

US00D653541S

(12) **United States Design Patent**
Foster et al.

(10) **Patent No.:** **US D653,541 S**
(45) **Date of Patent:** **** Feb. 7, 2012**

(54) **TRIGGER SPRAYER COVER**

(75) Inventors: **Donald Dean Foster**, ST. Charles, MO (US); **Philip Luther Nelson**, Wildwood, MO (US)

(73) Assignee: **MeadWestvaco Calmar, Inc.**, Grandview, MO (US)

(**) Term: **14 Years**

(21) Appl. No.: **29/373,510**

(22) Filed: **Apr. 18, 2011**

(51) **LOC (9) Cl.** **09-07**

(52) **U.S. Cl.** **D9/448**

(58) **Field of Classification Search** D9/685,
D9/682, 456, 448, 447, 435, 434, 415; D23/227,
D23/226, 213; 222/556-557, 402.13, 383.1,
222/281, 251, 182

See application file for complete search history.

(56) **References Cited**

U.S. PATENT DOCUMENTS

D381,581 S * 7/1997 Wadsworth D9/448

D419,875 S * 2/2000 Wadsworth et al. D9/448
D559,682 S * 1/2008 Meeker et al. D9/448
D600,119 S * 9/2009 Sweeton D9/448

* cited by examiner

Primary Examiner — Susan Bennett Hattan

(74) *Attorney, Agent, or Firm* — MWV Intellectual Property Group

(57) **CLAIM**

The ornamental design for a trigger sprayer cover, as shown and described.

DESCRIPTION

FIG. 1 is a side perspective view of a trigger sprayer cover, showing the new design. The broken line drawing shown in all of the following views depicts environmental subject matter only and forms no part of the claimed design;

FIG. 2 is a front elevation view thereof;

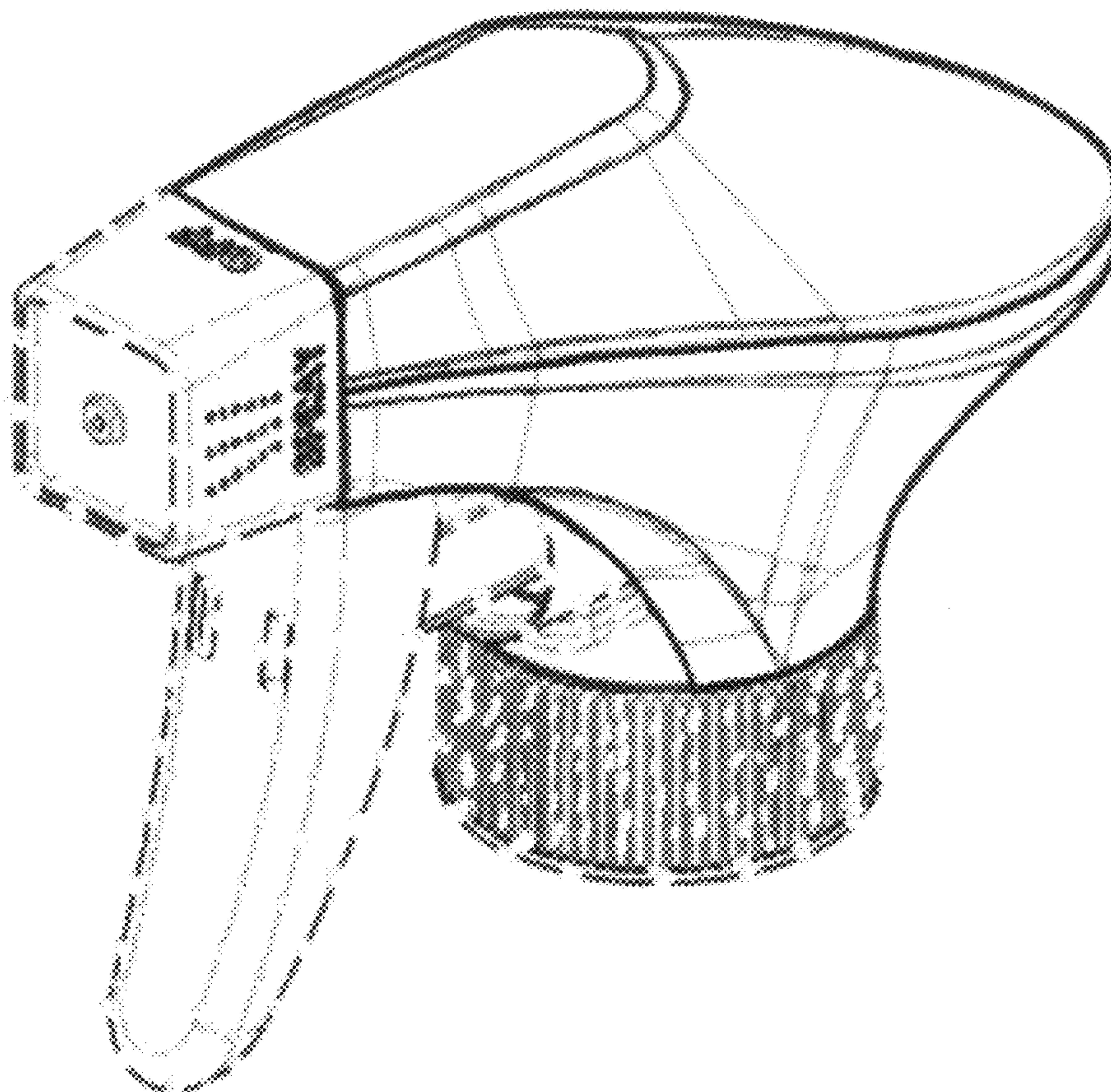
FIG. 3 is a rear elevation view thereof;

FIG. 4 is a side elevation view thereof;

FIG. 5 is a top plan view thereof; and,

FIG. 6 is an enlarged view of FIG. 1 thereof.

1 Claim, 2 Drawing Sheets



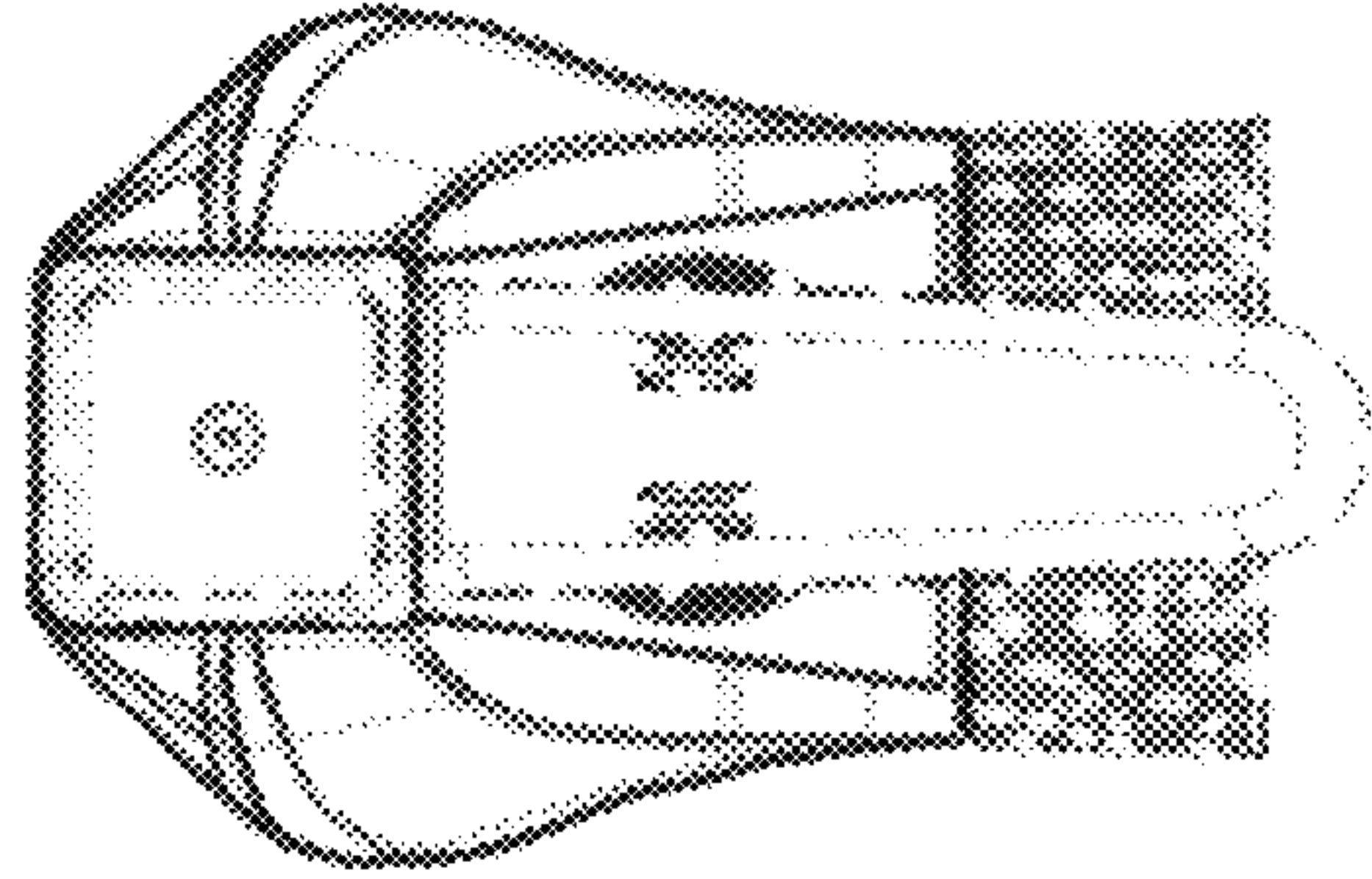


Figure 2

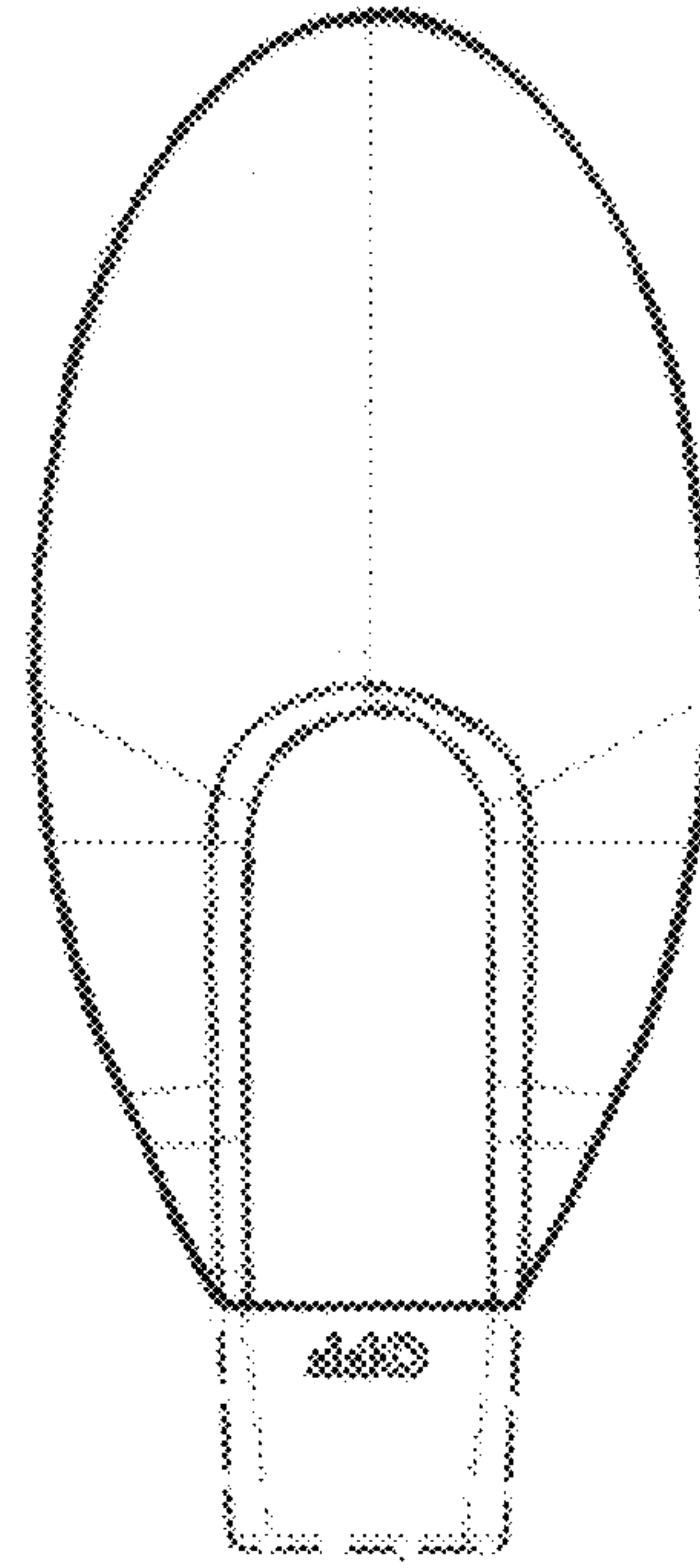


Figure 5

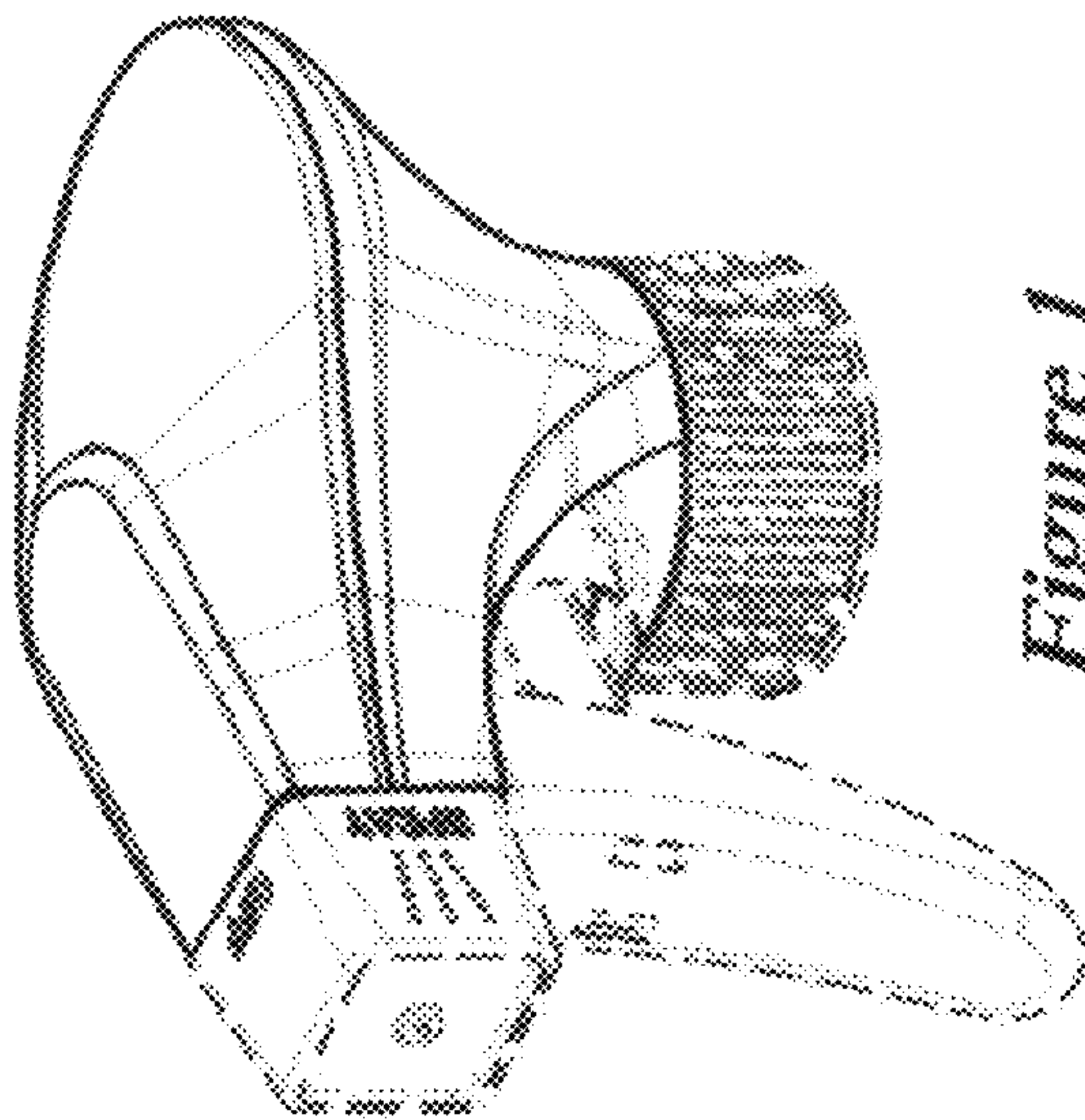


Figure 1

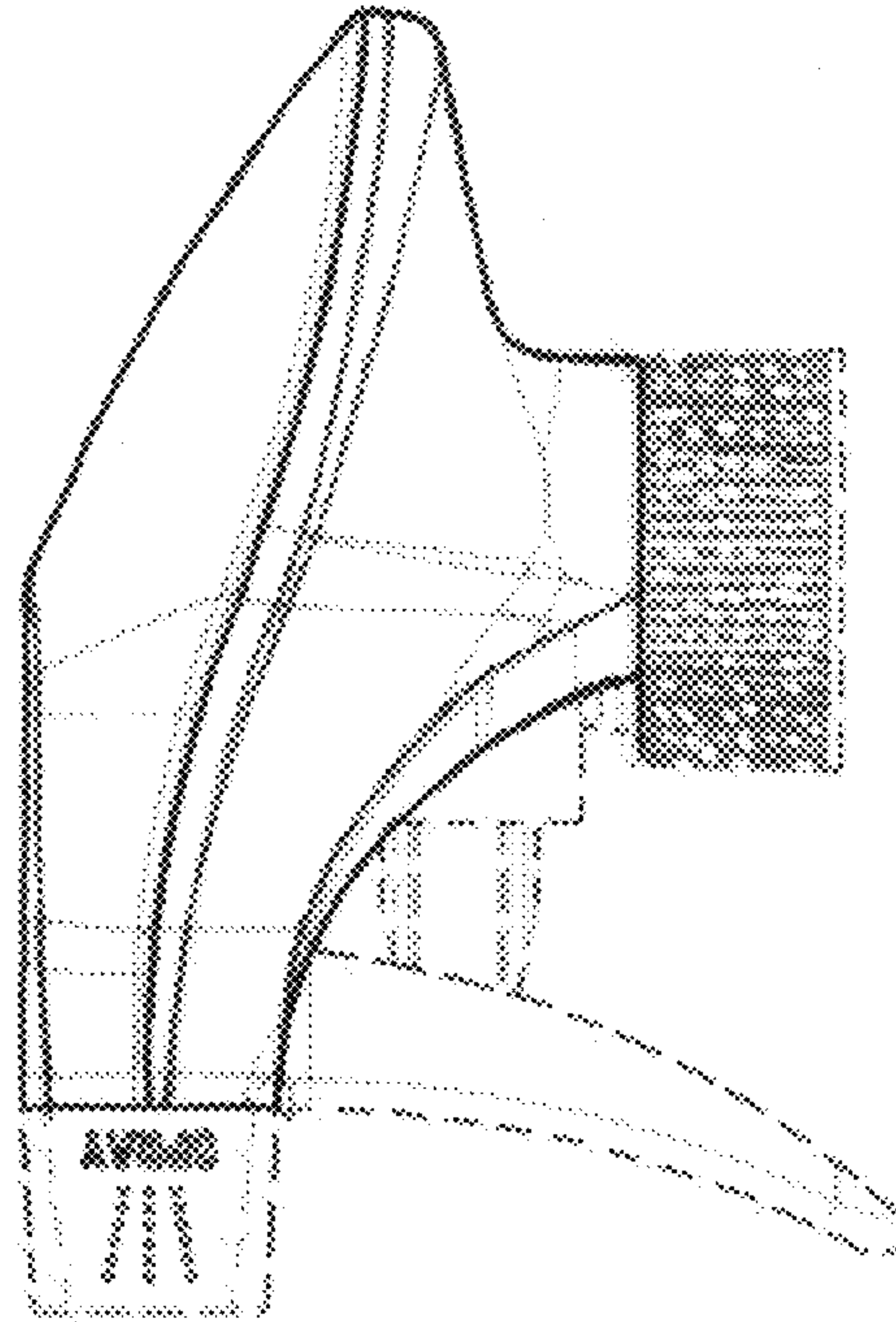


Figure 4

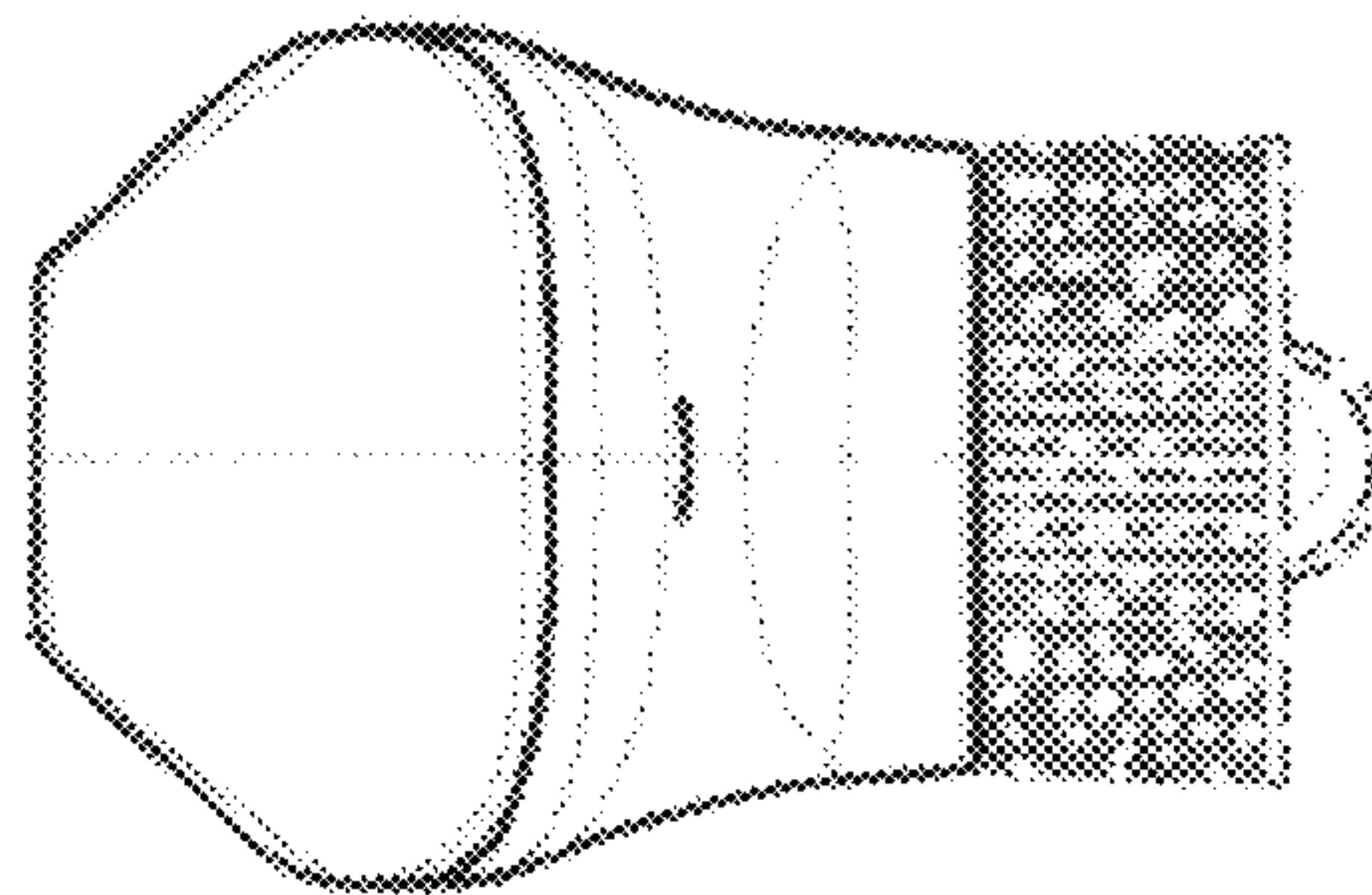


Figure 3

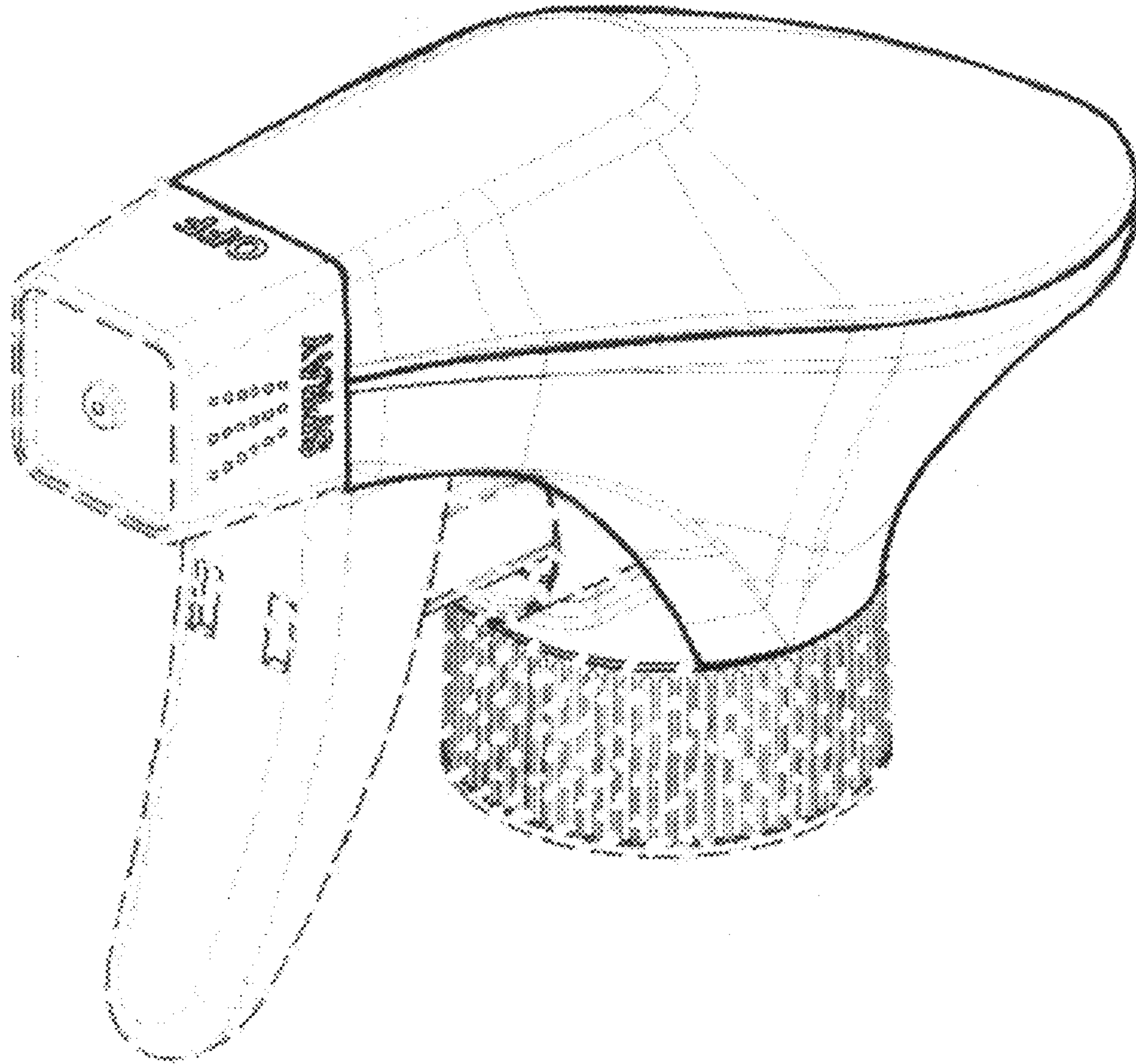


Figure 6