



US00D653539S

(12) **United States Design Patent**  
**Meyer et al.**

(10) **Patent No.:** **US D653,539 S**

(45) **Date of Patent:** **\*\* Feb. 7, 2012**

(54) **PACKAGE**

(75) Inventors: **Marc R. Meyer**, Grand Rapids, MI  
(US); **Gordon L. Beach**, Muskegon, MI  
(US); **David H. Bult**, Jenison, MI (US)

(73) Assignee: **Display Pack, Inc.**, Grand Rapids, MI  
(US)

(\*\*) Term: **14 Years**

(21) Appl. No.: **29/393,393**

(22) Filed: **Jun. 3, 2011**

(51) **LOC (9) Cl.** ..... **09-07**

(52) **U.S. Cl.** ..... **D9/435; D9/453**

(58) **Field of Classification Search** ..... D9/761,  
D9/737, 732, 707-710, 456, 453, 452, 435,  
D9/434, 425, 424, 416, 414; D3/304, 264;  
222/94, 107; 206/522, 219, 205  
See application file for complete search history.

(56) **References Cited**

U.S. PATENT DOCUMENTS

D238,148 S *	12/1975	Pilot .....	D7/629
D302,774 S *	8/1989	Murphy .....	D7/629
D348,394 S *	7/1994	Dreyer .....	D9/425
D371,305 S *	7/1996	Kruger .....	D9/435
D427,769 S *	7/2000	Zimmerman .....	D3/302
D513,175 S *	12/2005	Fielder et al. ....	D9/416
D522,355 S *	6/2006	Castellanos et al. ....	D9/425
D598,740 S *	8/2009	Auer et al. ....	D9/424
D600,113 S *	9/2009	Edwards et al. ....	D9/425
D614,023 S *	4/2010	Amos et al. ....	D9/416
D622,588 S *	8/2010	Wichmann et al. ....	D9/424

\* cited by examiner

Primary Examiner — Susan Bennett Hattan

(74) *Attorney, Agent, or Firm* — Warner Norcross & Judd LLP

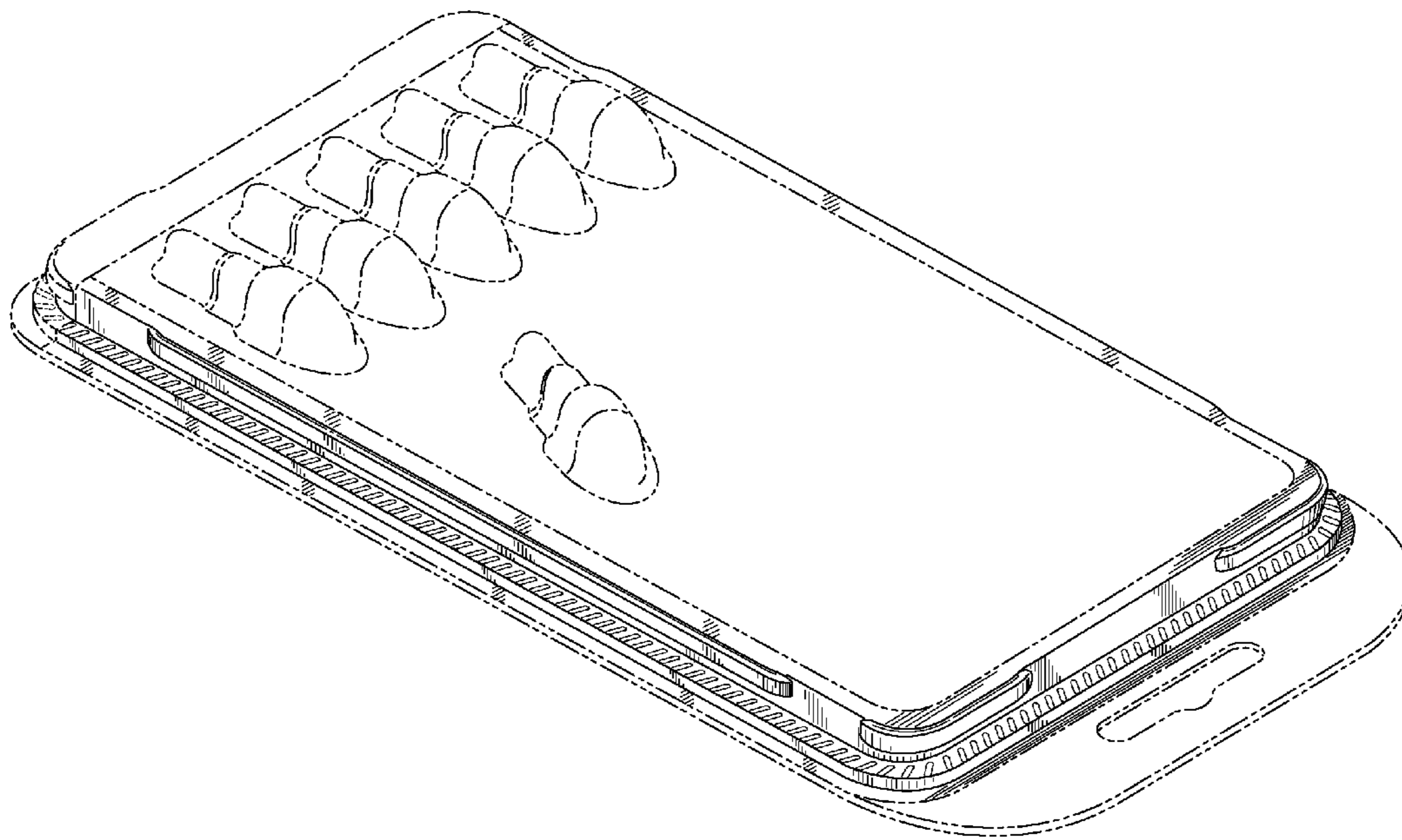
(57) **CLAIM**

The ornamental design for a package, as shown and described.

**DESCRIPTION**

FIG. 1 is a top, front perspective view of a package;  
 FIG. 2 is a top view thereof;  
 FIG. 3 is a bottom view thereof;  
 FIG. 4 is a front view thereof; the rear view being a minor image thereof;  
 FIG. 5 is a left side view thereof;  
 FIG. 6 is a right side view thereof;  
 FIG. 7 is an exploded perspective view of the package showing the front and back parts separated;  
 FIG. 8 is a front view of the back part;  
 FIG. 9 is a perspective view of a portion of the package enlarged to show details; and,  
 FIG. 10 is a cross-sectional view of the package, taken in the direction of line 10-10 on FIG. 4.  
 FIGS. 1-10 show portions of the package in broken lines. The broken line portions are shown for environmental purposes and form no part of the claimed design. The broken line segments immediately adjacent the solid line portions of the design define the boundary of the design, but do not themselves form part of the claimed design.  
 FIG. 10 shows a sectional view of the package. The sectional view is provided to show the interrelationship of the front part and the back part of the package, which may not be clear from the other figures. The design extends only to the shaded surface portions of the front part and the back part and does not extend to the interior of the package.

**1 Claim, 7 Drawing Sheets**



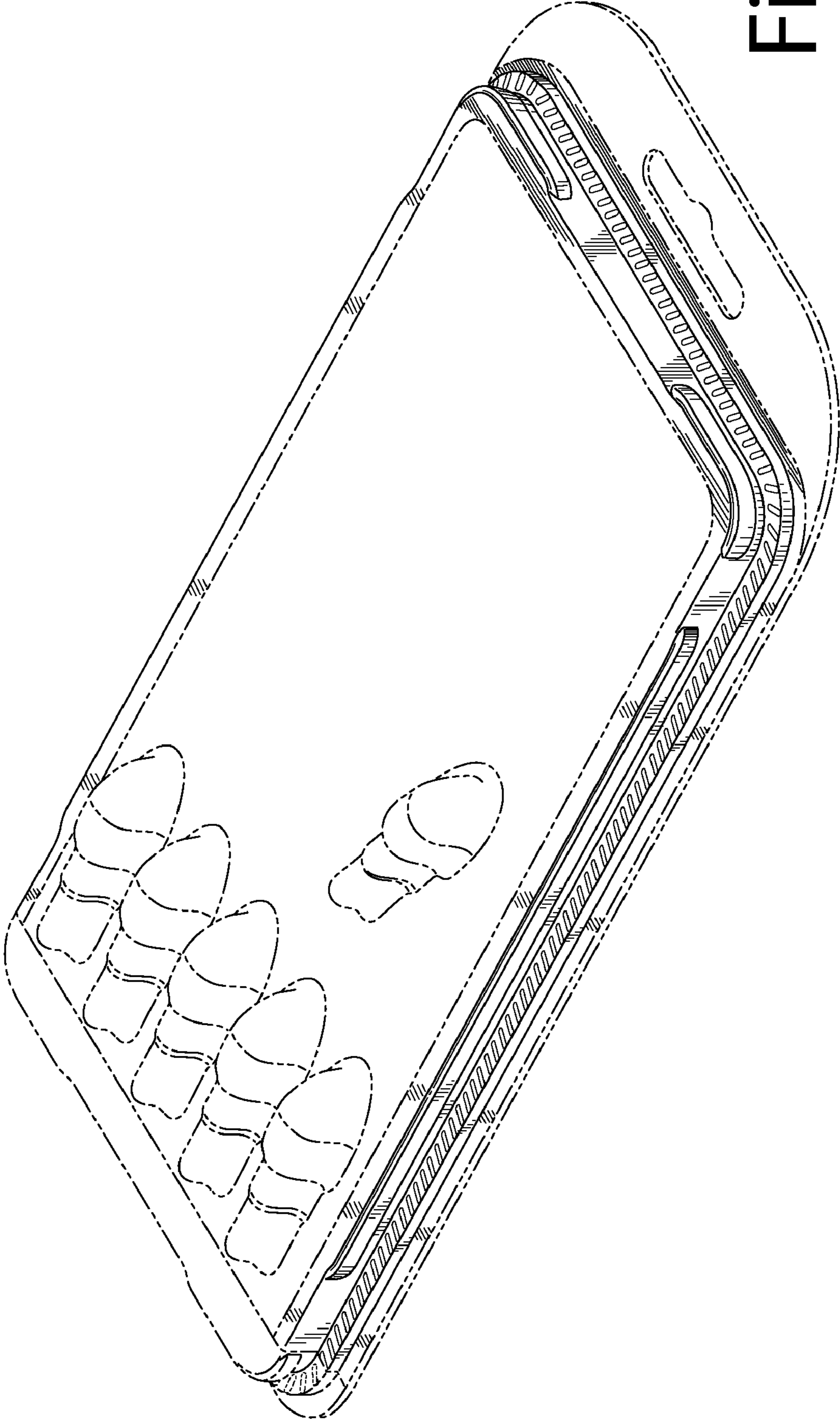


Fig. 1

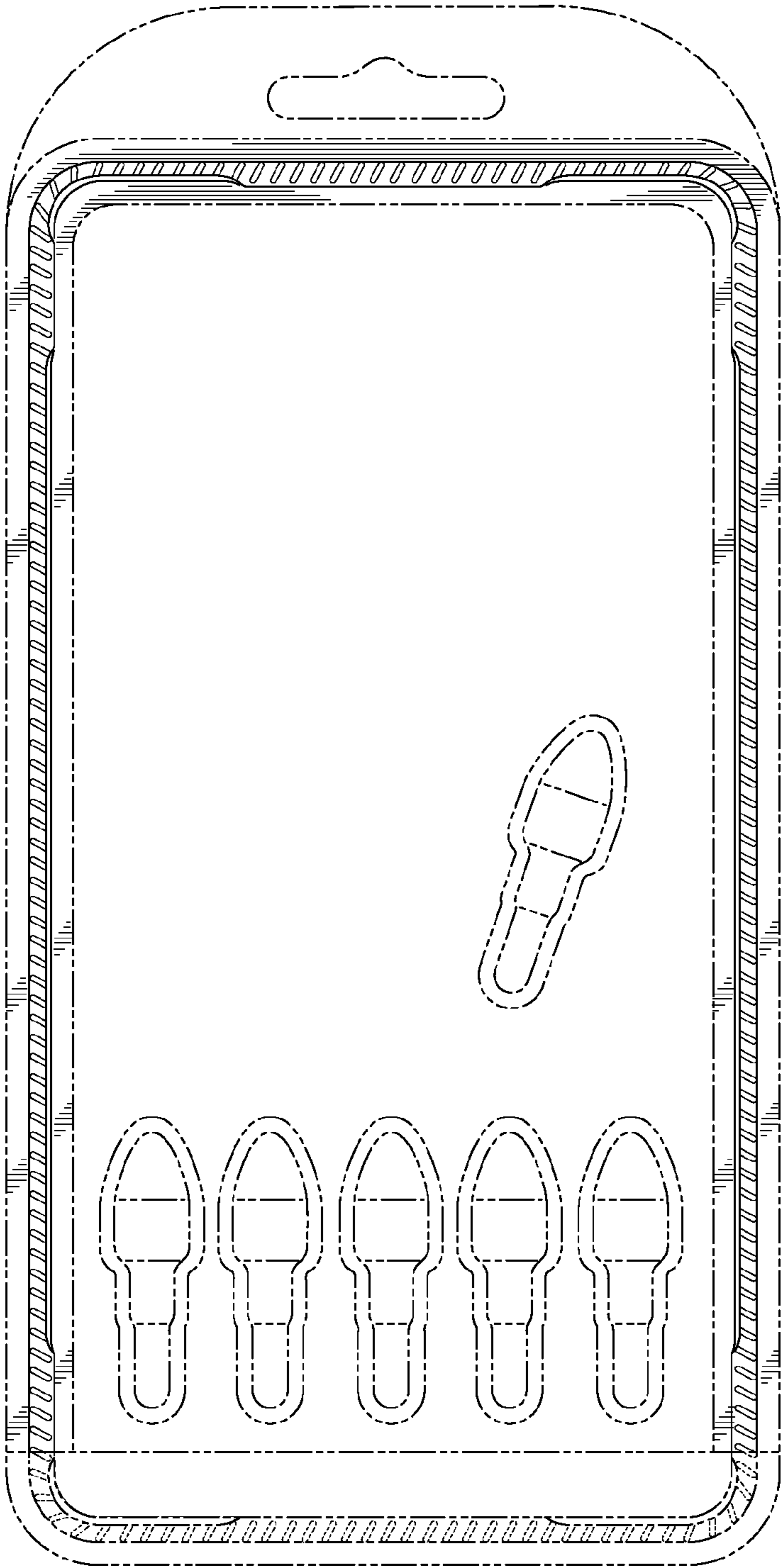


Fig. 2

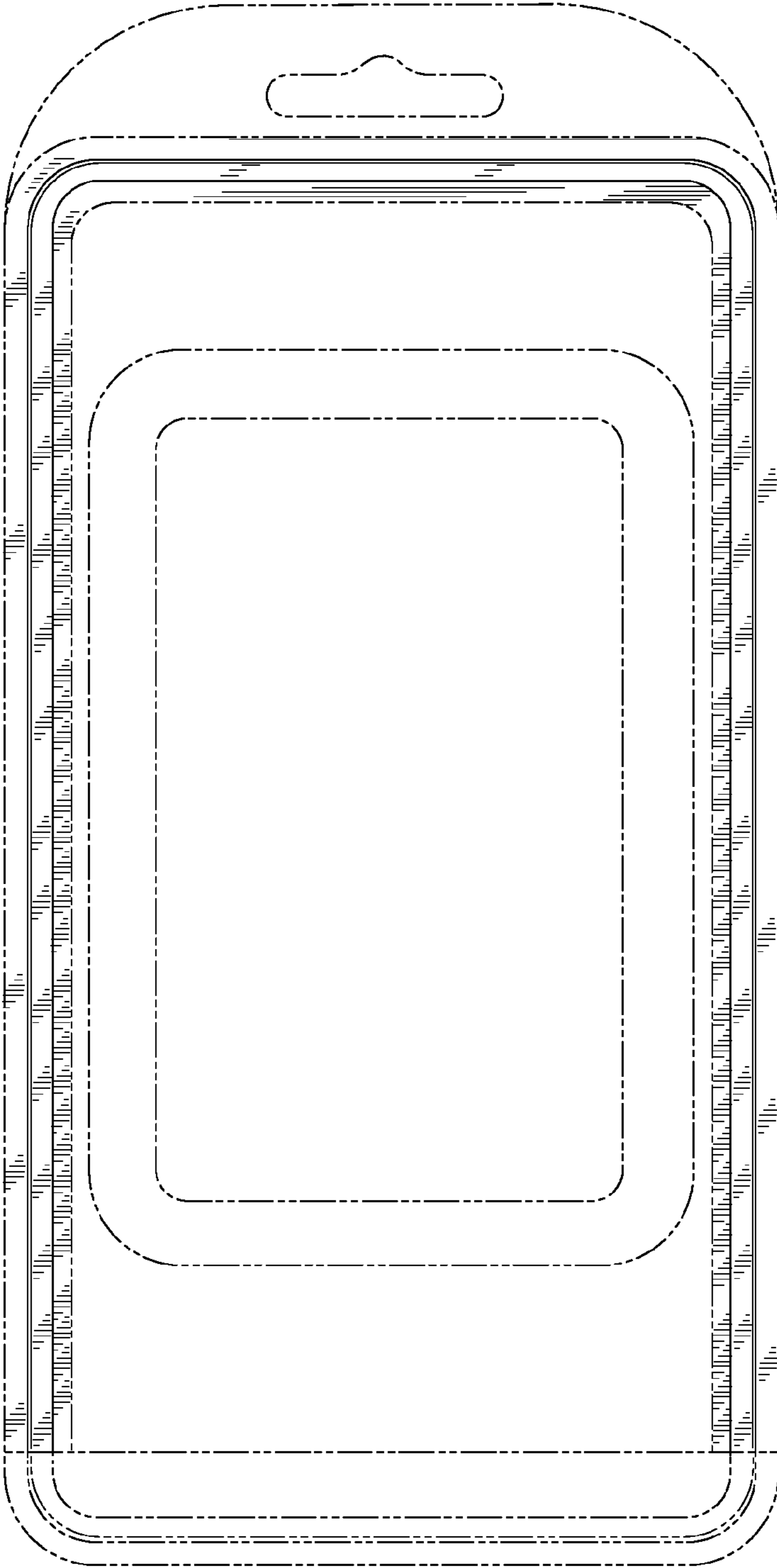


Fig. 3

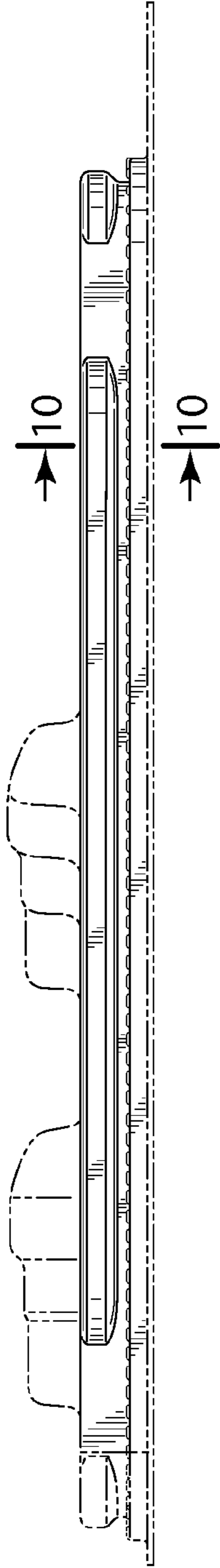


Fig. 4

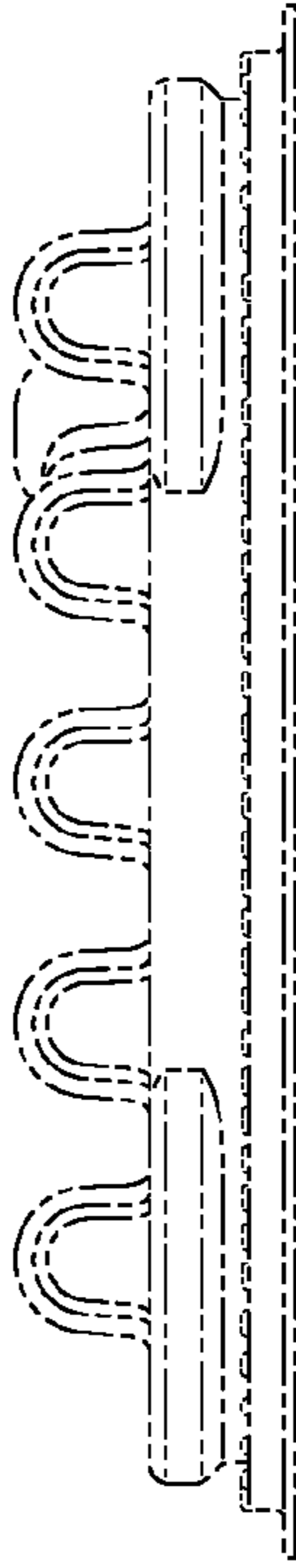


Fig. 5

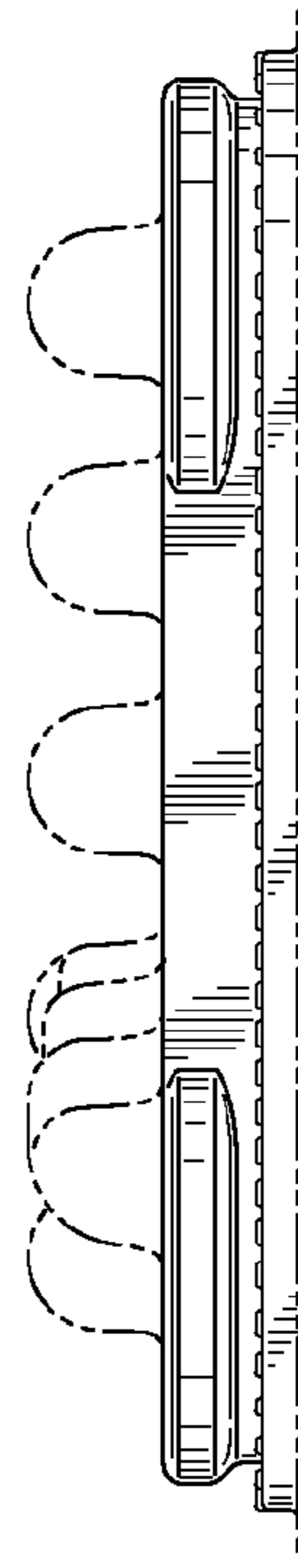


Fig. 6

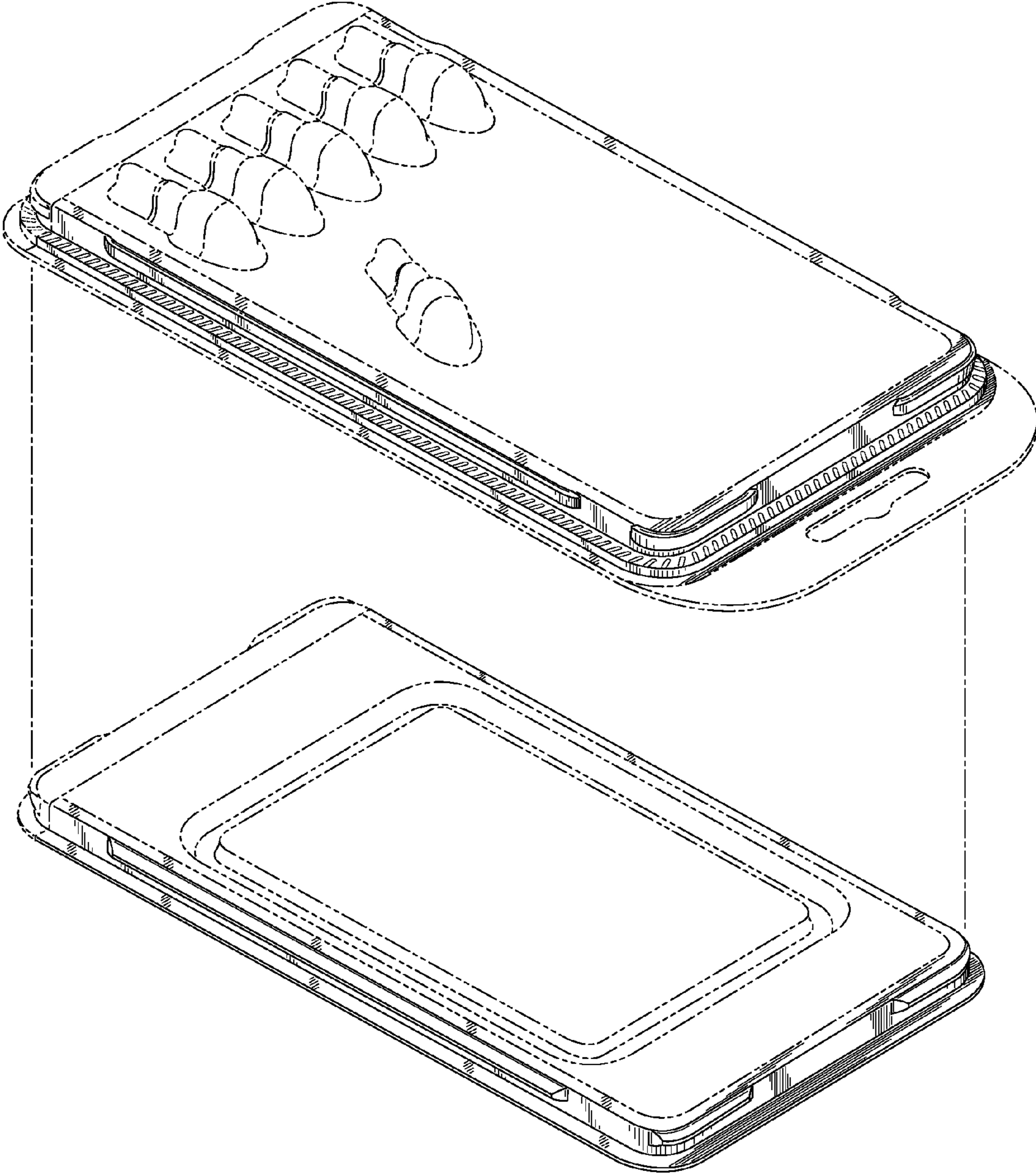


Fig. 7



Fig. 8

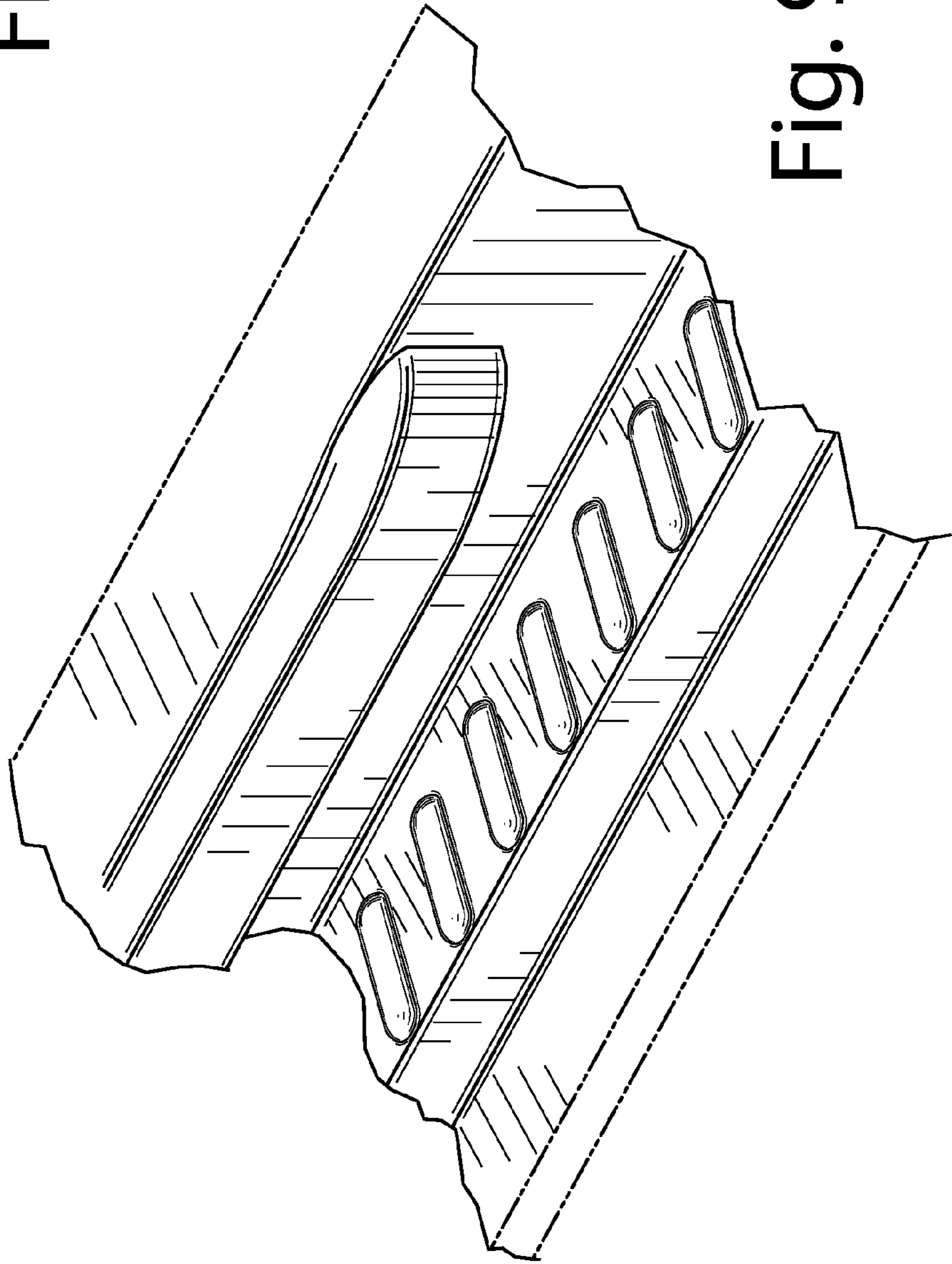


Fig. 9

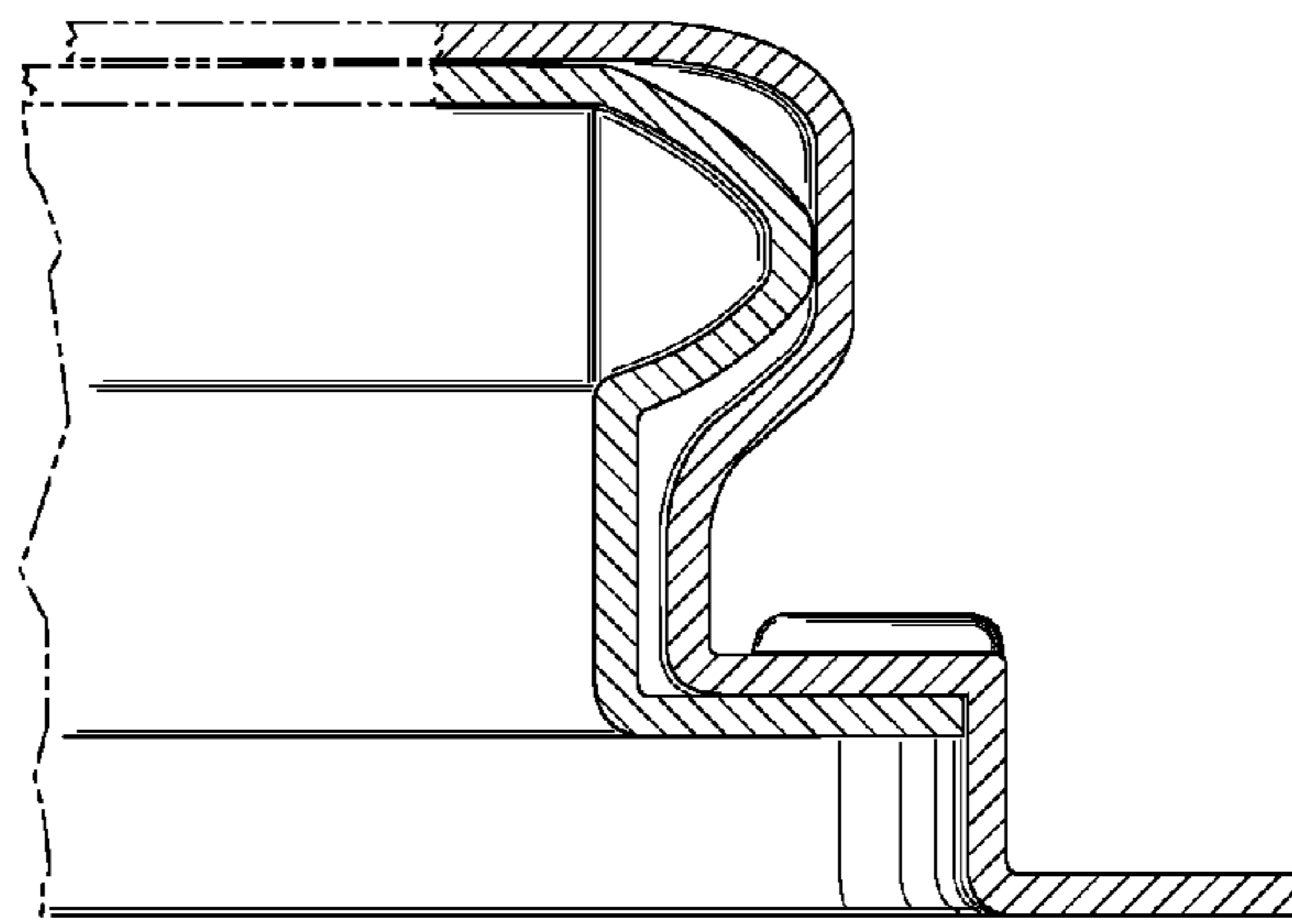


Fig. 10