



US00D653538S

(12) **United States Design Patent**
Toms et al.

(10) **Patent No.:** **US D653,538 S**
(45) **Date of Patent:** **** Feb. 7, 2012**

(54) **BEVERAGE CONTAINER NECK WITH END**

(75) Inventors: **Ray A. Toms**, Golden, CO (US); **Mark Jacober**, Arvada, CO (US)

(73) Assignee: **MillerCoors, LLC**, Golden, CO (US)

(**) Term: **14 Years**

(21) Appl. No.: **29/365,732**

(22) Filed: **Jul. 14, 2010**

(51) **LOC (9) Cl.** **09-07**

(52) **U.S. Cl.** **D9/435; D9/438; D9/454**

(58) **Field of Classification Search** D9/772,
D9/454, 450, 449, 447, 438, 436, 435, 434;
D7/396.2, 392.1; 220/713, 711, 703, 377,
220/273, 270, 256.1, 254.1

See application file for complete search history.

(56) **References Cited**

U.S. PATENT DOCUMENTS

D200,077	S	*	1/1965	Stec	D9/438
D221,930	S	*	9/1971	Saunders	D9/438
D224,209	S		7/1972	Kinkel		
D226,071	S	*	1/1973	Saunders	D9/438
3,715,050	A	*	2/1973	Batchelar et al.	220/270
D240,601	S		7/1976	Newman		
D262,439	S		12/1981	Atkinson et al.		
D263,024	S		2/1982	Atkinson et al.		
4,394,927	A	*	7/1983	Zysset	220/273
4,406,378	A	*	9/1983	Zysset	220/273
D274,983	S	*	8/1984	Dart et al.	D9/447
D298,918	S	*	12/1988	Kurz	D9/435
D312,785	S		12/1990	Tucker		

5,887,742	A		3/1999	Lewis		
D422,911	S		4/2000	Huang		
D434,983	S		12/2000	Hurst		
D464,264	S		10/2002	Edson et al.		
D523,749	S		6/2006	Kolanus et al.		
D632,562	S	*	2/2011	Toms	D9/434
2001/0019058	A1		9/2001	Song		

OTHER PUBLICATIONS

Three photos of cans.

* cited by examiner

Primary Examiner — Susan Bennett Hattan

(74) *Attorney, Agent, or Firm* — Sheridan Ross, P.C.

(57) **CLAIM**

The ornamental design for a beverage container neck with end, as shown and described.

DESCRIPTION

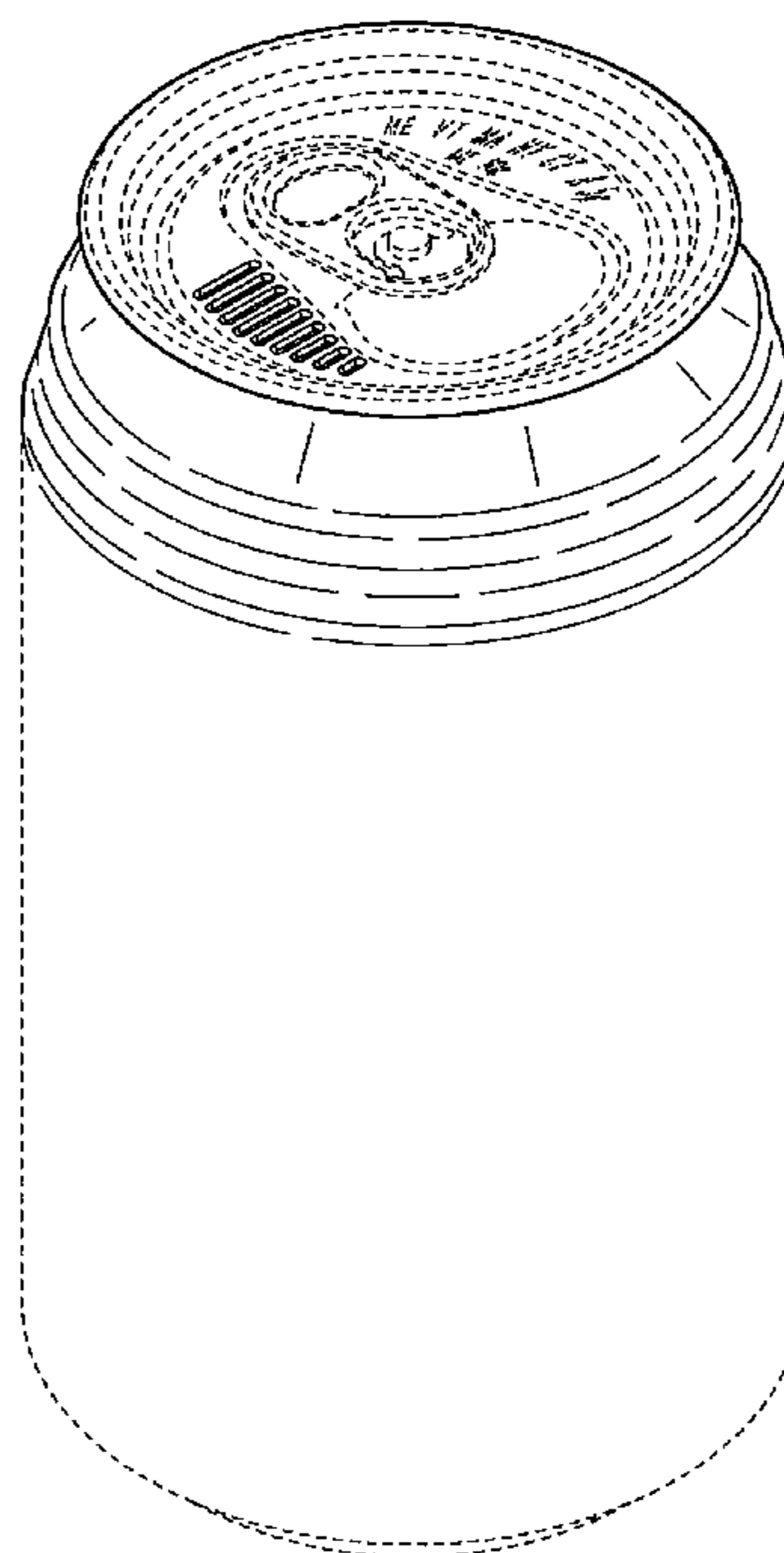
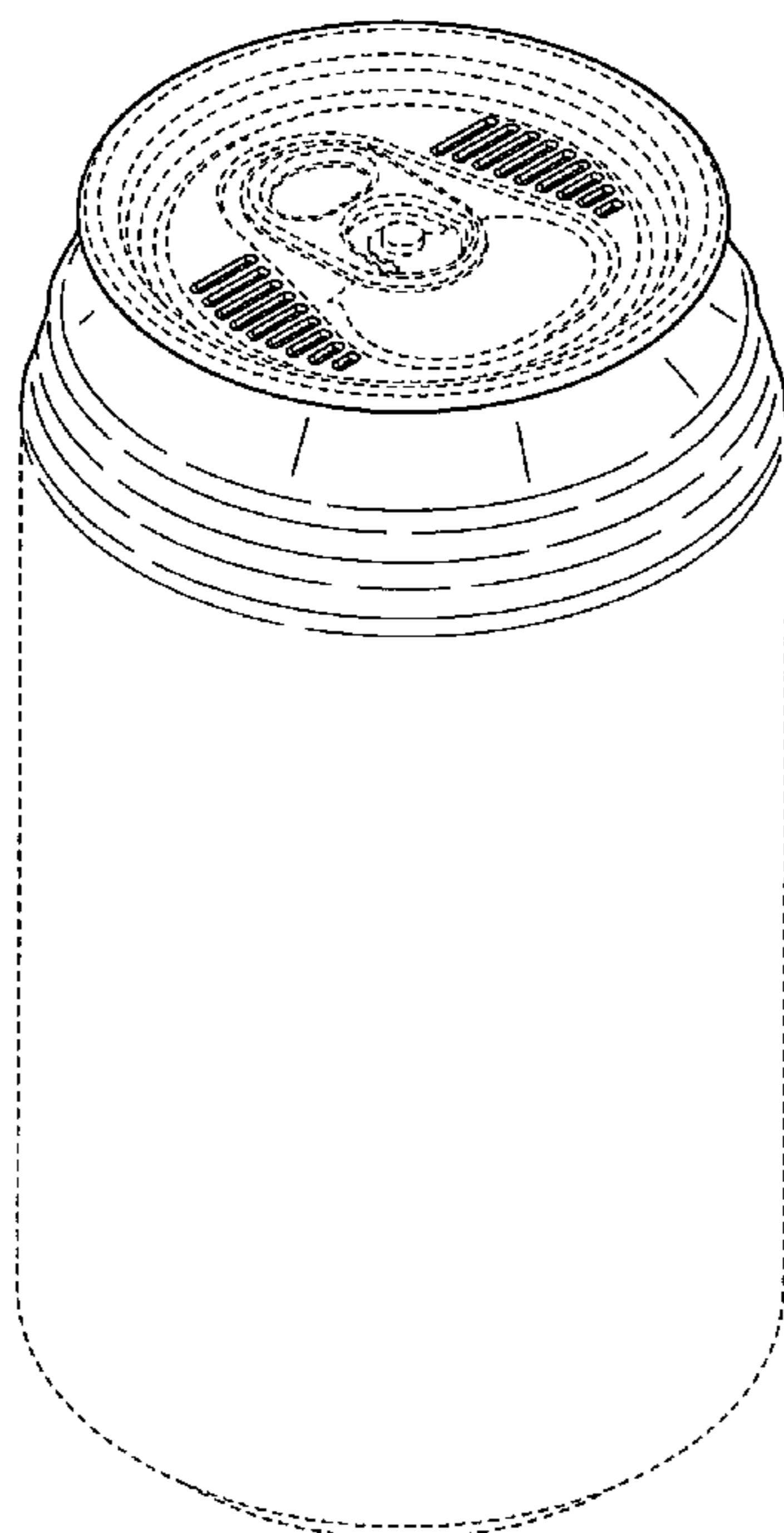
FIG. 1 is a perspective view of the beverage container neck with end in a first embodiment, the broken lines shown in the Figures representing environment and forming no part of the claimed design;

FIG. 2 is a front elevation view of the invention illustrated in FIG. 1, the left, right, and rear elevation views being the same; FIG. 3 is a top plan view of the invention illustrated in FIG. 1; FIG. 4 is a perspective view of the beverage container neck with end in a second embodiment;

FIG. 5 is a front elevation view of the invention illustrated in FIG. 4, the left, right, and rear elevation views being the same; and,

FIG. 6 is a top plan view of the invention illustrated in FIG. 5.

1 Claim, 6 Drawing Sheets



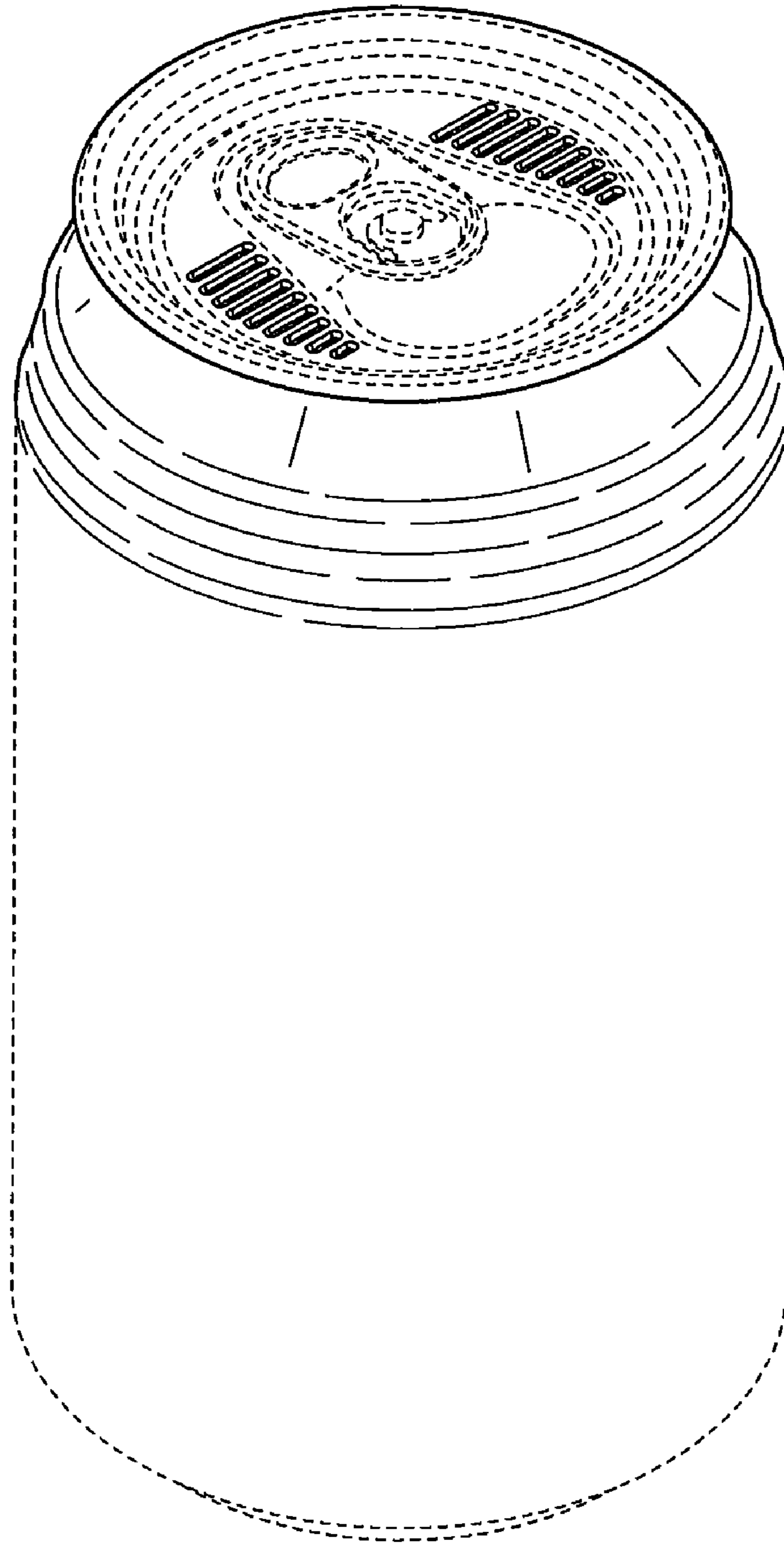


FIG.1

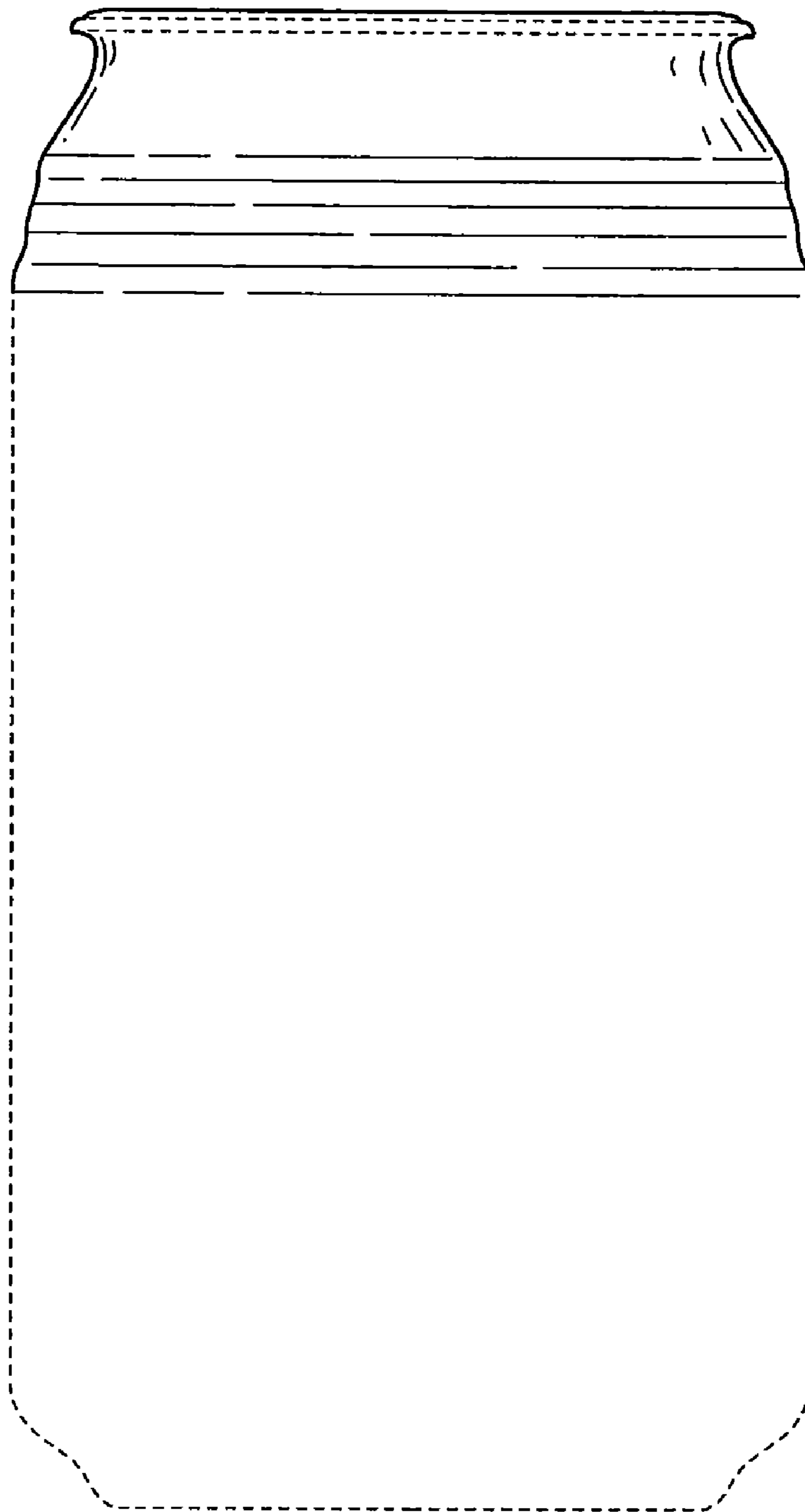


FIG. 2

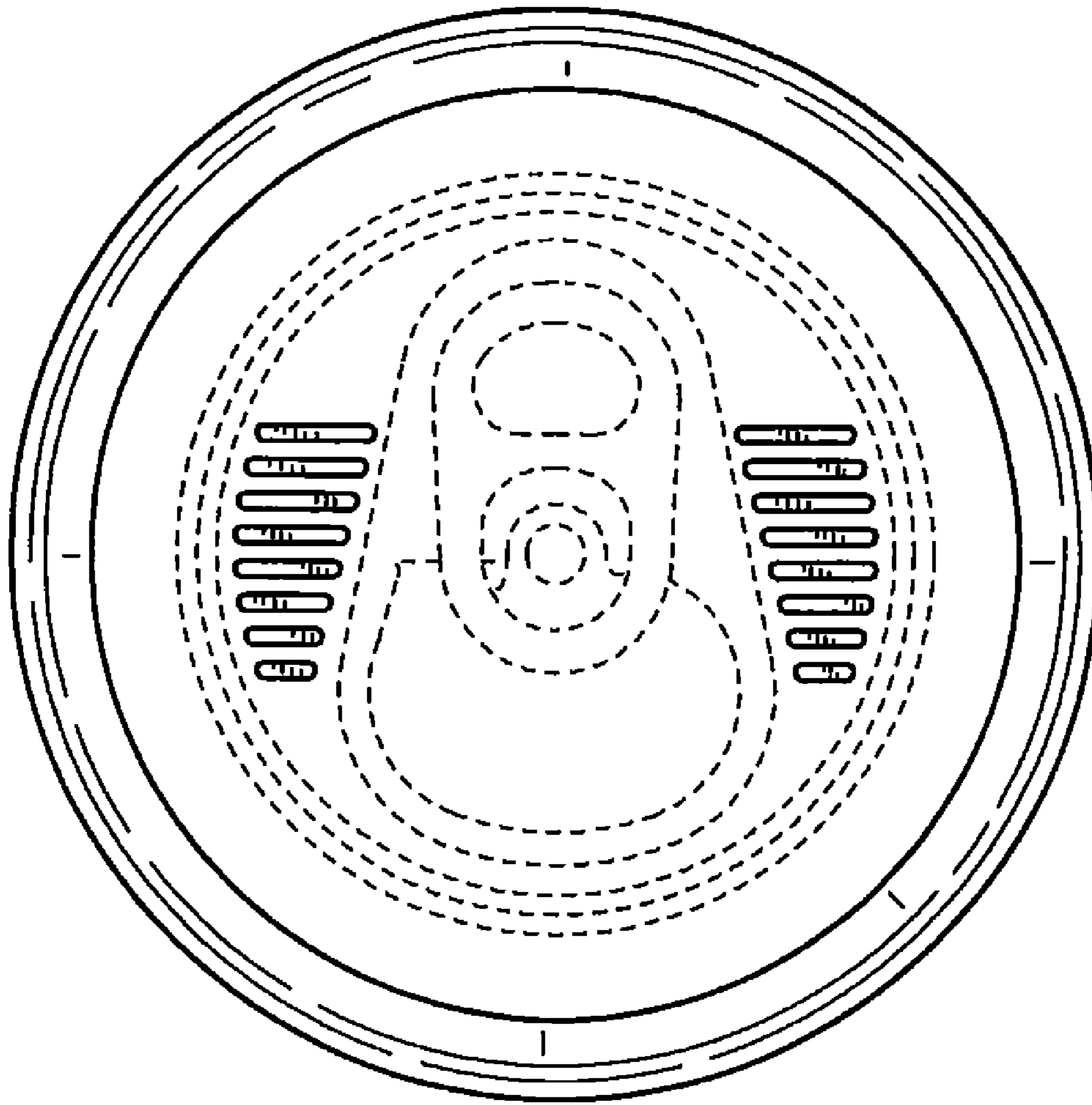


FIG. 3

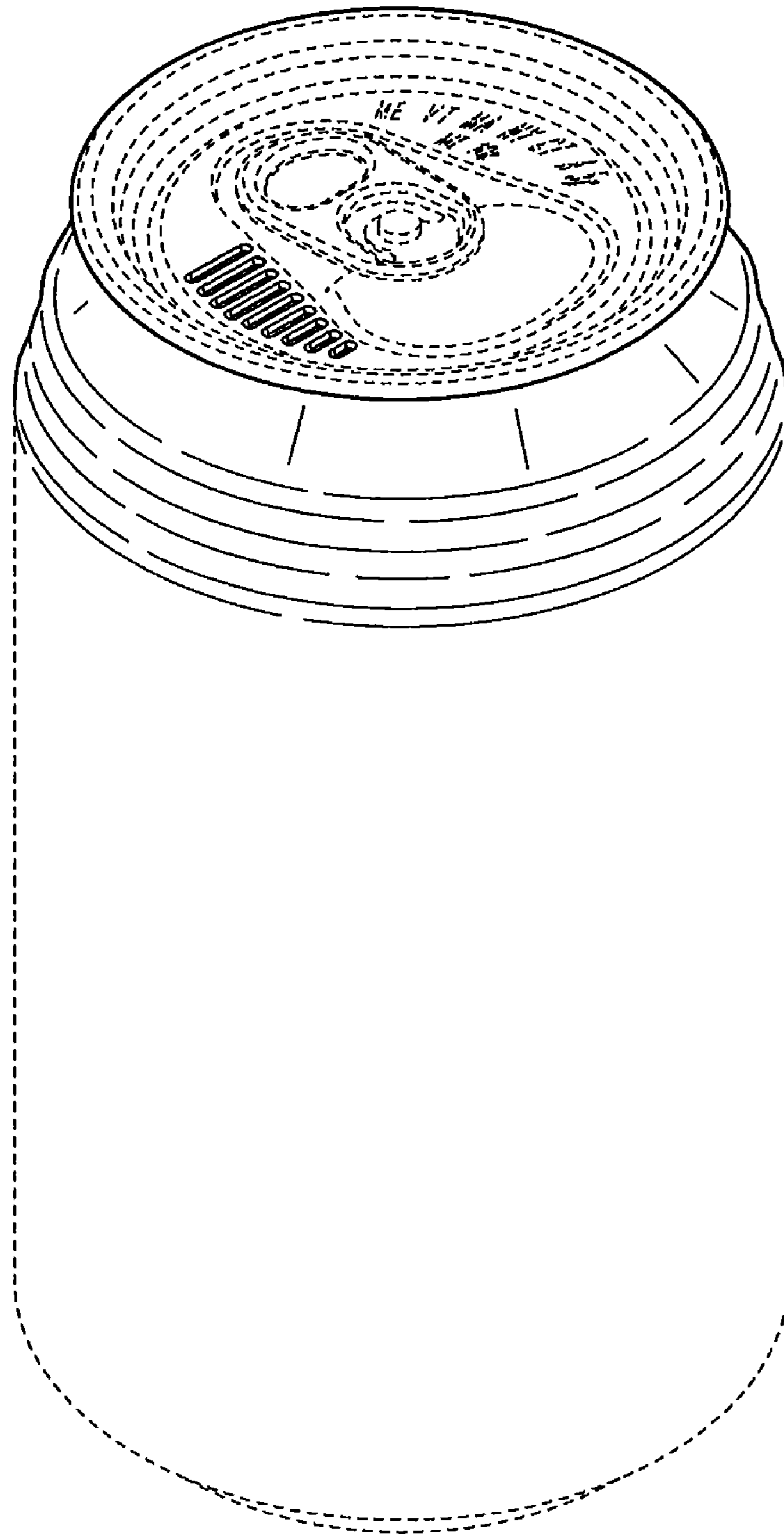


FIG.4



FIG. 5

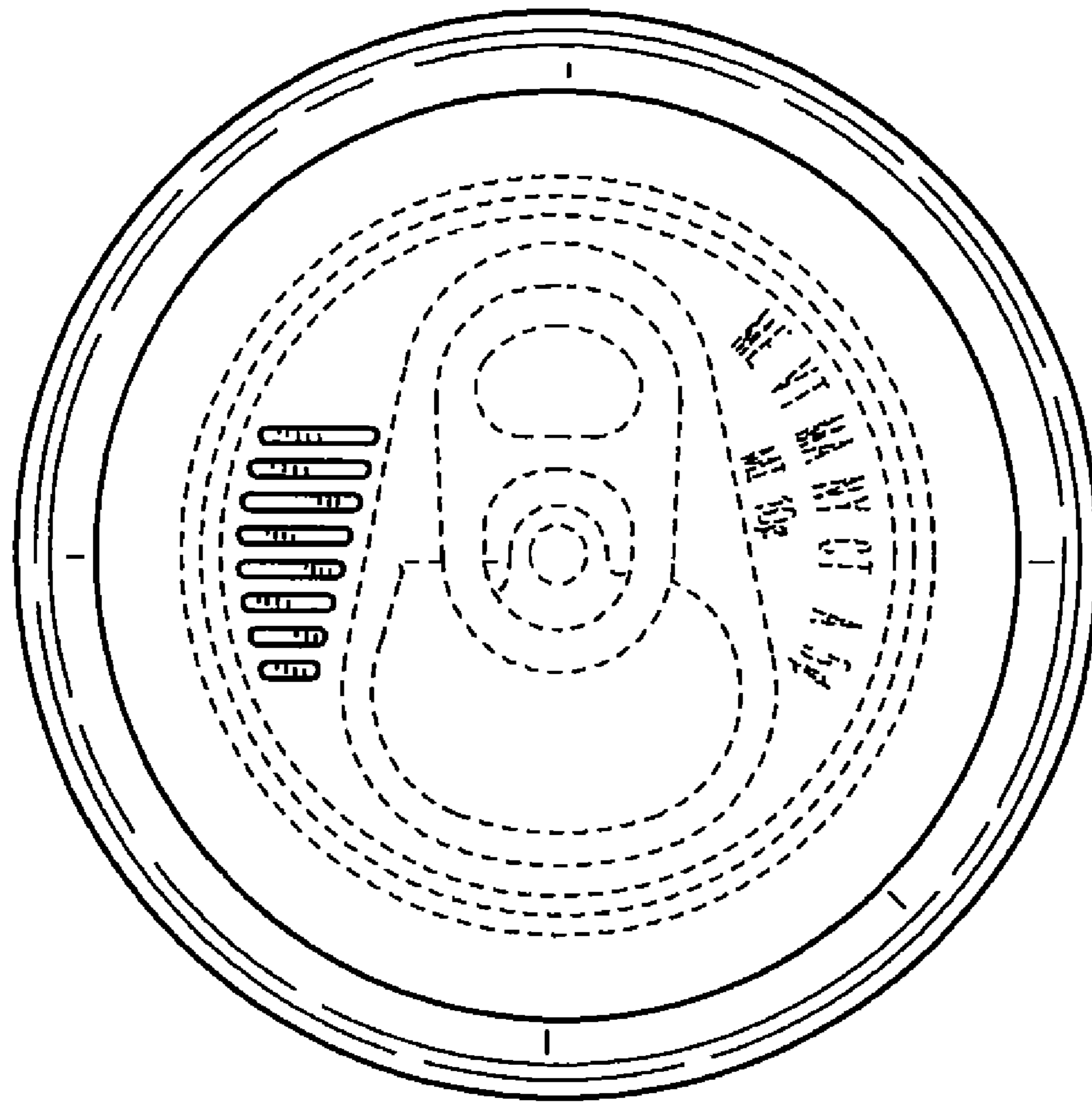


FIG. 6