



US00D653537S

(12) **United States Design Patent**
Lee et al.

(10) **Patent No.:** **US D653,537 S**
(45) **Date of Patent:** **** Feb. 7, 2012**

- (54) **CONTAINER**
- (75) Inventors: **Richard M. Lee**, Volcano, CA (US);
Thomas Guschke, Palm Beach Gardens,
FL (US)
- (73) Assignee: **Juno Technologies, LLC**, Palm Beach
Gardens, FL (US)
- (**) Term: **14 Years**
- (21) Appl. No.: **29/398,349**
- (22) Filed: **Jul. 29, 2011**

Related U.S. Application Data

- (63) Continuation of application No. 29/384,860, filed on
Feb. 4, 2011, now Pat. No. Des. 644,507, which is a
continuation of application No. 12/823,238, filed on
Jun. 25, 2010.
- (51) **LOC (9) Cl.** **09-03**
- (52) **U.S. Cl.** **D9/432**
- (58) **Field of Classification Search** D9/414-418,
D9/420-424, 426, 432, 435, 436; D3/201,
D3/273, 282, 294; 229/125.08, 125.09, 125.14,
229/123.1; 220/253, 810, 254.1-254.7, 836,
220/376, 377, 259.1, DIG. 12; 206/806,
206/822

See application file for complete search history.

(56) **References Cited**

U.S. PATENT DOCUMENTS

349,761 A	9/1886	Stebbins
409,029 A	8/1889	Elliott
792,104 A	6/1905	Woerner
2,086,534 A	7/1937	Byrne
2,103,520 A	12/1937	Donnelly
2,172,547 A	9/1939	Ruth
2,353,629 A	7/1944	Apfelbaum
2,426,911 A	9/1947	Williamson
2,492,864 A	12/1949	Hermani
2,580,096 A	12/1951	Holt et al.
2,631,763 A	3/1953	Sutton
D174,300 S	3/1955	Waterman

3,058,586 A	10/1962	Touart
3,095,085 A	6/1963	Meijer
3,286,872 A	11/1966	Burdick, Jr.
3,305,145 A	2/1967	Tebbutt
3,355,067 A	11/1967	Espinal
3,678,884 A	7/1972	Robbins
3,788,517 A	1/1974	Eannarino et al.
3,863,804 A	2/1975	Infante-Diaz et al.
3,872,996 A	3/1975	Dogliotti
3,877,573 A *	4/1975	Scott et al. 206/236
3,889,847 A	6/1975	Uroshevich et al.
D238,469 S *	1/1976	Lanois D6/518
4,113,098 A	9/1978	Howard
D249,931 S	10/1978	Russert
D249,932 S	10/1978	Russert
4,126,224 A	11/1978	Laauwe et al.
4,154,353 A	5/1979	Hoo
4,231,378 A *	11/1980	Stevens 131/328
4,483,095 A	11/1984	Webinger
D278,207 S	4/1985	McLaughlin
4,561,544 A	12/1985	Reeve
4,591,074 A	5/1986	Kennings
D286,506 S	11/1986	Poore et al.
D298,512 S	11/1988	Gotlib

(Continued)

Primary Examiner — Thomas Johannes

(74) *Attorney, Agent, or Firm* — Panitch Schwarze Belisario
& Nadel LLP

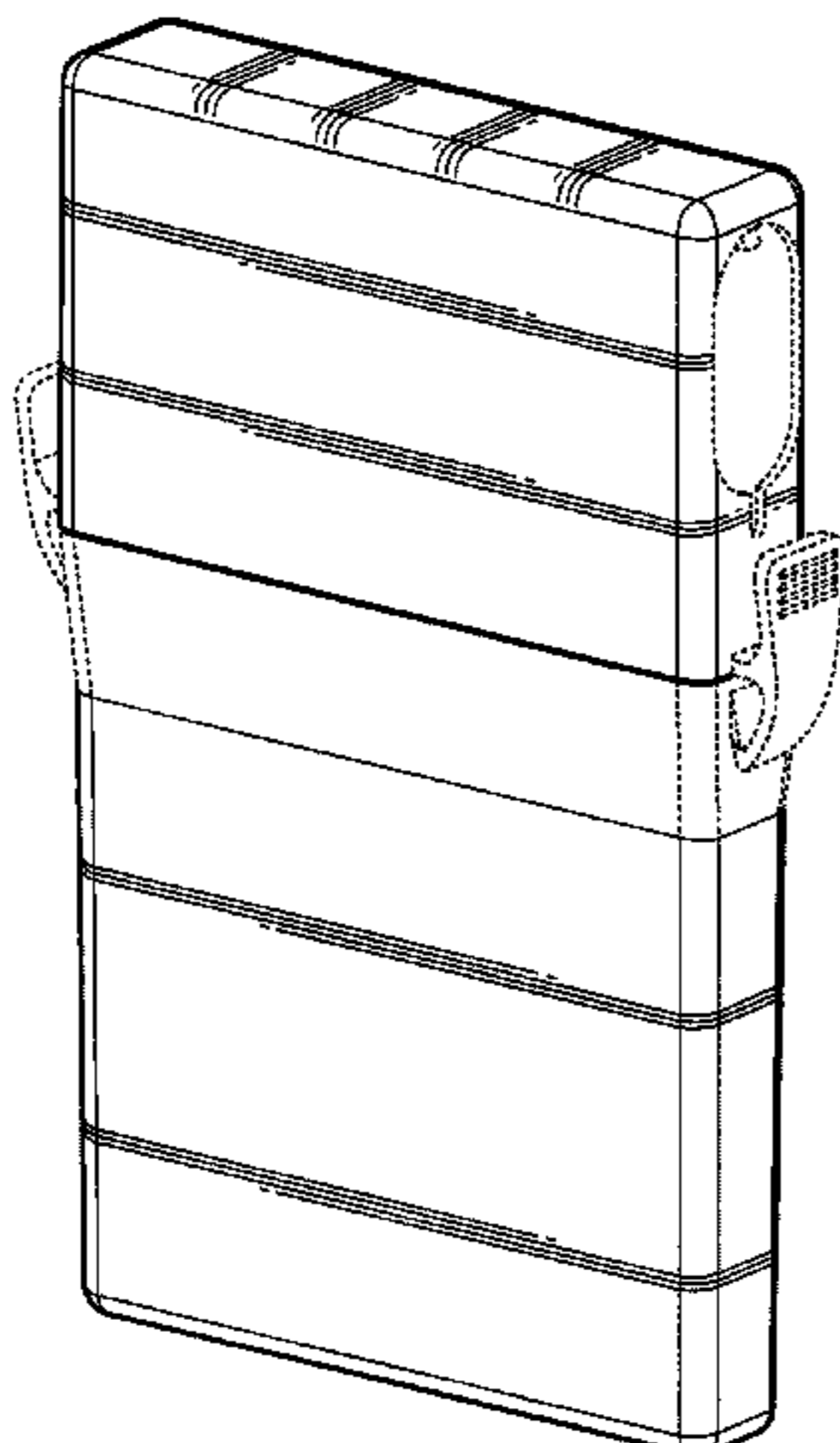
(57) **CLAIM**

The ornamental design for a container, as shown and
described.

DESCRIPTION

FIG. 1 is a front perspective view of a container in accordance
with our new design;
FIG. 2 is a front elevation view thereof;
FIG. 3 is a right side elevation view thereof;
FIG. 4 is a rear elevation view thereof;
FIG. 5 is a left side elevation view thereof;
FIG. 6 is a top plan view thereof; and,
FIG. 7 is a bottom plan view thereof.
The broken lines in the figures show unclaimed subject matter
only and form no part of the claimed design.

1 Claim, 4 Drawing Sheets



US D653,537 S

Page 2

U.S. PATENT DOCUMENTS

4,893,728	A	1/1990	Jennings et al.				
4,971,203	A	11/1990	Weinstein				
5,080,222	A	1/1992	McNary				
5,080,227	A *	1/1992	Focke	206/273			
5,082,137	A	1/1992	Weinstein				
D324,175	S	2/1992	Beck				
5,099,999	A	3/1992	Balien				
5,141,129	A	8/1992	Jennings				
5,169,003	A	12/1992	Traupman				
D332,347	S	1/1993	Raadt et al.				
5,275,291	A	1/1994	Sledge				
5,285,897	A	2/1994	Ozaki				
5,405,011	A	4/1995	Haber et al.				
5,405,047	A	4/1995	Hansen				
D364,344	S	11/1995	Shaw				
D375,455	S	11/1996	Uhl et al.				
5,579,933	A	12/1996	Hofmann				
5,709,306	A	1/1998	Hofmann				
5,718,347	A	2/1998	Walker et al.				
5,947,345	A	9/1999	Hofmann				
6,095,364	A	8/2000	Dickie et al.				
D453,680	S *	2/2002	Grintz et al.	D9/418			
D485,754	S	1/2004	Fielder et al.				
6,672,471	B2	1/2004	Cross				
6,953,131	B2	10/2005	Devine				
D513,584	S	1/2006	Solowiejko et al.				
D523,171	S *	6/2006	Mitten et al.	D27/189			
D523,743	S	6/2006	Solowiejko et al.				
D526,761	S *	8/2006	Hoffman	D1/104			
7,140,511	B2	11/2006	Baker et al.				
D542,661	S	5/2007	Adler et al.				
D545,186	S	6/2007	Liebe et al.				
D549,573	S	8/2007	Liebe et al.				
D554,990	S	11/2007	Terrasi				
7,311,205	B2	12/2007	Adler et al.				
D568,736	S	5/2008	Born et al.				
7,413,082	B2	8/2008	Adler et al.				
D594,742	S *	6/2009	Meier et al.	D9/432			
D598,295	S	8/2009	Miceli et al.				
D607,320	S *	1/2010	Tearle	D9/423			
D614,025	S *	4/2010	Paredes et al.	D9/432			
7,708,142	B2	5/2010	Ehrlund				
D616,753	S	6/2010	Beam et al.				
7,757,843	B2	7/2010	Katsis				
D627,222	S *	11/2010	Oravez et al.	D9/432			
2007/0284277	A1	12/2007	Gnepper				
2008/0011761	A1	1/2008	Gnepper et al.				
2009/0266837	A1	10/2009	Gelardi et al.				
2011/0000814	A1	1/2011	Lee et al.				
2011/0000931	A1	1/2011	Gelardi et al.				
2011/0067363	A1	3/2011	Sprada et al.				

* cited by examiner

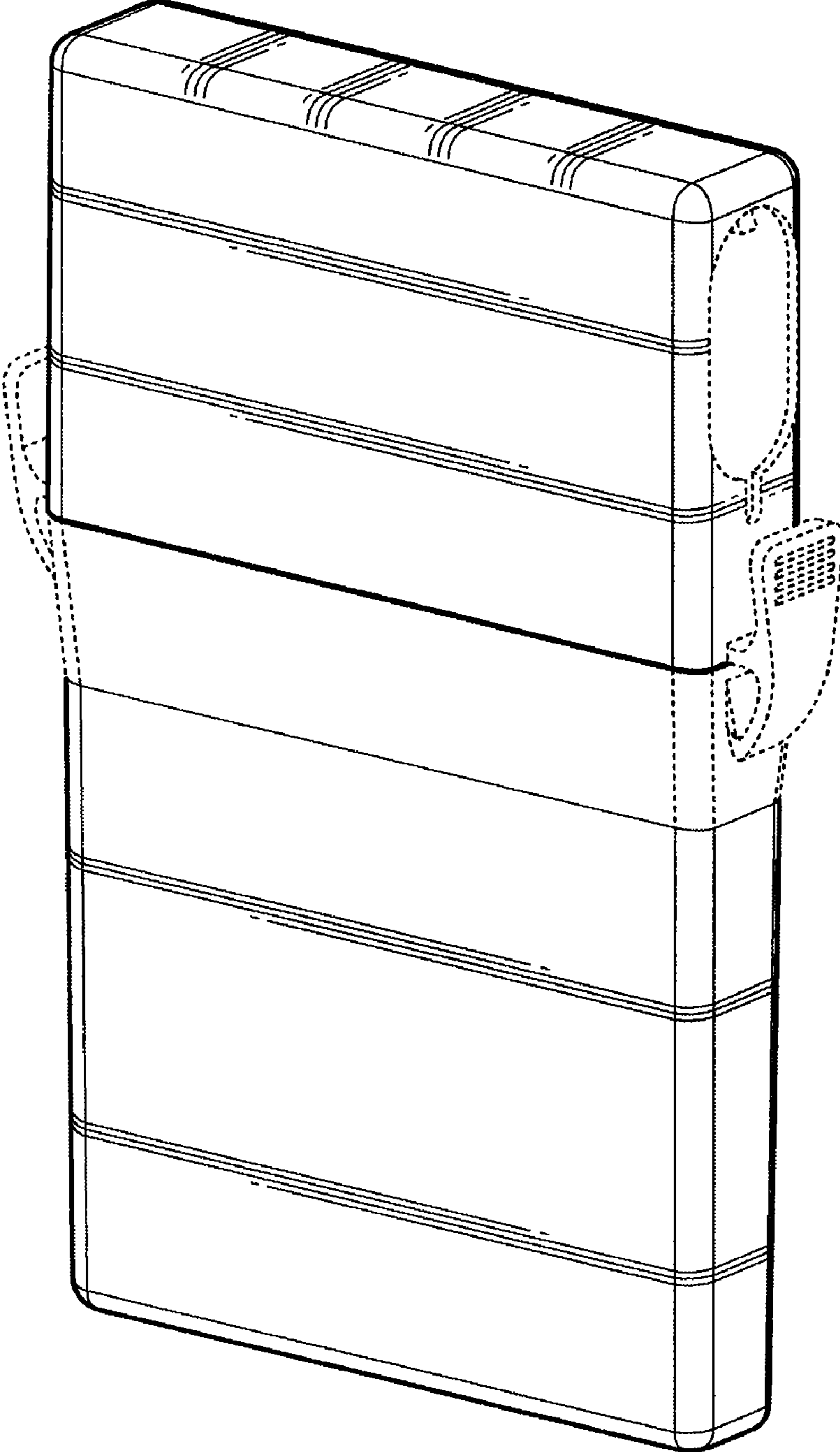


FIG. 1

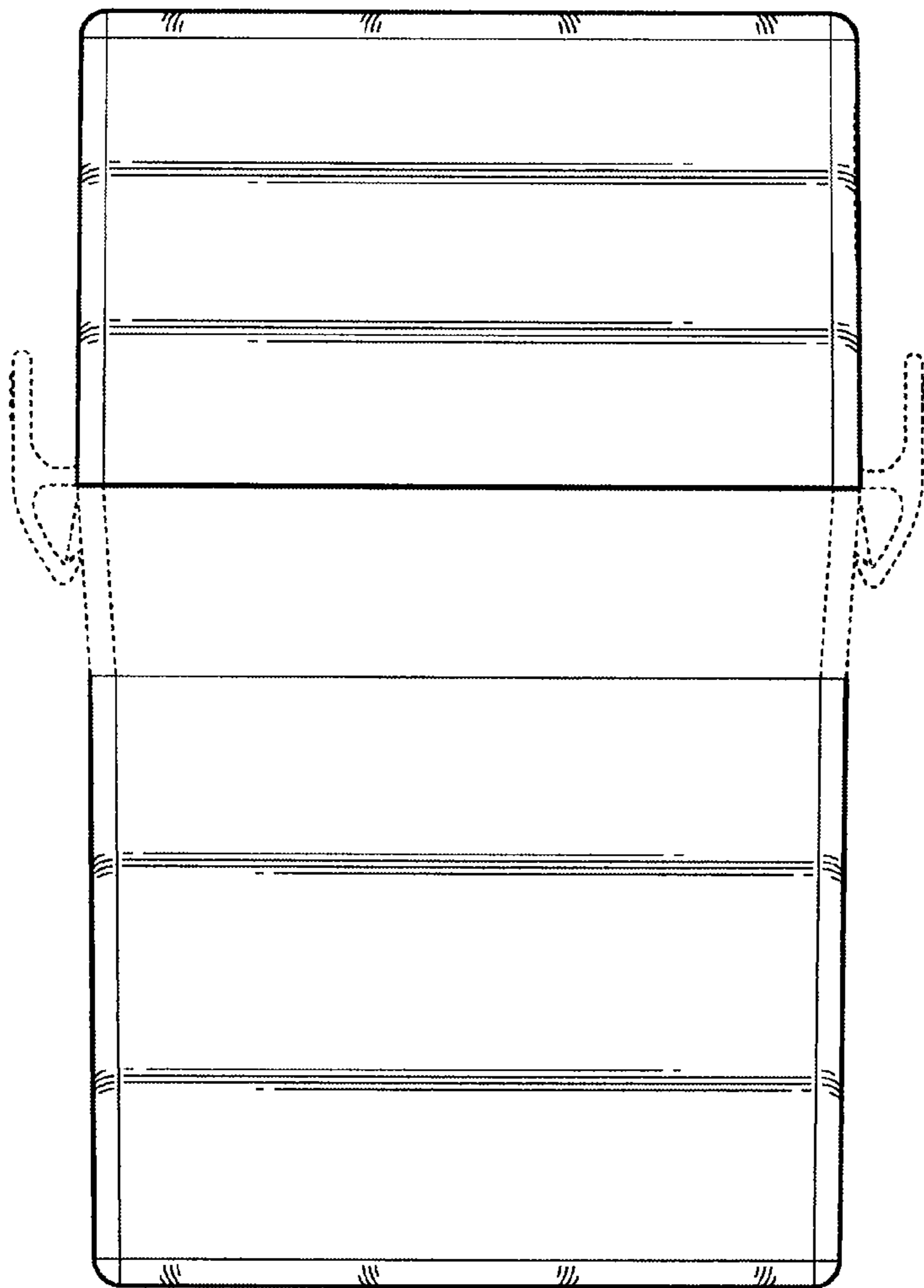


FIG. 2

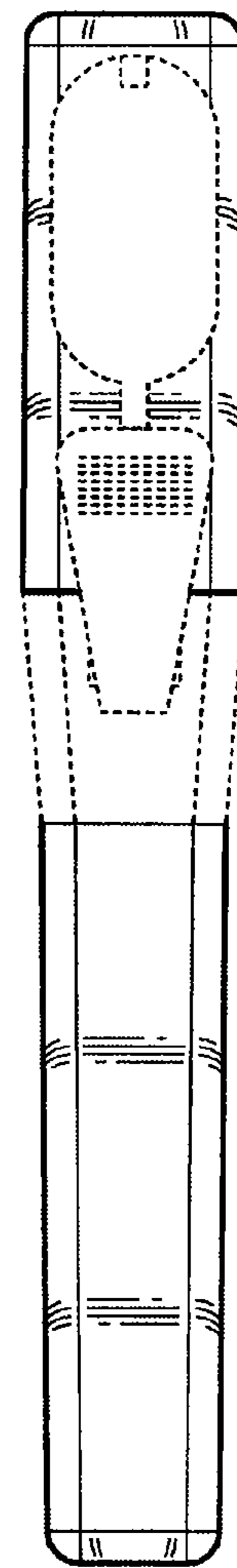


FIG. 3

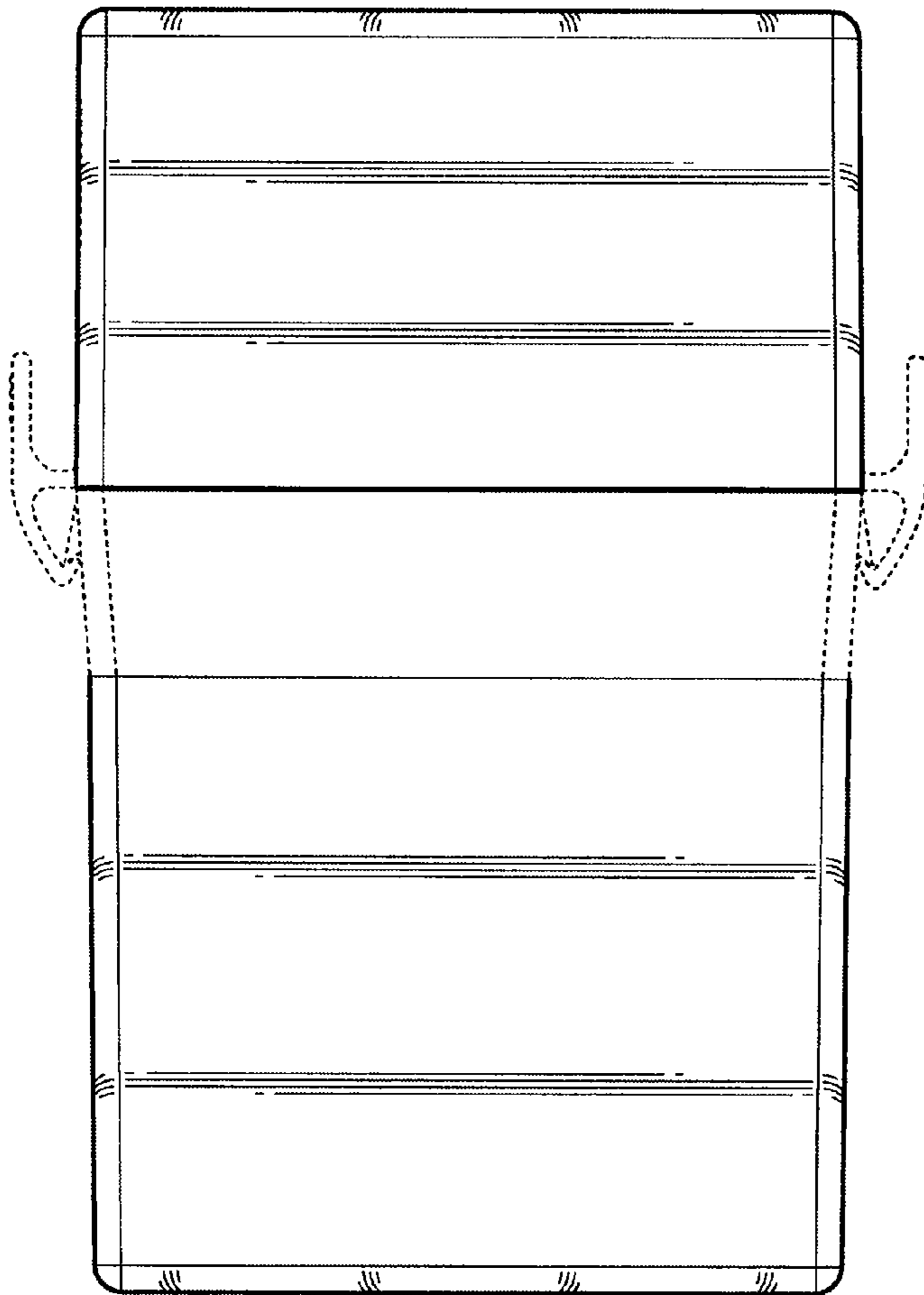


FIG. 4

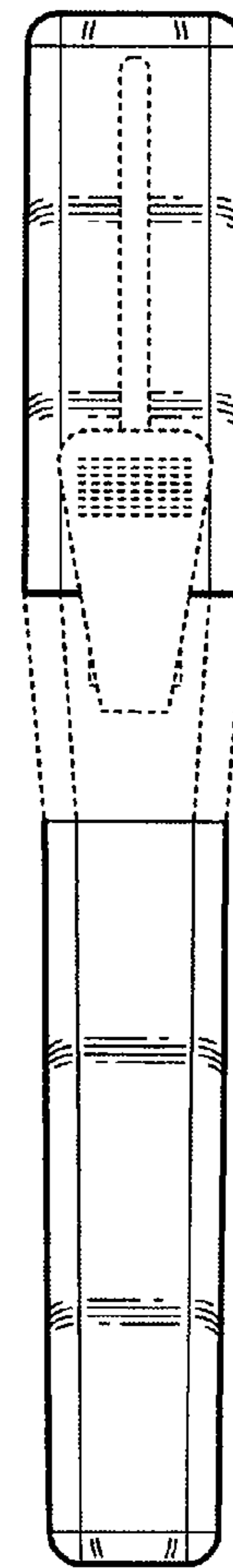


FIG. 5

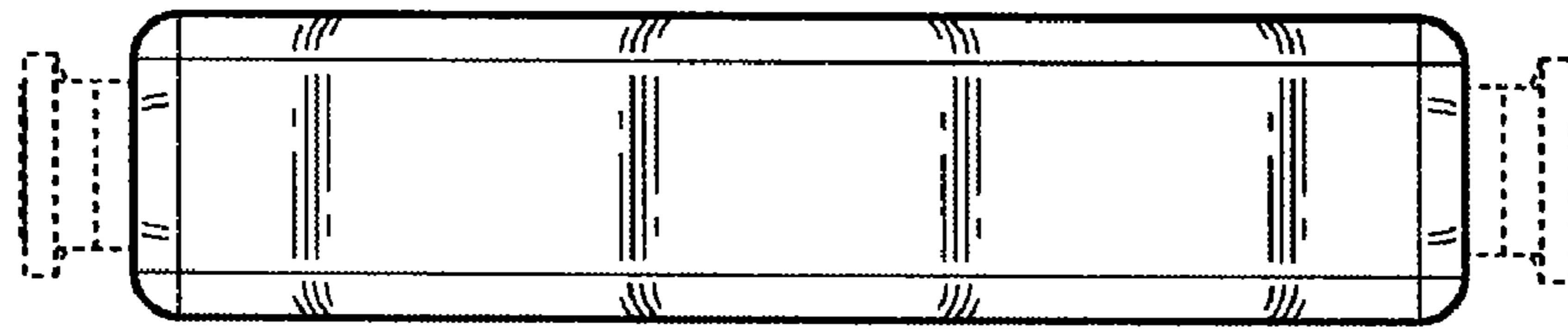


FIG. 6

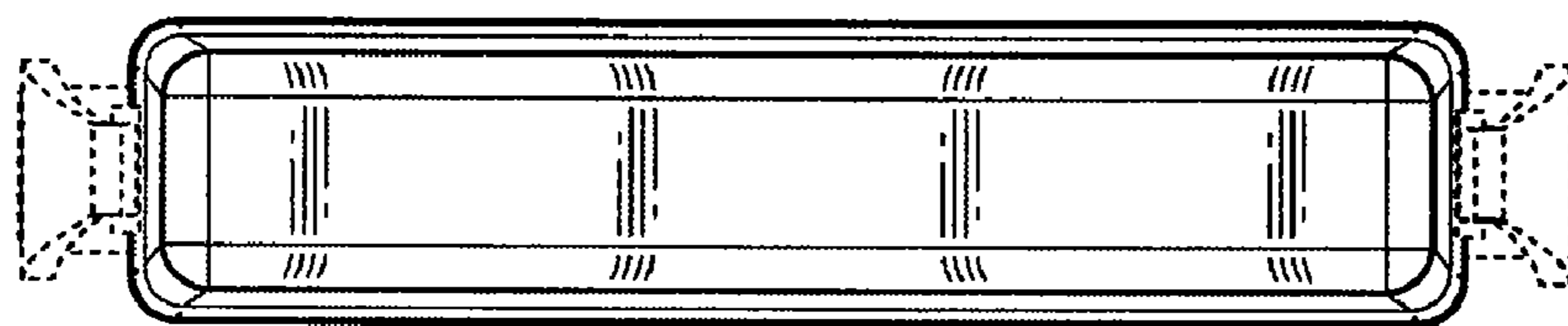


FIG. 7