



US00D653535S

(12) **United States Design Patent**  
**Tearle**

(10) **Patent No.:** **US D653,535 S**

(45) **Date of Patent:** **\*\* Feb. 7, 2012**

(54) **PACKAGING**

(75) Inventor: **Alan Tearle**, London (GB)

(73) Assignee: **British American Tobacco (Investments) Limited**, London (GB)

(\*\*) Term: **14 Years**

(21) Appl. No.: **29/332,980**

(22) Filed: **Feb. 27, 2009**

(30) **Foreign Application Priority Data**

Sep. 2, 2008 (WO) ..... 070635

(51) **LOC (9) Cl.** ..... **09-03**

(52) **U.S. Cl.** ..... **D9/423; D27/189**

(58) **Field of Classification Search** ..... D9/420,  
D9/423, 425, 432, 607; D27/186, 189; 229/101,  
229/125.21, 125.37, 145, 212, 225, 160.1;  
206/242, 245, 265, 266, 268, 271, 273  
See application file for complete search history.

(56) **References Cited**

**U.S. PATENT DOCUMENTS**

D337,940 S *	8/1993	Aquino	.....	D19/90
7,048,115 B2 *	5/2006	Stringfield	.....	206/268
D575,452 S *	8/2008	Jones et al.	.....	D27/189
D575,636 S *	8/2008	Krautter	.....	D9/420
D578,385 S *	10/2008	Ancona	.....	D9/423
D579,325 S *	10/2008	Bray et al.	.....	D9/423
D582,264 S *	12/2008	Snyder	.....	D9/423
D590,249 S *	4/2009	Yanchev	.....	D9/421
D594,596 S *	6/2009	Mitten et al.	.....	D27/189
D602,351 S *	10/2009	Toinet et al.	.....	D9/423
D607,318 S *	1/2010	Collins	.....	D9/423
D609,398 S *	2/2010	Hearn	.....	D27/189
D616,146 S *	5/2010	Holford	.....	D27/189
D618,544 S *	6/2010	Collins	.....	D9/420
D618,545 S *	6/2010	Toinet et al.	.....	D9/423
D627,634 S *	11/2010	Chung et al.	.....	D9/423

D635,714 S *	4/2011	Rojas	.....	D27/175
D636,931 S *	4/2011	de The et al.	.....	D27/189
2006/0226208 A1 *	10/2006	Focke et al.	.....	229/146
2006/0249564 A1 *	11/2006	Dhanda	.....	229/146
2011/0147443 A1 *	6/2011	Igo	.....	229/117.31

\* cited by examiner

*Primary Examiner* — Mark Goodwin

(74) *Attorney, Agent, or Firm* — Chadbourne & Parke LLP;  
Walter G. Hanchuk

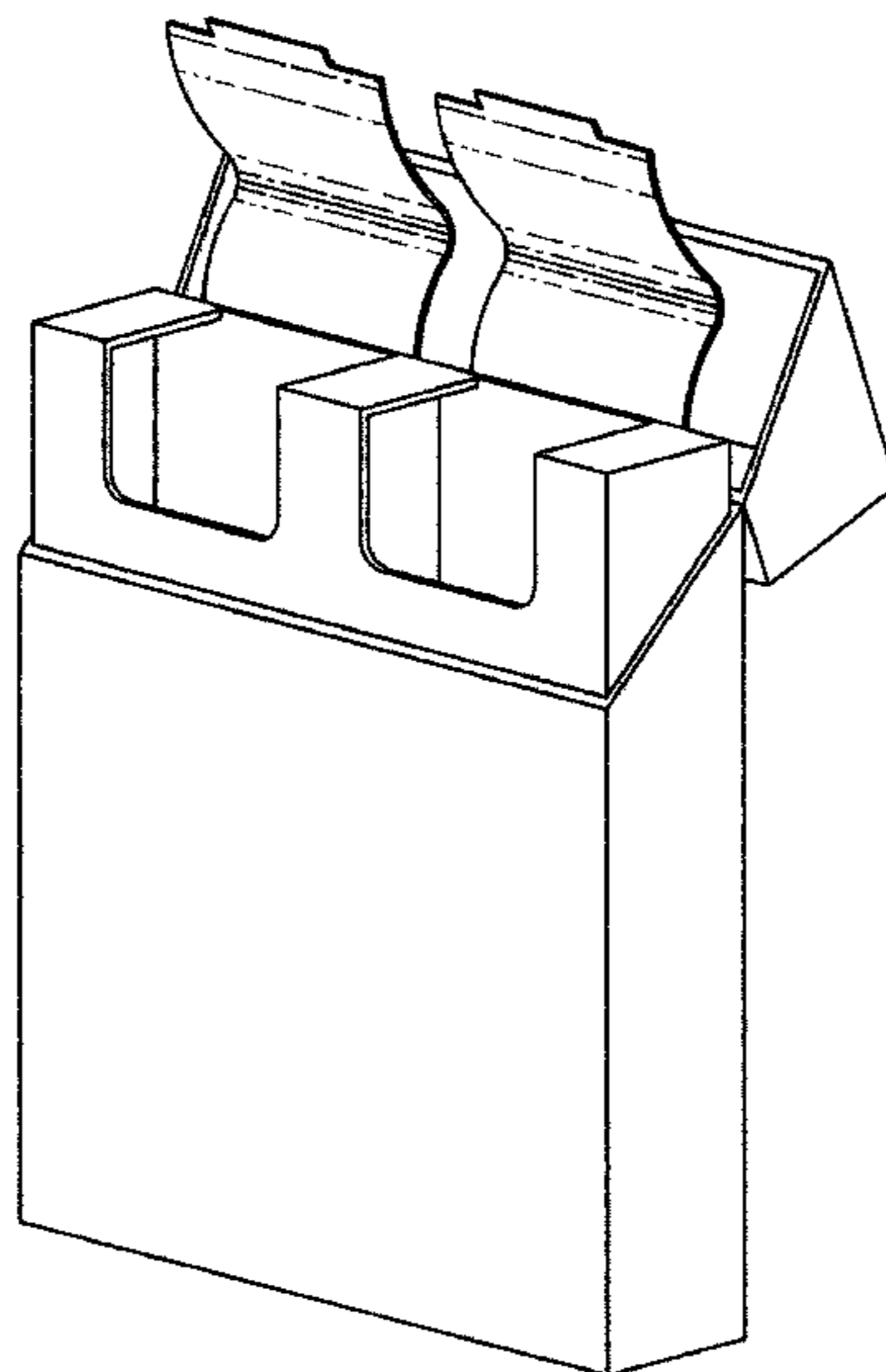
(57) **CLAIM**

The ornamental design for packaging, as shown and described.

**DESCRIPTION**

FIG. 1 provides a top front right perspective view of packaging showing my new design in closed position;  
 FIG. 2 provides a front view thereof;  
 FIG. 3 provides a left-side view thereof;  
 FIG. 4 provides a right-side view thereof;  
 FIG. 5 provides a top plan view thereof;  
 FIG. 6 provides a bottom plan view thereof;  
 FIG. 7 provides a rear view thereof;  
 FIG. 8 provides a top front right perspective view of packaging showing my new design thereof in an open position, with inner flaps in a closed position.  
 FIG. 9 provides a front view thereof;  
 FIG. 10 provides a left-side view thereof;  
 FIG. 11 provides a right-side view thereof;  
 FIG. 12 provides a top plan view thereof;  
 FIG. 13 provides a top front right perspective view of packaging showing my new design thereof in an open position, with inner flaps in an open position;  
 FIG. 14 provides a front view thereof;  
 FIG. 15 provides a left-side view thereof;  
 FIG. 16 provides a right side view thereof; and,  
 FIG. 17 provides a top plan view thereof.

**1 Claim, 11 Drawing Sheets**



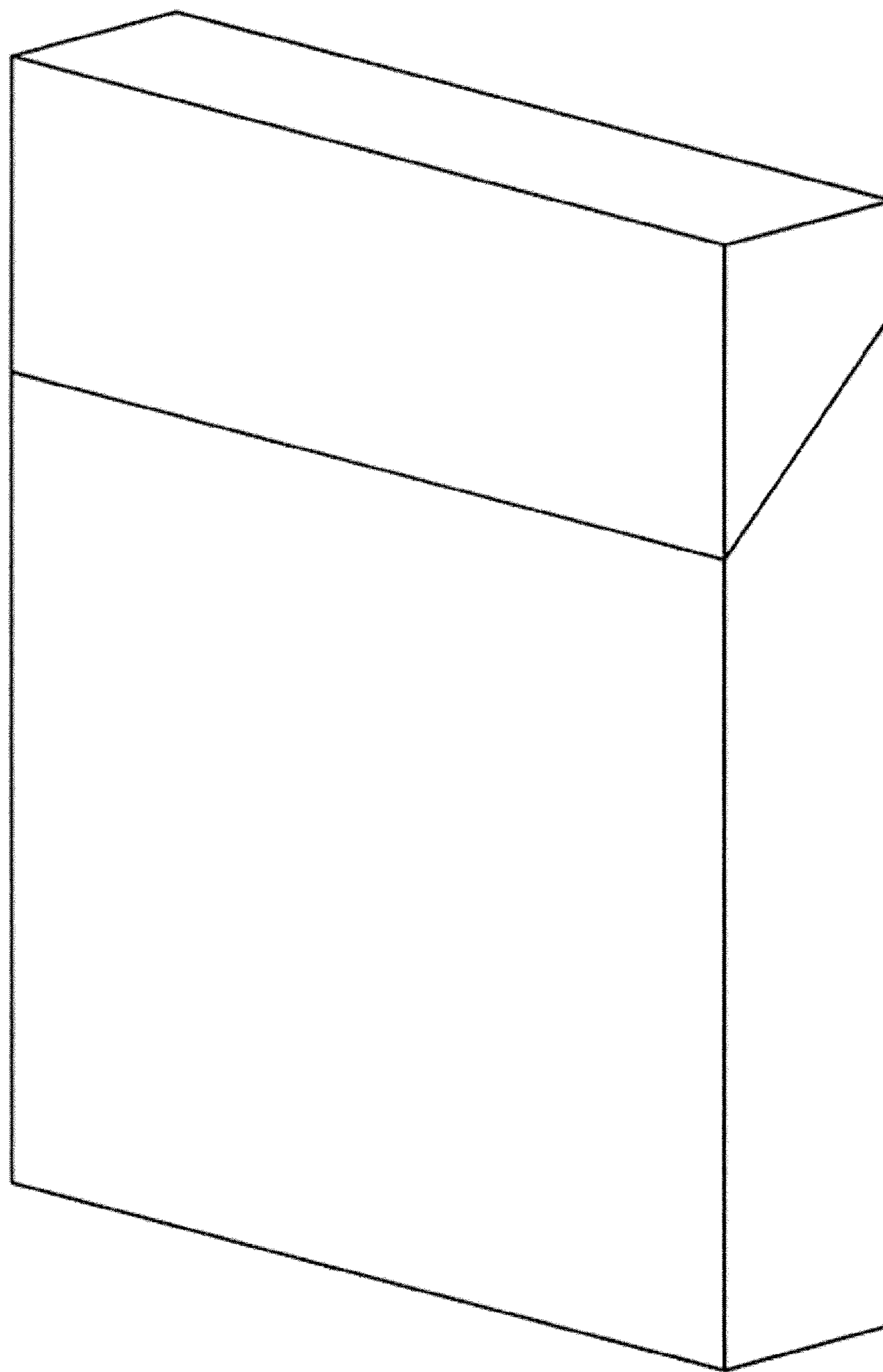


Fig. 1

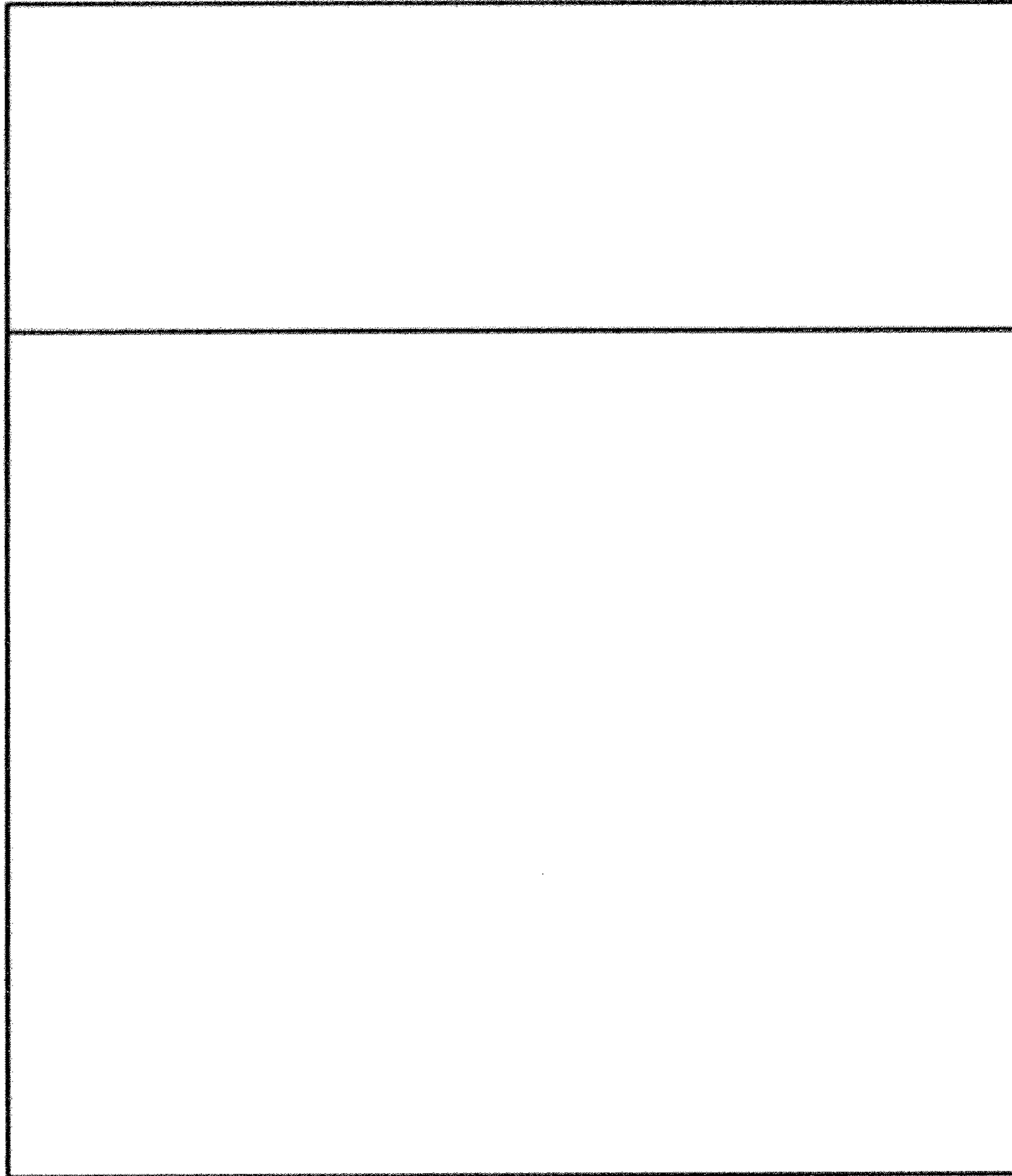


Fig. 2

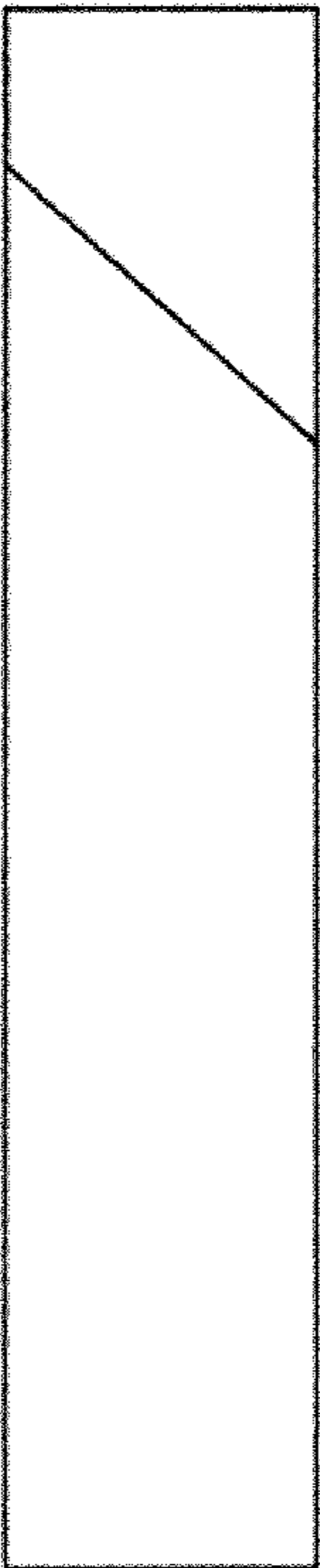


Fig. 3

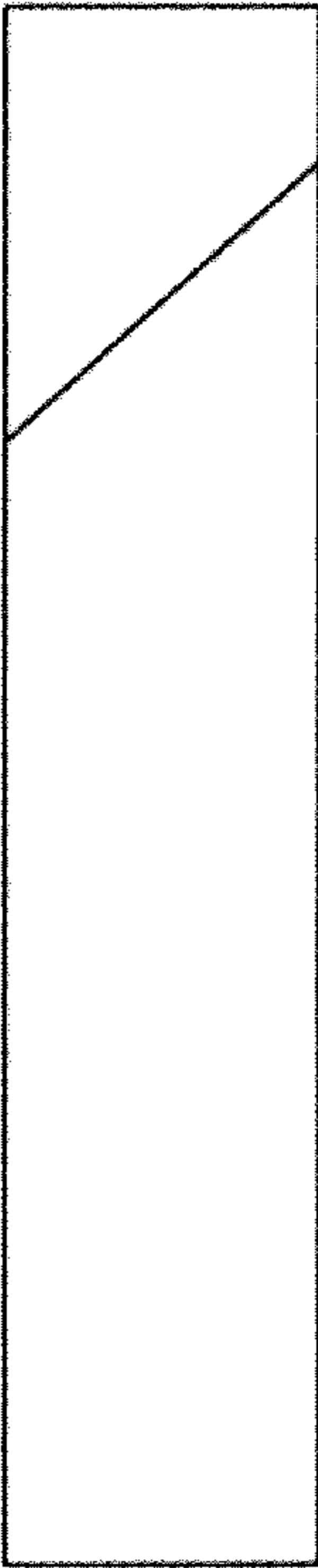


Fig. 4

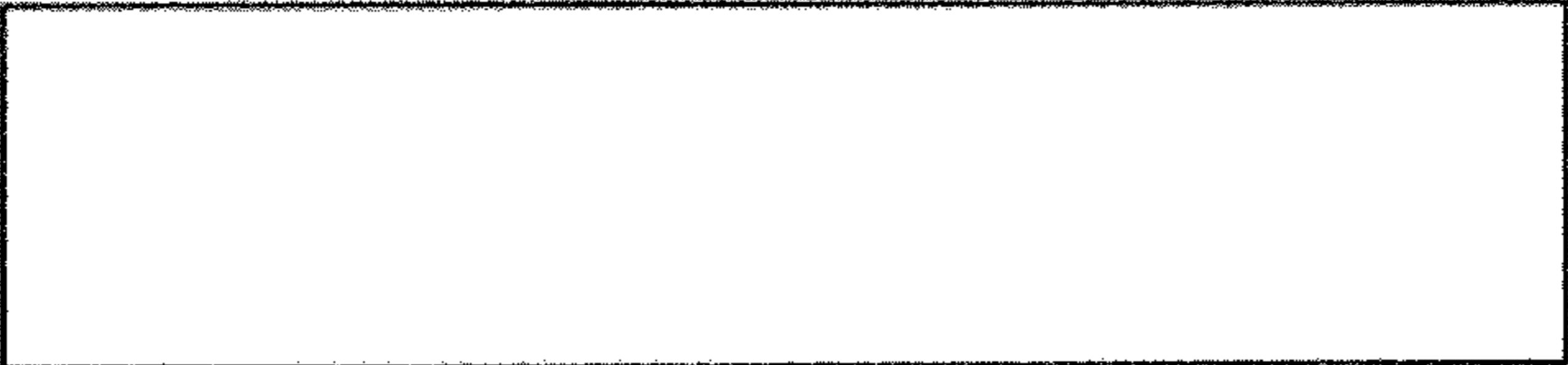


Fig. 5



Fig. 6

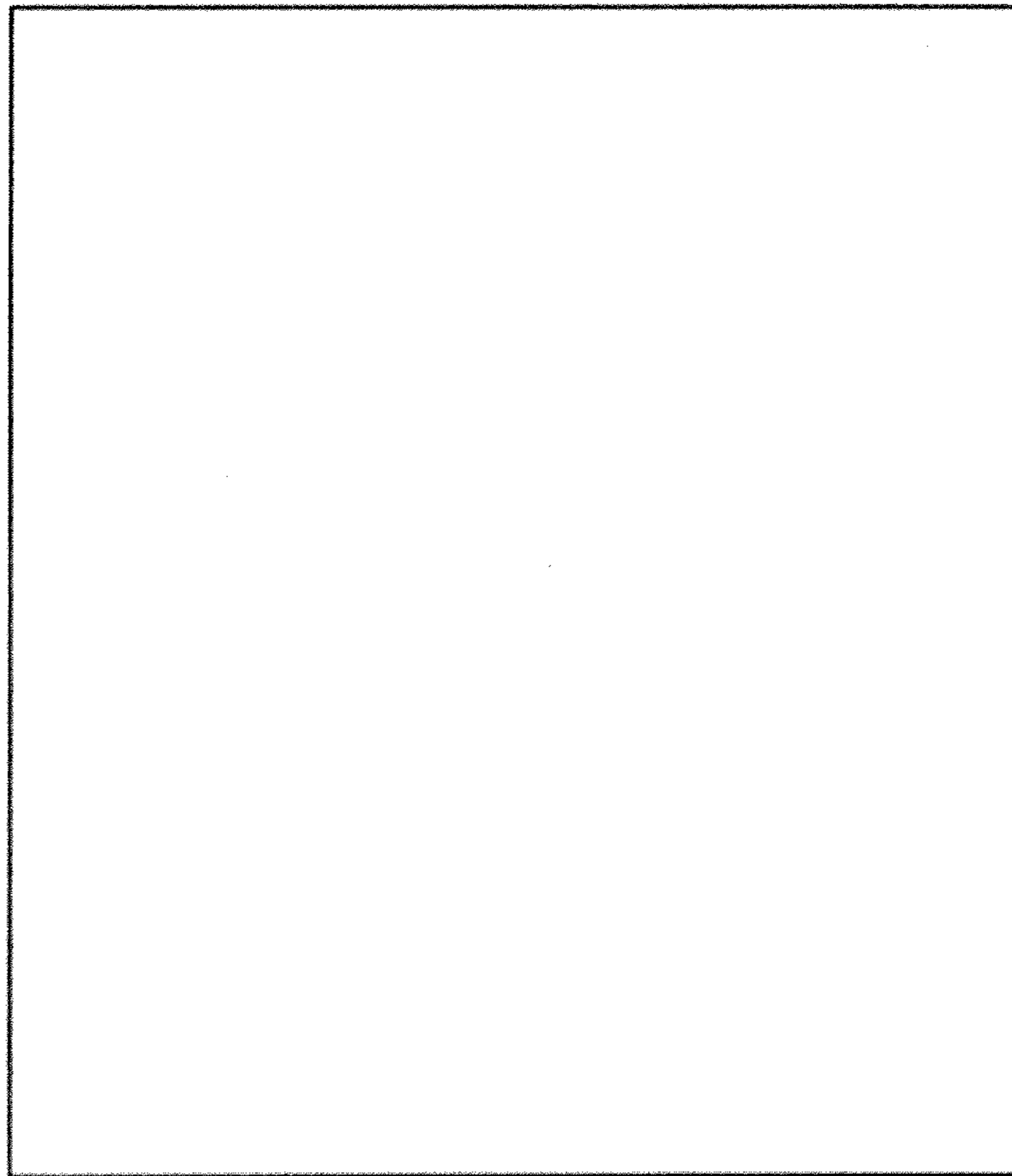


Fig. 7

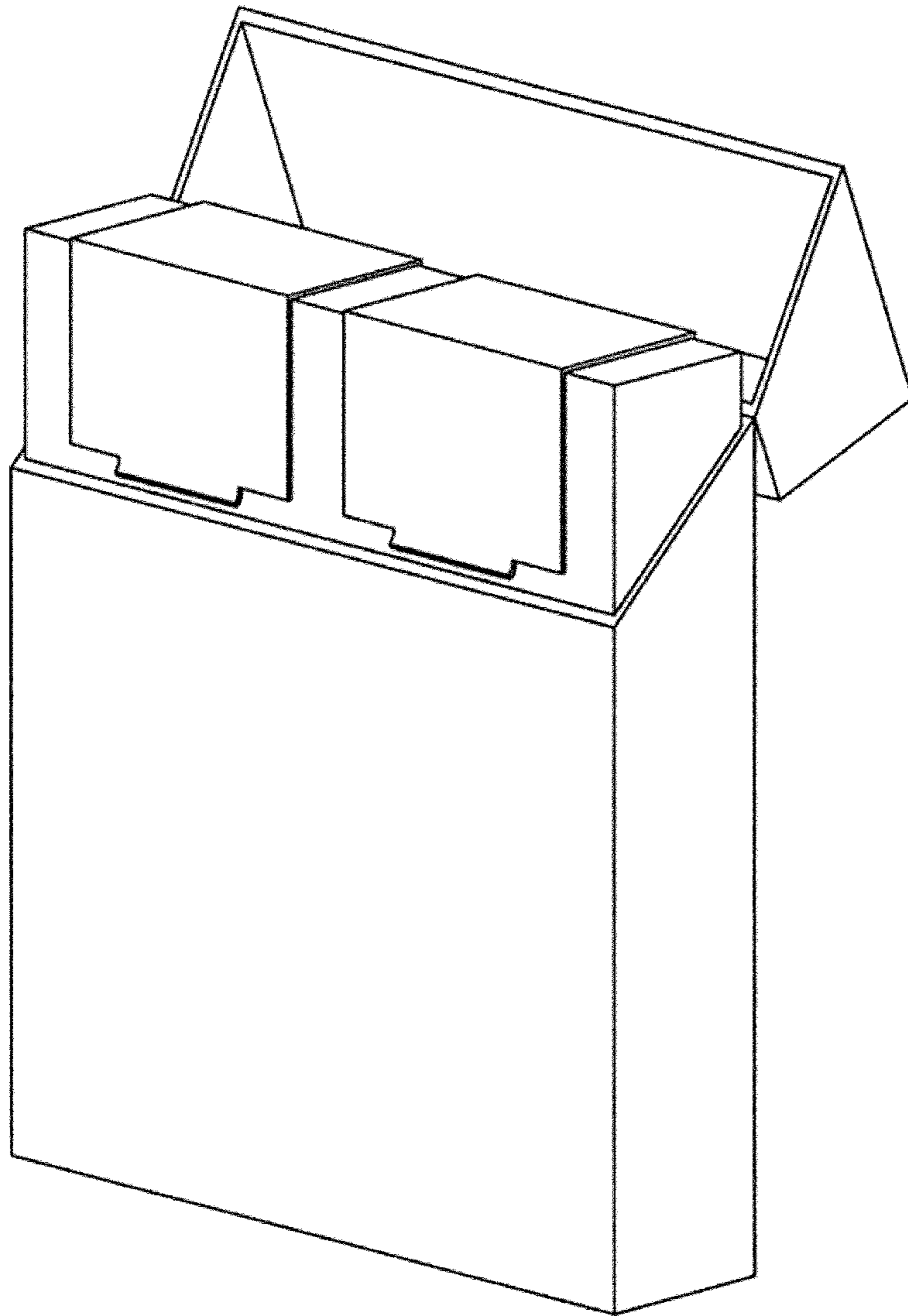


Fig. 8



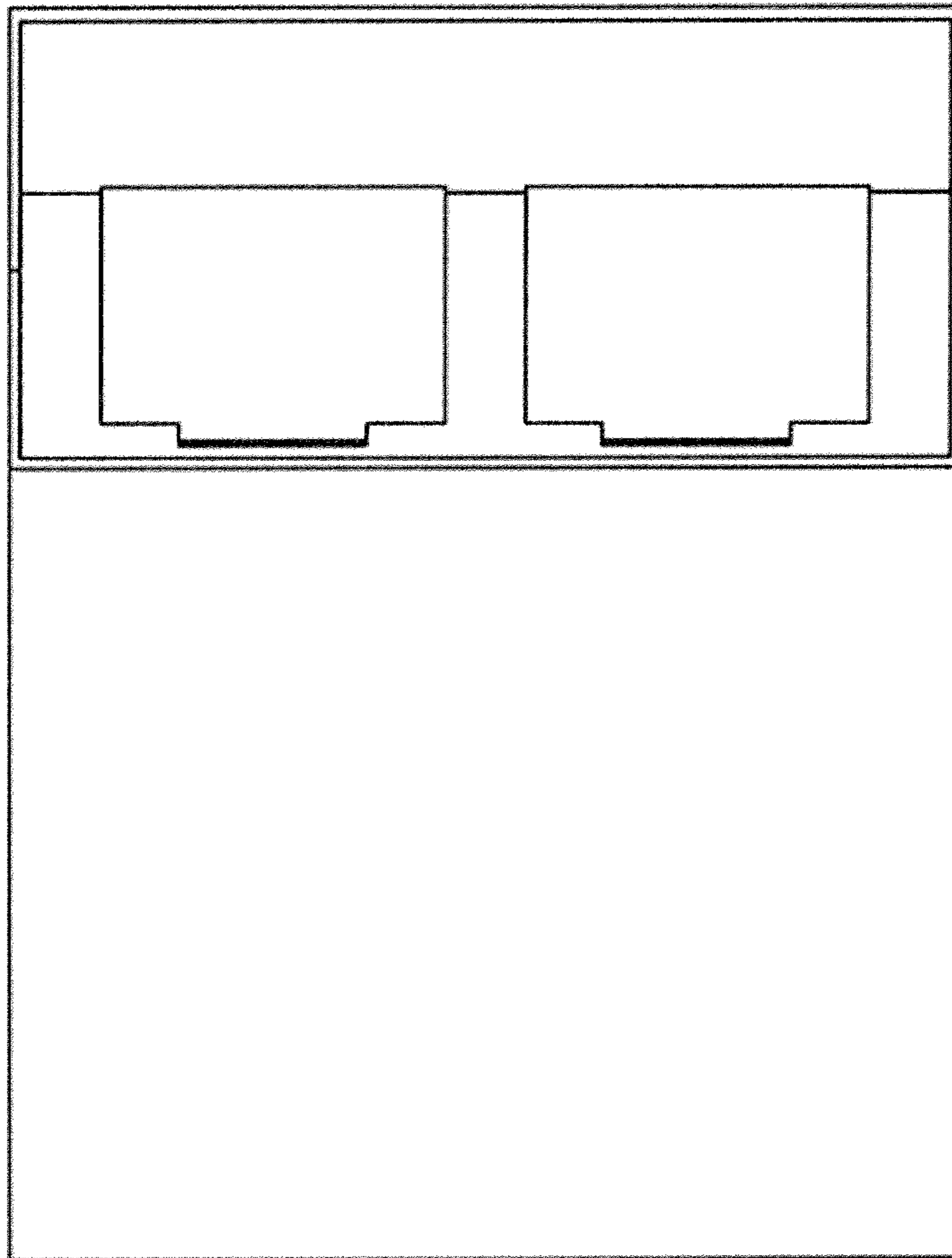


Fig. 9

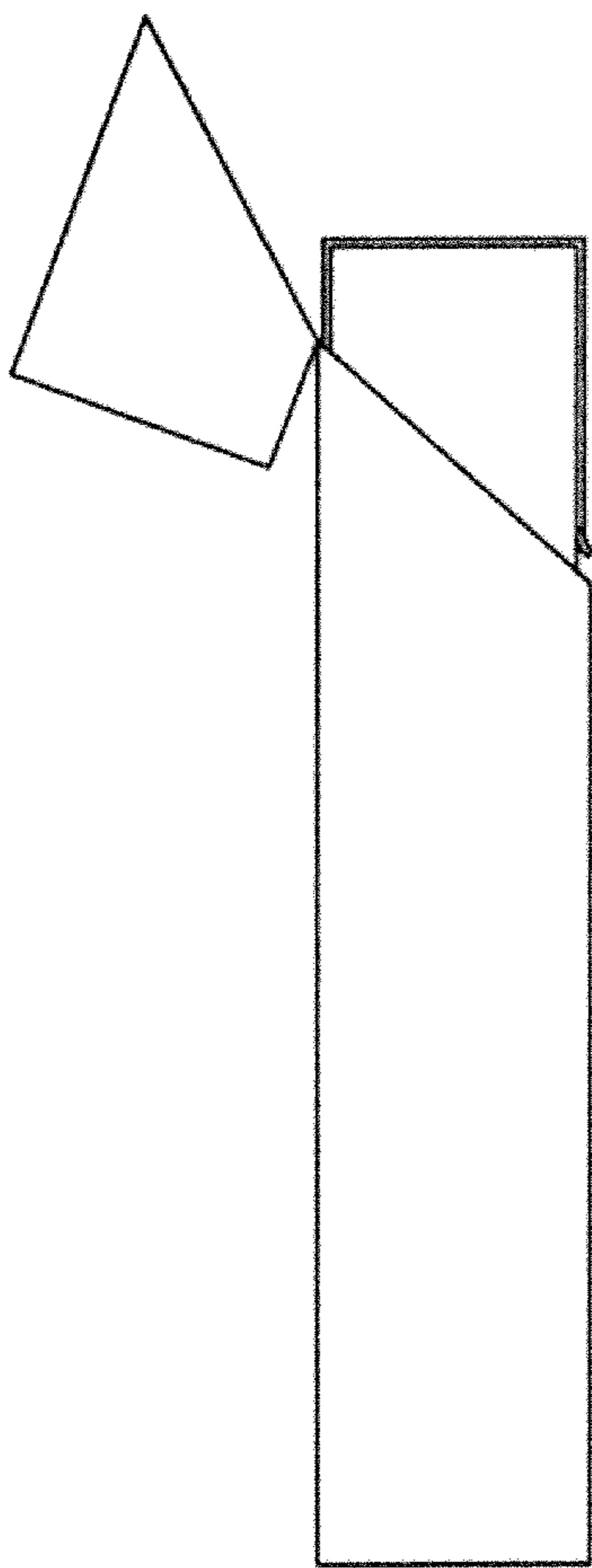


Fig. 10

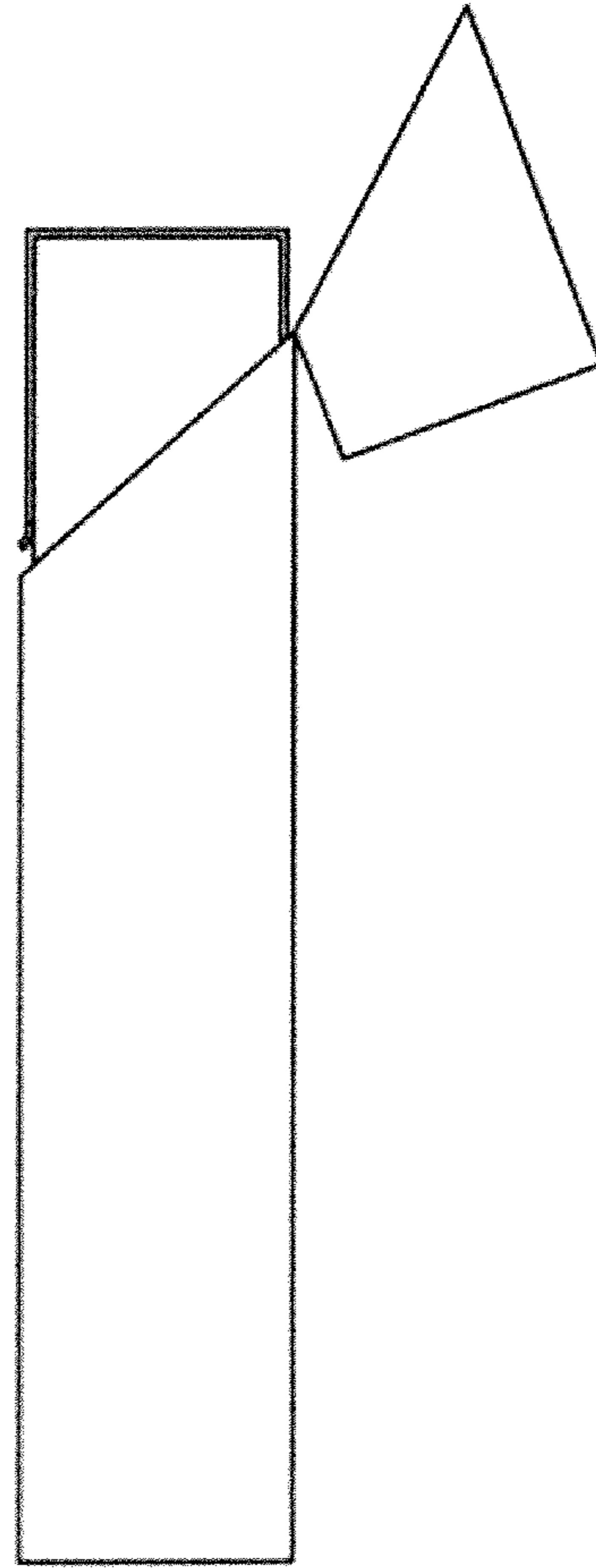


Fig. 11

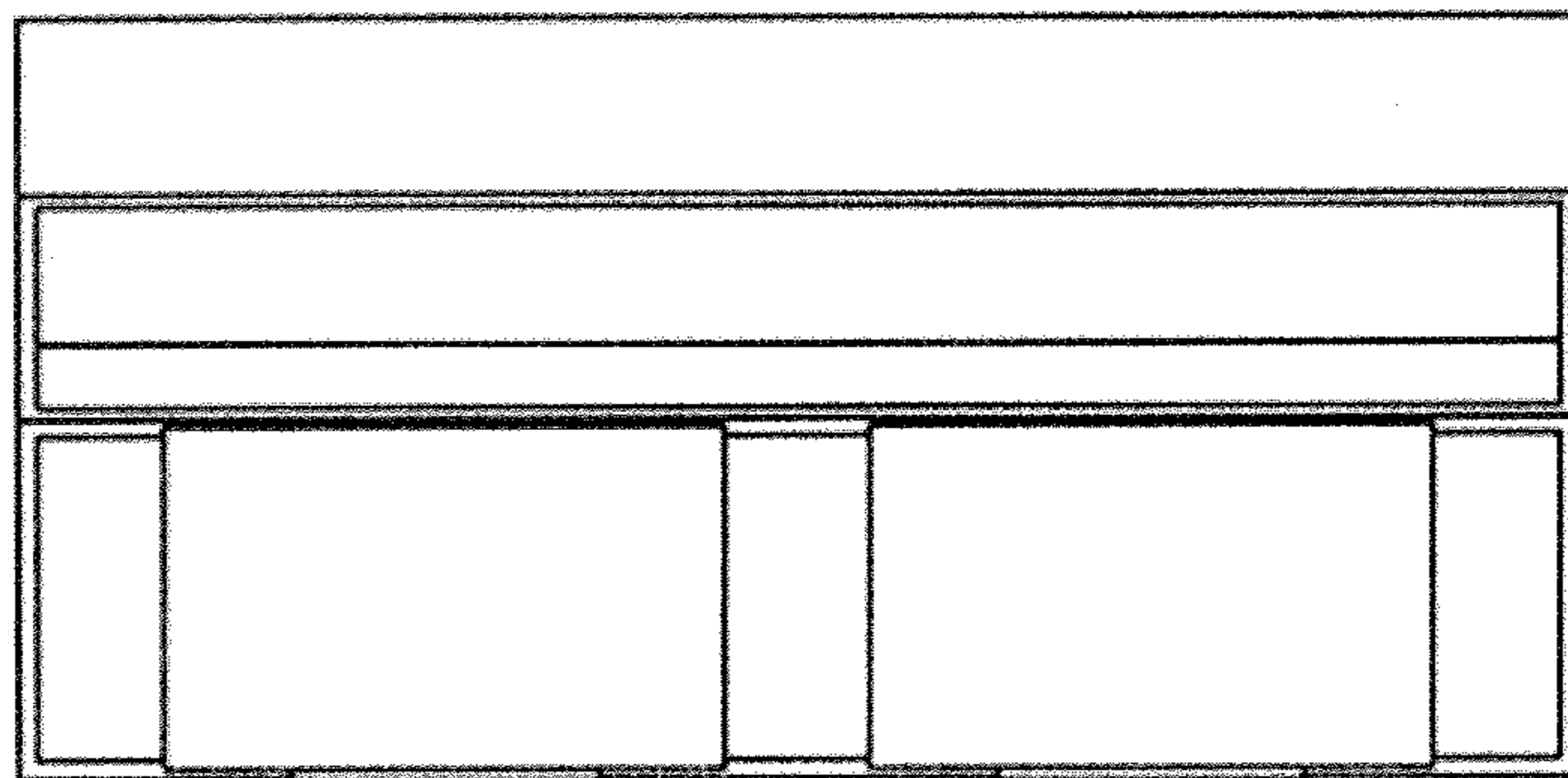


Fig. 12



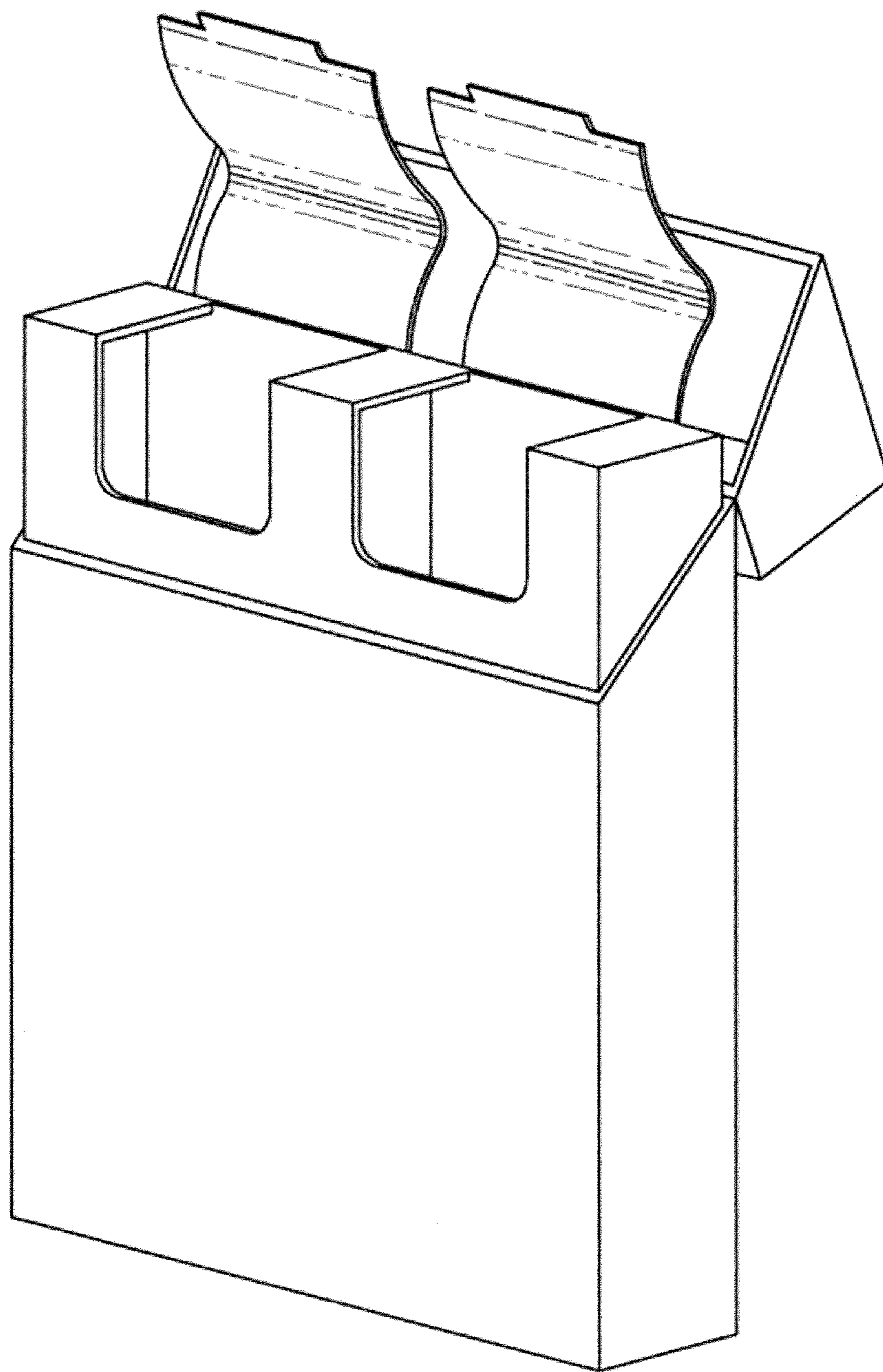


Fig. 13

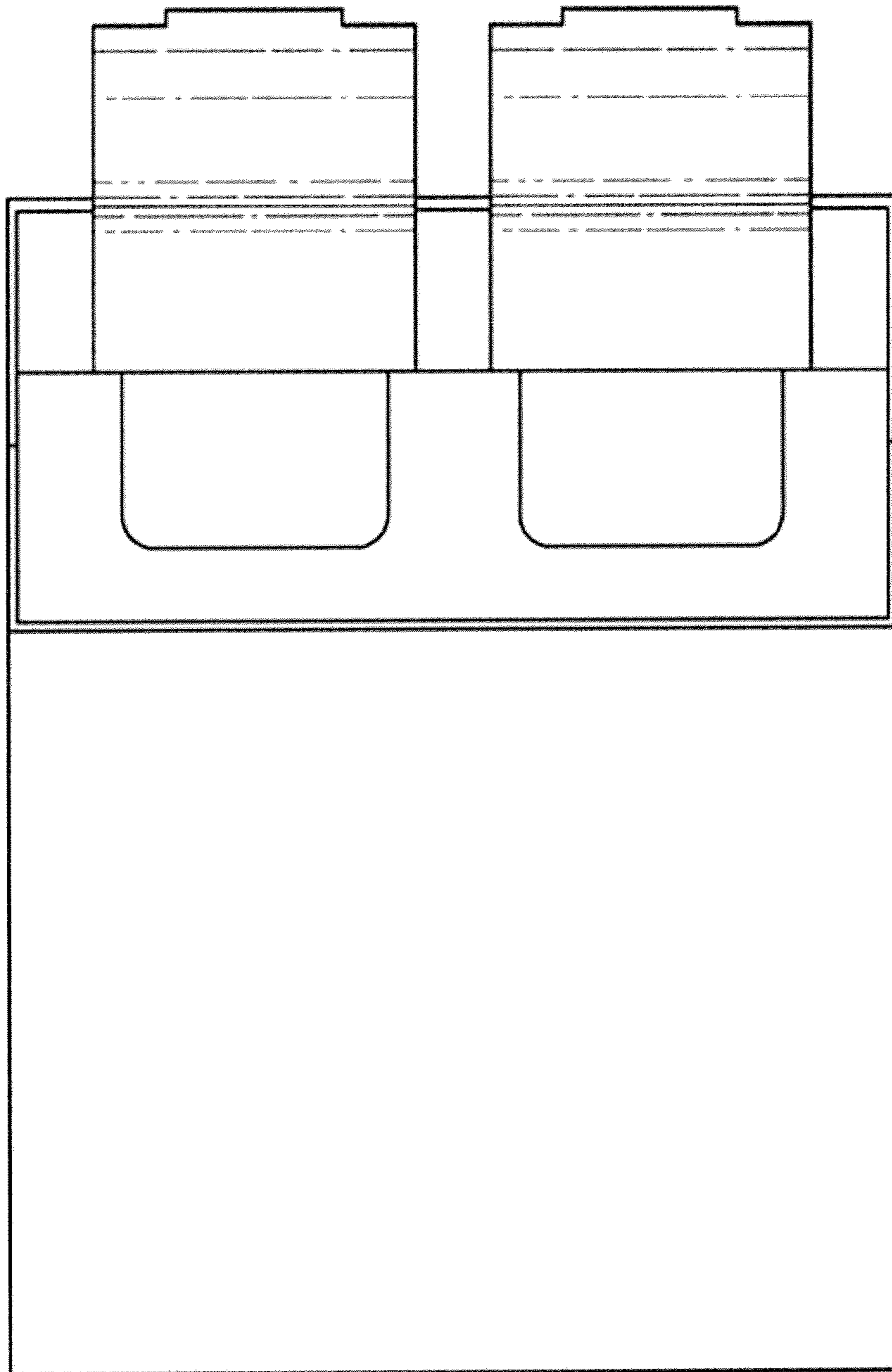


Fig. 14

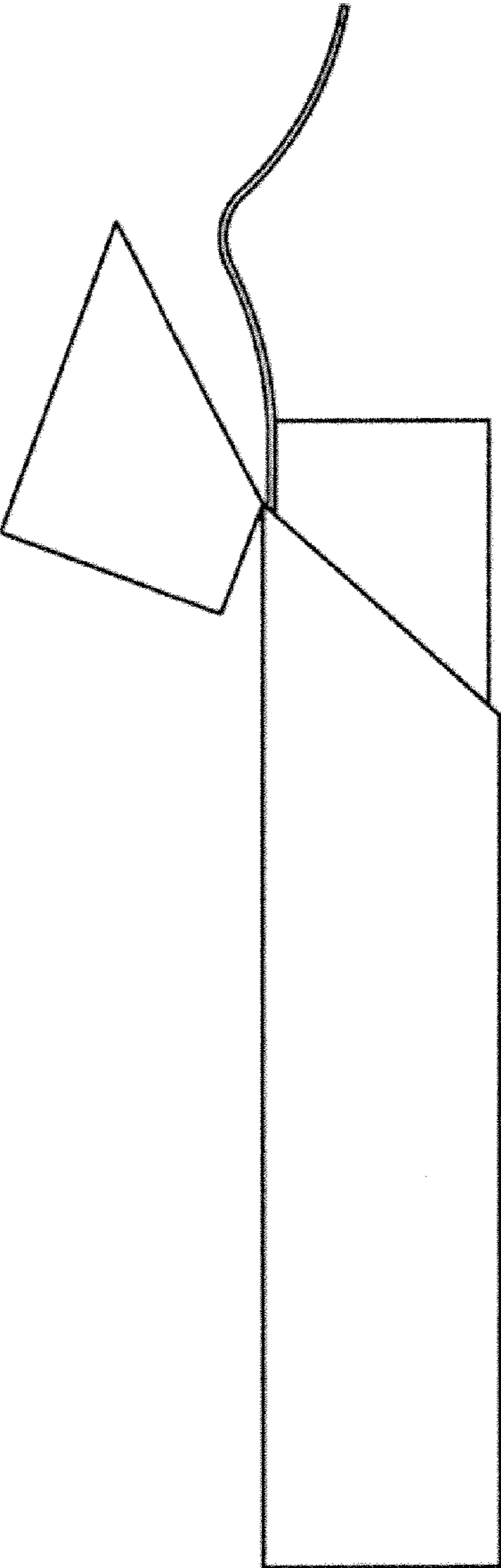


Fig. 15

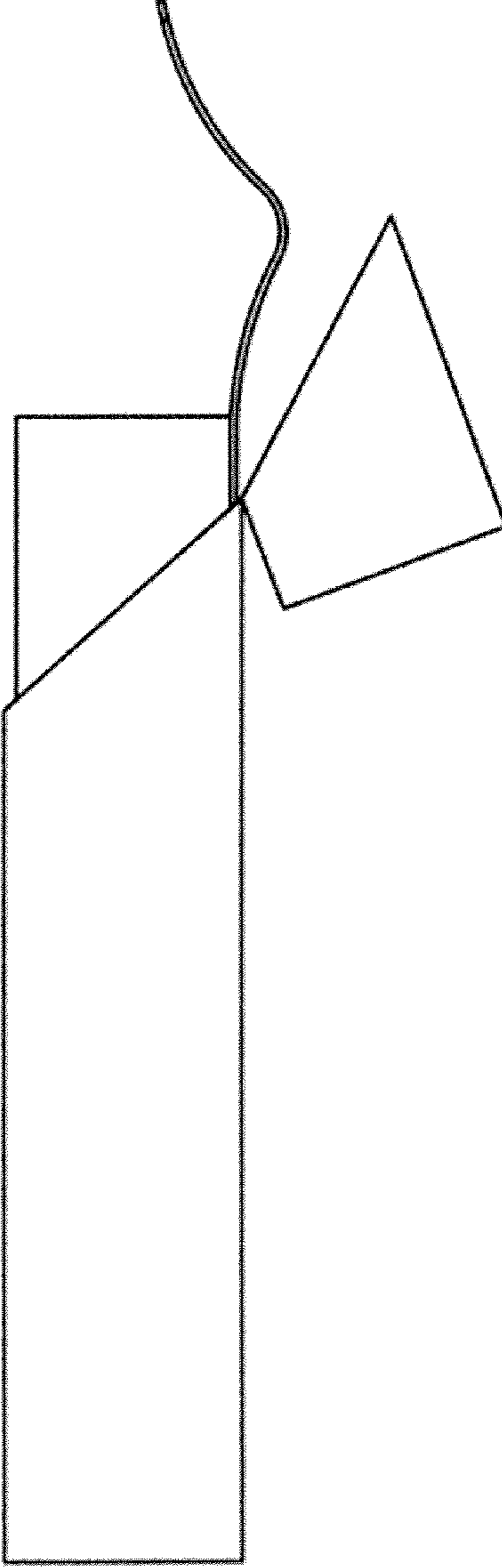


Fig. 16

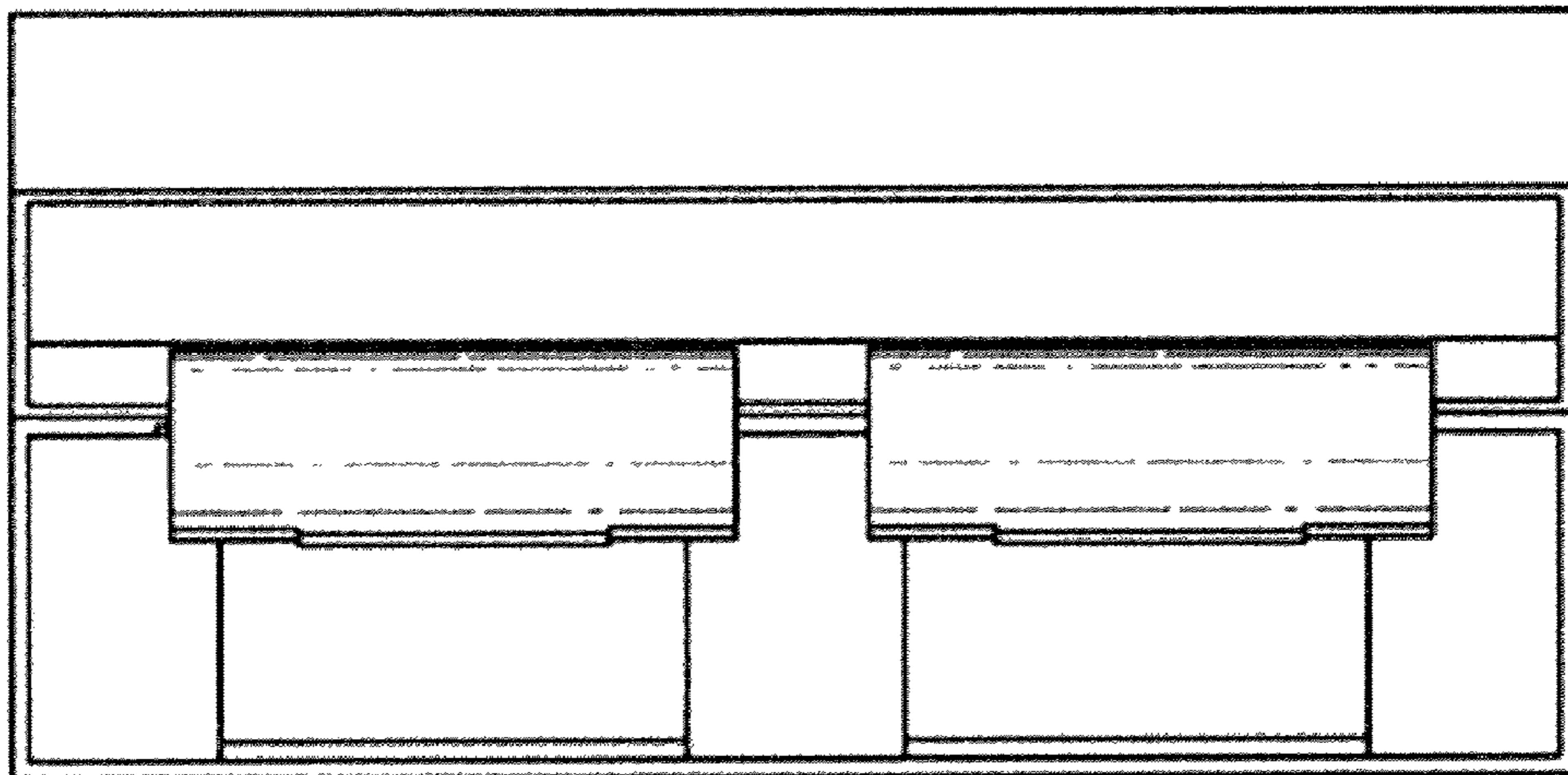


Fig. 17