



US00D653533S

(12) **United States Design Patent**
Brachman et al.

(10) **Patent No.:** **US D653,533 S**

(45) **Date of Patent:** **** Feb. 7, 2012**

(54) **CONTAINER**

(75) Inventors: **Amy Brachman**, Richmond, VA (US);
Monica Stautner Nichols, Richmond,
VA (US)

(73) Assignee: **Reynolds Foil Inc.**, Richmond, VA (US)

(**) Term: **14 Years**

(21) Appl. No.: **29/339,030**

(22) Filed: **Jun. 23, 2009**

(51) **LOC (9) Cl.** **09-03**

(52) **U.S. Cl.** **D9/415**

(58) **Field of Classification Search** D9/415,
D9/414, 418, 424, 425, 721, 722; 206/461-471,
206/767, 769, 772, 775-783, 806, 807, 815,
206/822; 229/406

See application file for complete search history.

(56) **References Cited**

U.S. PATENT DOCUMENTS

4,285,157	A *	8/1981	Lambert	446/76
D341,777	S *	11/1993	Sheu	D9/415
D348,391	S *	7/1994	Ichikawa et al.	D9/415
D348,392	S *	7/1994	Tannen	D9/415
D383,386	S *	9/1997	Loubach	D9/415
D541,145	S *	4/2007	Copp	D9/415
D554,493	S *	11/2007	Bochmann et al.	D9/415

* cited by examiner

Primary Examiner — Derricik Holland

(74) *Attorney, Agent, or Firm* — Greenberg Traurig, LLP

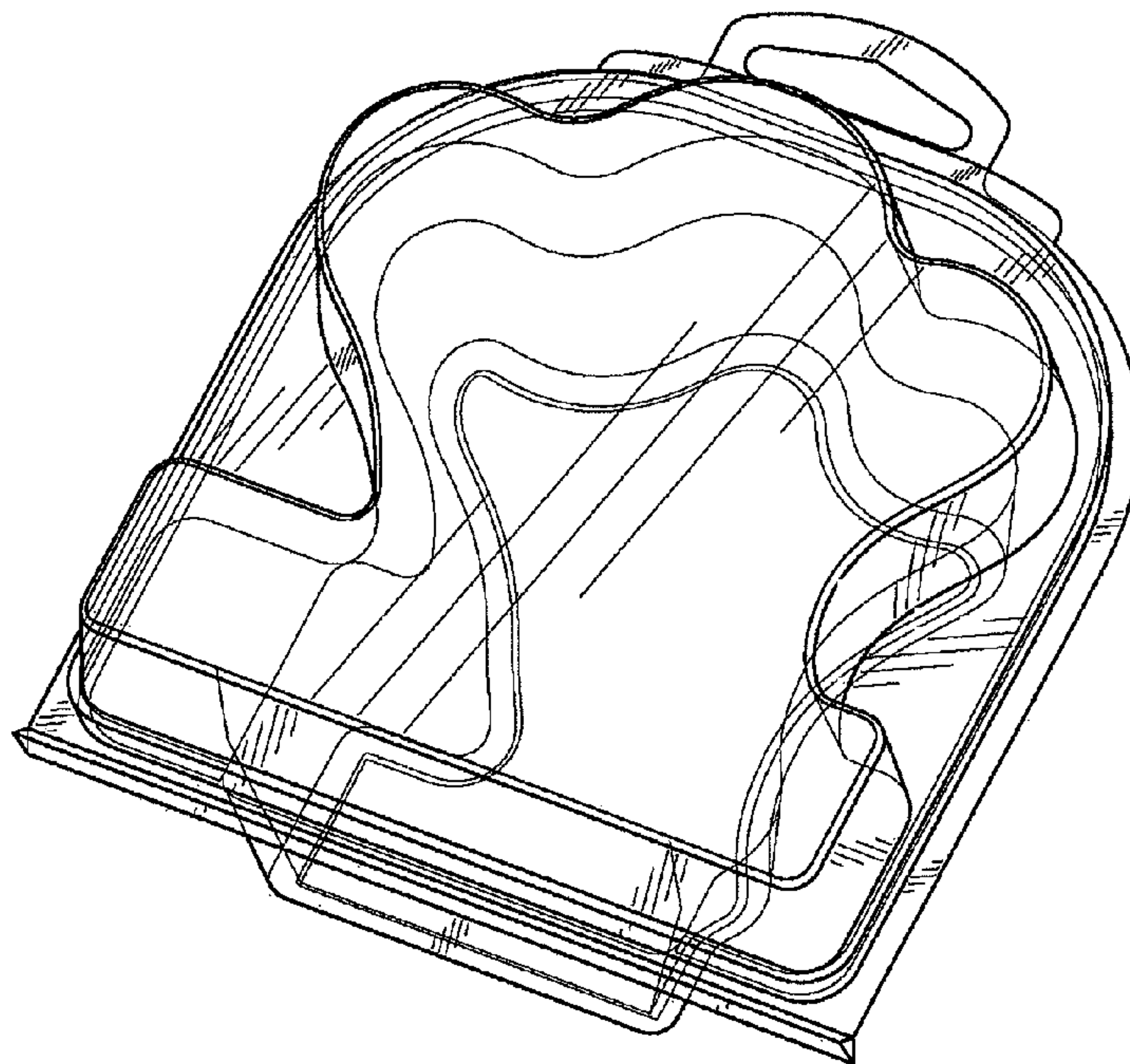
(57) **CLAIM**

The ornamental design for a container, as shown and described.

DESCRIPTION

FIG. 1 is a perspective view of an embodiment of a container showing our new design;
 FIG. 2 is a front elevation view thereof;
 FIG. 3 is a rear elevation view thereof;
 FIG. 4 is a right side elevation view thereof;
 FIG. 5 is a left side elevation view thereof;
 FIG. 6 is a top plan view thereof;
 FIG. 7 is a bottom plan view thereof;
 FIG. 8 is a perspective view of a second embodiment of a container showing our new design;
 FIG. 9 is a front elevation view thereof;
 FIG. 10 is a rear elevation view thereof;
 FIG. 11 is a right side elevation view thereof;
 FIG. 12 is a left side elevation view thereof;
 FIG. 13 is a top plan view thereof;
 FIG. 14 is a bottom plan view thereof;
 FIG. 15 is a perspective view of a third embodiment of a container showing our new design;
 FIG. 16 is a front elevation view thereof;
 FIG. 17 is a rear elevation view thereof;
 FIG. 18 is a right side elevation view thereof;
 FIG. 19 is a left side elevation view thereof;
 FIG. 20 is a top plan view thereof;
 FIG. 21 is a bottom plan view thereof; and,
 FIG. 22 is a perspective view of a fourth embodiment of a container showing our new design.
 The broken lines shown represent unclaimed subject matter and form no part of the claimed design.

1 Claim, 16 Drawing Sheets



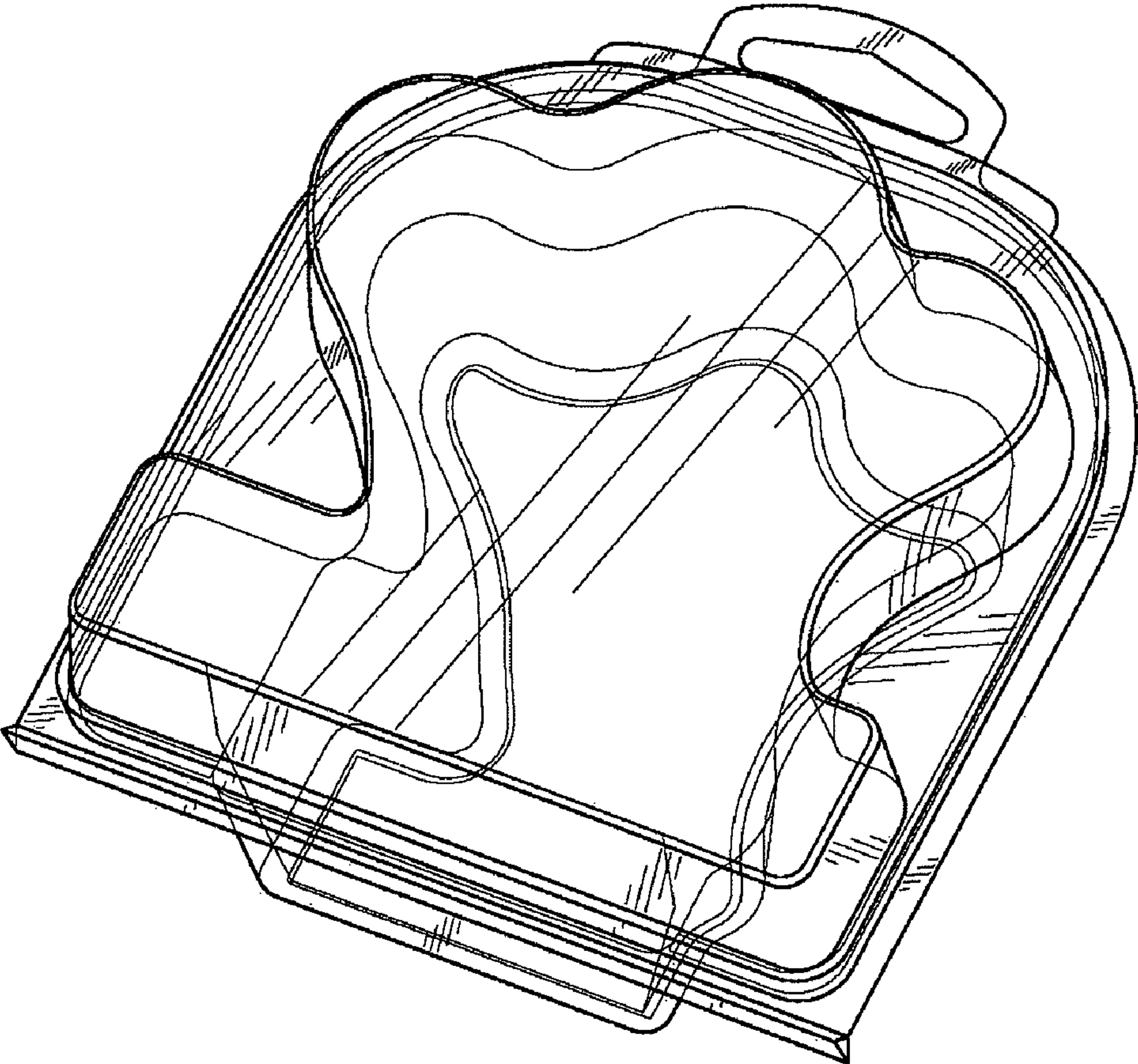


FIG. 1

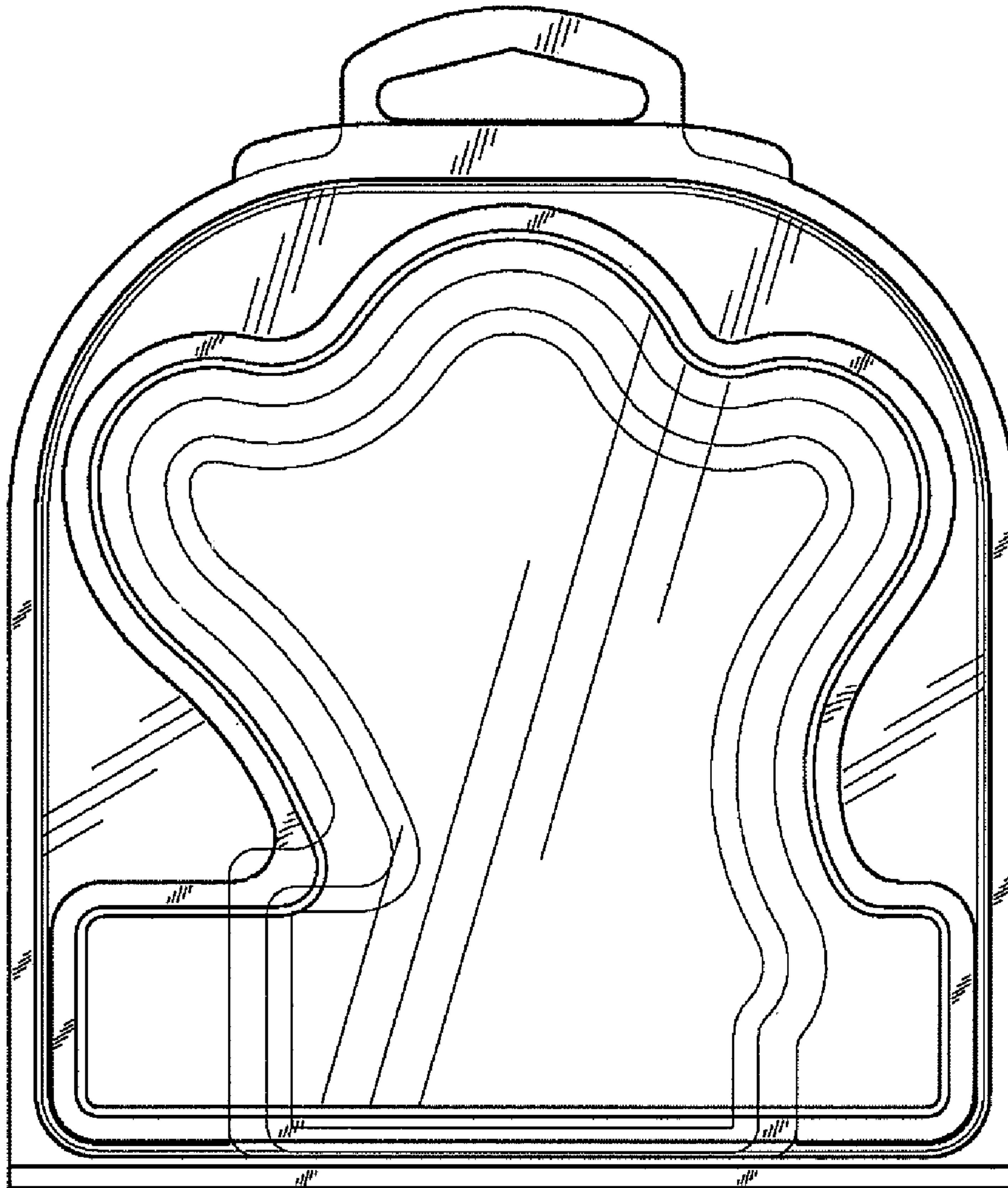


FIG. 2

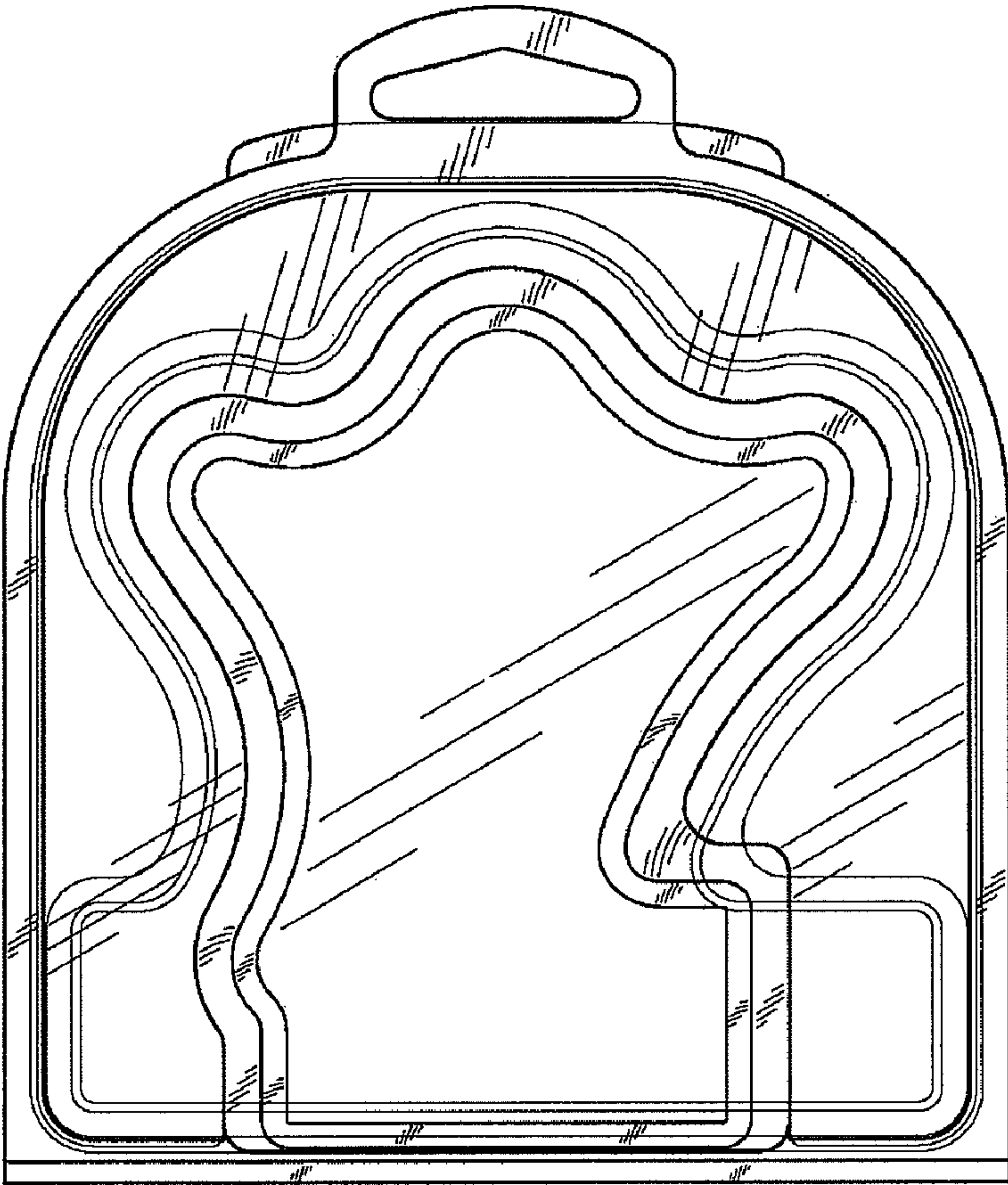


FIG. 3

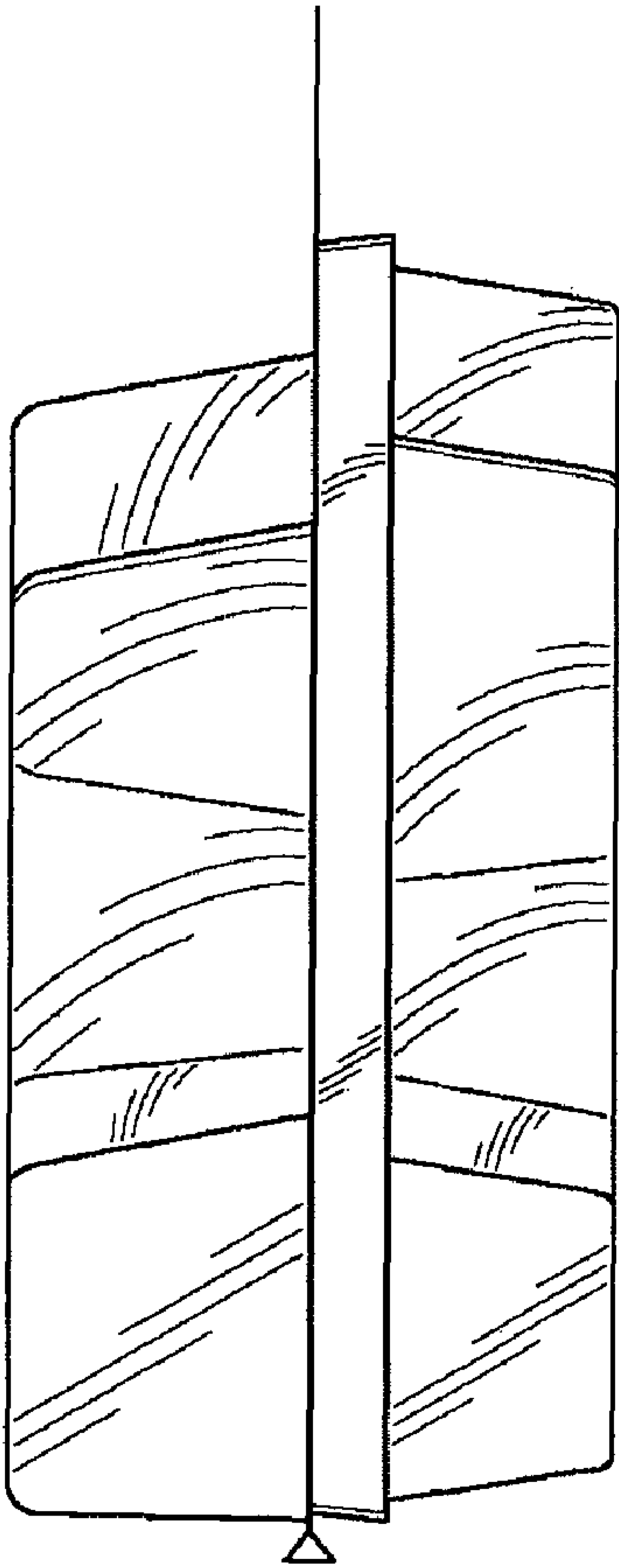


FIG. 4

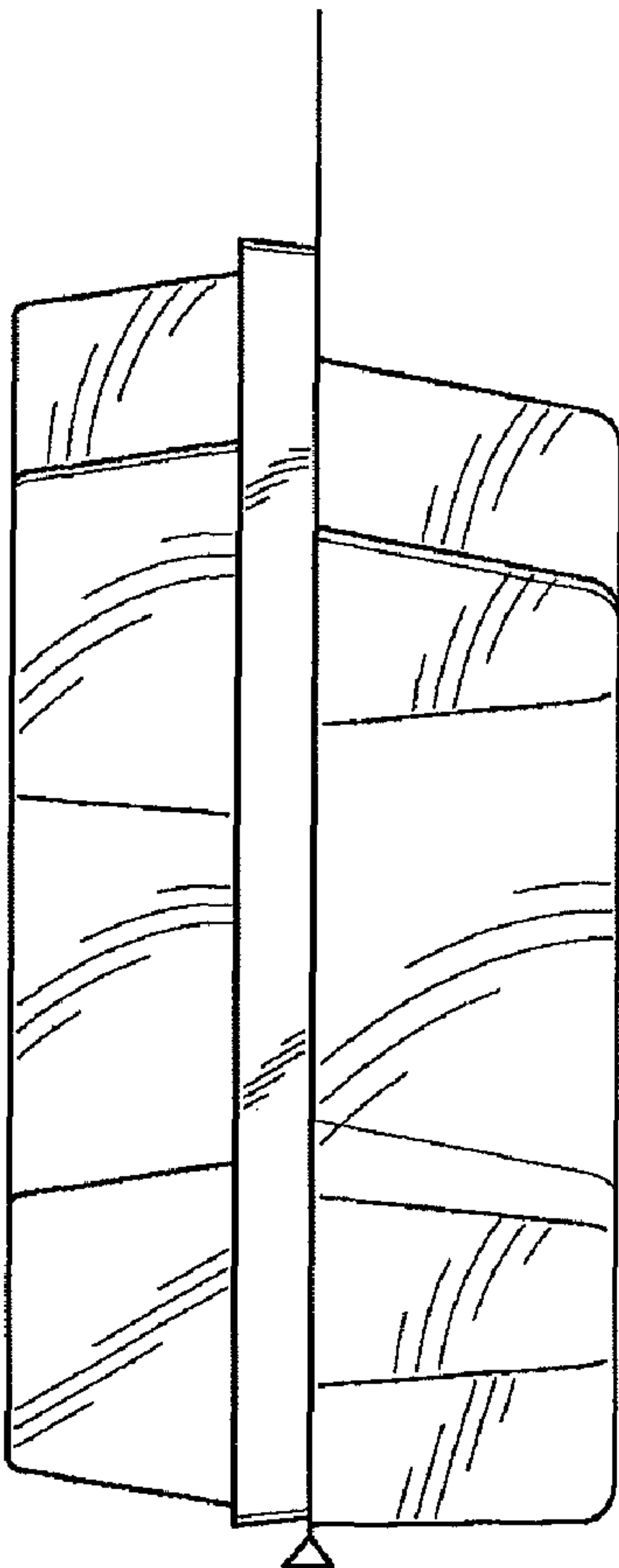


FIG. 5

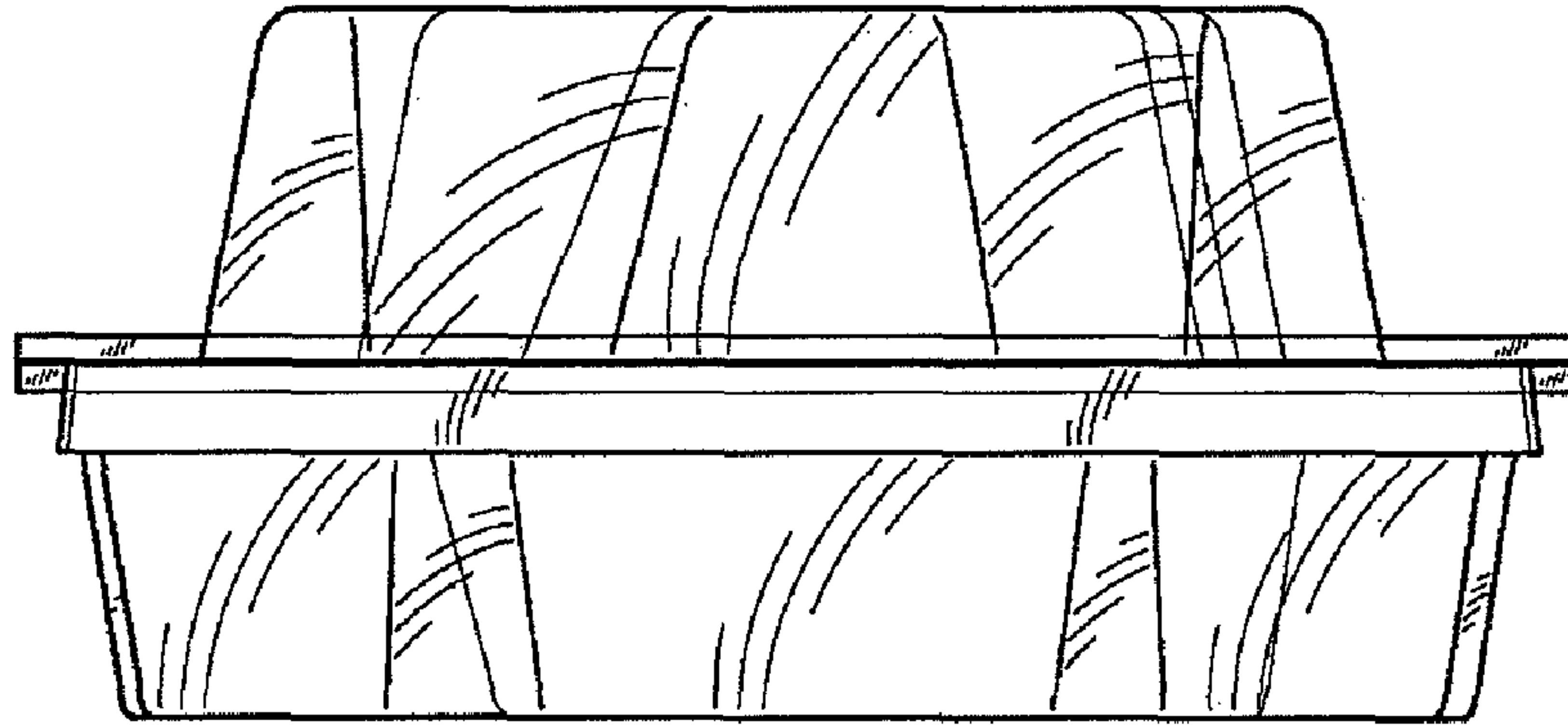


FIG. 6

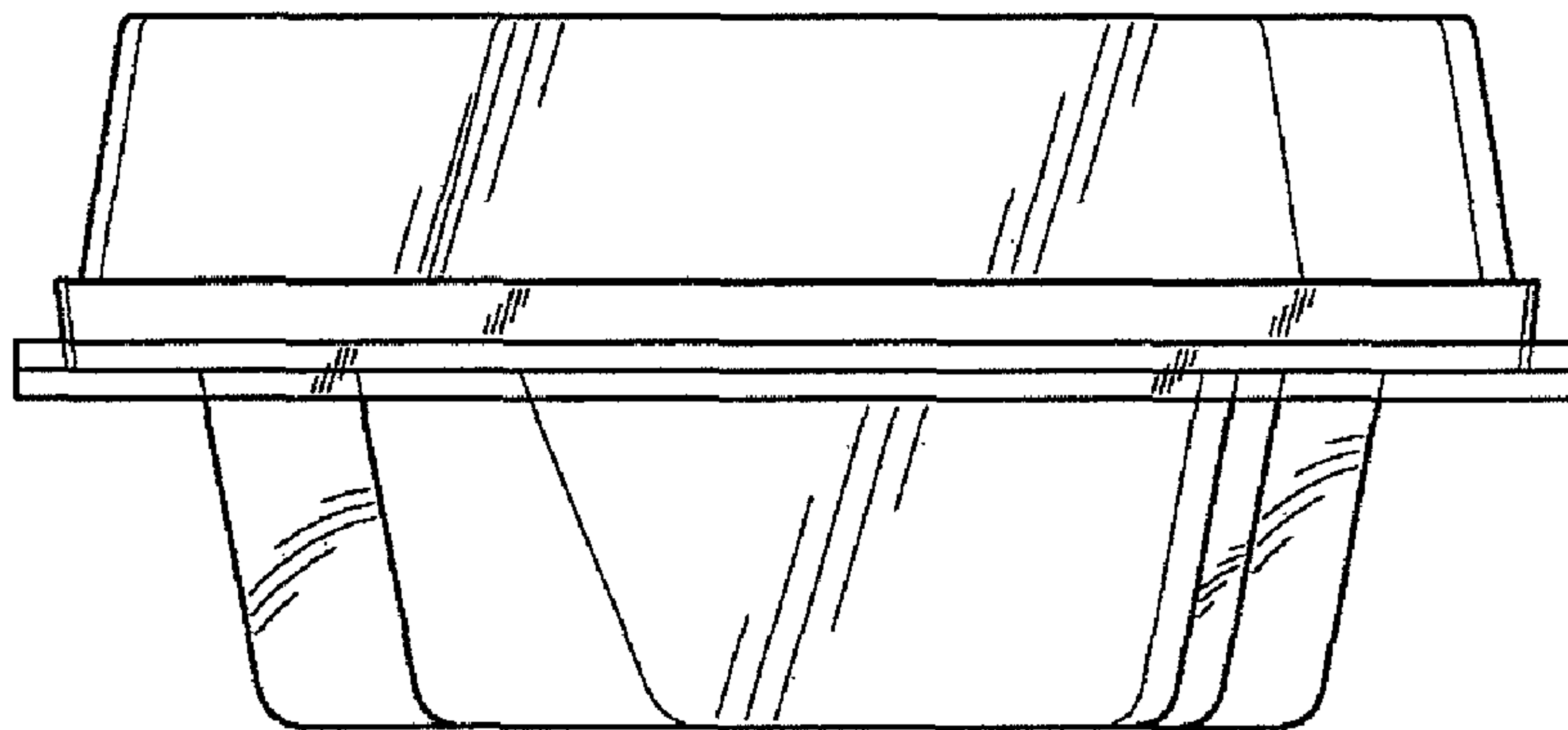


FIG. 7

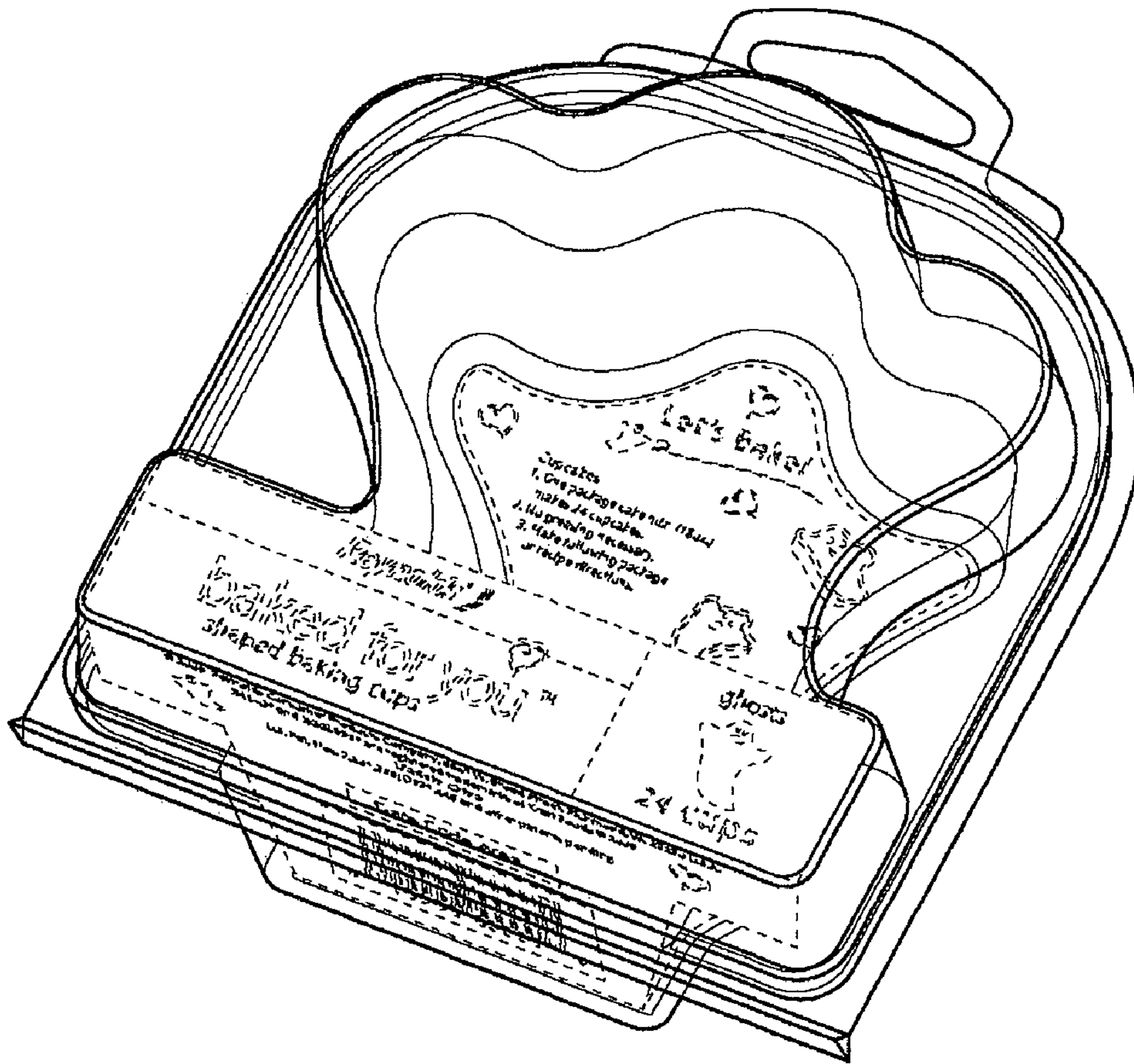


FIG. 8

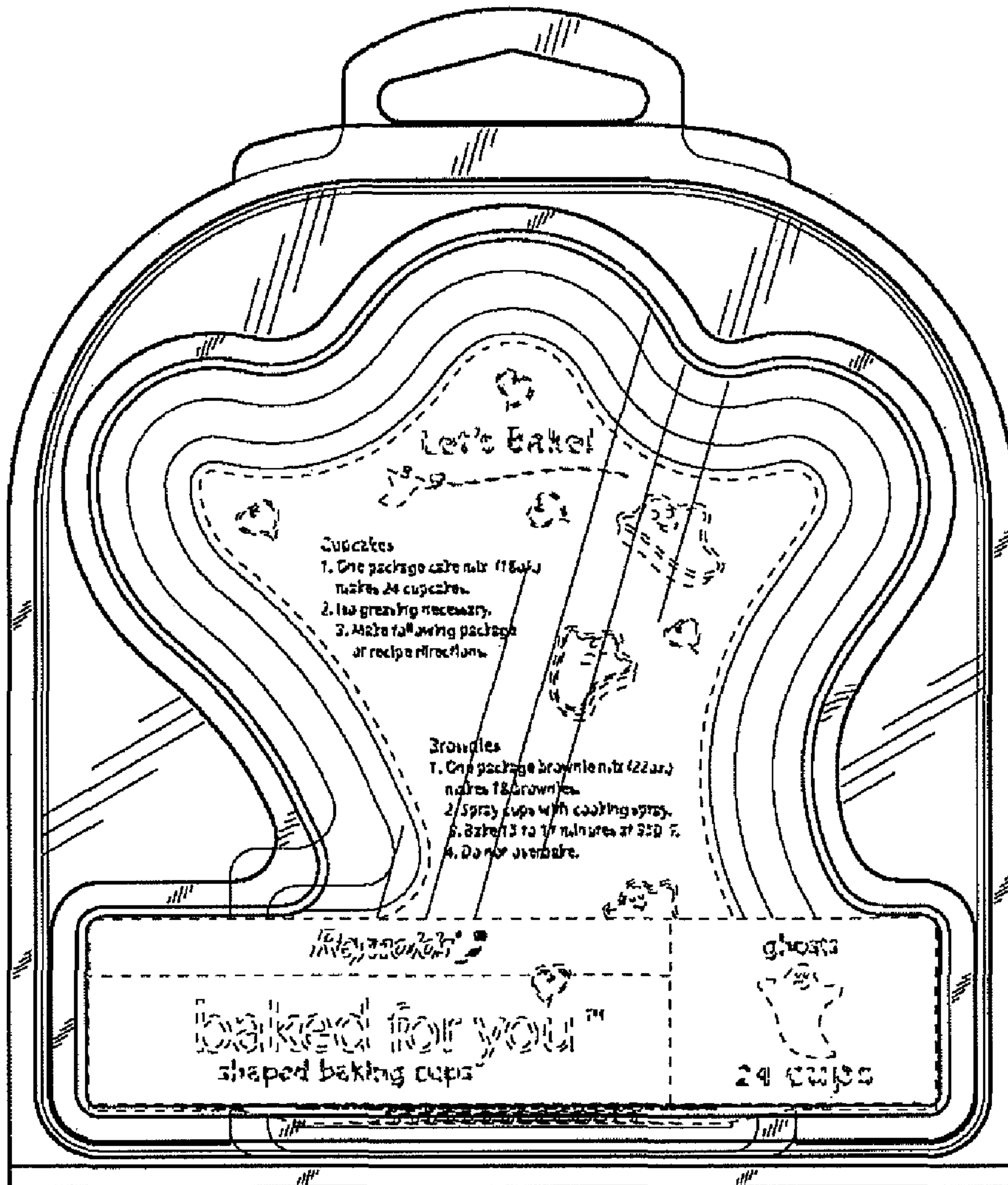


FIG. 9

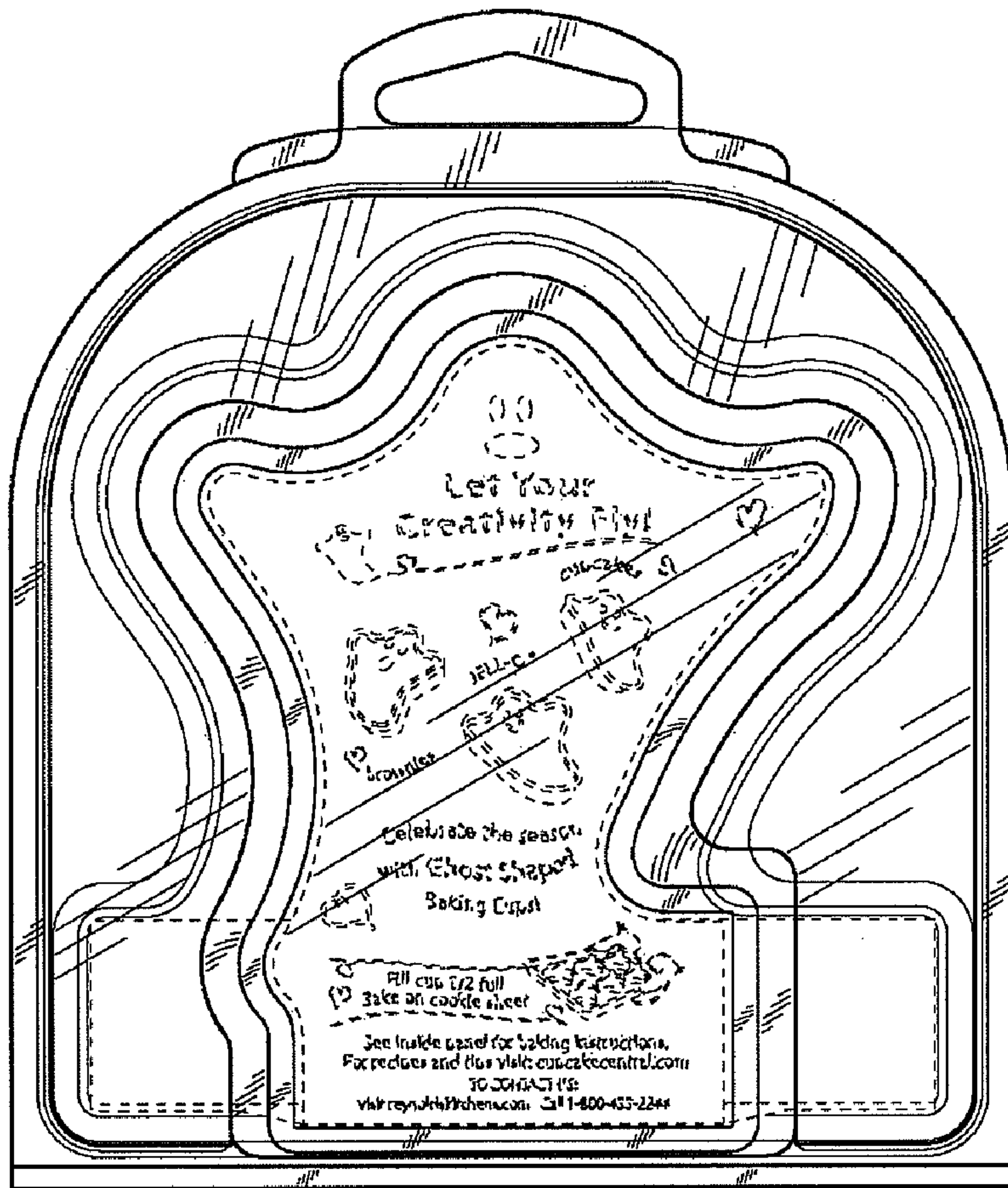


FIG. 10

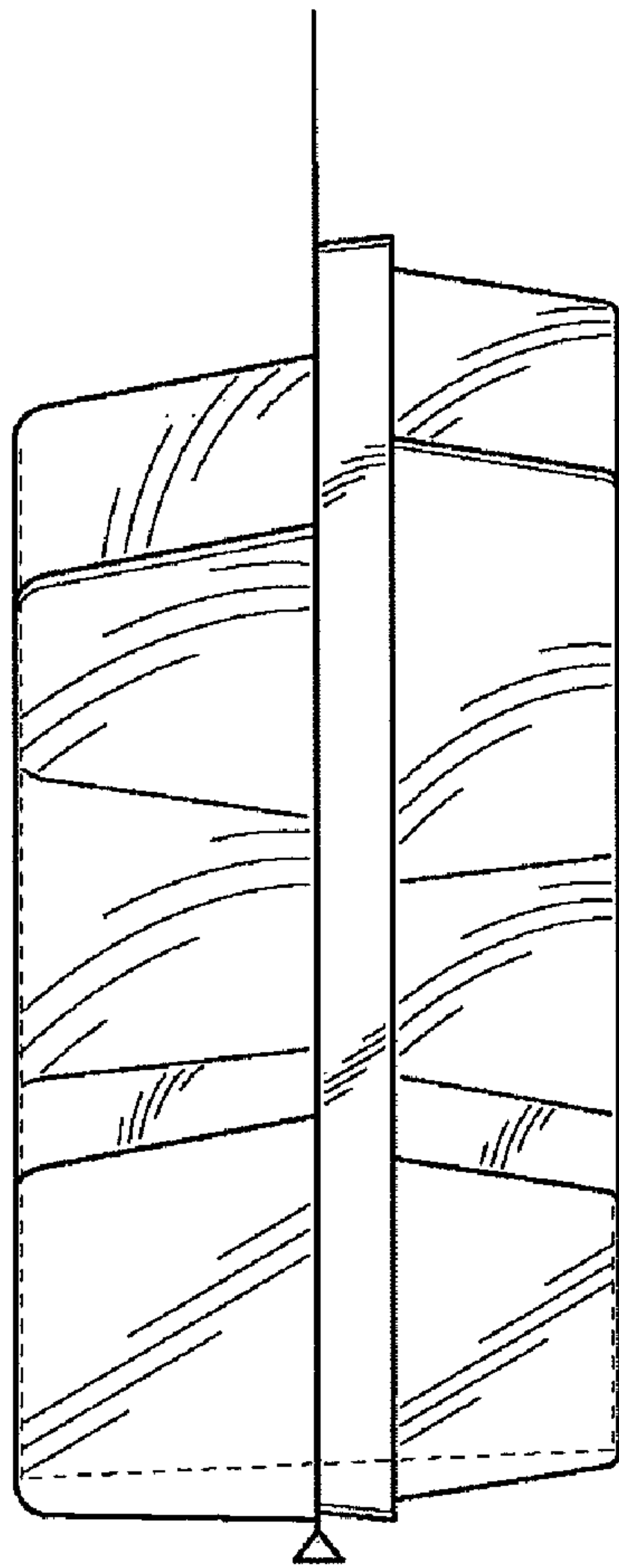


FIG. 11

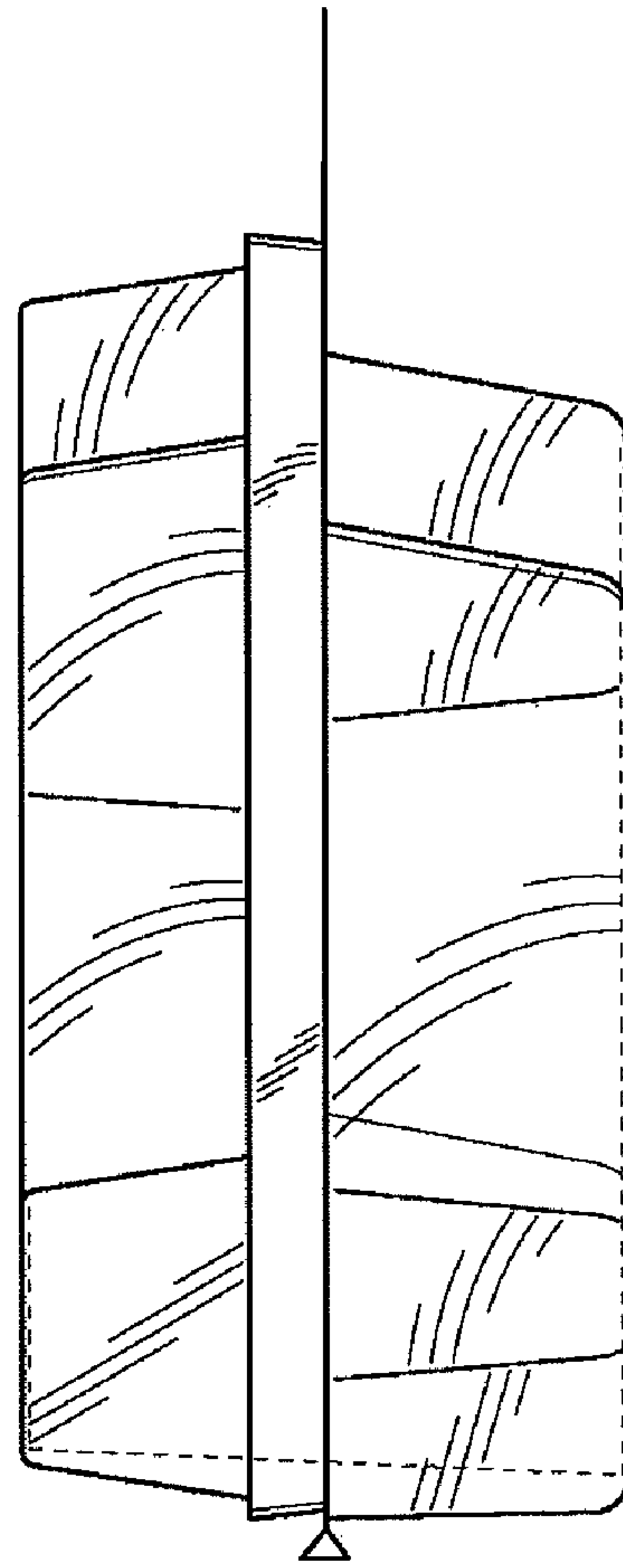


FIG. 12

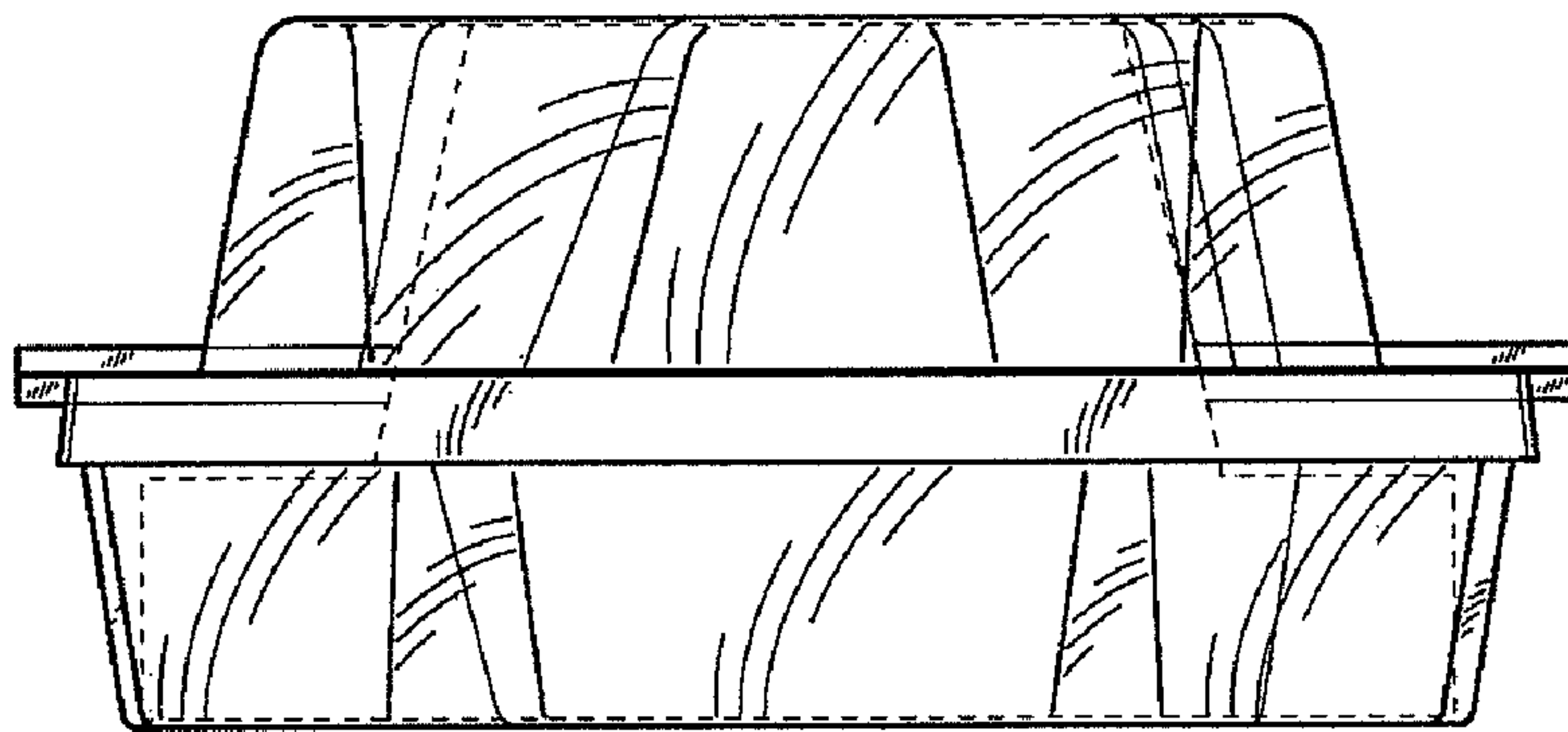


FIG. 13

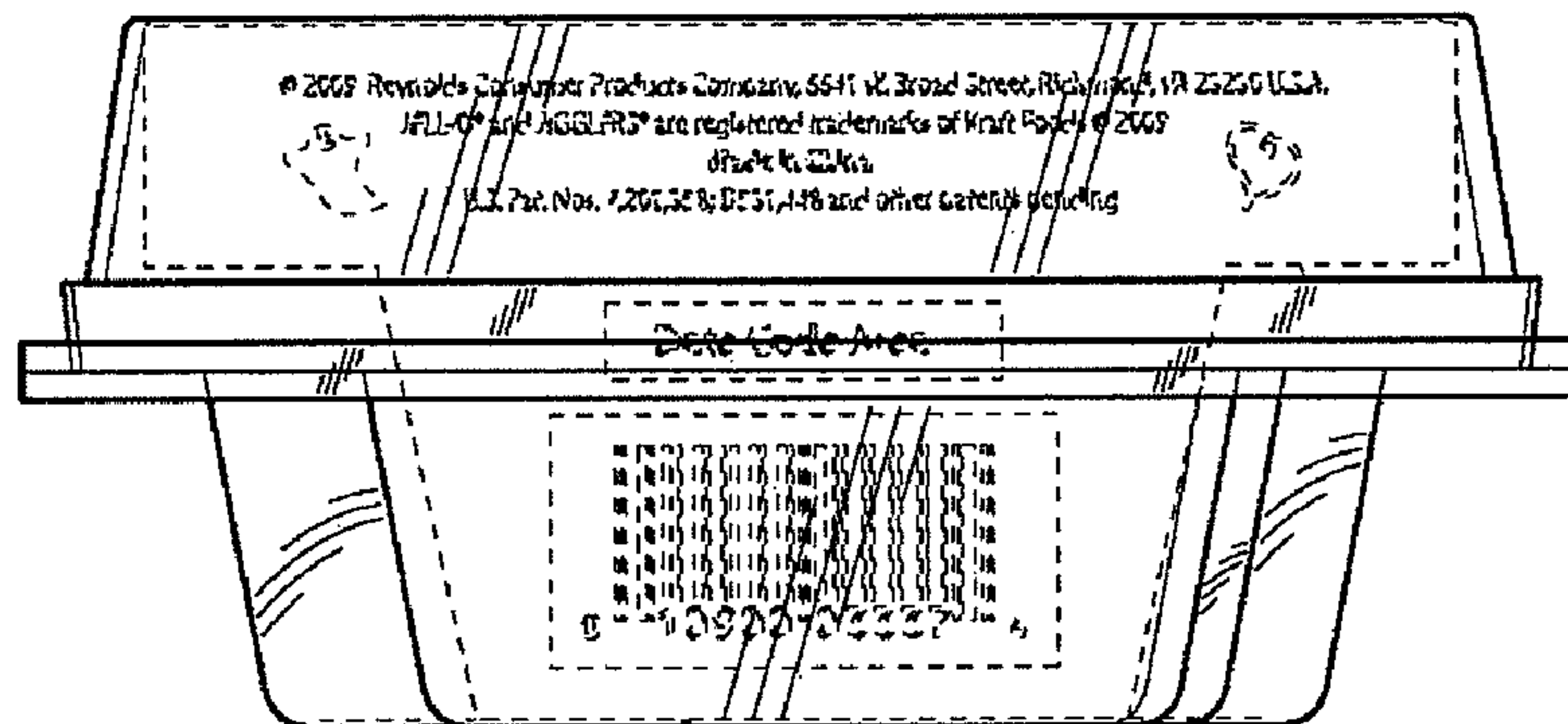


FIG. 14

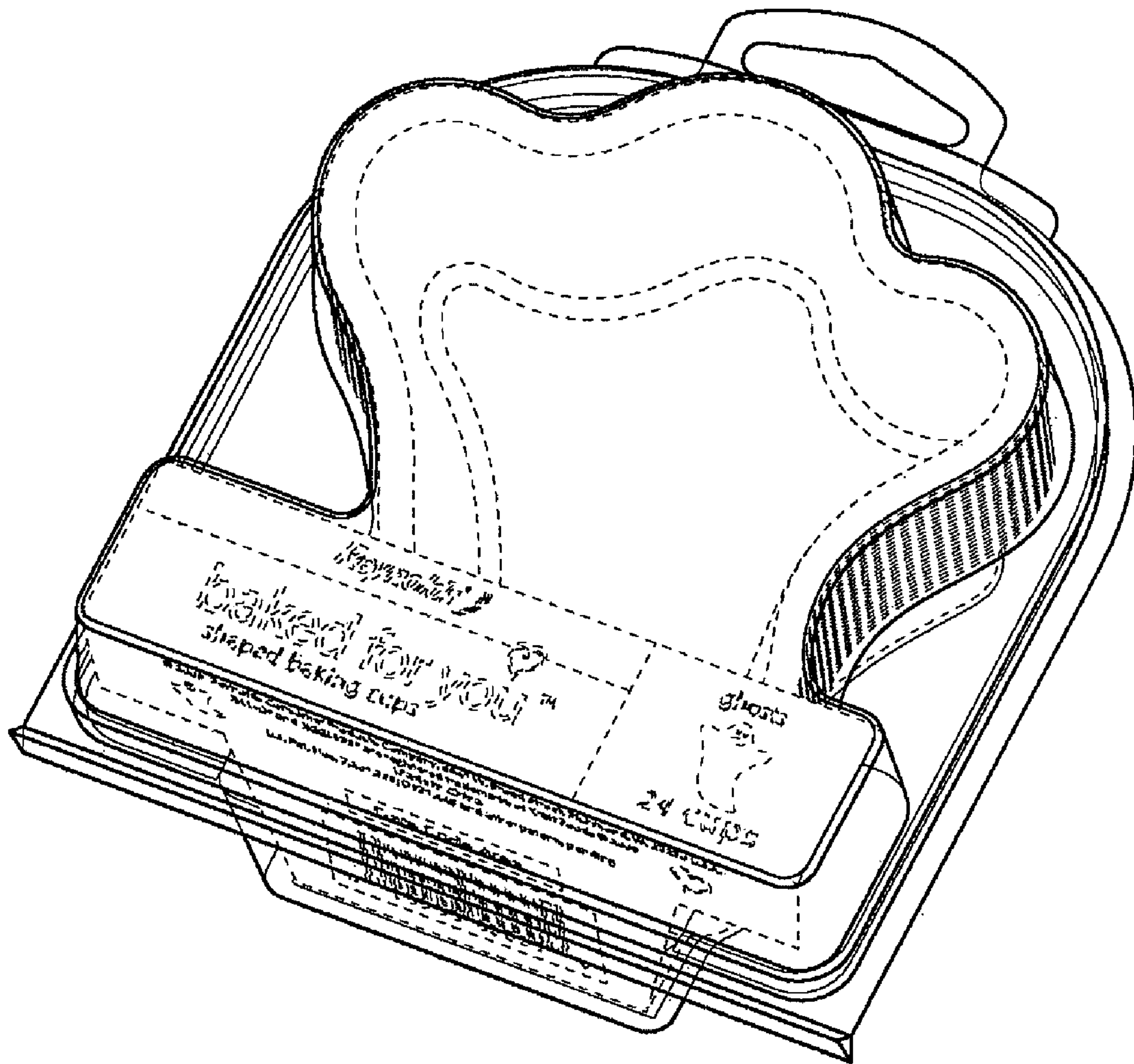


FIG. 15

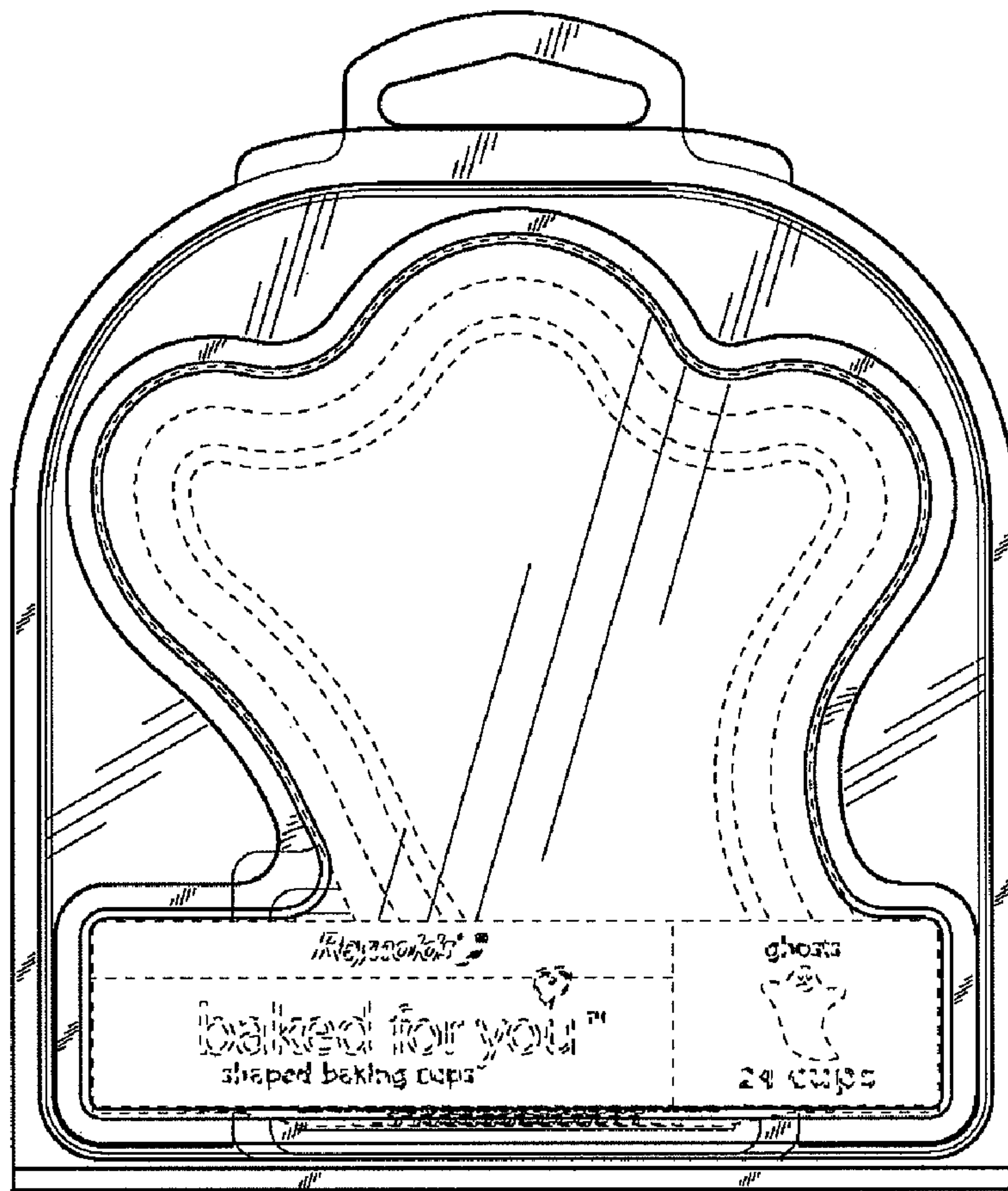


FIG. 16

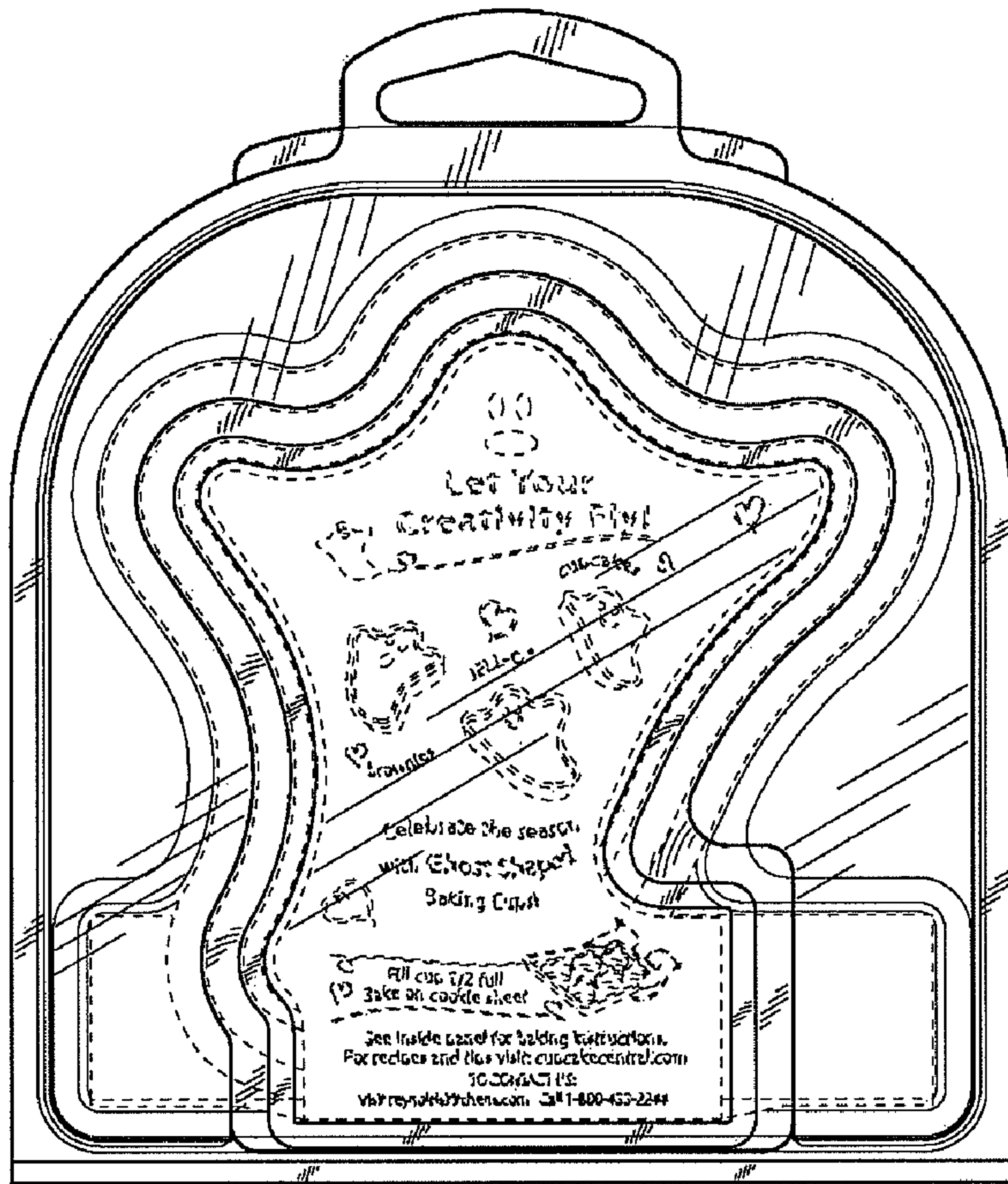


FIG. 17

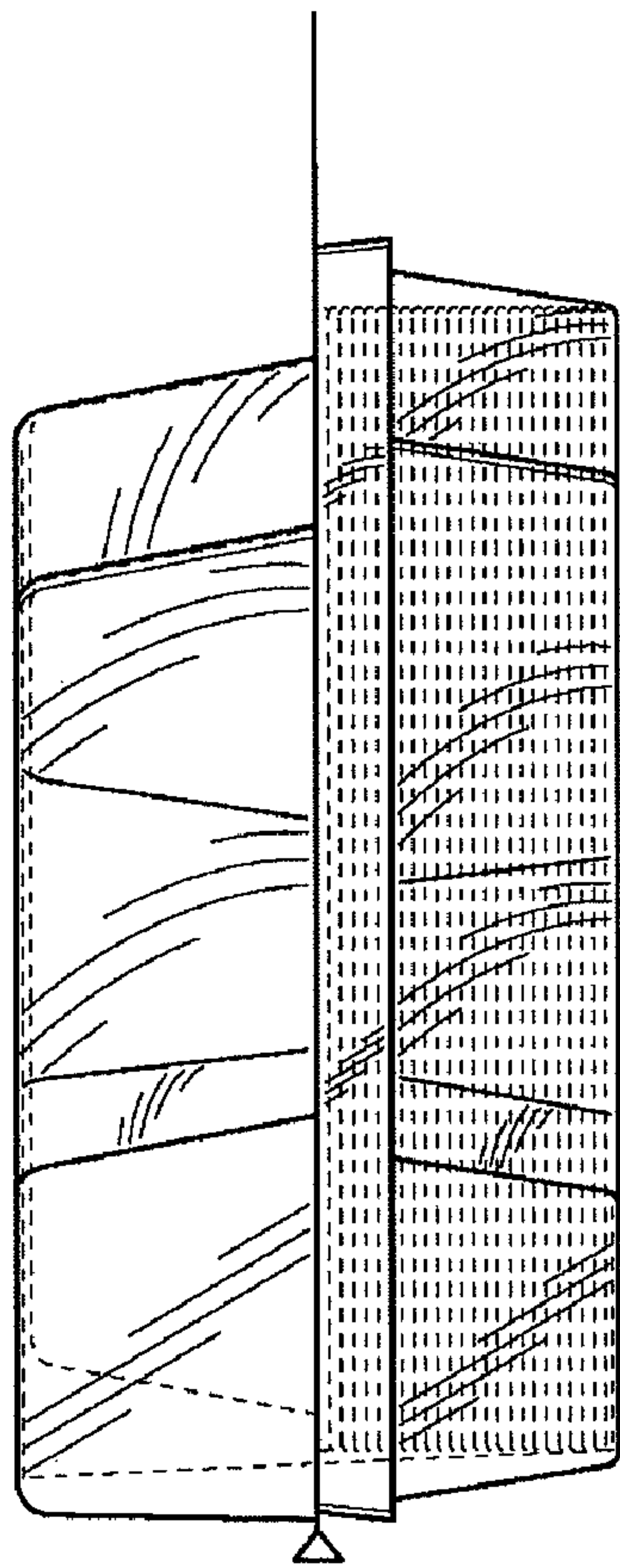


FIG. 18

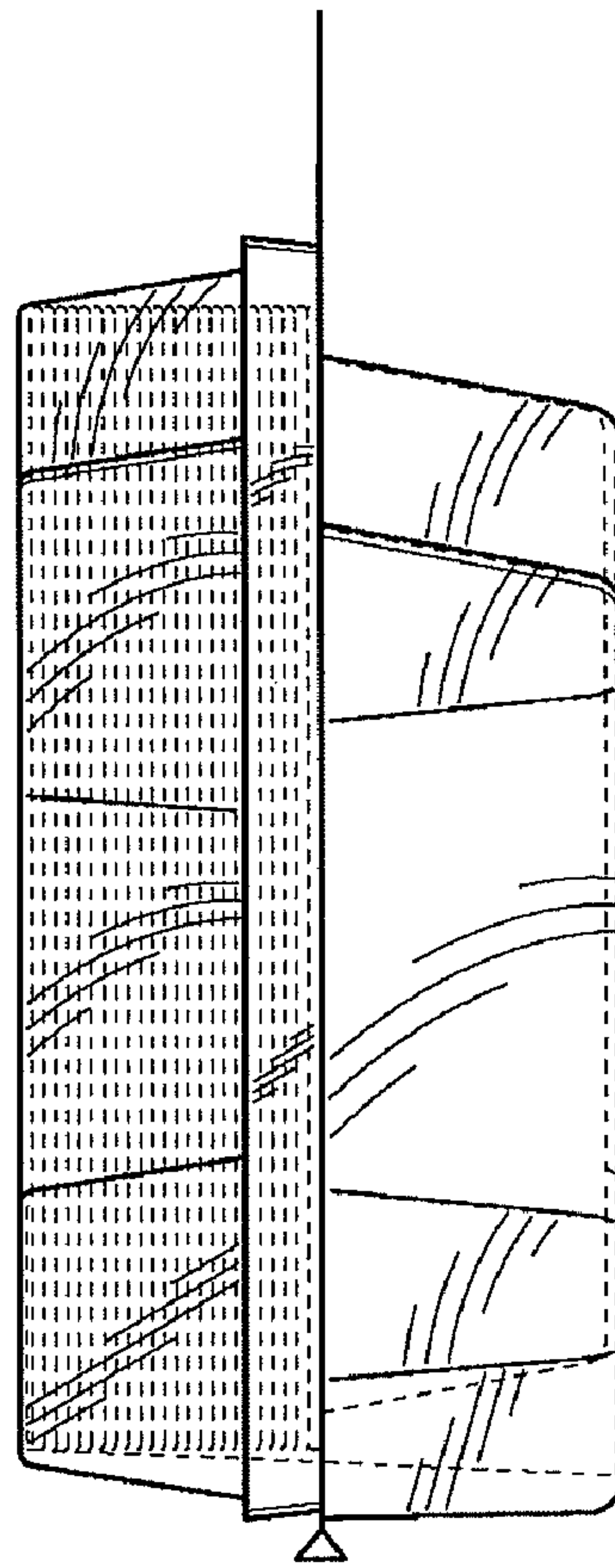


FIG. 19

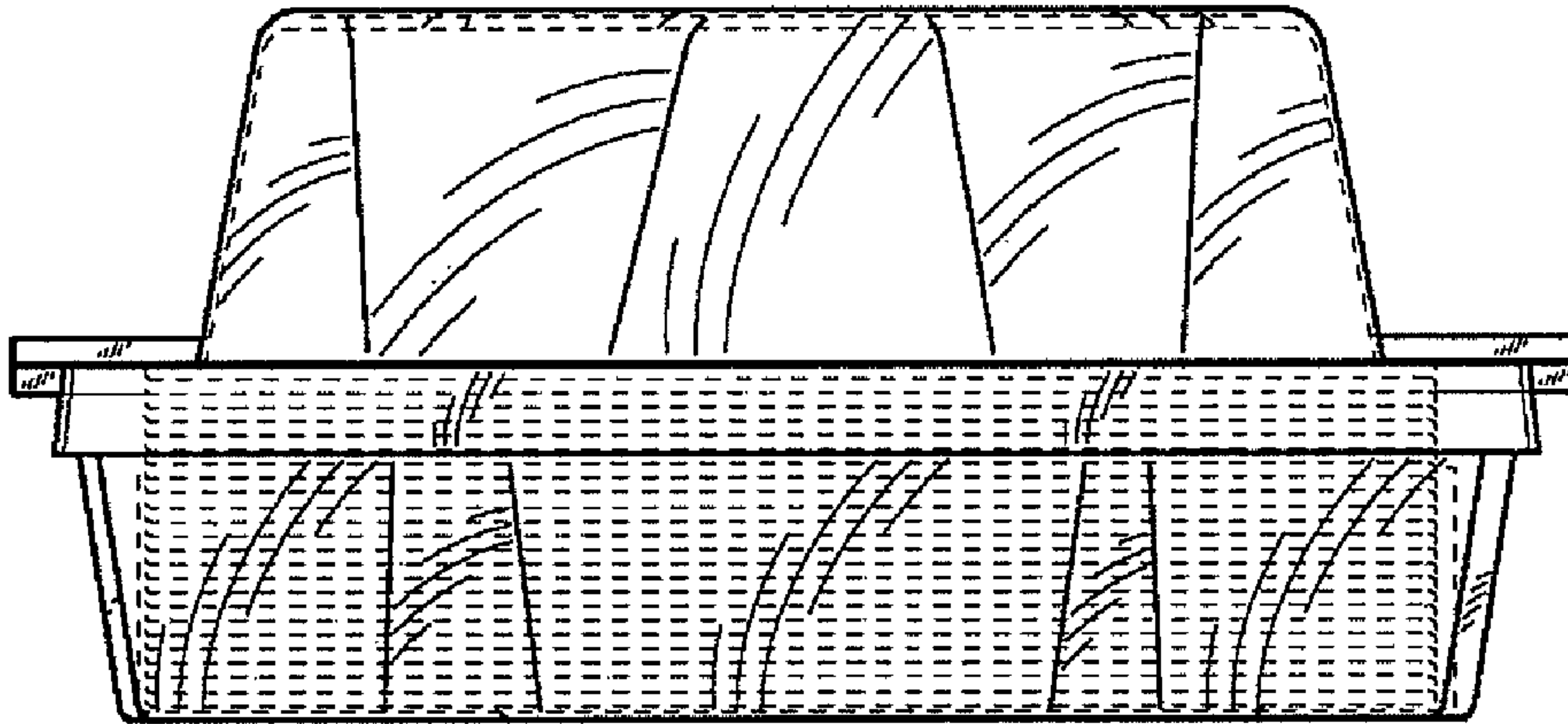


FIG. 20

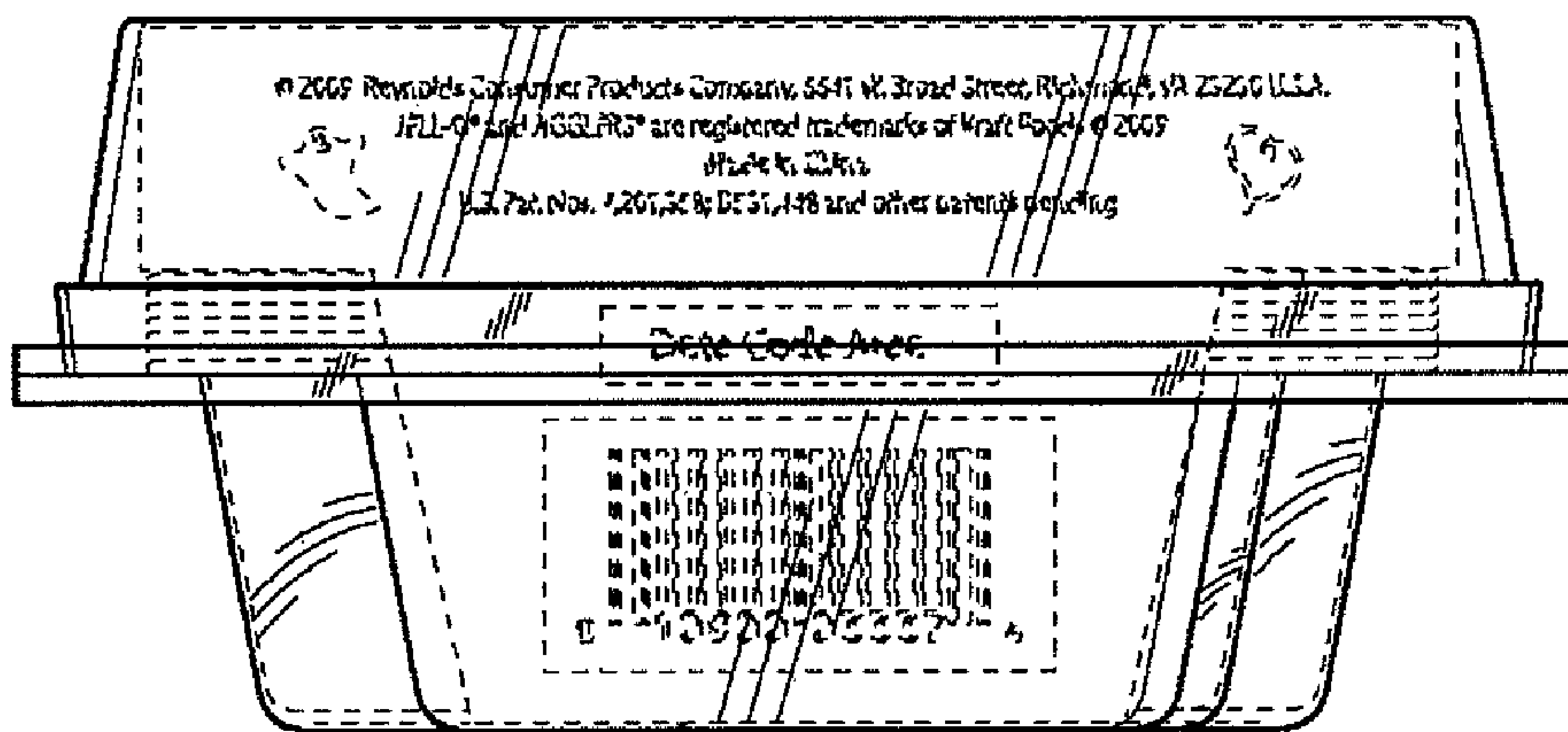


FIG. 21

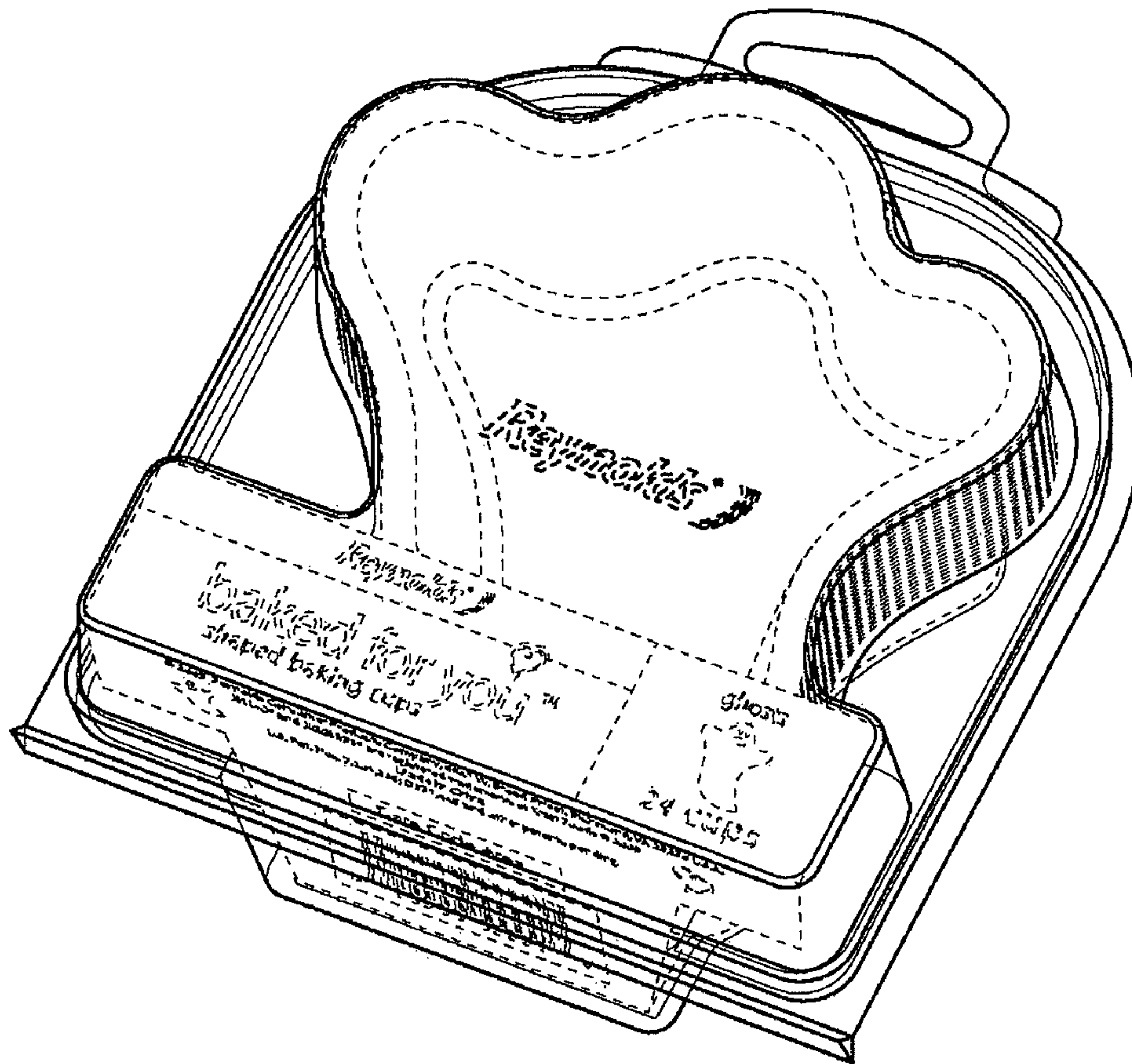


FIG. 22