



US00D653532S

(12) **United States Design Patent**
Vu

(10) **Patent No.:** **US D653,532 S**

(45) **Date of Patent:** **** *Feb. 7, 2012**

(54) **DOOR STOP**

(76) Inventor: **Dac Vu**, Tustin, CA (US)

(*) Notice: This patent is subject to a terminal disclaimer.

(**) Term: **14 Years**

(21) Appl. No.: **29/315,856**

(22) Filed: **Jul. 29, 2009**

(51) **LOC (9) Cl.** **08-09**

(52) **U.S. Cl.** **D8/402; D6/495**

(58) **Field of Classification Search** D8/400-499;
D25/48; 160/181, 182, 379, 377, 110, 112,
160/DIG. 8; 292/259 R, 288, 342-343, DIG. 15;
D21/385, 386, 388; D6/495; D20/19, 42,
D20/43; 16/82, 375, 86 B, 137, 342, 85;
40/331, 599; 248/188.8, 188.4
See application file for complete search history.

(56) **References Cited**

U.S. PATENT DOCUMENTS

58,313	A *	9/1866	Soumeillian	248/188.4
D30,549	S *	4/1899	Callaway	D25/128
842,304	A *	1/1907	Deming	292/17
918,060	A *	4/1909	Kabureck	16/86 R
1,052,081	A *	2/1913	Miltner	156/221
1,486,810	A *	3/1924	Stauffer	30/301
1,626,011	A *	4/1927	O'Neill et al.	312/139
1,672,596	A *	6/1928	Zerk	248/188.5
D81,117	S *	5/1930	Strouse	D21/499
1,886,112	A *	11/1932	Luarde	248/188.4
2,189,048	A *	2/1940	Underhill	16/86 A
2,419,449	A *	4/1947	Hilton	16/86 A
2,652,585	A *	9/1953	Herbenar	16/86 A
2,738,246	A *	3/1956	Hogan, Jr.	248/188.8
2,761,718	A *	9/1956	Tool	292/251.5
2,823,392	A *	2/1958	Barry	5/310
2,826,470	A *	3/1958	Denton	248/188.8

2,842,417	A *	7/1958	Scanlon	248/188.8
D191,784	S *	11/1961	Ingram	D8/402
3,172,144	A *	3/1965	Jamison	16/86 A
3,194,593	A *	7/1965	Hendry	403/83
3,258,515	A *	6/1966	Brown, Jr.	264/177.19
D206,662	S *	1/1967	Karol	D13/156
3,311,069	A *	3/1967	Underwood	426/502
D219,147	S *	11/1970	Propst	D13/156
D226,200	S *	1/1973	Friedman	D25/132
4,042,199	A *	8/1977	Winkler	248/188.8
4,110,550	A *	8/1978	Di Pietro	174/19
D253,335	S *	11/1979	Gauntner et al.	D8/402
D259,110	S *	5/1981	Russell	D11/88
D277,645	S *	2/1985	McGarry	D8/402
D286,135	S *	10/1986	Looney	D8/402
D294,486	S *	3/1988	Opitz	D13/156
4,782,553	A *	11/1988	Morrison	16/86 A
D303,626	S *	9/1989	Morrison	D8/402
D331,567	S *	12/1992	Braga et al.	D13/156

(Continued)

Primary Examiner — Cathron Brooks

Assistant Examiner — Barbara Fox

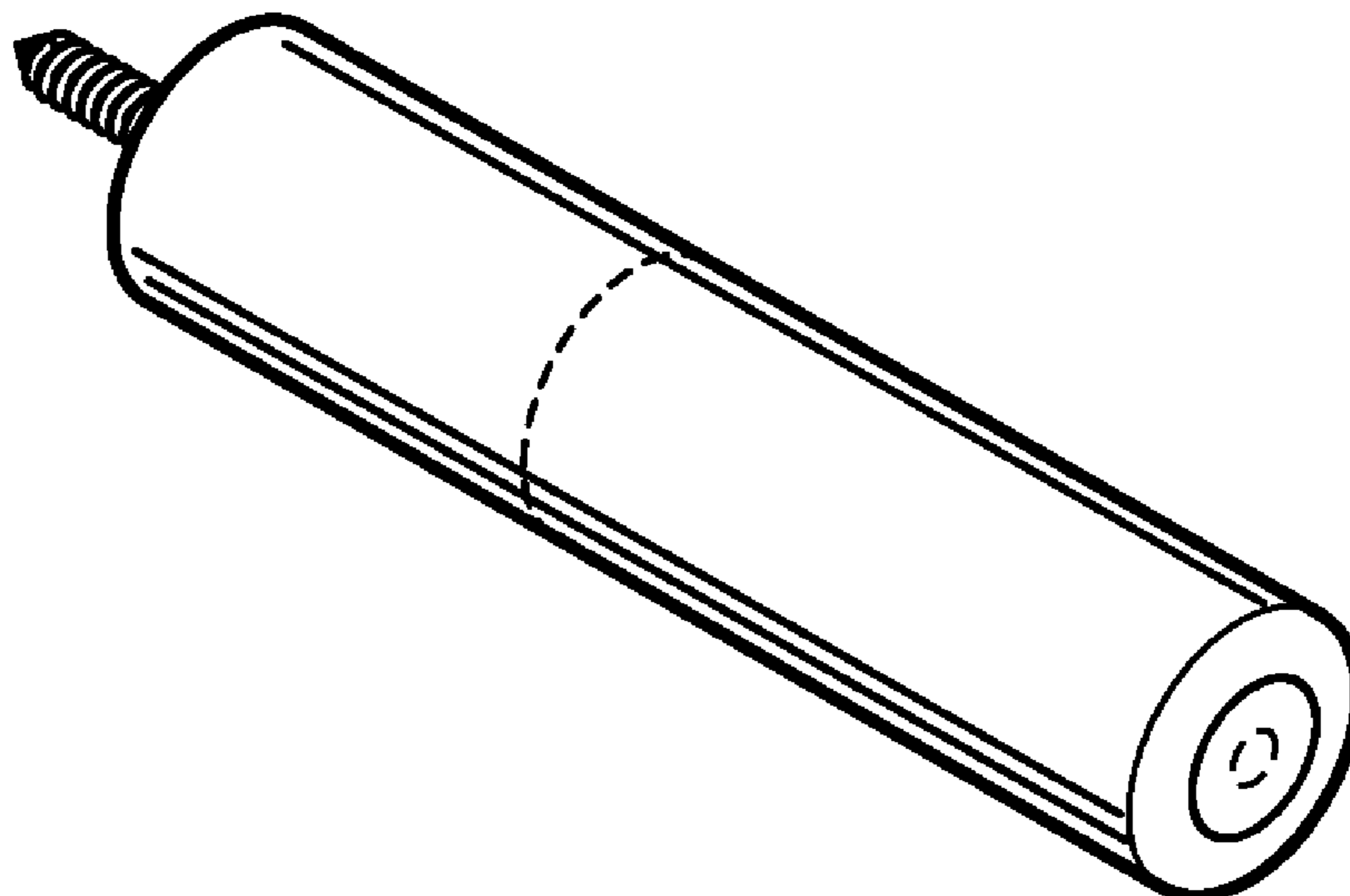
(57) **CLAIM**

The ornamental design for a door stop, as shown and described.

DESCRIPTION

FIG. 1 is a perspective view of a door stop showing the new design;
FIG. 2 is a perspective view of the door stop of FIG. 1 from a different angle;
FIG. 3 is a rear end view of the door stop of FIG. 1;
FIG. 4 is a side view of the door stop of FIG. 1; and,
FIG. 5 is a front end view of the door stop of FIG. 1.
The broken lines shown in the drawings are for the purpose of illustrating unclaimed portions of the door stop and form no part of the claimed design.

1 Claim, 2 Drawing Sheets



US D653,532 S

Page 2

U.S. PATENT DOCUMENTS

5,284,038	A *	2/1994	Johnson	70/232	D487,395	S *	3/2004	Wockenfuss	D8/402
5,575,514	A *	11/1996	Troy	292/340	D563,158	S *	3/2008	Collins	D7/393
D433,931	S *	11/2000	Poplin	D8/402	7,412,751	B2 *	8/2008	Forrest	16/82
6,171,312	B1 *	1/2001	Beaty	606/80	2004/0045128	A1 *	3/2004	Frushour	16/82
6,273,257	B1 *	8/2001	Mossbeck	206/497	2004/0181903	A1 *	9/2004	Salice	16/82

* cited by examiner

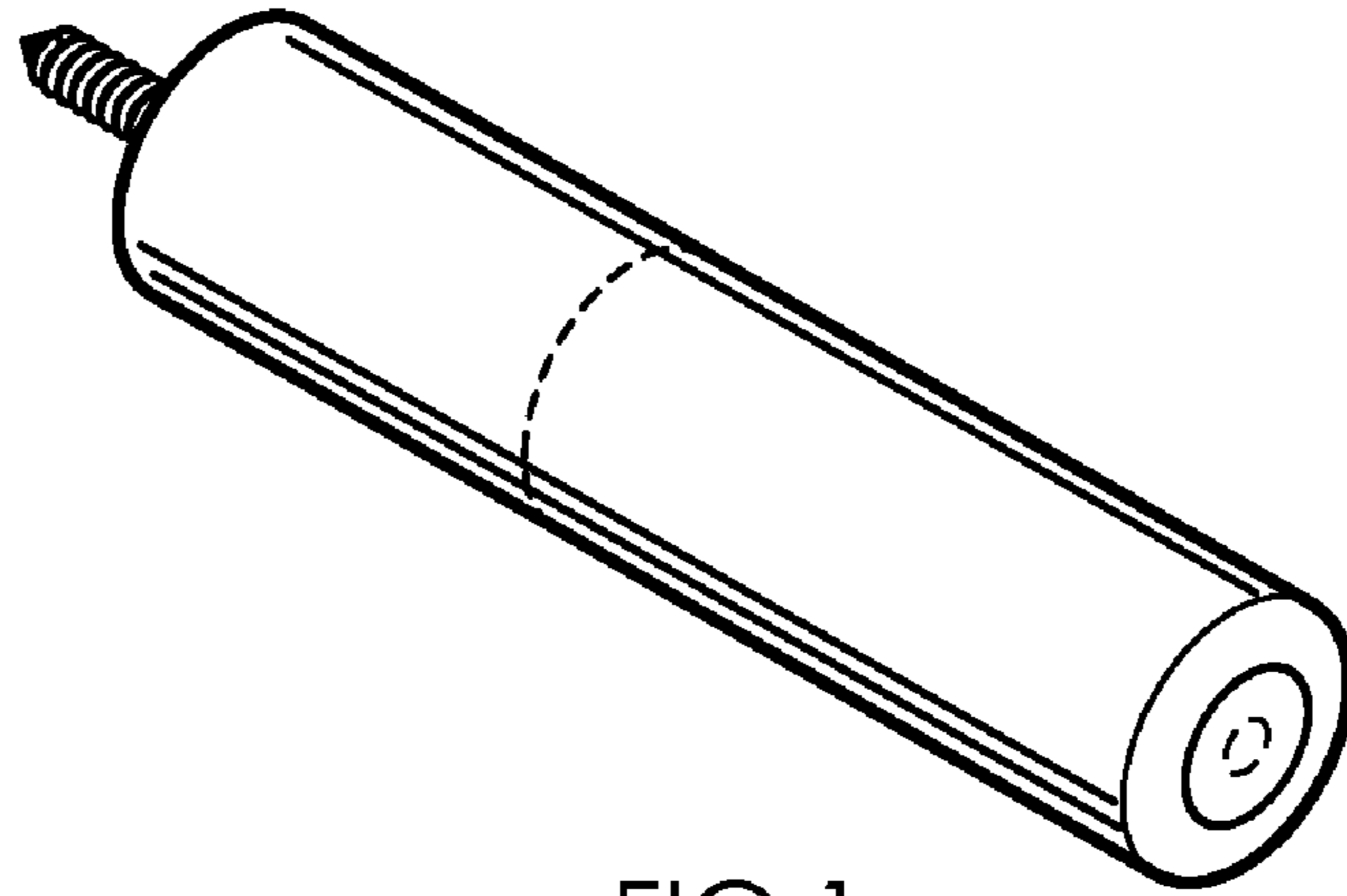


FIG 1

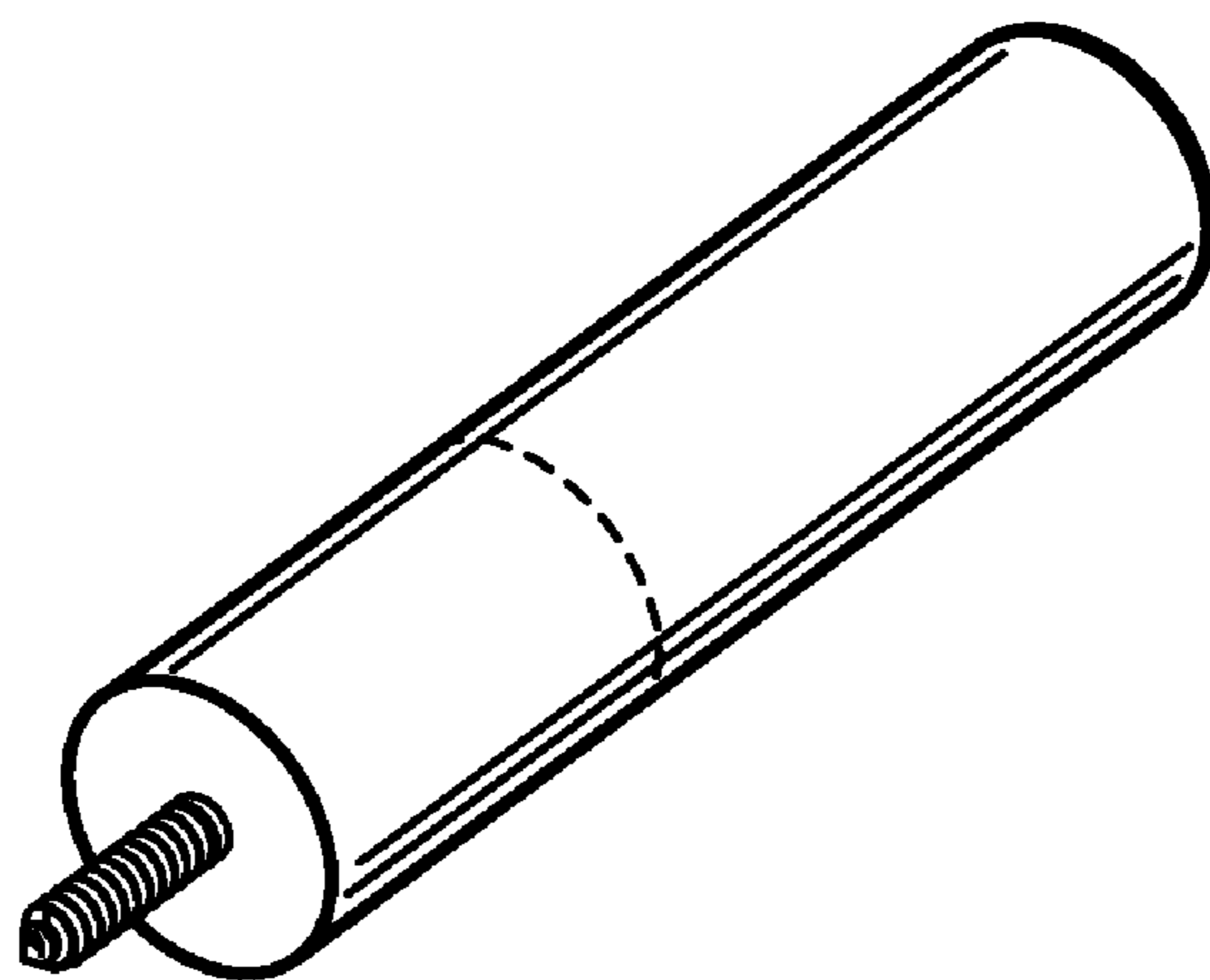


FIG 2

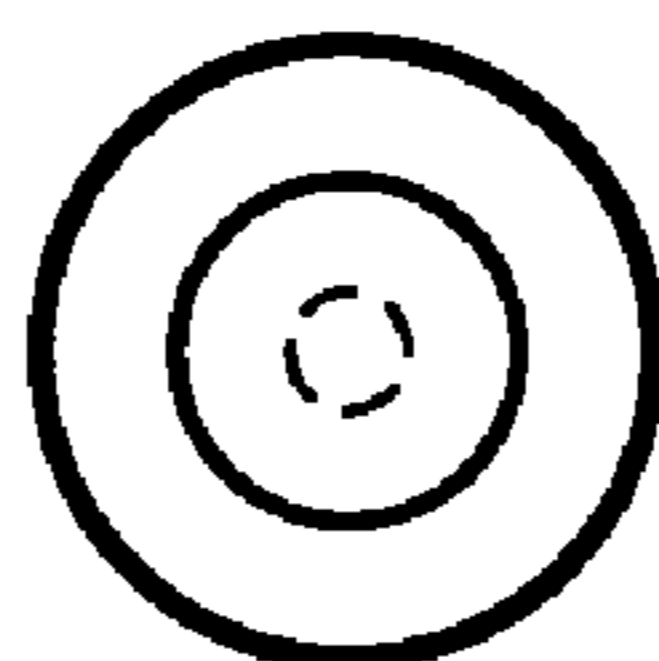


FIG 5

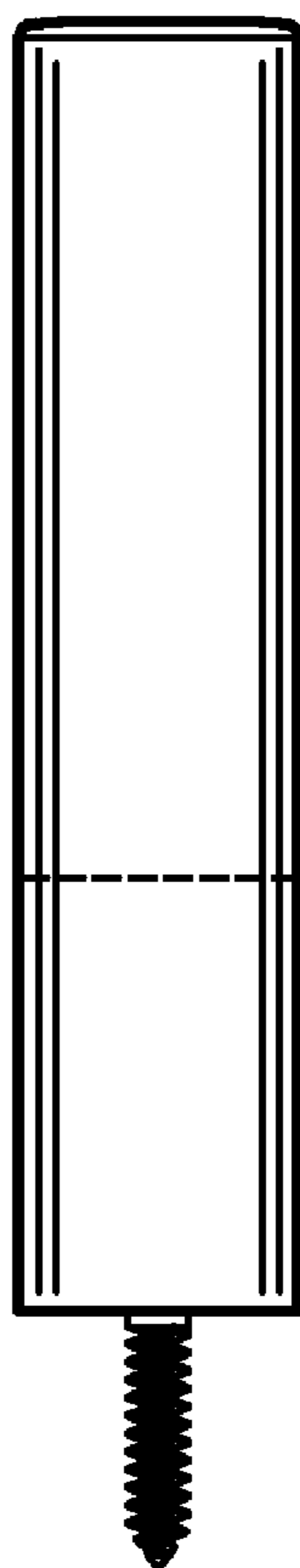


FIG 4

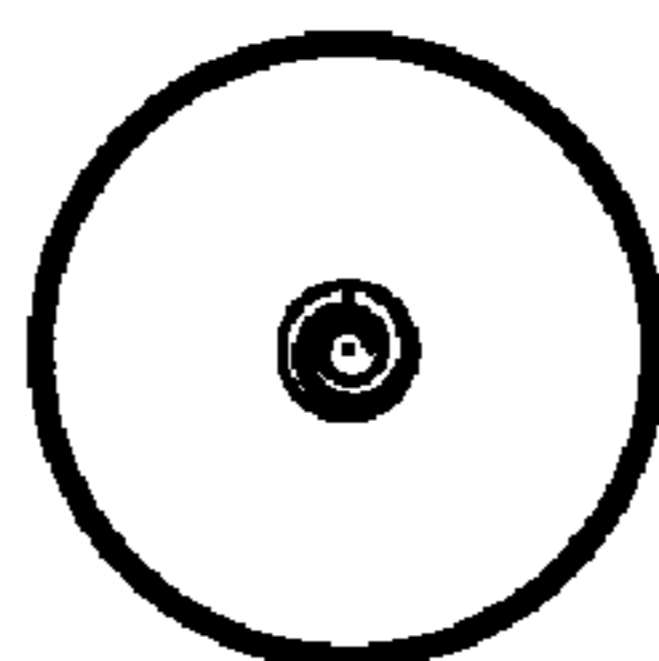


FIG 3