



US00D653528S

(12) **United States Design Patent**  
**Choi et al.**

(10) **Patent No.:** **US D653,528 S**

(45) **Date of Patent:** **\*\* Feb. 7, 2012**

(54) **HORIZONTAL STRUCTURAL MEMBER FOR SHELVING**

2008/0145197 A1 6/2008 Taylor et al.  
2008/0179267 A1 7/2008 Johnson  
2010/0200716 A1 8/2010 White, III

(76) Inventors: **Cheon Soon Choi**, Seoul (KR); **Jong Won Choi**, Yongin-si (KR)

\* cited by examiner

(\*\*) Term: **14 Years**

*Primary Examiner* — Susan Bennett Hattan

(21) Appl. No.: **29/393,279**

(74) *Attorney, Agent, or Firm* — LRK Patent Law Firm

(22) Filed: **Jun. 1, 2011**

(57) **CLAIM**

The ornamental design for a horizontal structural member for shelving, as shown and described.

(51) **LOC (9) Cl.** ..... **08-05**

**DESCRIPTION**

(52) **U.S. Cl.** ..... **D8/381**

(58) **Field of Classification Search** ..... D8/394,  
D8/381, 380, 373, 371, 366, 354, 349; D6/574,  
D6/511, 479, 478, 474, 466, 463, 436, 399;  
D25/132, 131, 126, 123; D23/267; 248/68.1,  
248/65, 49, 243; 211/87.01, 191–193, 188,  
211/187, 134; 108/157.13, 152, 110, 108,  
108/105

FIG. 1 is a perspective view of the horizontal structural member for shelving of my new design;  
FIG. 2 is a front elevational view thereof;  
FIG. 3 is a rear elevational view thereof;  
FIG. 4 is a left side elevational view thereof, a right side elevational view thereof being a mirror image of the left side elevational view;  
FIG. 5 is a top plan view thereof;  
FIG. 6 is a bottom plan view thereof;  
FIG. 7 is a front elevational view of a partial rack assembly, seen from an outer side thereof, for showing coupling state with a vertical structural member; and,  
FIG. 8 is a rear elevational view of a partial rack assembly, seen from an inner side thereof, for showing coupling state with a vertical structural member.

See application file for complete search history.

The alternate long and two short dash lines shown in FIGS. 1-3 and 5-8 indicate that there is no particular length claimed. The broken lines shown in FIGS. 7 and 8 show the vertical structural member and the lateral connection member and form no part of the claimed design.

(56) **References Cited**

U.S. PATENT DOCUMENTS

4,549,665	A	10/1985	Smitley	
5,350,074	A	9/1994	Rosenband	
5,553,549	A	9/1996	Nilsson	
5,632,389	A	5/1997	Rosenband	
D554,978	S *	11/2007	Radke	D8/354
D596,017	S *	7/2009	Sato	D8/380
D597,354	S	8/2009	Liss	
D626,817	S *	11/2010	Donowho et al.	D8/356
D627,214	S *	11/2010	Kluge et al.	D8/381
2005/0039645	A1	2/2005	Bulk et al.	

**1 Claim, 6 Drawing Sheets**

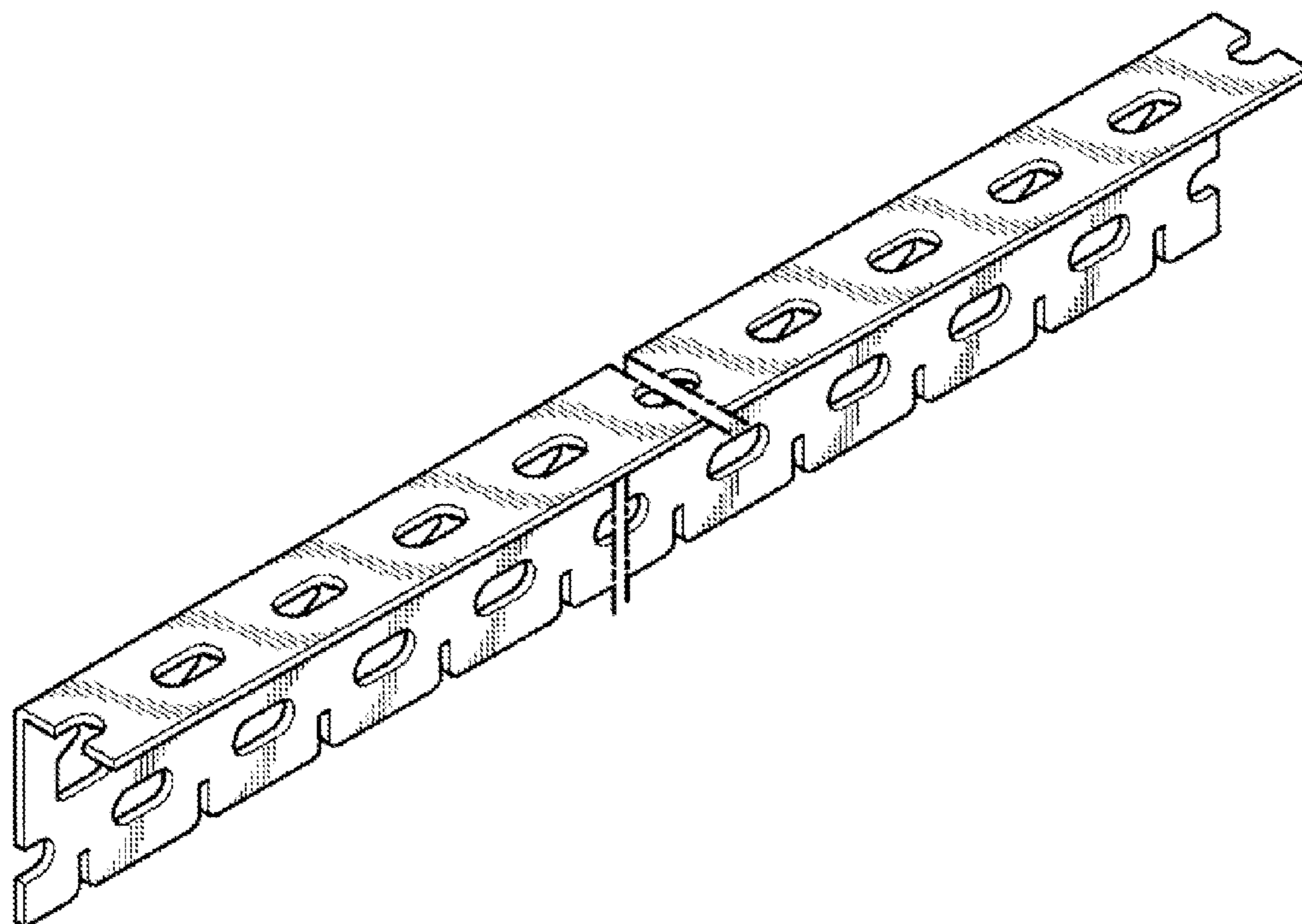


FIG. 1

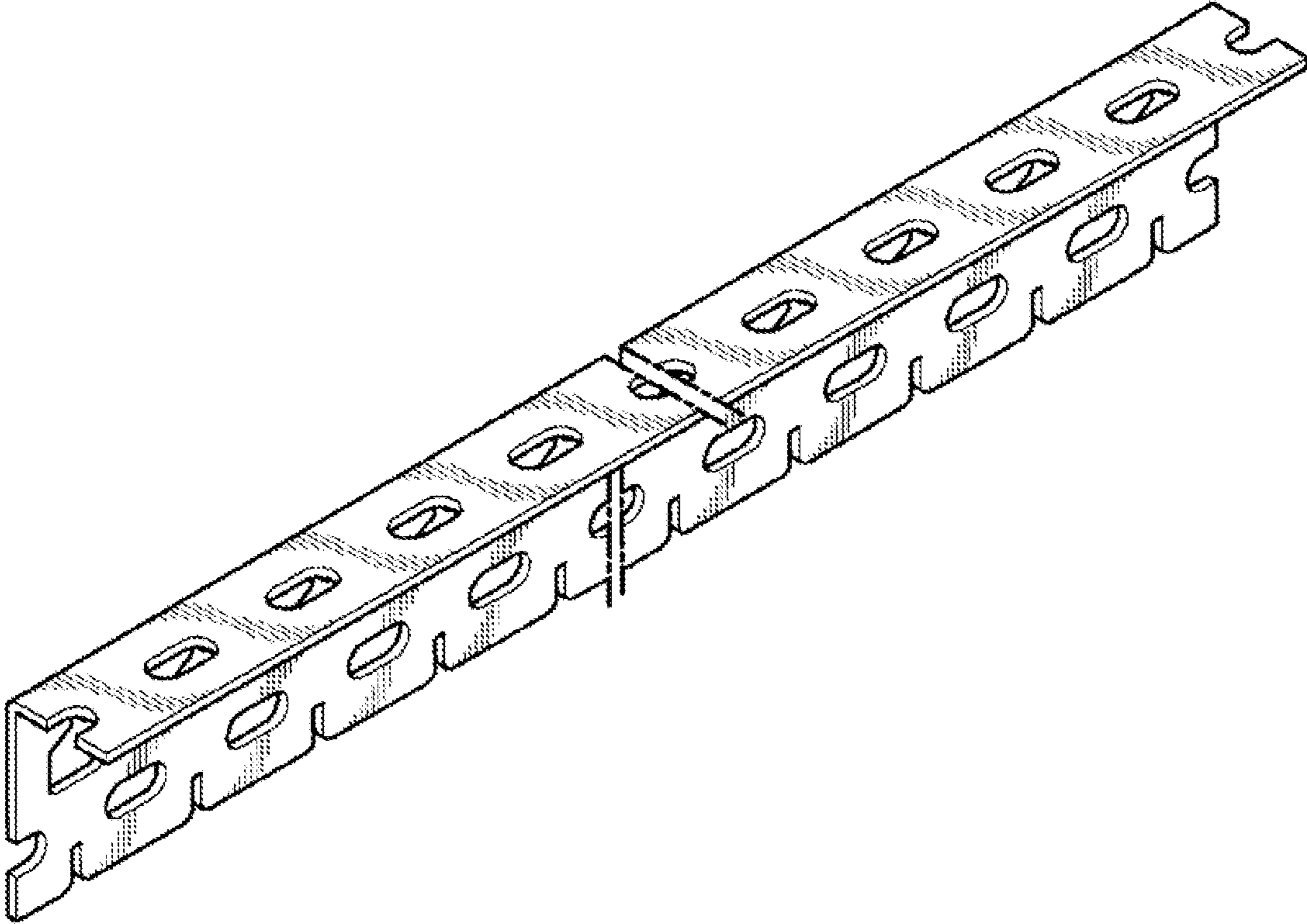


FIG. 2

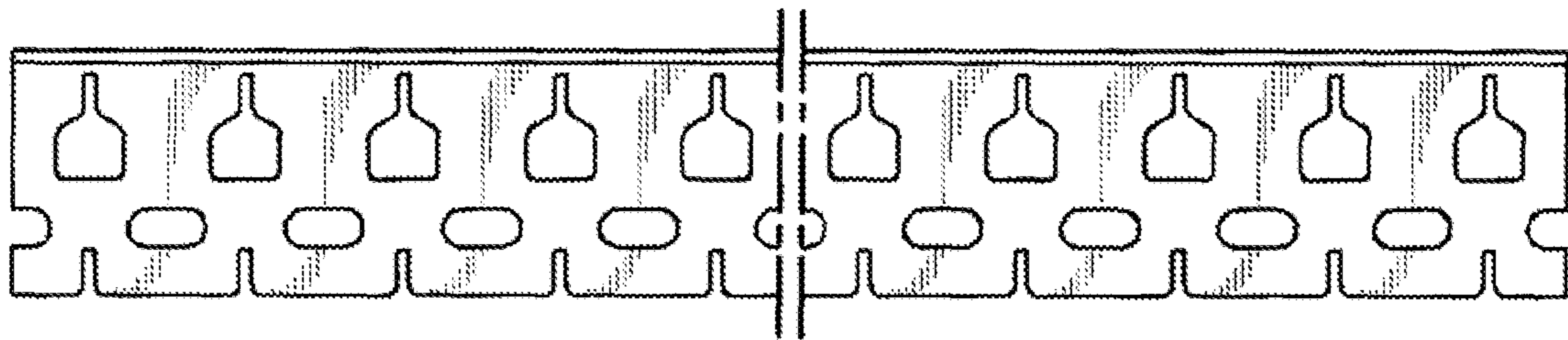


FIG. 3

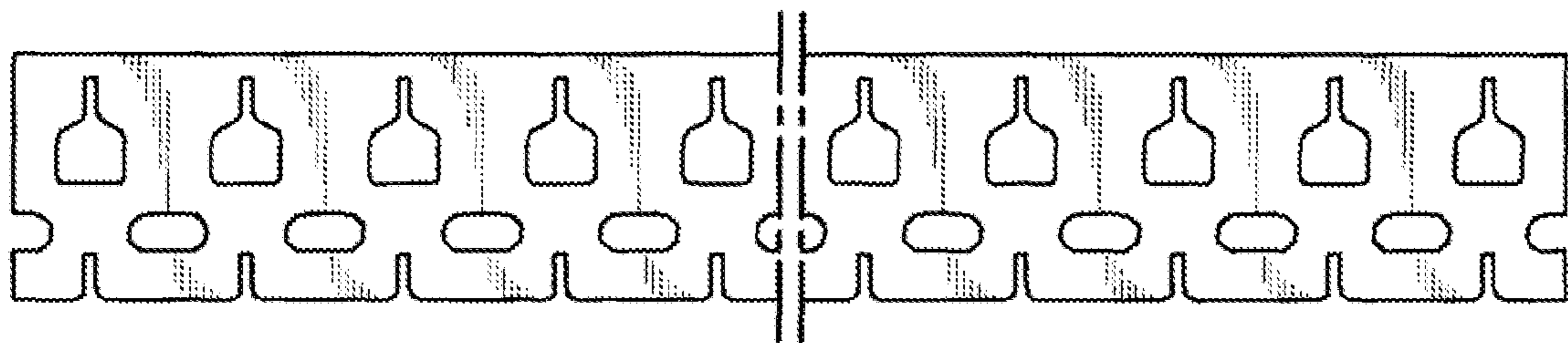


FIG. 4

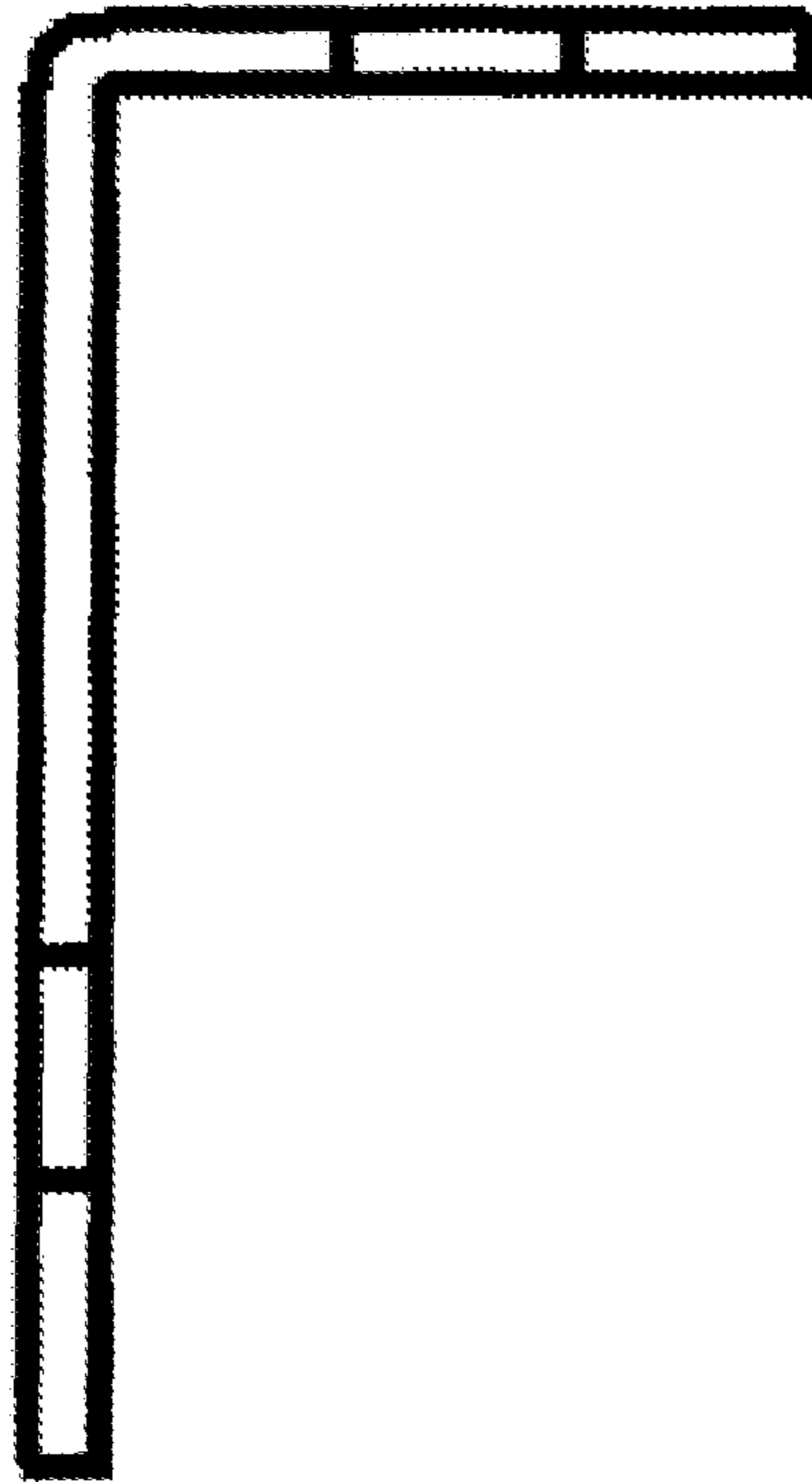


FIG. 5

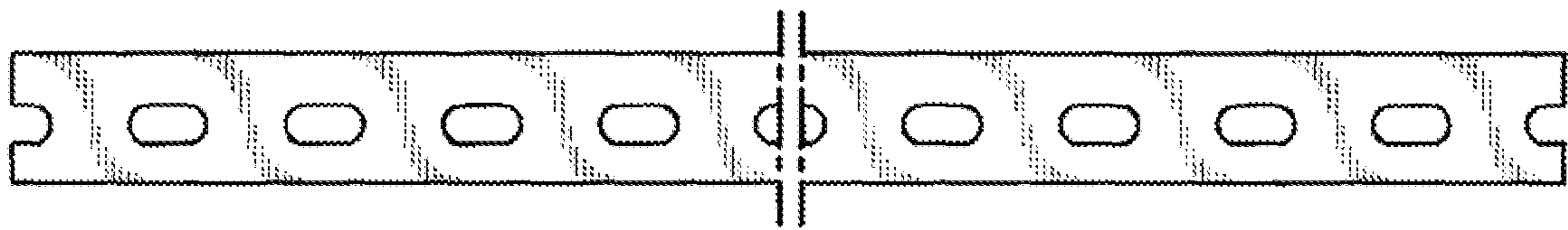


FIG. 6

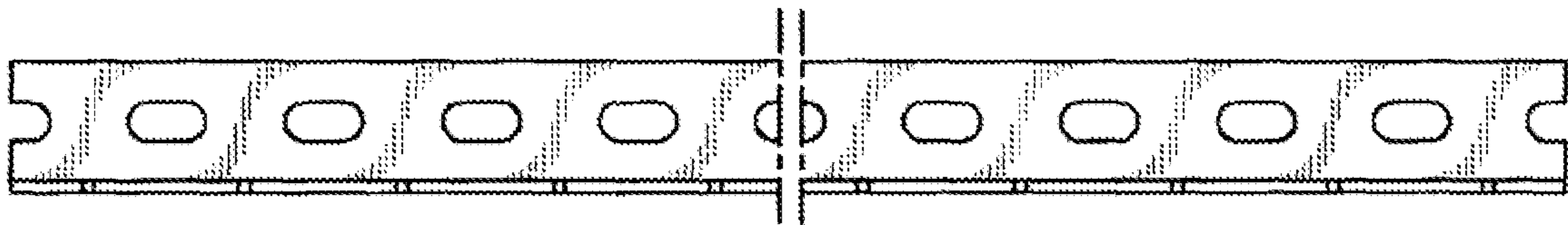


FIG. 7

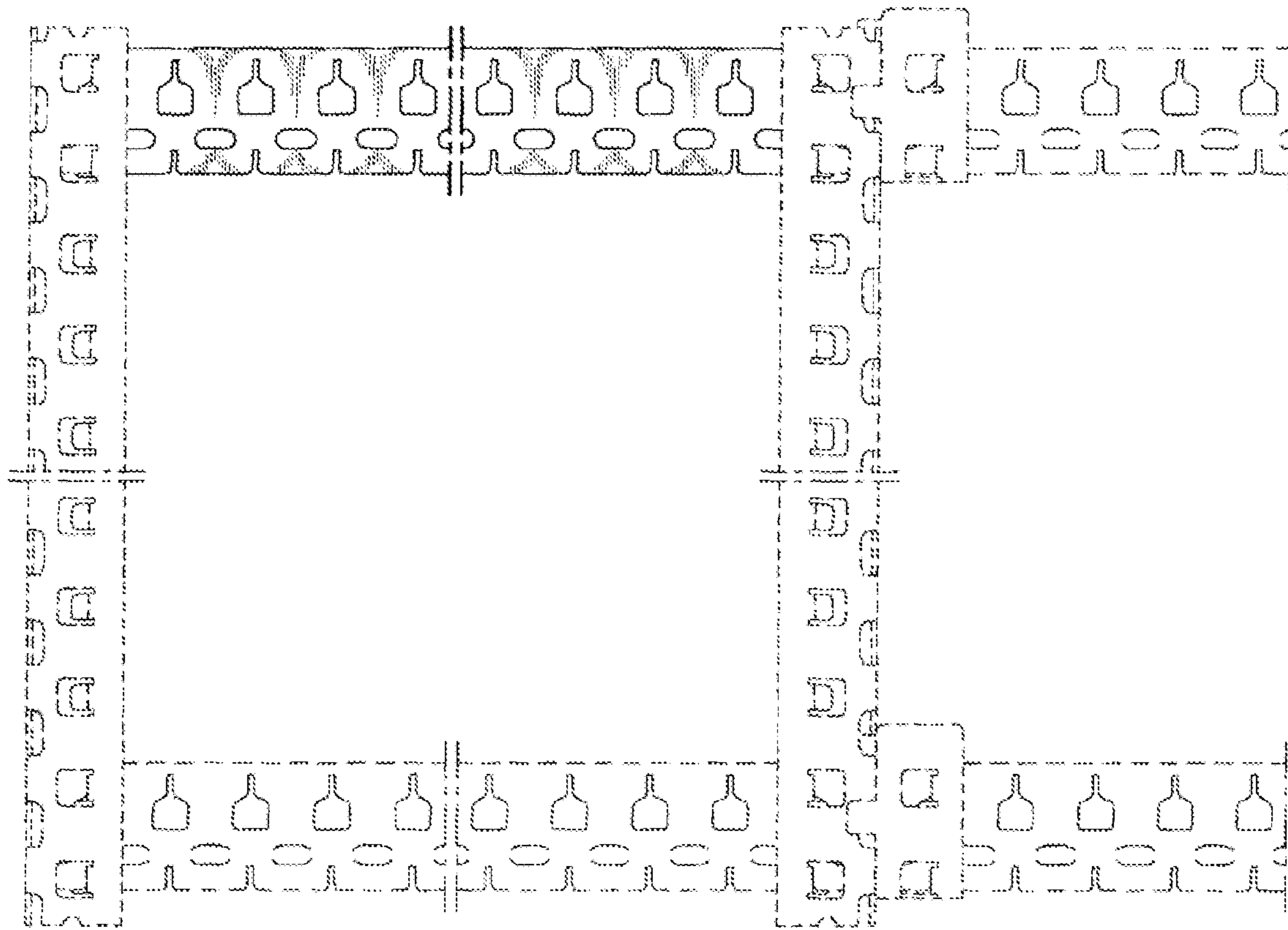


FIG. 8

