



US00D653523S

(12) **United States Design Patent**  
**Wackwitz et al.**

(10) **Patent No.:** **US D653,523 S**  
(45) **Date of Patent:** **\*\* Feb. 7, 2012**

(54) **ADAPTER FOR A TOOL**  
(75) Inventors: **Jeffrey M. Wackwitz**, Waukesha, WI (US); **Jeff P. de Guzman**, Brookfield, WI (US)

3,041,797 A 7/1962 Moffly  
3,308,703 A 3/1967 Sauer  
3,440,915 A 4/1969 Weyant  
(Continued)

(73) Assignee: **Milwaukee Electric Tool Corporation**, Brookfield, WI (US)

FOREIGN PATENT DOCUMENTS  
DE 10061559 A1 6/2002  
(Continued)

(\*\*) Term: **14 Years**

OTHER PUBLICATIONS

(21) Appl. No.: **29/375,916**

Milwaukee Electric Tool Corporation, Bosch tool, photo, 2010.

(22) Filed: **Sep. 29, 2010**

(Continued)

(51) **LOC (9) Cl.** ..... **08-05**

*Primary Examiner* — Mark Goodwin

(52) **U.S. Cl.** ..... **D8/354; D15/138**

(74) *Attorney, Agent, or Firm* — Michael Best & Friedrich LLP

(58) **Field of Classification Search** ..... D8/354, D8/70, 71, 399; D15/140, 138, 126, 139, D15/28; D23/47, 262; 83/676, 666; 30/340; 451/342, 259, 466, 496, 359, 508, 509; 409/234; 411/145, 146, 313, 531, 532, 534–547  
See application file for complete search history.

(57) **CLAIM**

We claim the ornamental design for an adapter for a tool, as shown and described.

**DESCRIPTION**

(56) **References Cited**

U.S. PATENT DOCUMENTS

81,661 A	9/1868	McDonald
197,650 A	11/1877	Milligan
223,103 A	12/1879	Berstler
241,178 A	5/1881	Amazeen
390,134 A	9/1888	Miller
519,892 A	5/1894	Newton
742,000 A	10/1903	Brooks
1,947,662 A	2/1934	Robinson
2,132,917 A	10/1938	Albertson
2,550,768 A	5/1951	Burleigh
2,649,868 A	8/1953	Gommel
2,822,648 A	2/1958	Metzger et al.
2,846,826 A	8/1958	Miller
2,854,042 A	9/1958	Robinson
2,912,021 A	11/1959	Gommel
2,997,819 A	8/1961	Schacht

FIG. 1 is a front perspective view of an adapter for a tool showing our new design.

FIG. 2 is a rear perspective view of the adapter for a tool shown in FIG. 1.

FIG. 3 is a front view of the adapter for a tool shown in FIG. 1.

FIG. 4 is a rear view of the adapter for a tool shown in FIG. 1.

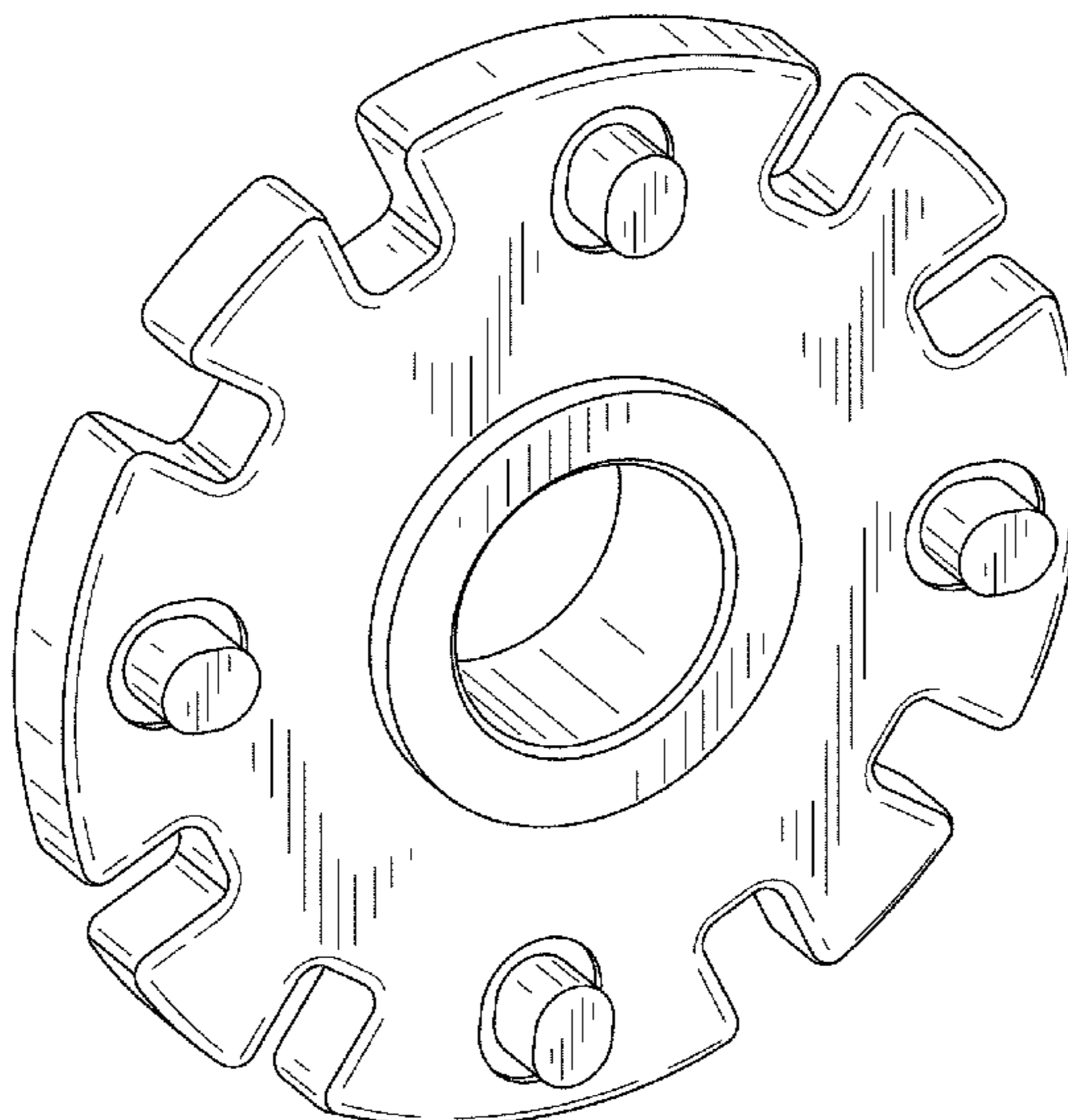
FIG. 5 is a top view of the adapter for a tool shown in FIG. 1.

FIG. 6 is a bottom view of the adapter for a tool shown in FIG. 1.

FIG. 7 is a left side view of the adapter for a tool shown in FIG. 1; and,

FIG. 8 is a right side view of the adapter for a tool shown in FIG. 1.

**1 Claim, 4 Drawing Sheets**



# US D653,523 S

U.S. PATENT DOCUMENTS							
3,623,281	A	11/1971	Moffat	6,340,022	B1	1/2002	Schroer
3,667,169	A	6/1972	MacKay, Jr.	6,349,446	B1	2/2002	Krause et al.
3,908,499	A	9/1975	Reed	6,361,424	B1	3/2002	Manor et al.
3,943,934	A	3/1976	Bent	6,371,837	B1	4/2002	Luedeke
4,015,371	A	4/1977	Grayston	6,379,236	B1	4/2002	Takizawa et al.
4,343,214	A	8/1982	Schadlich	6,401,342	B1	6/2002	Kloss et al.
4,393,626	A	7/1983	Schroer	D466,597	S	12/2002	Carr
4,432,264	A	2/1984	Scott	D467,485	S	12/2002	Daniels et al. .... D8/70
4,436,006	A	3/1984	Nakamura et al.	6,503,253	B1	1/2003	Fletcher et al.
4,436,009	A	3/1984	Ask	6,520,055	B1	2/2003	Reusch et al.
4,461,195	A	7/1984	Barnick	6,523,214	B1	2/2003	Kaiser
D276,310	S	11/1984	Frieberg	6,533,650	B2	3/2003	Yoshida et al.
4,497,141	A	2/1985	Jarby	6,569,001	B2	5/2003	Rudolf et al.
4,637,170	A	1/1987	Block	6,629,484	B2	10/2003	Soyama et al.
4,657,428	A	4/1987	Wiley	6,640,377	B2	11/2003	Krause et al.
4,683,683	A	8/1987	Block	6,699,112	B2	3/2004	Bergner et al.
4,700,478	A	10/1987	Mezger et al.	6,723,101	B2	4/2004	Fletcher et al.
4,706,386	A	11/1987	Wiley	6,749,493	B2	6/2004	Wuensch
4,730,952	A	3/1988	Wiley	D493,683	S	8/2004	Hortenbury et al.
4,787,147	A	11/1988	Wiley	6,780,093	B2	8/2004	Krondorfer et al.
4,852,261	A	8/1989	Wittek	6,786,811	B2	9/2004	Krondorfer et al.
4,905,420	A	3/1990	Flachenecker et al.	6,796,888	B2	9/2004	Jasch
D308,011	S	5/1990	Norris ..... D8/356	6,802,127	B2	10/2004	Thomaschewski
4,989,320	A	2/1991	Borkott et al.	6,802,764	B2	10/2004	Besch
D315,667	S	3/1991	Johnson	6,814,655	B2	11/2004	Hofmann et al.
5,038,478	A	8/1991	Mezger et al.	6,814,657	B2	11/2004	Spangenberg et al.
D327,111	S	6/1992	Hemming	6,827,074	B2	12/2004	Gardner
5,263,283	A	11/1993	Rudolf et al.	6,860,792	B2	3/2005	Krondorfer et al.
5,265,340	A	11/1993	Nitz et al.	6,869,346	B2	3/2005	Wendt et al.
5,292,352	A	3/1994	Rudolf et al.	6,902,471	B2	6/2005	Krondorfer et al.
5,303,688	A	4/1994	Chiuminatta et al.	6,942,558	B2	9/2005	Wuensch
5,309,805	A	5/1994	Mezger et al.	6,942,560	B2	9/2005	Hofmann et al.
5,319,886	A	6/1994	Steere, Jr.	6,945,862	B2	9/2005	Jasch et al.
5,366,312	A	11/1994	Raines	7,000,606	B2	2/2006	Gardner
5,373,834	A	12/1994	Chiuminatta et al.	7,077,734	B2	7/2006	Tiede et al.
5,382,249	A	1/1995	Fletcher	7,077,735	B2	7/2006	Krondorfer et al.
D362,065	S	9/1995	Goris	7,097,548	B2	8/2006	Krondorfer et al.
5,468,247	A	11/1995	Matthai et al.	D528,407	S	9/2006	Schwab
5,477,845	A	12/1995	Zuzelo	7,108,077	B2	9/2006	Zaiser
5,482,499	A	1/1996	Satoh	7,115,027	B2	10/2006	Thomaschewski
5,491,896	A	2/1996	Stolzer et al.	7,115,028	B1	10/2006	Chen
5,496,316	A	3/1996	Goris	7,137,329	B1	11/2006	Moser
5,554,066	A	9/1996	Bosten et al.	7,143,760	B2	12/2006	Gardner
5,555,788	A	9/1996	Gakhar et al.	7,169,025	B2	1/2007	Schumacher
5,597,347	A	1/1997	Bosten et al.	7,201,644	B2	4/2007	Gardner
5,601,483	A	2/1997	Rudolf et al.	7,207,873	B2	4/2007	Hesse et al.
5,626,510	A	5/1997	Bergner et al.	7,217,177	B2	5/2007	Frech et al.
5,637,034	A	6/1997	Everts et al.	7,273,412	B1	9/2007	Sun et al.
5,681,213	A	10/1997	Hashii	7,313,838	B2	1/2008	Long et al.
5,694,693	A	12/1997	Hutchins et al.	7,402,095	B2	7/2008	Gardner
5,702,415	A	12/1997	Matthai et al.	7,438,629	B2	10/2008	Bosten et al.
5,709,595	A	1/1998	Bergner et al.	7,506,877	B1	3/2009	Henderson et al.
5,729,904	A	3/1998	Trott	7,510,464	B2	3/2009	Stierle et al.
5,743,791	A	4/1998	Bosten et al.	7,527,628	B2	5/2009	Fletcher et al.
5,749,770	A	5/1998	Uzumcu et al.	7,588,484	B2	9/2009	Momosaki
5,759,094	A	6/1998	Bosten et al.	D609,545	S	2/2010	Ueno et al. .... D8/70
5,842,278	A	12/1998	Gmeilbauer	D619,152	S	7/2010	Evatt et al. .... D15/138
5,846,244	A	12/1998	Cripe	D621,427	S	8/2010	Dow et al. .... D15/126
5,901,629	A	5/1999	Stroud	D623,034	S	9/2010	Evatt et al. .... D8/70
5,911,620	A	6/1999	Spangenberg et al.	D626,977	S	11/2010	Popov ..... D15/126
5,967,886	A	10/1999	Wuensch et al.	D626,978	S	11/2010	Huh ..... D15/126
6,004,194	A	12/1999	Hild et al.	2002/0016143	A1	2/2002	Bosten et al.
6,022,353	A	2/2000	Fletcher et al.	2002/0022444	A1	2/2002	Littlefield
6,042,460	A	3/2000	Bosten et al.	2002/0066351	A1*	6/2002	Sumida et al. .... 83/698.41
D424,076	S	5/2000	Dibbern et al.	2003/0000716	A1	1/2003	Hofmann et al.
6,099,311	A	8/2000	Wagner et al.	2003/0153254	A1	8/2003	Bosten et al.
6,099,397	A	8/2000	Wurst	2004/0192180	A1	9/2004	Bosten et al.
6,110,028	A	8/2000	Chung	2004/0243136	A1	12/2004	Gupta et al.
6,129,618	A	10/2000	Frech	2005/0153640	A1	7/2005	Stein et al.
6,142,858	A	11/2000	Luedeke	2006/0150428	A1	7/2006	Baculy
6,155,916	A	12/2000	Rudolf et al.	2006/0272468	A1	12/2006	Gupta et al.
6,159,084	A	12/2000	Tiede	2007/0079489	A1*	4/2007	Cirino ..... 29/33 K
6,257,969	B1	7/2001	Bosten et al.	2007/0094877	A1	5/2007	Bohne et al.
6,277,012	B1	8/2001	Halliley	2007/0295156	A1	12/2007	Ziegler et al.
6,293,859	B1	9/2001	Fink et al.	2008/0003929	A1	1/2008	Degen
6,299,078	B1	10/2001	Fugere	2008/0017007	A1	1/2008	Weber et al.
6,306,024	B1	10/2001	Kai et al.	2008/0029134	A1	2/2008	Long et al.
6,332,836	B1	12/2001	Tseng	2008/0057846	A1	3/2008	Schumacher
				2008/0160886	A1	7/2008	Palushaj

2008/0190259 A1 8/2008 Bohne  
 2008/0210212 A1 9/2008 Baratta  
 2009/0013540 A1 1/2009 Bohne  
 2009/0023371 A1 1/2009 Blickle et al.  
 2009/0083916 A1 4/2009 Lampka et al.  
 2009/0191799 A1\* 7/2009 Rivard ..... 451/259  
 2009/0209186 A1 8/2009 Krauss et al.  
 2009/0293696 A1 12/2009 Rauscher et al.  
 2009/0318065 A1 12/2009 Zaiser et al.  
 2010/0009613 A1 1/2010 Frueh  
 2010/0052269 A1 3/2010 Zaiser et al.  
 2010/0056029 A1 3/2010 Grunikiewicz

FOREIGN PATENT DOCUMENTS

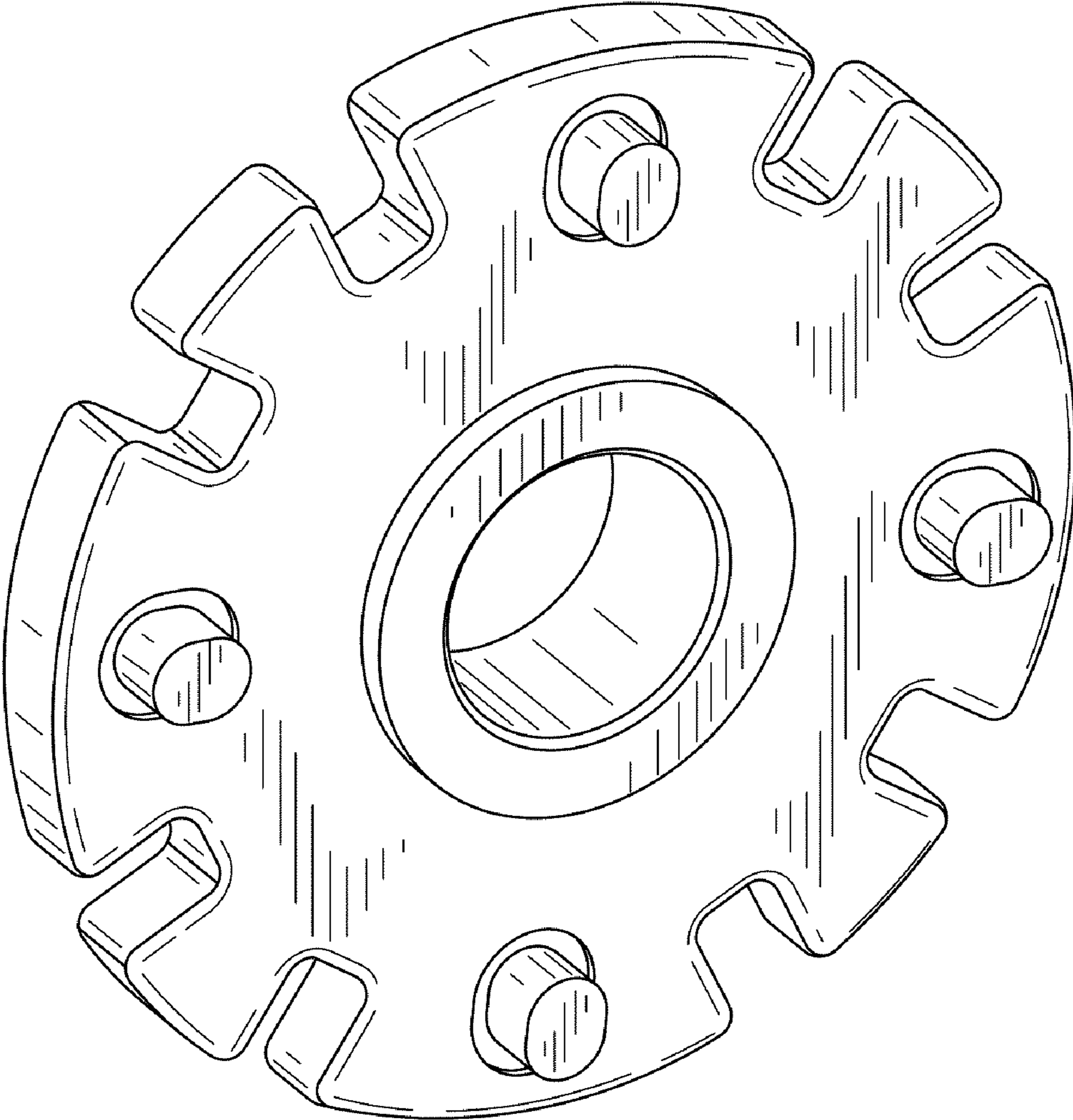
DE 20309329 U1 8/2003  
 DE 102004050798 A1 4/2006  
 DE 202006013890 U1 11/2006  
 DE 102006021969 A1 11/2007  
 DE 102007039367 A1 3/2008  
 DE 102007018467 A1 10/2008  
 DE 102007036786 A1 10/2008  
 DE 102007035045 A1 1/2009  
 DE 202007018679 U1 1/2009  
 DE 102008027671 A1 12/2009  
 EP 1213107 A1 6/2002  
 EP 1302286 A1 4/2003  
 EP 1852218 A1 11/2007  
 EP 2017036 A1 1/2009

EP 2143531 A1 1/2010  
 EP 2159000 A1 3/2010  
 WO 2008128813 A1 10/2008  
 WO 2008128862 A1 10/2008

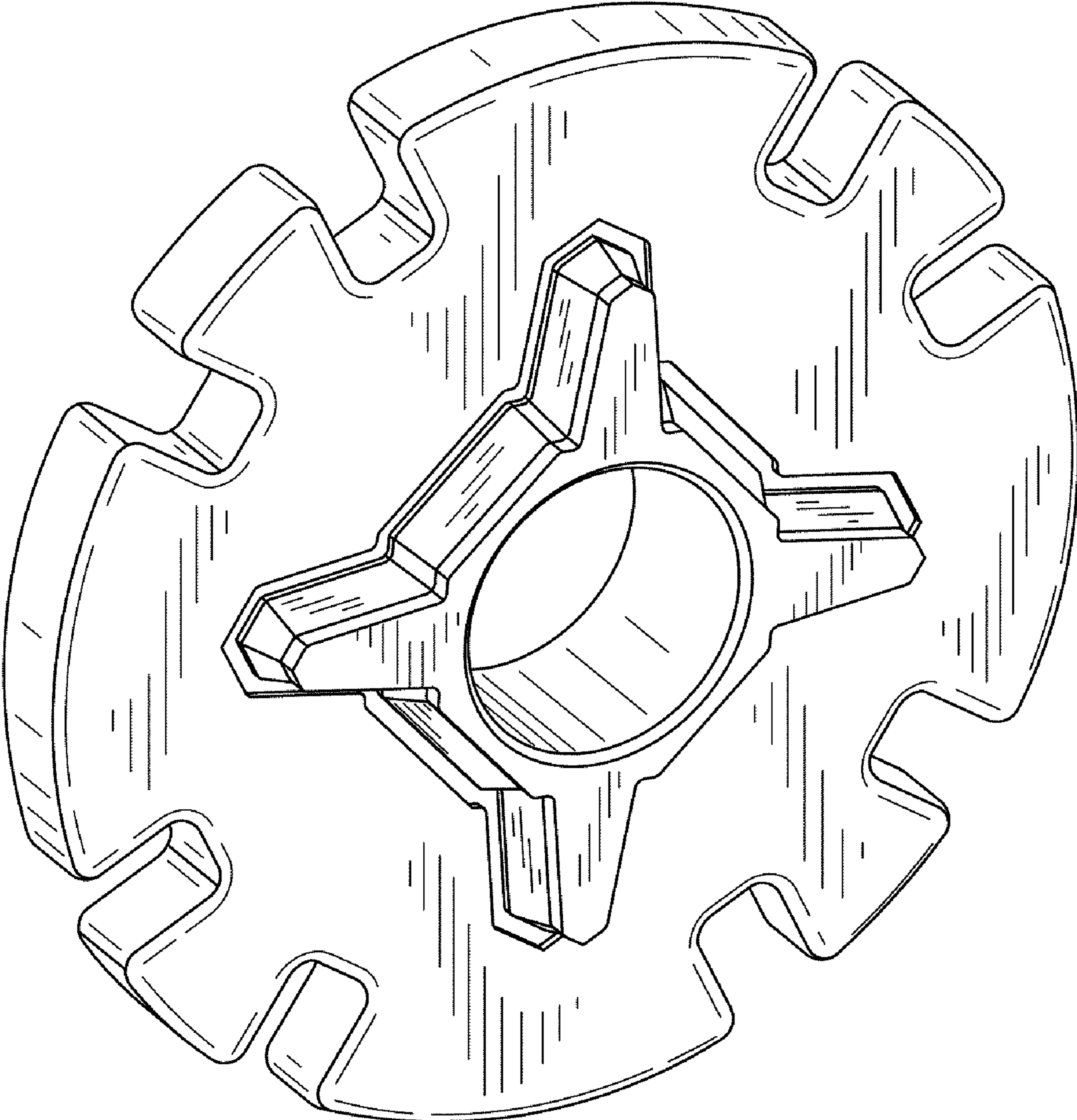
OTHER PUBLICATIONS

Milwaukee Electric Tool Corporation, Bosch tool and accessories, photo, 2010.  
 Milwaukee Electric Tool Corporation, Bosch tool and adapter, photo, 2010.  
 Milwaukee Electric Tool Corporation, Rockwell tool, photo, 2010.  
 Milwaukee Electric Tool Corporation, Rockwell tool and accessories, photo, 2010.  
 Milwaukee Electric Tool Corporation, Craftsman tool, photo, 2010.  
 Milwaukee Electric Tool Corporation, Craftsman tool and accessories, photo, 2010.  
 Milwaukee Electric Tool Corporation, Dremel tool, photo, 2010.  
 Milwaukee Electric Tool Corporation, Dremel tool and accessories, photo, 2010.  
 Milwaukee Electric Tool Corporation, Fein tool, photo, 2010.  
 Milwaukee Electric Tool Corporation, Fein tool and accessories, photo, 2010.  
 EP Designs 000535174-0001 and 000535174-0002 for cutting discs, show at <http://oami.europa.eu/RCDOnline/RequestManager>.

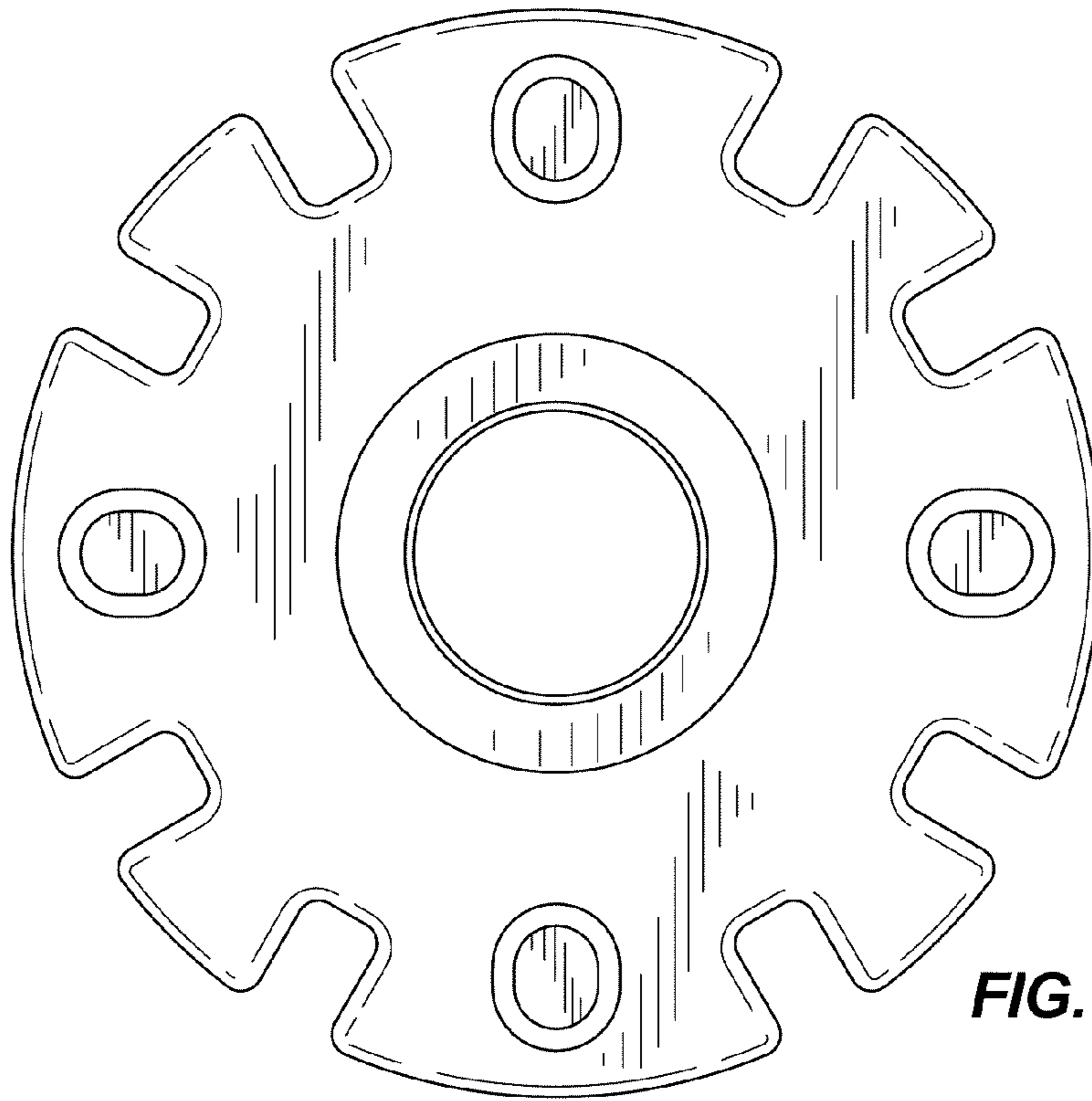
\* cited by examiner



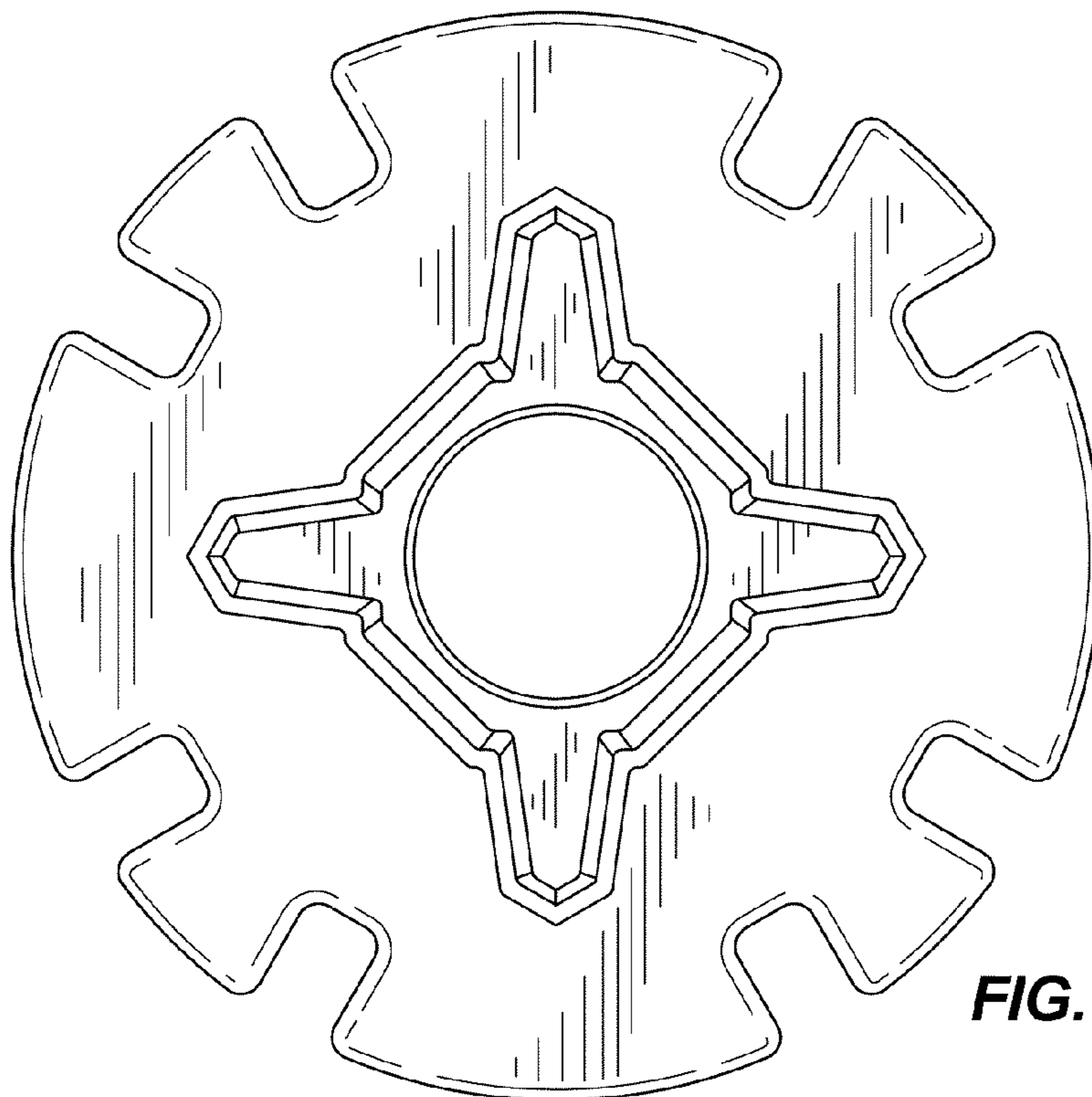
**FIG. 1**



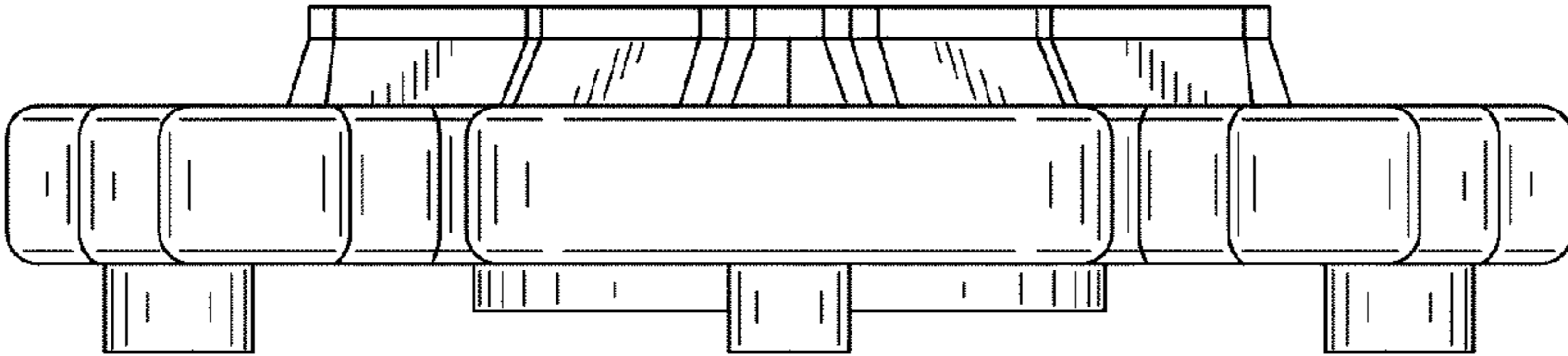
**FIG. 2**



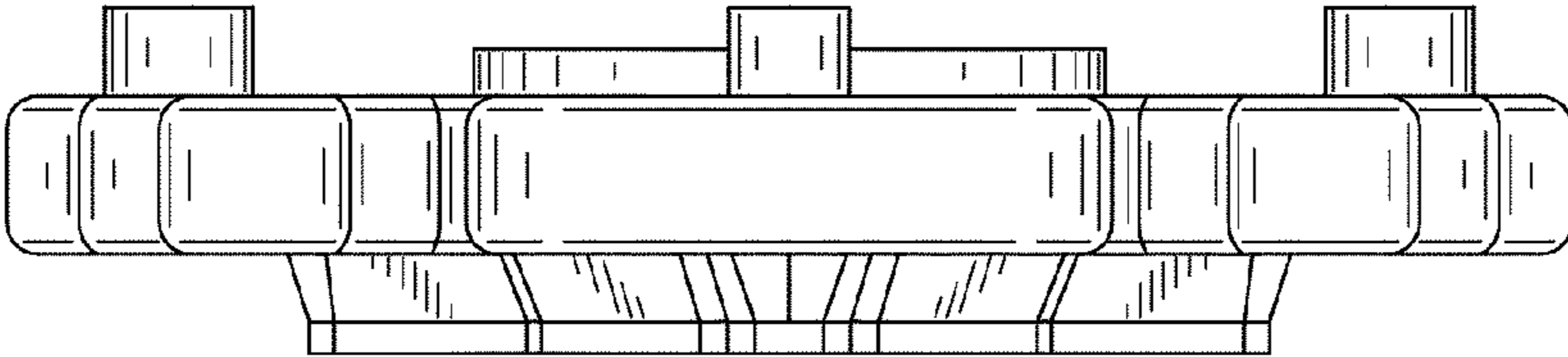
**FIG. 3**



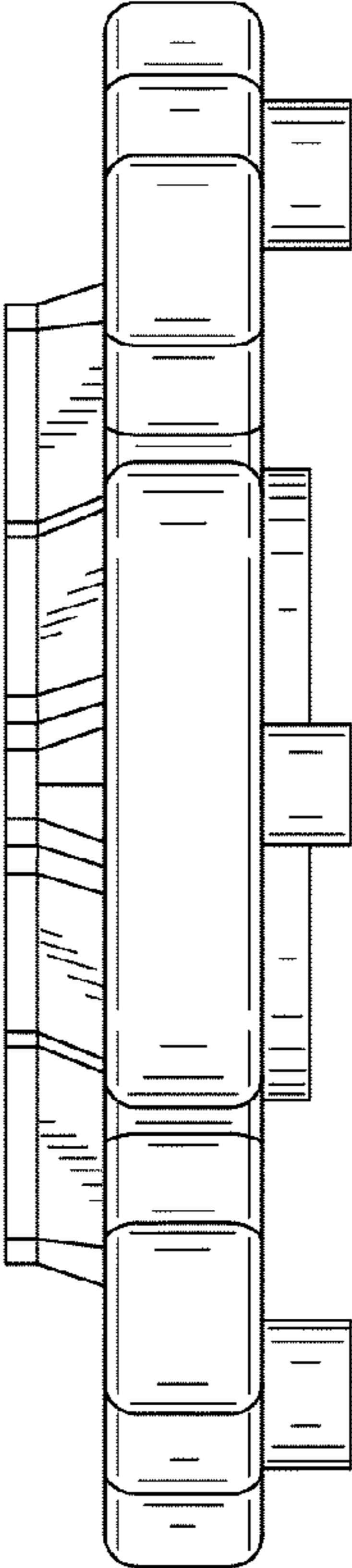
**FIG. 4**



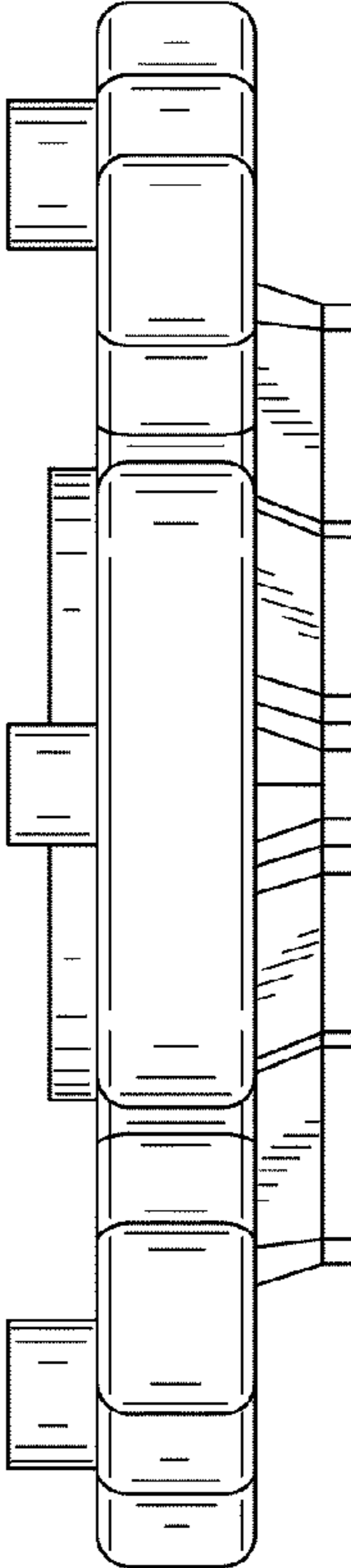
**FIG. 5**



**FIG. 6**



**FIG. 7**



**FIG. 8**