



US00D653522S

(12) **United States Design Patent**
Anzalone et al.

(10) **Patent No.:** **US D653,522 S**

(45) **Date of Patent:** **** *Feb. 7, 2012**

(54) **LIGHT SWITCH COVER**

(75) Inventors: **Christopher Anzalone**, Foothill Ranch,
CA (US); **Gary Stanley Seehoff**,
Encino, CA (US)

(73) Assignee: **Evrholder Products LLC**, Anaheim,
CA (US)

(*) Notice: This patent is subject to a terminal dis-
claimer.

(**) Term: **14 Years**

(21) Appl. No.: **29/360,377**

(22) Filed: **Apr. 24, 2010**

(51) **LOC (9) Cl.** **11-05**

(52) **U.S. Cl.** **D8/353**

(58) **Field of Classification Search** D8/350-353;
D13/156, 177, 152, 154, 158, 173, 169, 171,
D13/139.1-139.8, 146, 147; D25/60; 174/66,
174/67; 220/241, 3.92, 3.5-3.8, 242; 439/536,
439/535, 892; 200/303; 248/273; 292/357;
D14/159

See application file for complete search history.

(56) **References Cited**

U.S. PATENT DOCUMENTS

3,113,996	A *	12/1963	Sanford	174/67
3,331,915	A *	7/1967	Lucci	174/66
D236,567	S *	9/1975	Ballin	D6/323
4,339,045	A *	7/1982	Bodin	211/85.9
4,566,666	A *	1/1986	Meska et al.	248/558
D323,285	S *	1/1992	Thomson	D8/372
D402,271	S *	12/1998	Weinberg	D13/177
D405,347	S *	2/1999	Mezey	D8/353

6,130,384	A *	10/2000	Esteves et al.	174/66
D455,331	S *	4/2002	Keenum et al.	D8/353
D476,549	S *	7/2003	Shaw	D8/353
7,255,588	B2 *	8/2007	Wilder	439/373
D617,173	S *	6/2010	Anzalone et al.	D8/353

* cited by examiner

Primary Examiner — Mark Goodwin

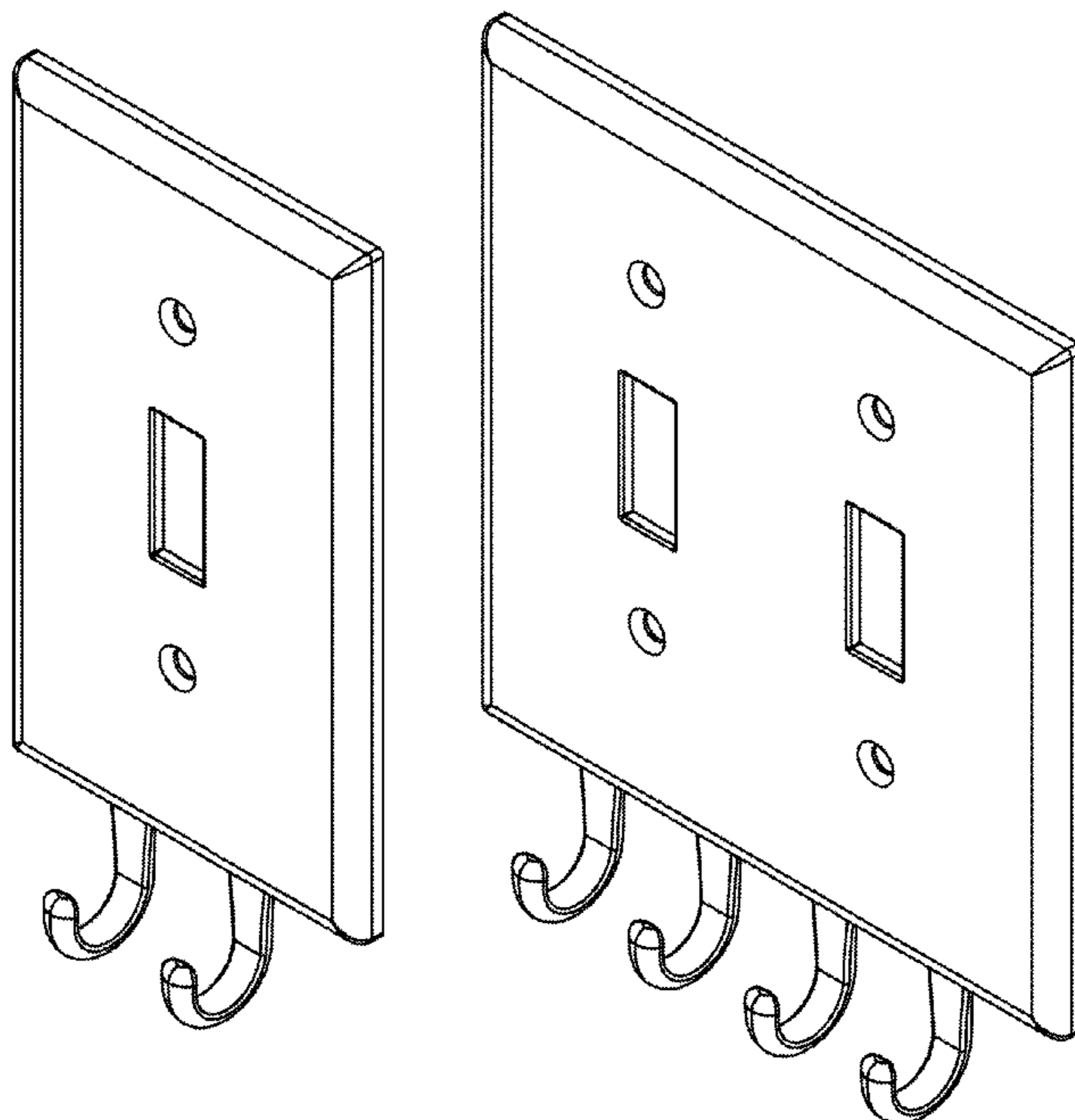
(57) **CLAIM**

The ornamental design for a light switch cover, as shown and described.

DESCRIPTION

FIG. 1 is a top plan view of first embodiment of a light switch cover showing our new design;
 FIG. 2 is a front view thereof;
 FIG. 3 is a right-side view thereof;
 FIG. 4 is a left-side view thereof;
 FIG. 5 is a rear view thereof;
 FIG. 6 is a bottom plan view thereof;
 FIG. 7 is a cross sectional view thereof taken along line 7-7 of FIG. 2;
 FIG. 8 is a top front perspective view thereof;
 FIG. 9 is an exploded bottom front perspective view thereof;
 FIG. 10 is a top plan view of a second embodiment of a light switch cover showing our new design;
 FIG. 11 is a front view thereof;
 FIG. 12 is a right-side view thereof;
 FIG. 13 is a left-side view thereof;
 FIG. 14 is a rear view thereof;
 FIG. 15 is a bottom plan view thereof;
 FIG. 16 is a cross sectional view thereof taken along line 16-16 of FIG. 11;
 FIG. 17 is a top front perspective view thereof; and,
 FIG. 18 is an exploded bottom front perspective view thereof.

1 Claim, 18 Drawing Sheets



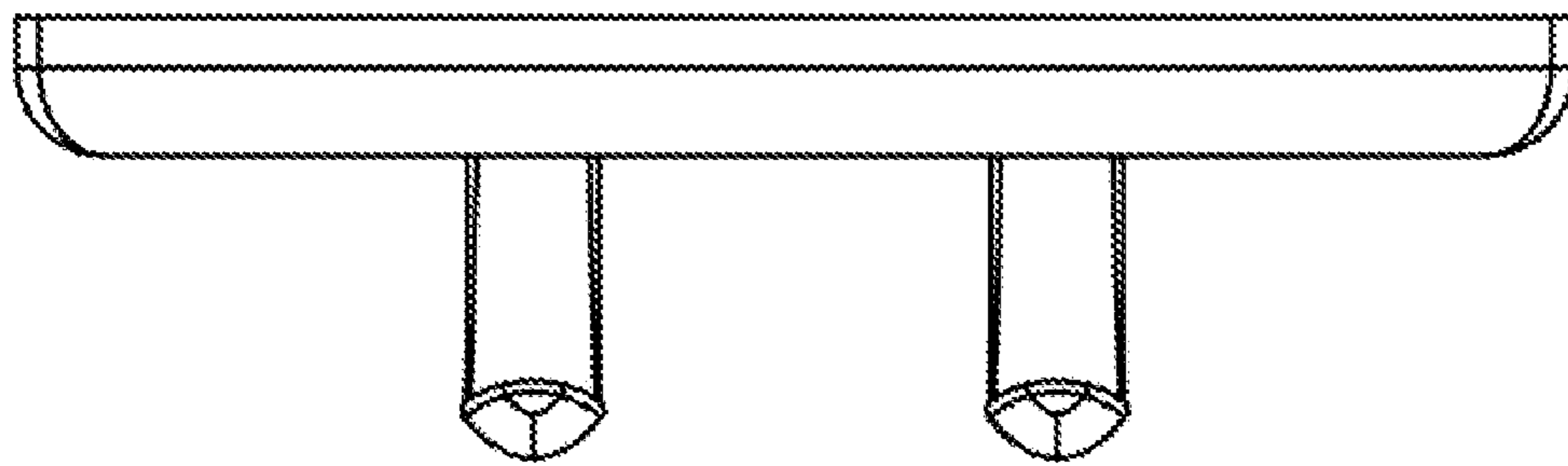


Fig. 1

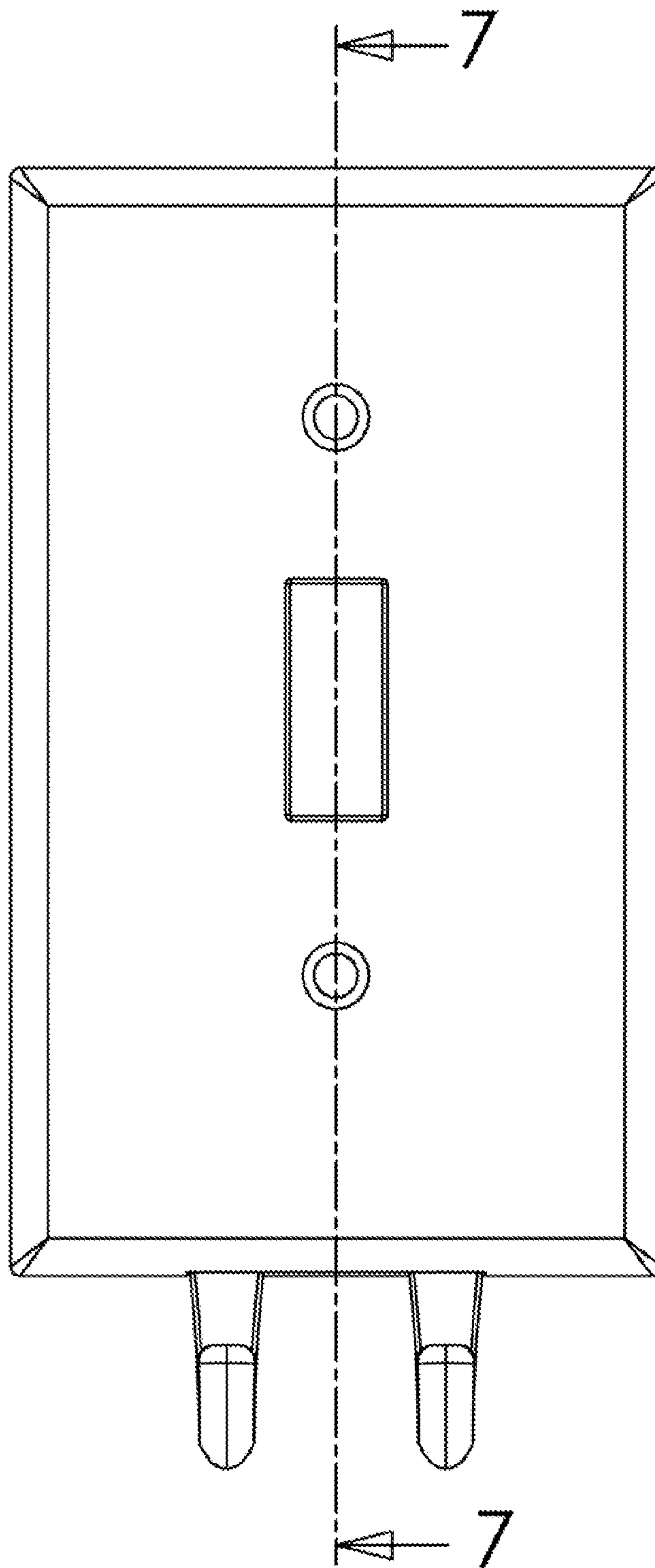


Fig. 2

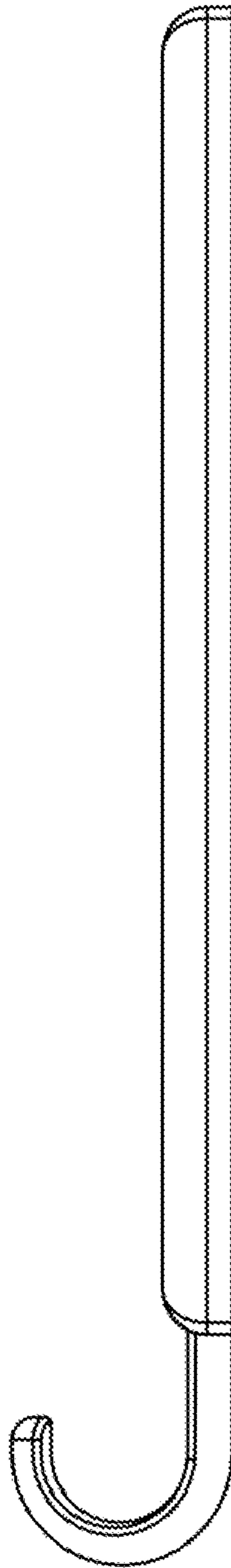


Fig. 3

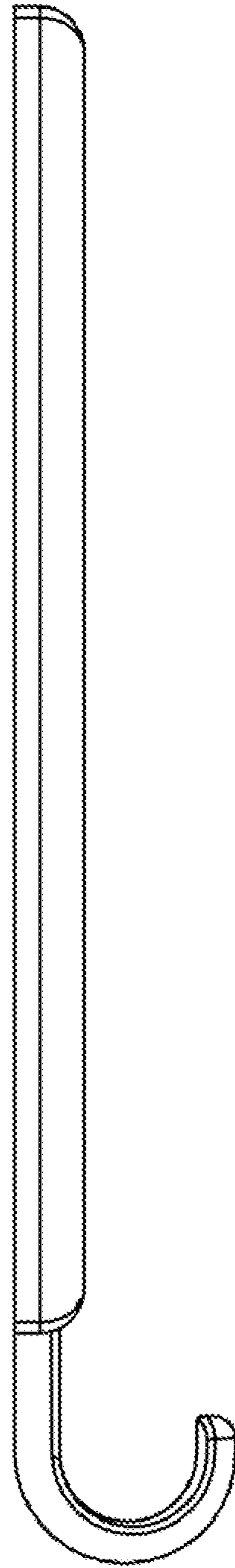


Fig. 4

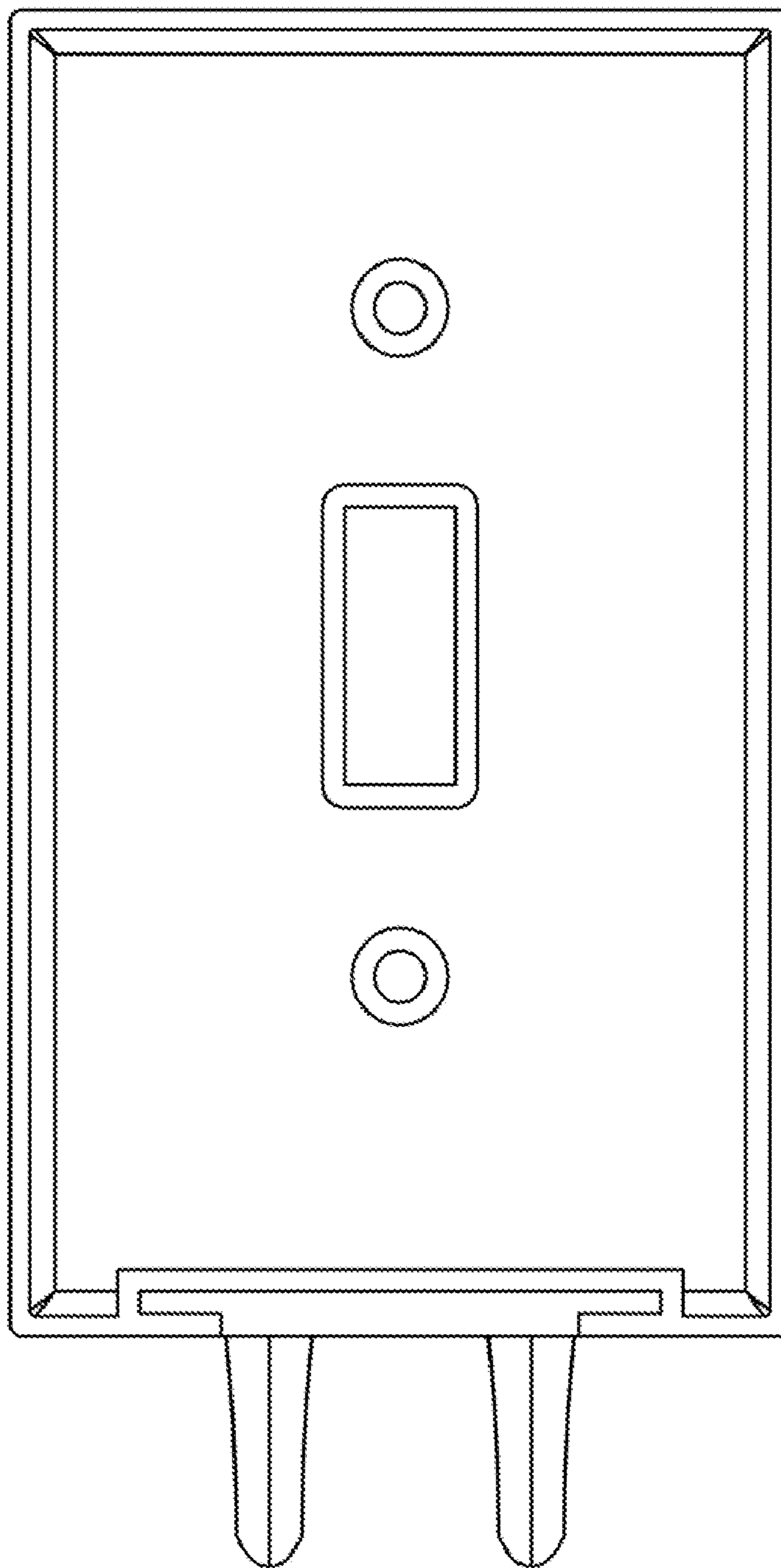


Fig. 5

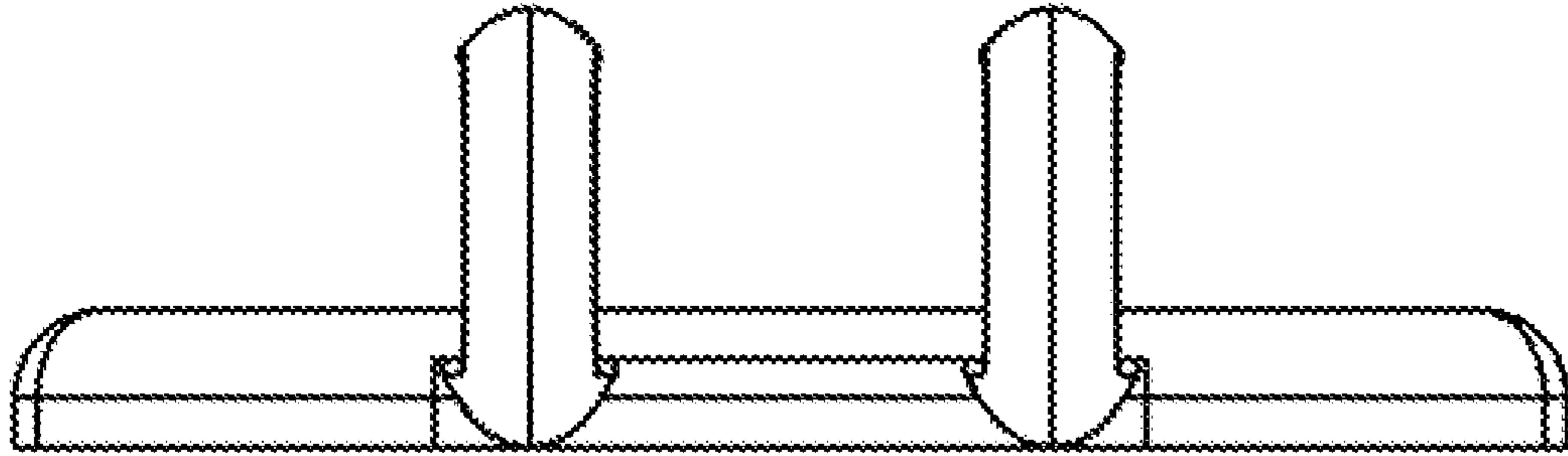


Fig. 6

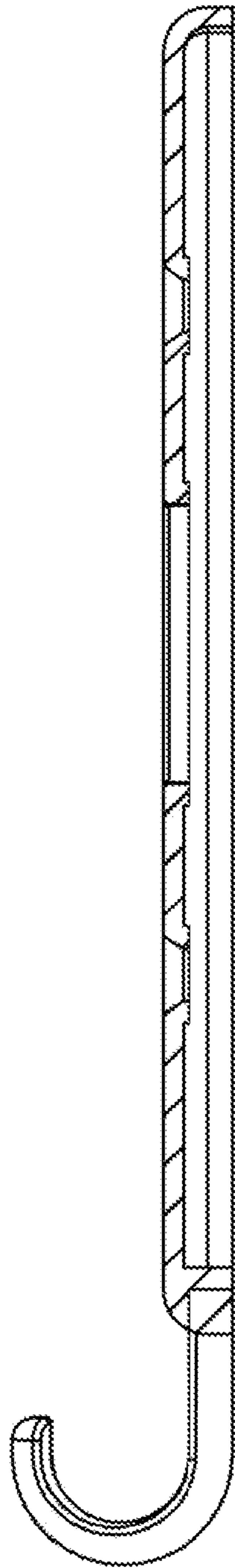


Fig. 7

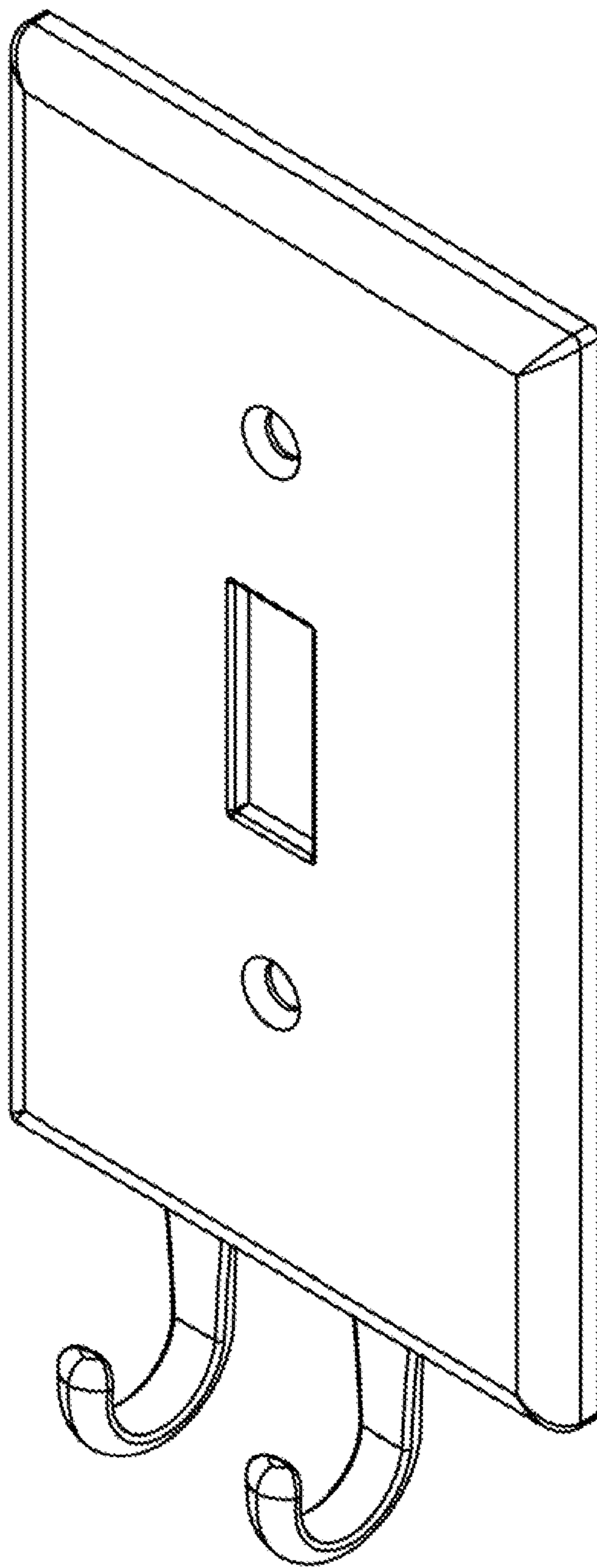


Fig. 8

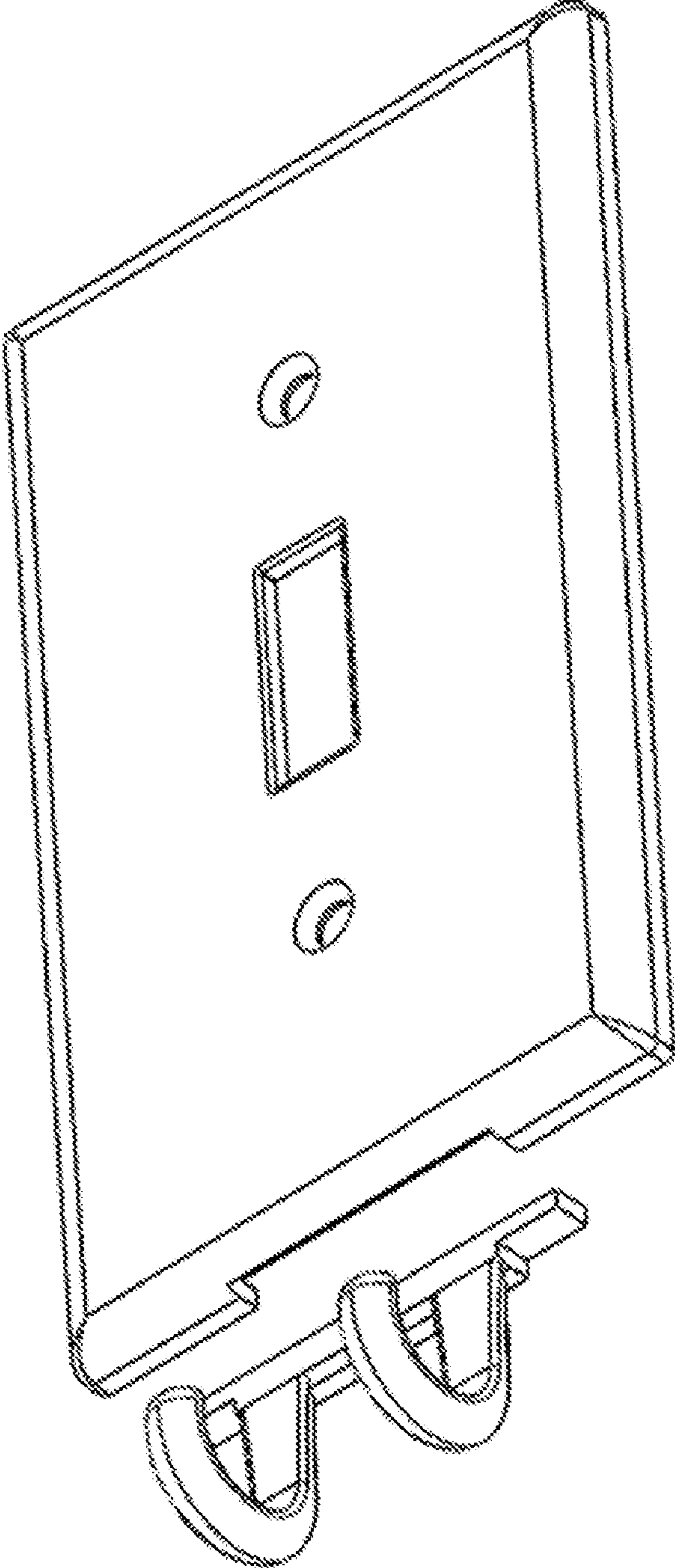


Fig. 9

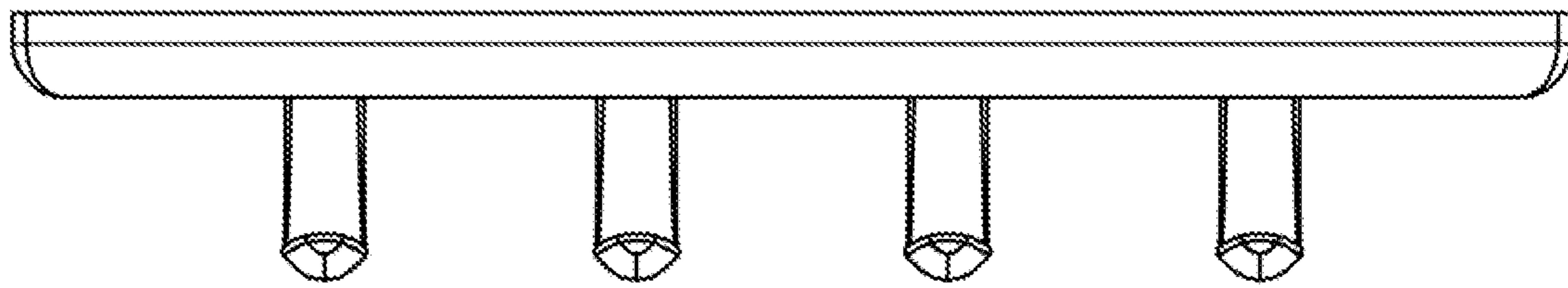


Fig. 10

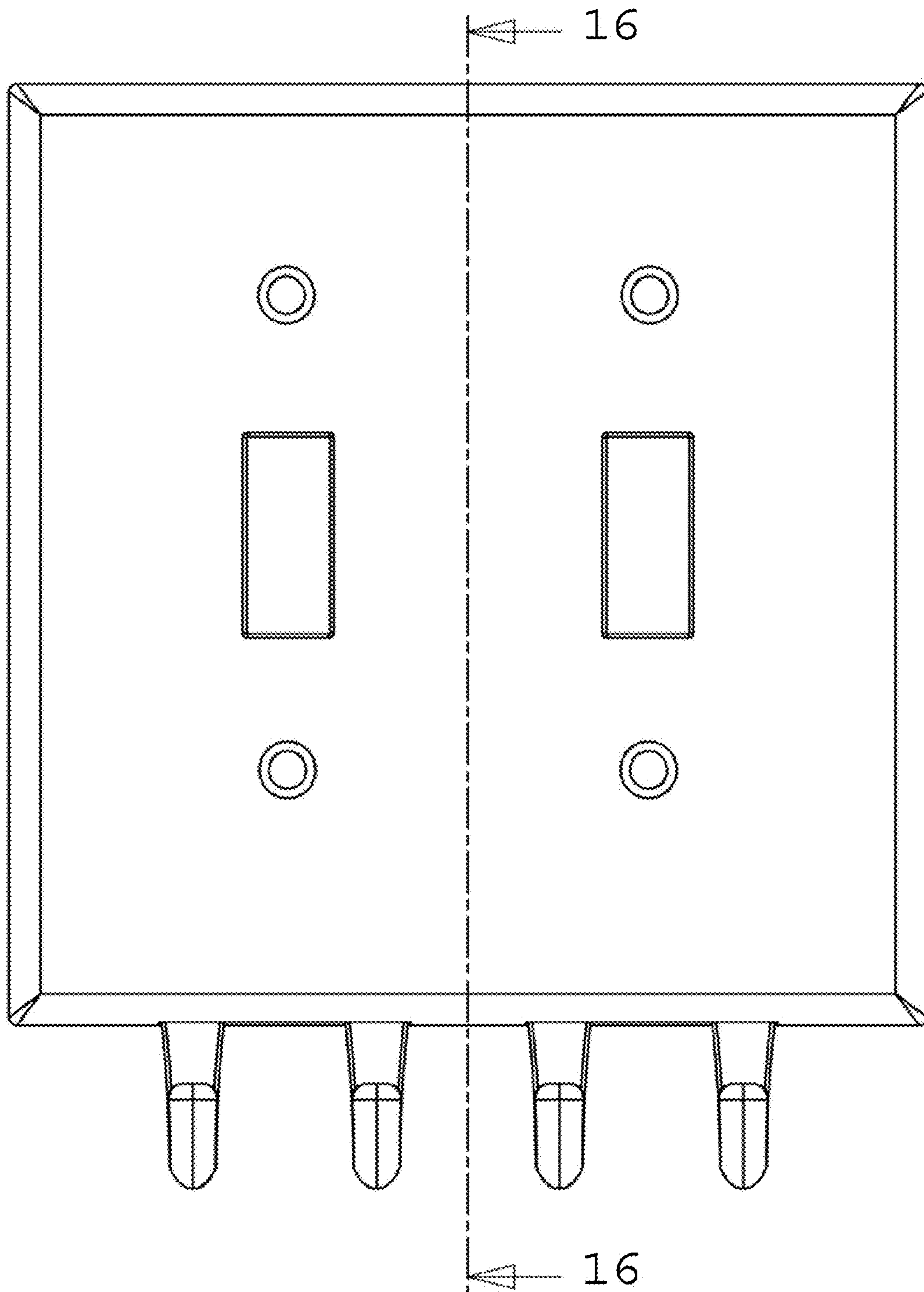


Fig. 11

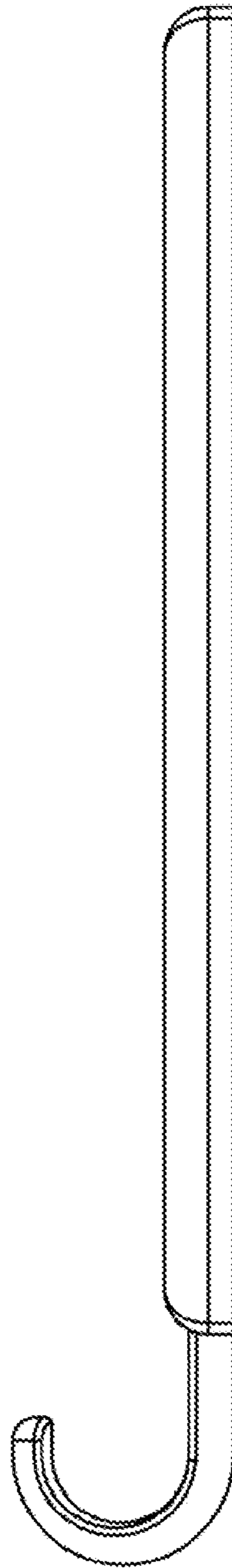


Fig. 12

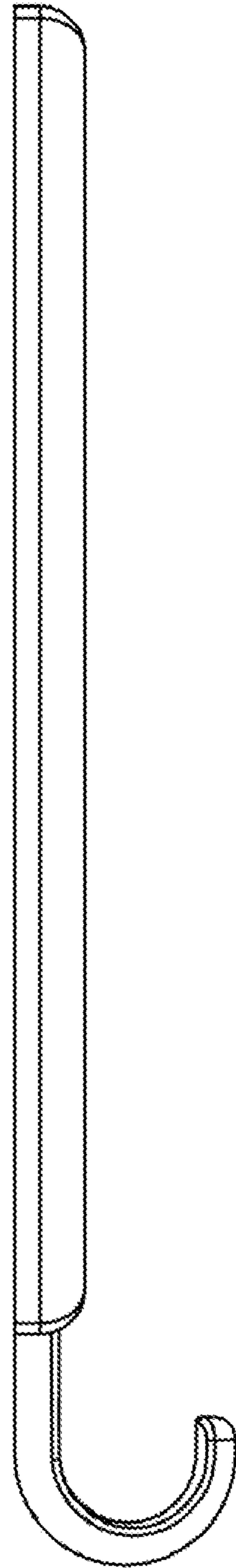


Fig. 13

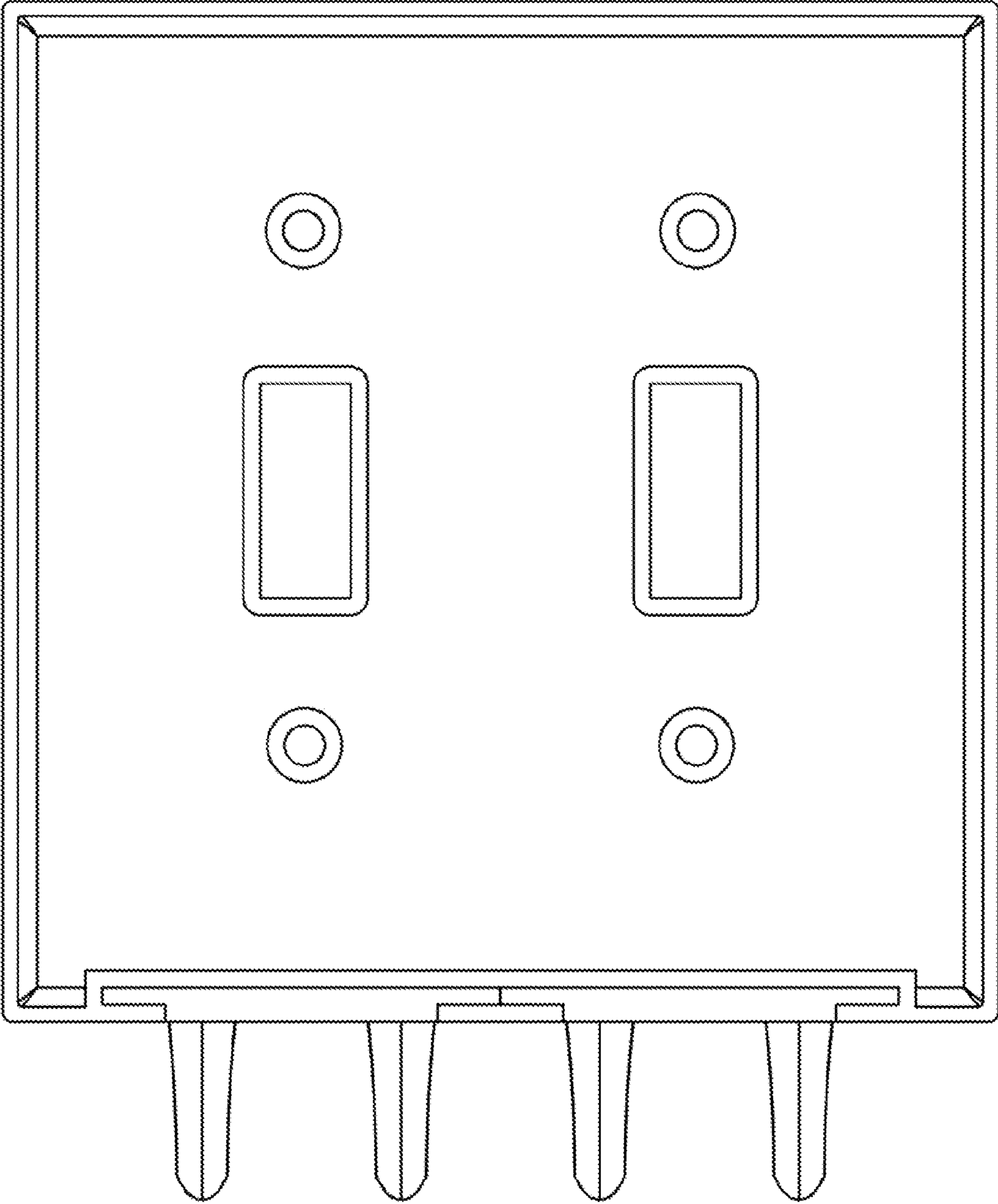


Fig. 14

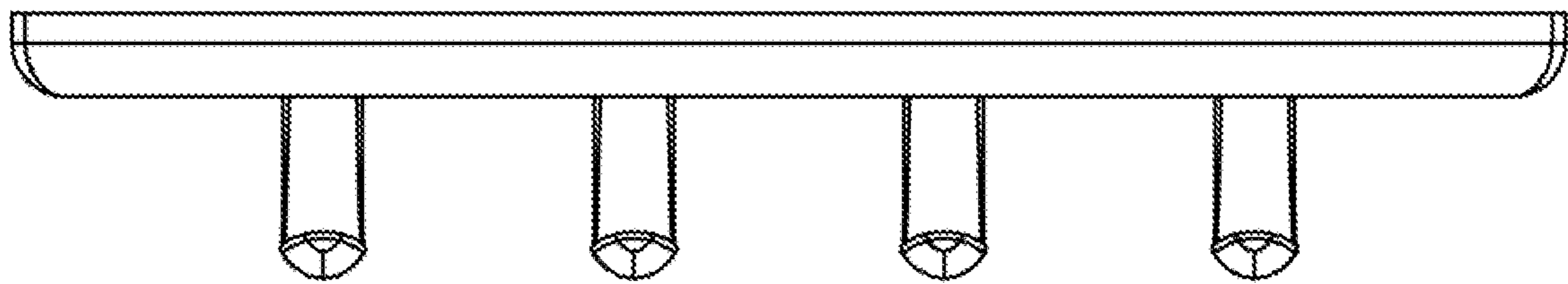


Fig. 15

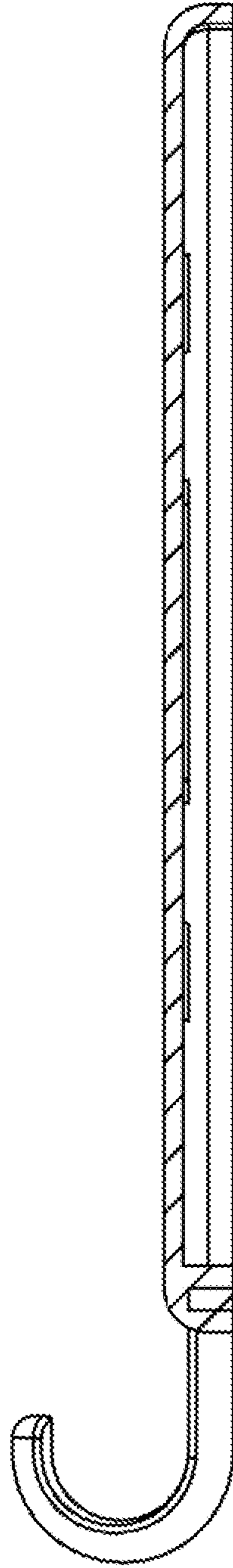


Fig. 16

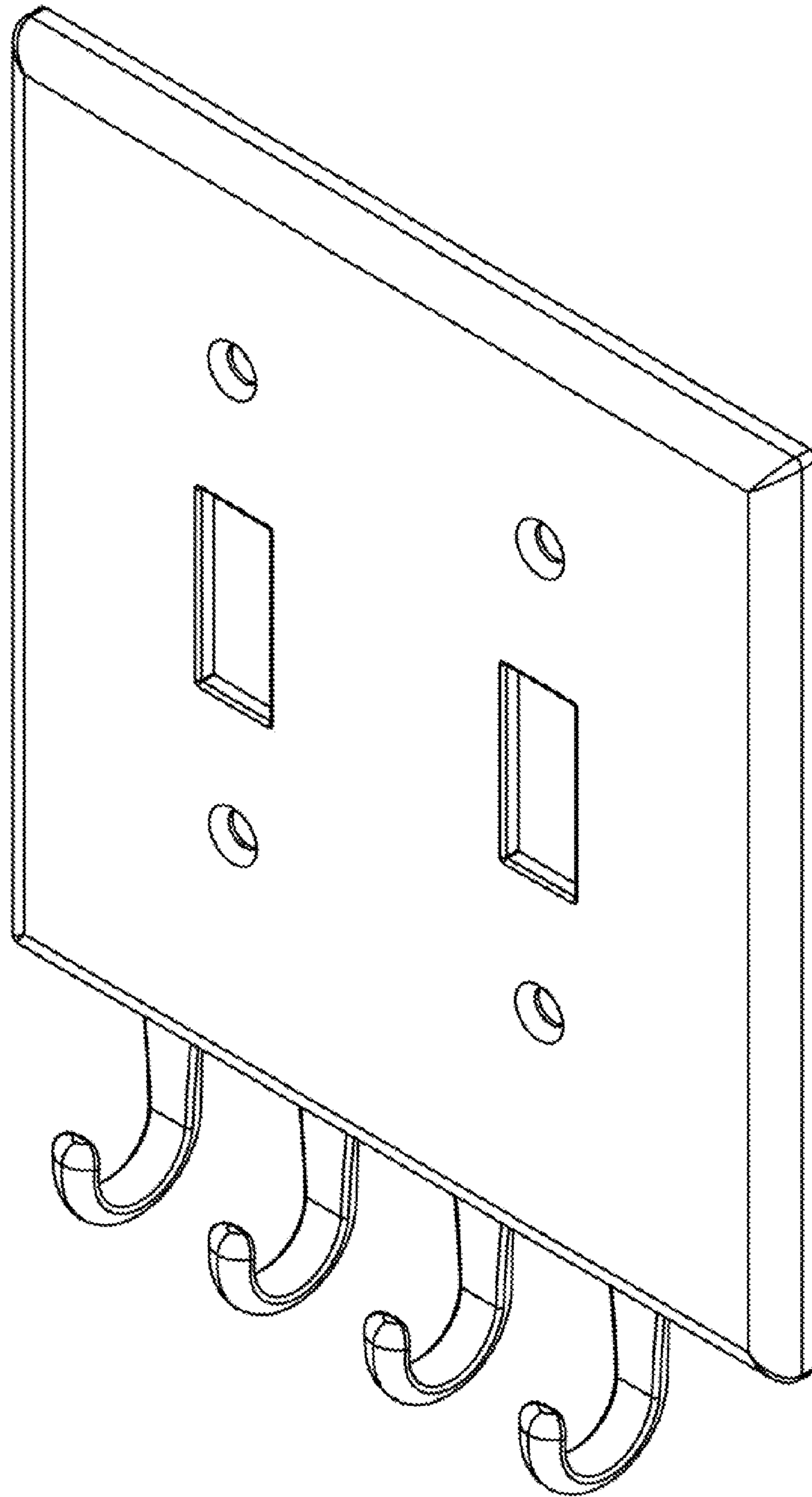


Fig. 17

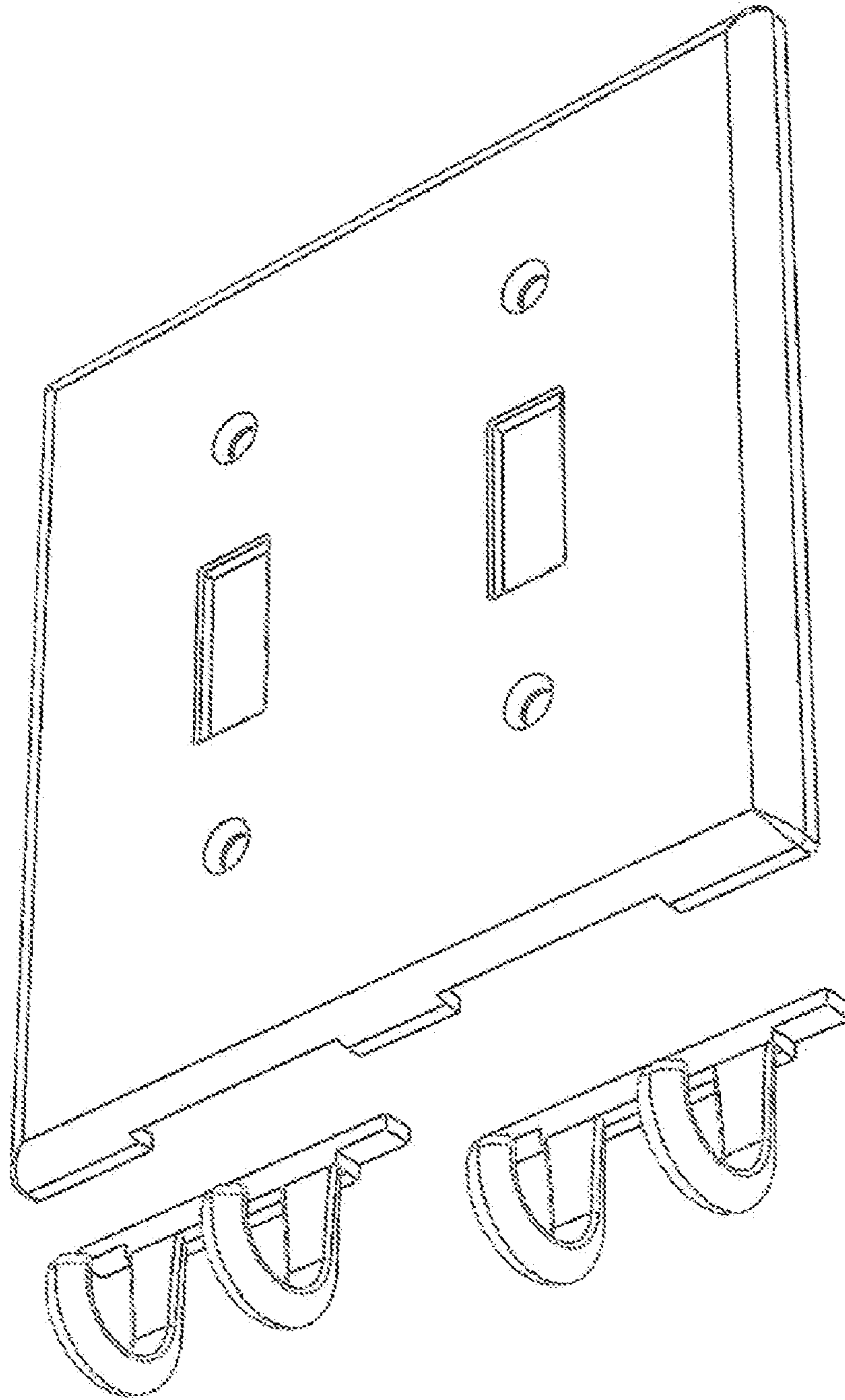


Fig. 18