



US00D653521S

(12) **United States Design Patent**
Wike

(10) **Patent No.:** **US D653,521 S**

(45) **Date of Patent:** **** Feb. 7, 2012**

(54) **ELECTRONIC DEVICE HANDLE**

(76) Inventor: **Terry L. Wike**, Las Vegas, NV (US)

(**) Term: **14 Years**

(21) Appl. No.: **29/376,732**

(22) Filed: **Oct. 11, 2010**

(51) **LOC (9) Cl.** **08-06**

(52) **U.S. Cl.** **D8/310**

(58) **Field of Classification Search** D8/300,
D8/310, 107, 367; 16/110.1, 433, 441; 292/336.3;
D21/385, 386, 388; D7/393, 396; 220/912;
200/329; 74/545, 553; D12/400; D6/323
See application file for complete search history.

(56) **References Cited**

U.S. PATENT DOCUMENTS

436,523	A *	9/1890	Glover	16/441
784,131	A *	3/1905	Assel	16/441
963,053	A *	7/1910	Lockwood	16/441
1,405,988	A *	2/1922	Erwin	273/260
D68,807	S *	11/1925	Hill	D8/312
1,601,160	A *	9/1926	Busch	16/417
1,714,708	A *	5/1929	Winning	29/896.5
1,733,755	A *	10/1929	Replogle	16/441
D106,677	S *	10/1937	Schlage	D8/312
D139,149	S *	10/1944	Dey	D8/310
D149,191	S *	4/1948	Krause	D7/393
2,489,160	A *	11/1949	Schoepe et al.	292/347
2,493,764	A *	1/1950	Lamb	74/553
D176,713	S *	1/1956	Ellis	D8/310
2,826,934	A *	3/1958	Jakeway	74/553

D198,575	S *	7/1964	Wiltzie	D21/389
D200,095	S *	1/1965	Clayton	D8/310
D212,379	S *	10/1968	Dudas et al.	D7/393
D261,349	S *	10/1981	Ryser	D7/393
D284,444	S *	7/1986	Baumgarten	D7/393
D346,945	S *	5/1994	Robinson et al.	D8/107
D361,492	S *	8/1995	Chieda	D8/310
D361,671	S *	8/1995	Sharpe	D6/323
D389,326	S *	1/1998	Moore	D6/323
D429,455	S *	8/2000	Burns et al.	D8/310
D454,049	S *	3/2002	LaPlume et al.	D8/301
D490,694	S *	6/2004	Levine-Umans	D8/367
D564,332	S *	3/2008	McConnell	D8/310
D569,220	S *	5/2008	McConnell	D8/310

* cited by examiner

Primary Examiner — Paula Greene

(74) *Attorney, Agent, or Firm* — Greenberg Traurig

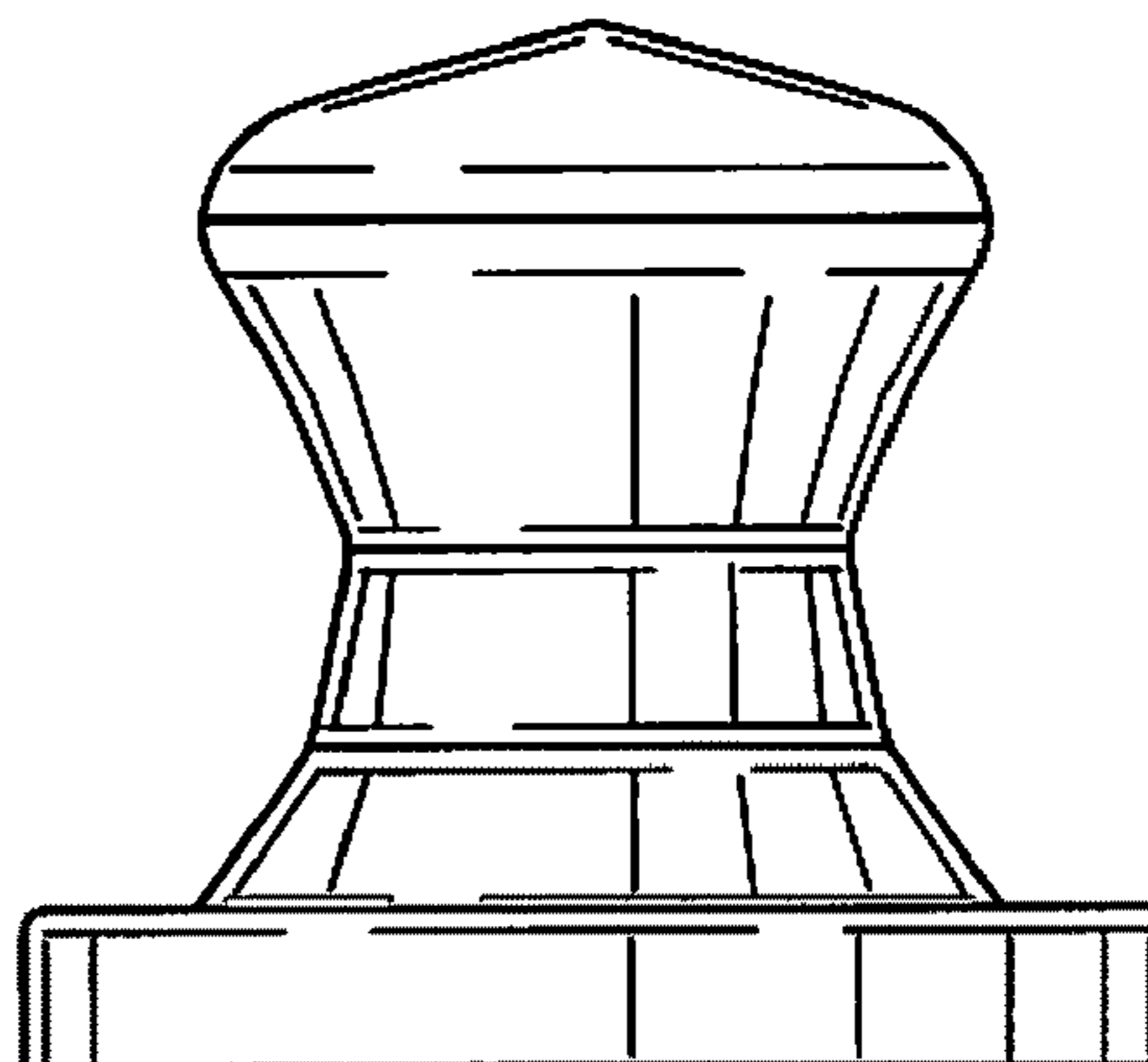
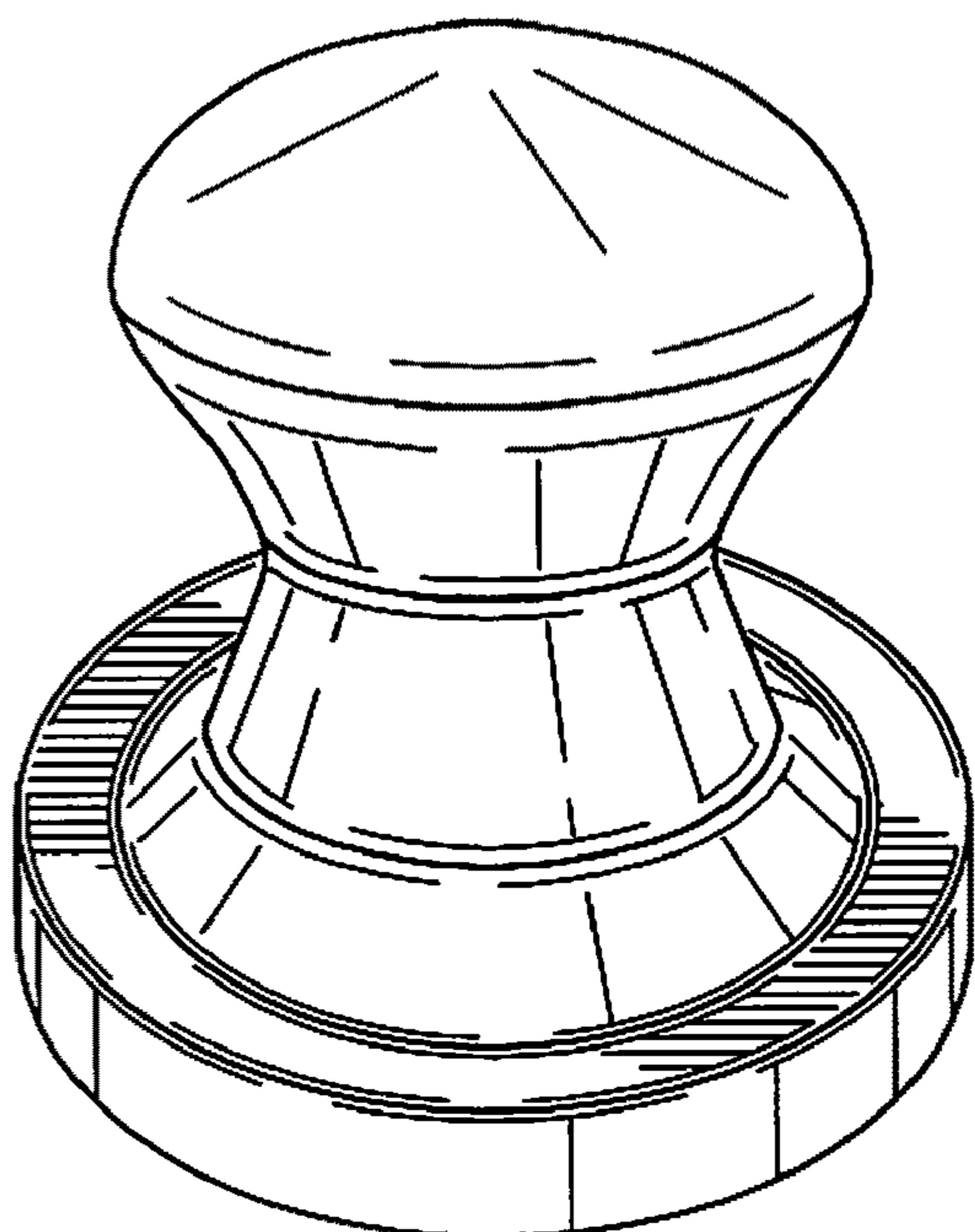
(57) **CLAIM**

The ornamental design for an electronic device handle, as shown and described.

DESCRIPTION

FIG. 1 is a perspective view of an electronic handle showing my new design;
FIG. 2 is a side elevational view thereof;
FIG. 3 is a top view thereof;
FIG. 4 is a bottom view thereof;
FIG. 5 is a side elevational view thereof; and,
FIG. 6 is a rear view thereof.
The broken lines form no part of the claimed design.

1 Claim, 3 Drawing Sheets



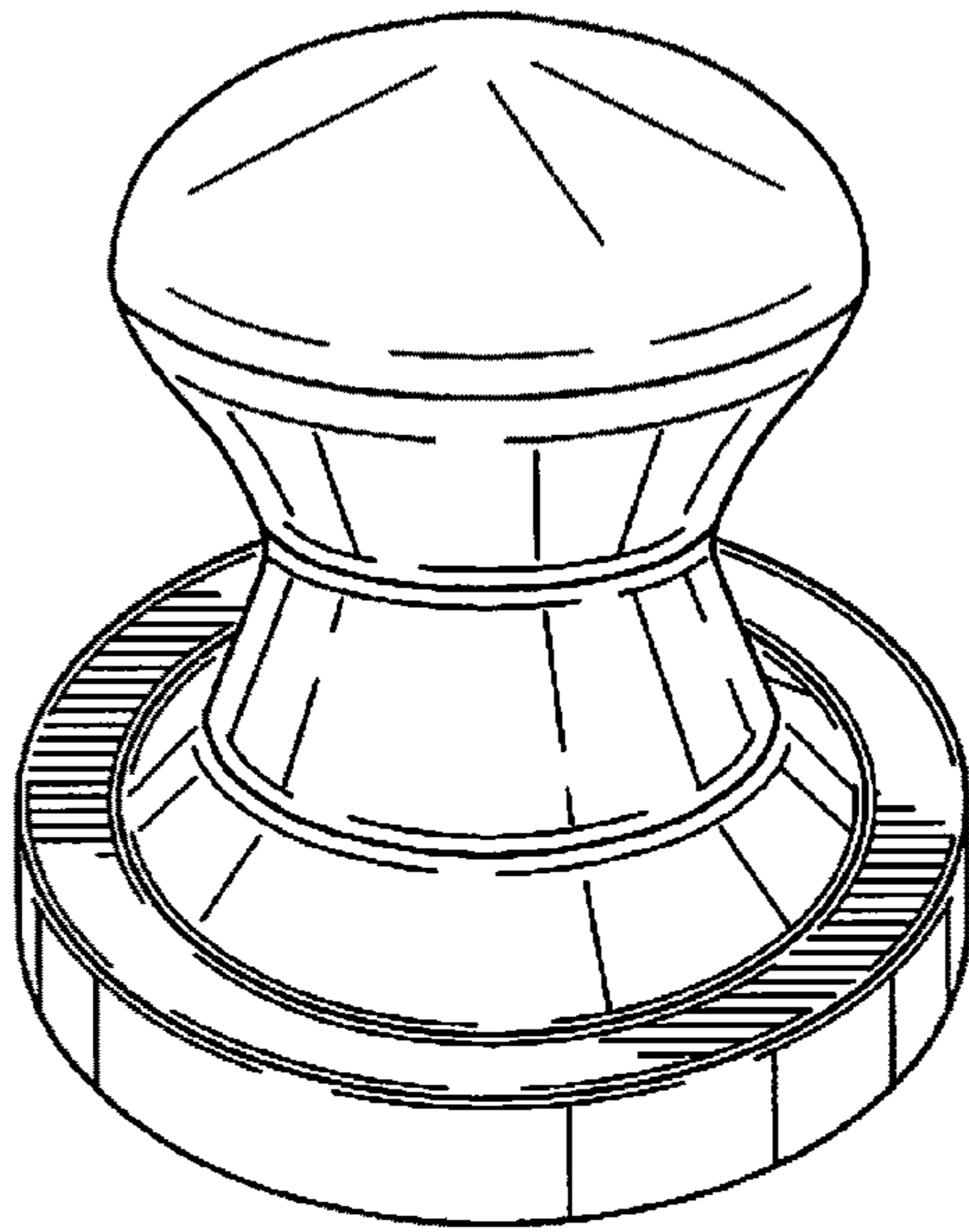


FIG. 1

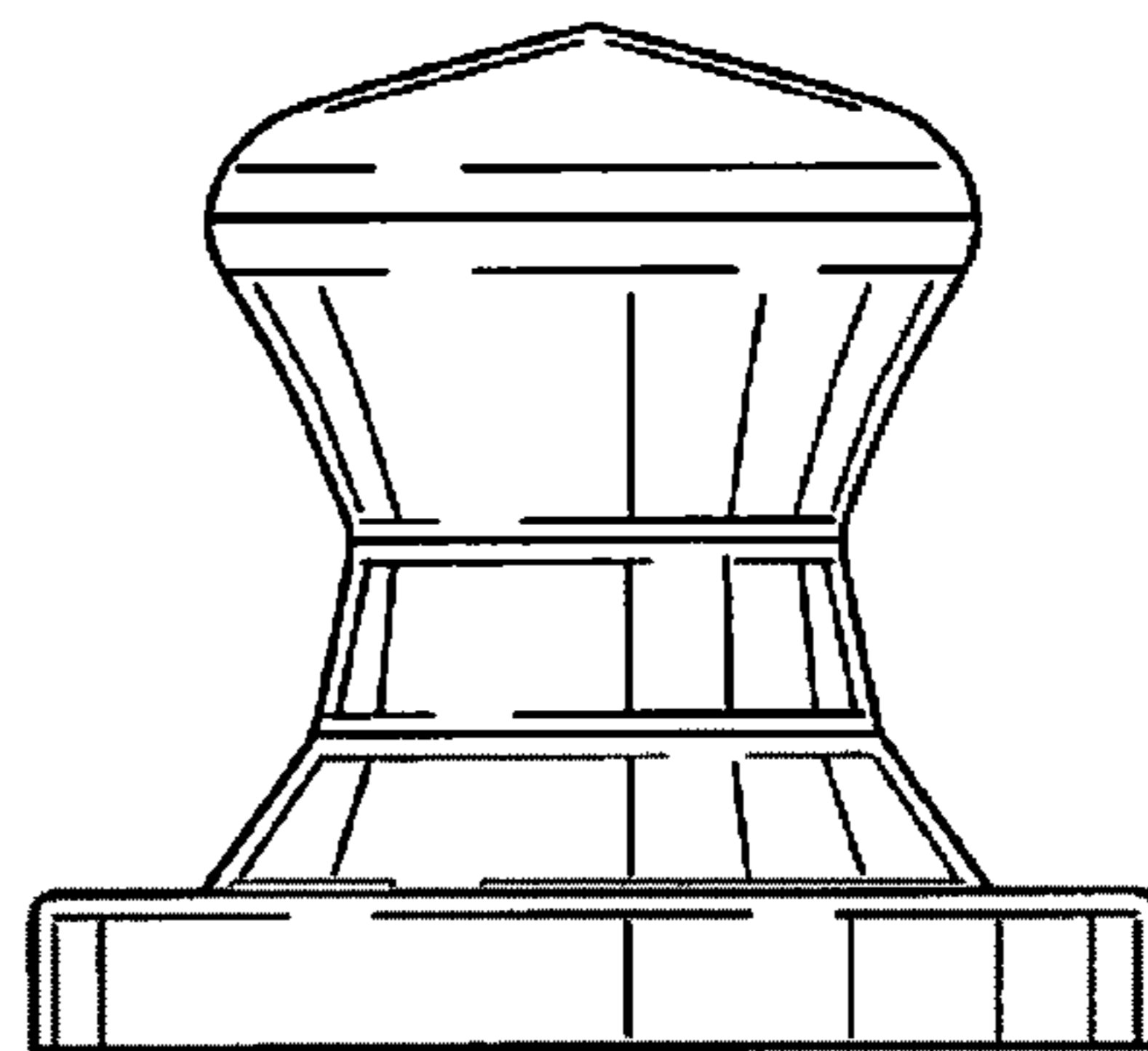


FIG. 2

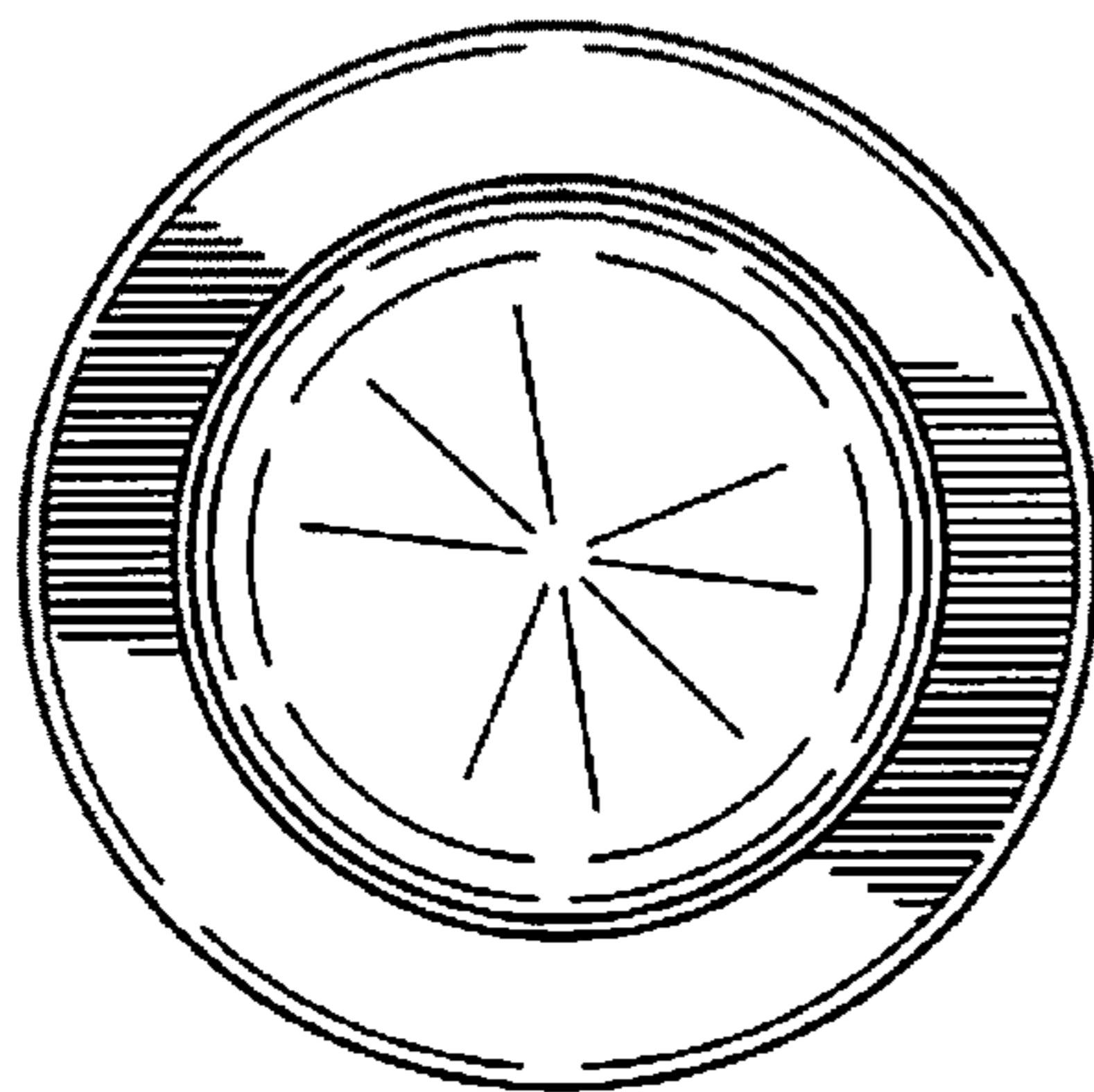


FIG. 3

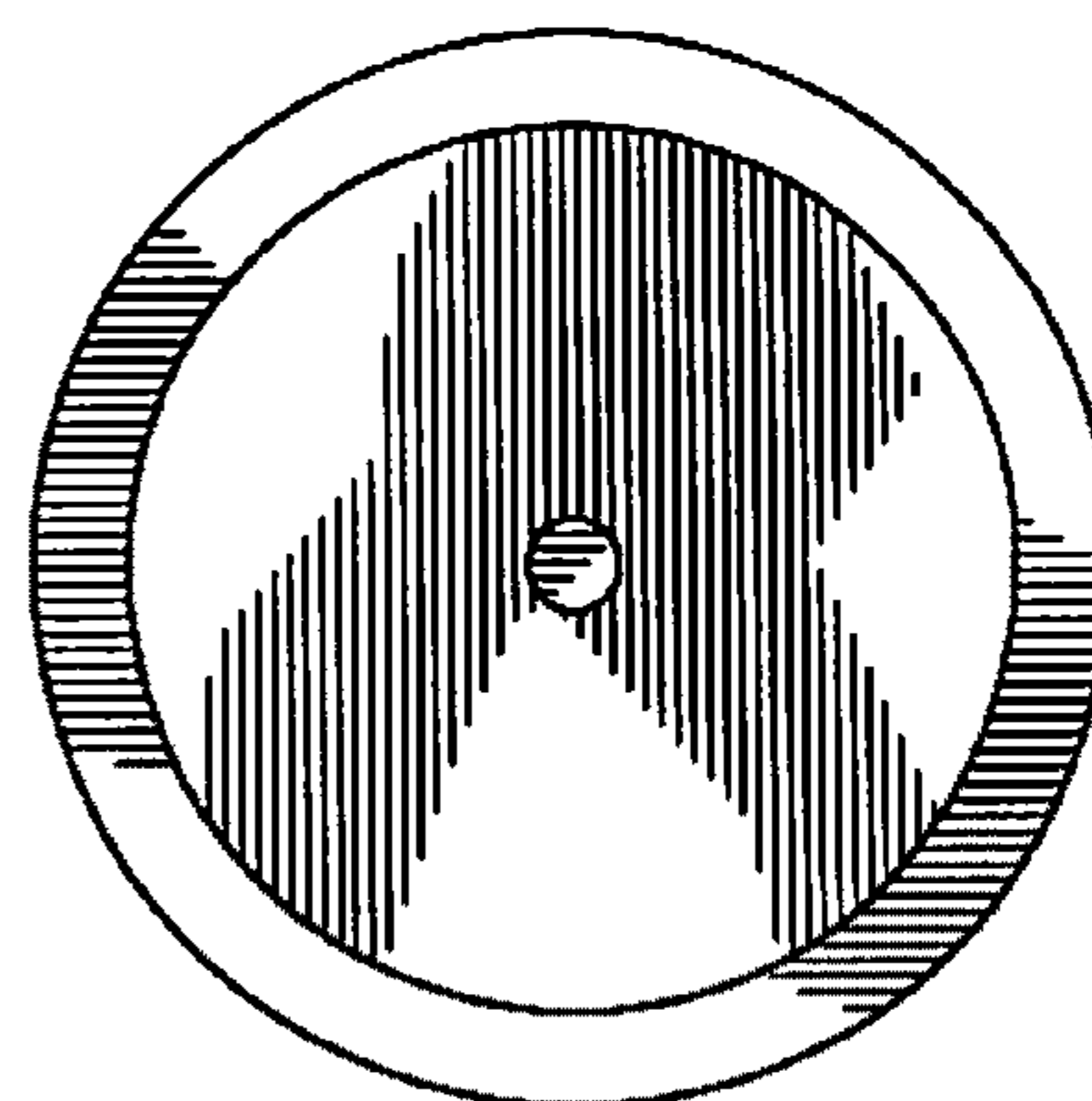


FIG. 4

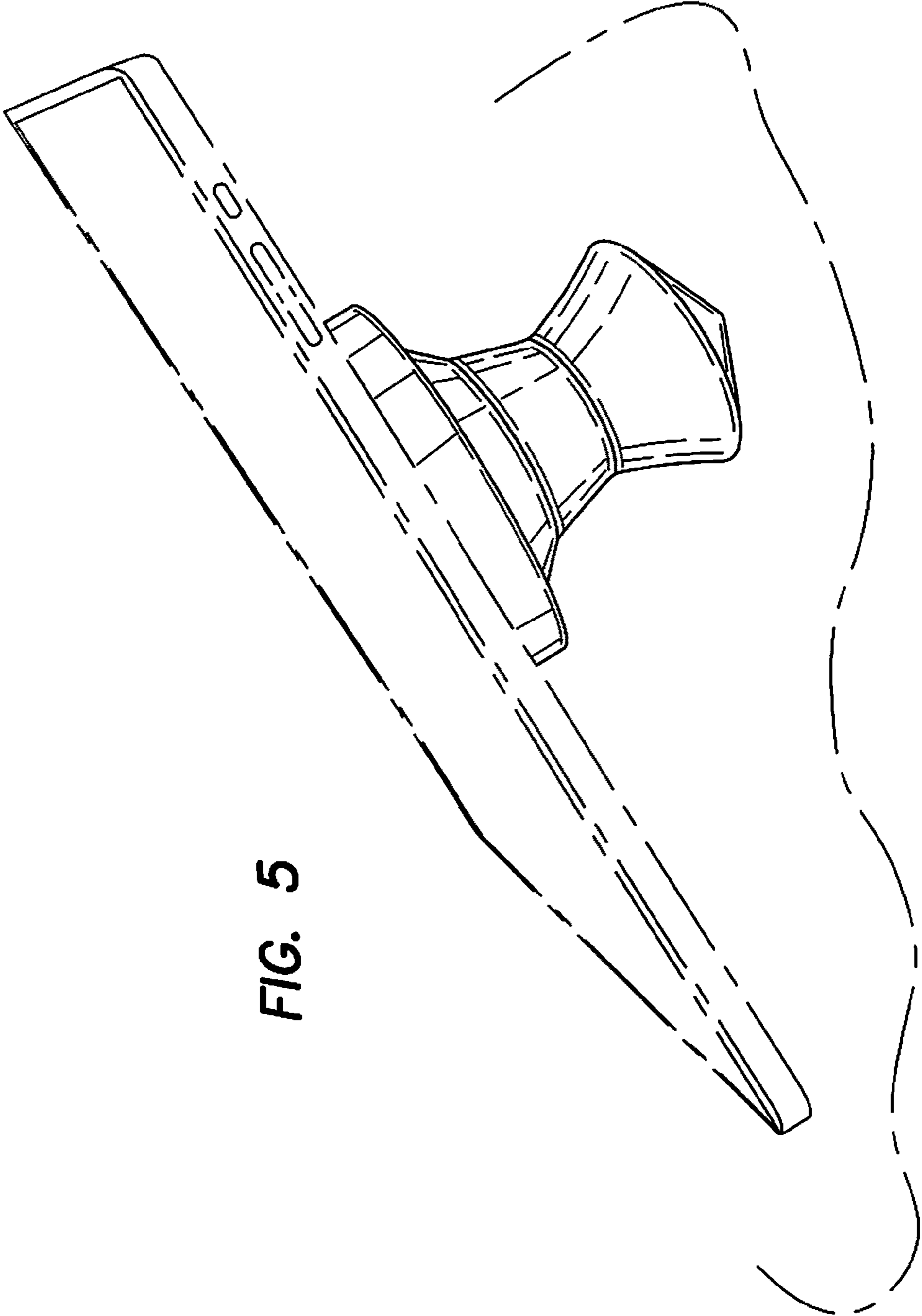


FIG. 5

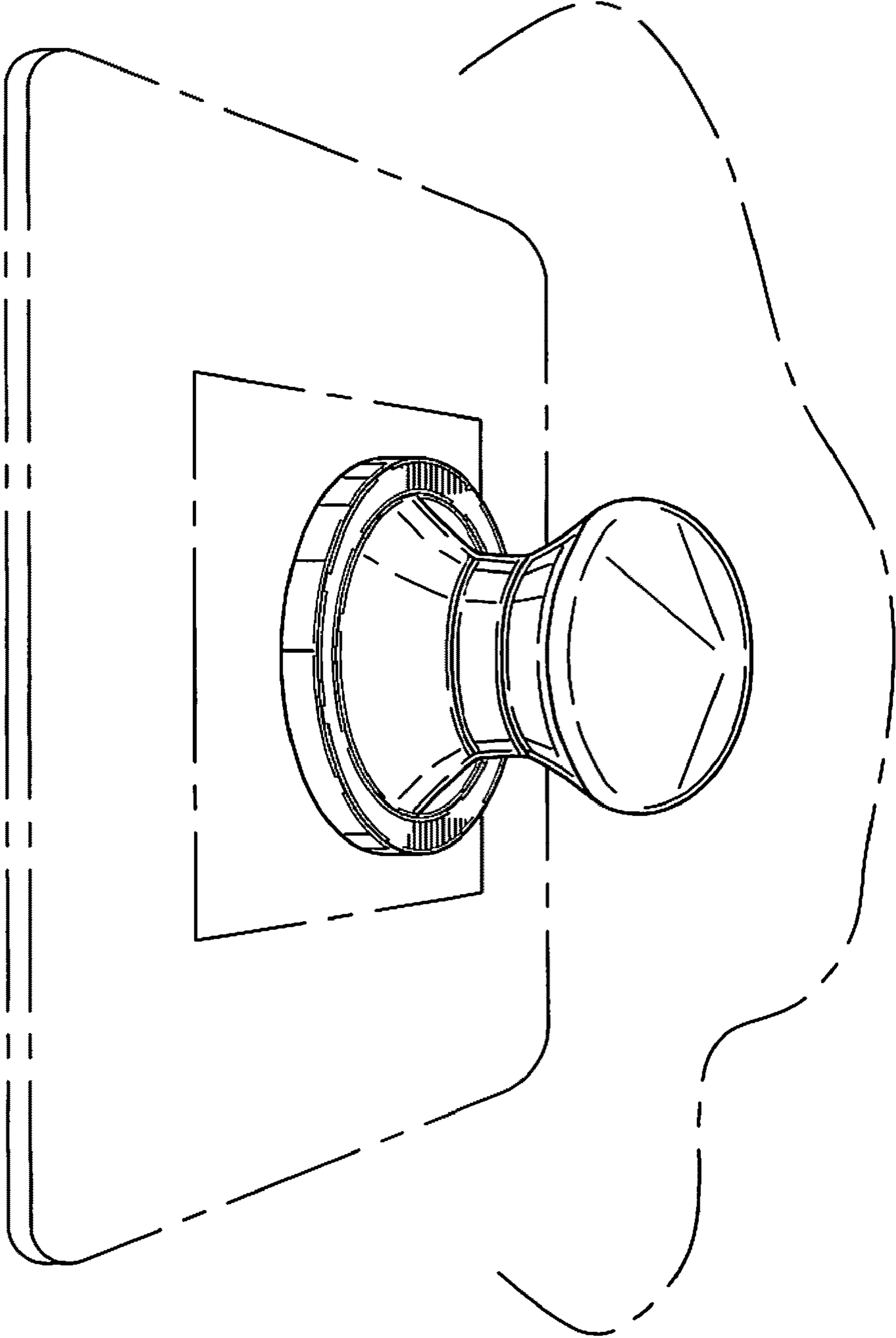


FIG. 6