



US00D653517S

(12) **United States Design Patent**
Lucio et al.

(10) **Patent No.:** **US D653,517 S**

(45) **Date of Patent:** **** *Feb. 7, 2012**

(54) **TOOL BIT**

(75) Inventors: **Thomas Lucio**, Coral Springs, FL (US);
Glenn Robinson, Coral Springs, FL (US)

(73) Assignee: **IBT Holdings, LLC**, Deerfield Beach, FL (US)

(*) Notice: This patent is subject to a terminal disclaimer.

(**) Term: **14 Years**

(21) Appl. No.: **29/372,557**

(22) Filed: **Dec. 9, 2010**

(51) **LOC (9) Cl.** **08-04**

(52) **U.S. Cl.** **D8/86**

(58) **Field of Classification Search** D8/82-87;
81/436, 438-441, 460-461, 489-490
See application file for complete search history.

(56) **References Cited**

U.S. PATENT DOCUMENTS

5,953,969	A *	9/1999	Rosenhan	81/436
6,490,950	B2 *	12/2002	Ray et al.	76/119
6,655,241	B2 *	12/2003	Kozak	81/460

7,168,348	B2 *	1/2007	Holland-Letz	81/460
7,581,470	B1 *	9/2009	Huang	81/438
D624,383	S *	9/2010	Hsu	D8/86
D627,205	S *	11/2010	Hsu	D8/86
2005/0076749	A1 *	4/2005	Liu	81/436

* cited by examiner

Primary Examiner — Philip S Hyder

Assistant Examiner — Roselynn Cody

(74) *Attorney, Agent, or Firm* — Dan De La Rosa

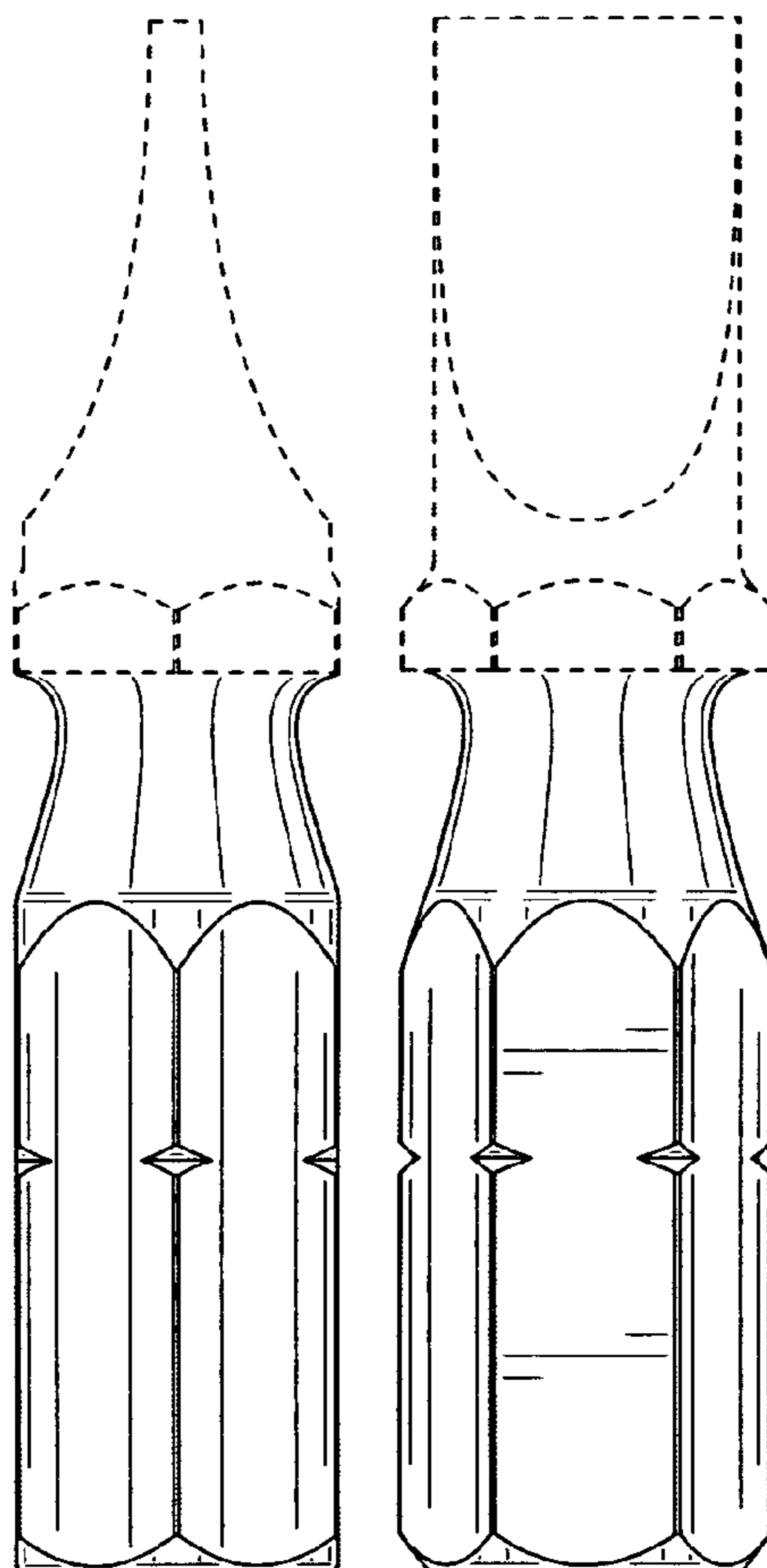
(57) **CLAIM**

The ornamental design for a tool bit, as shown and described.

DESCRIPTION

FIG. 1 is an overhead perspective view of the tool bit of the present invention showing my new design; FIG. 2 is a side elevational view thereof; FIG. 3 is a top plan view thereof; FIG. 4 is a front elevational view thereof; FIG. 5 is another side elevational view thereof; FIG. 6 is a back elevational view thereof; FIG. 7 is a bottom plan view thereof; and, FIG. 8 is a rear perspective view of the tool bit. The broken lines in the drawings illustrate unclaimed environment and form no part of the claim.

1 Claim, 4 Drawing Sheets



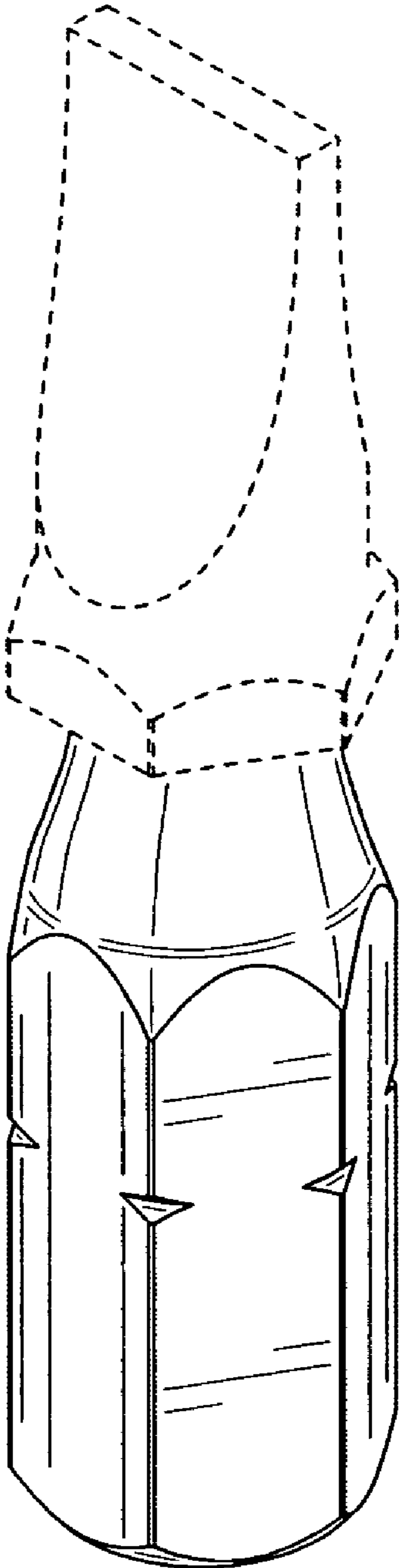


FIG. 1

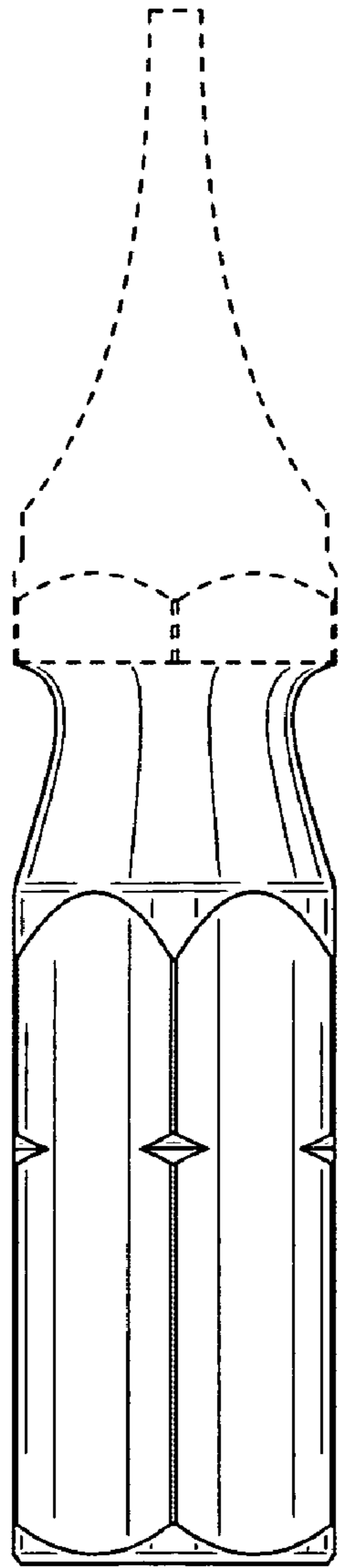


FIG. 2

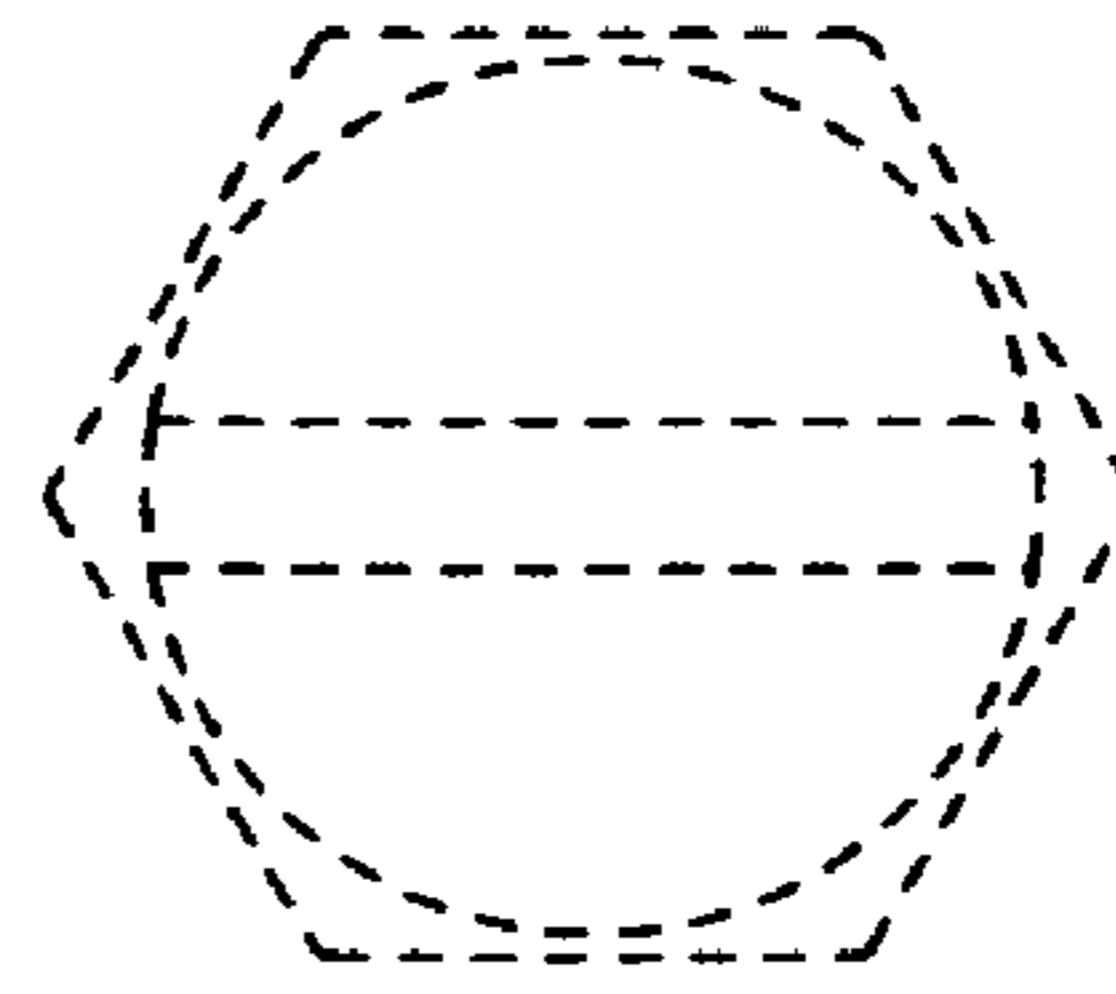


FIG. 3

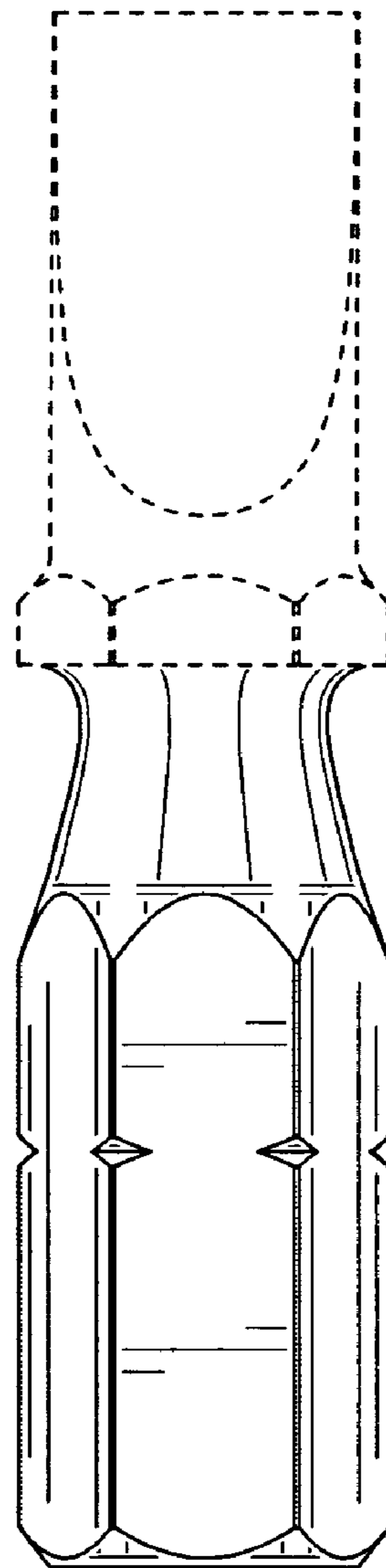


FIG. 4

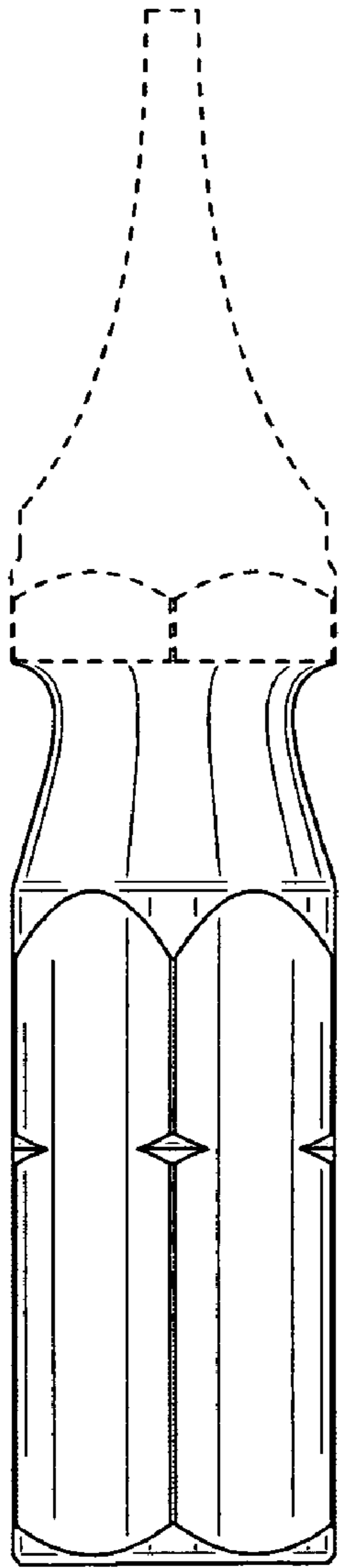


FIG. 5

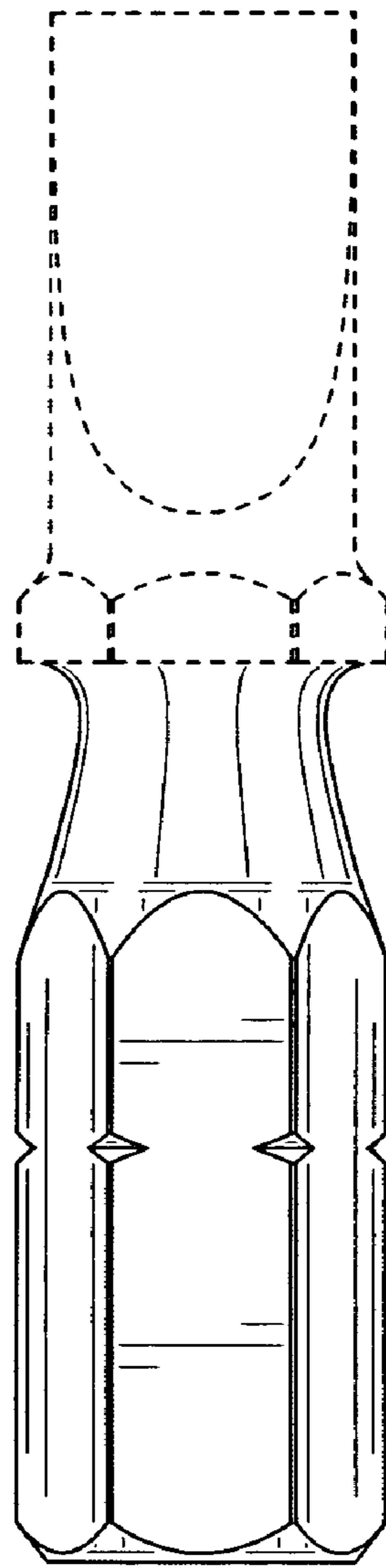


FIG. 6

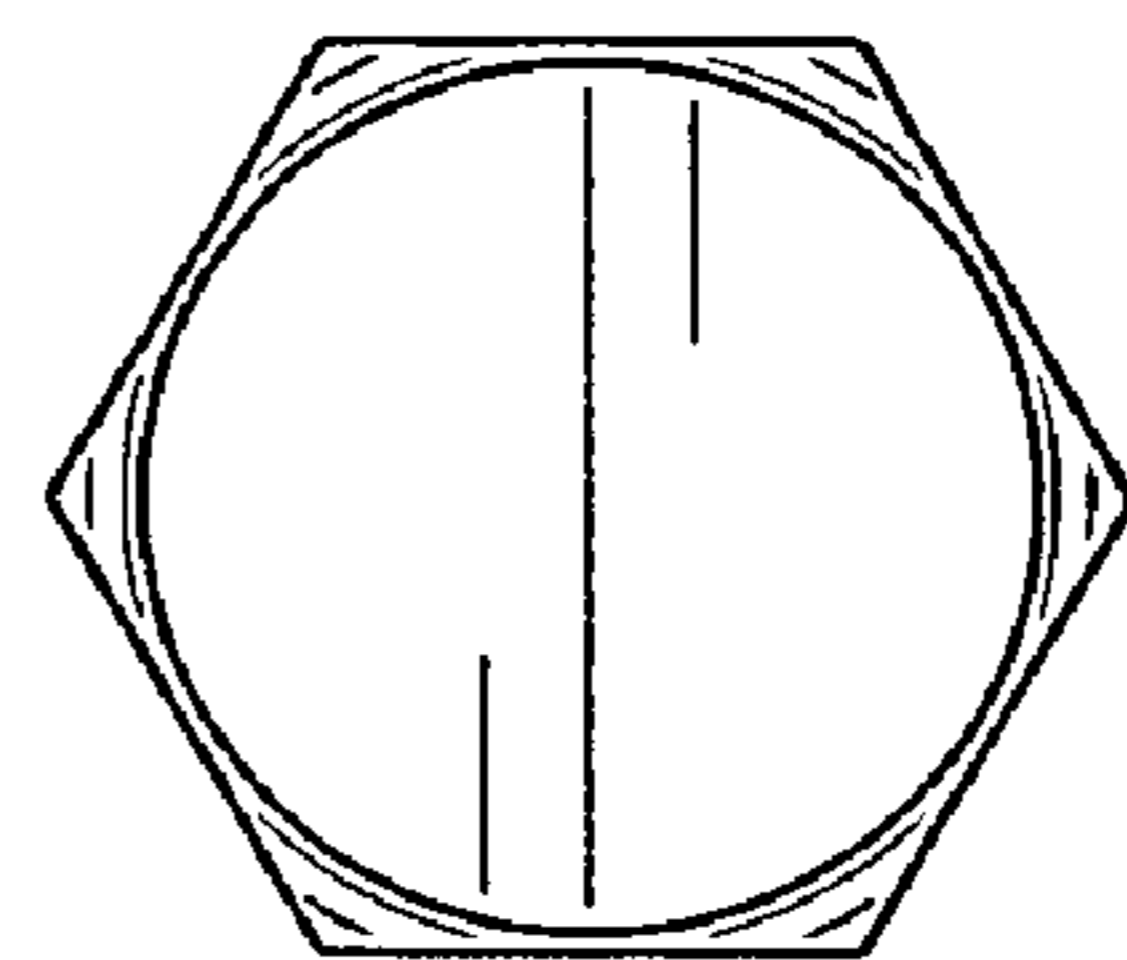


FIG. 7

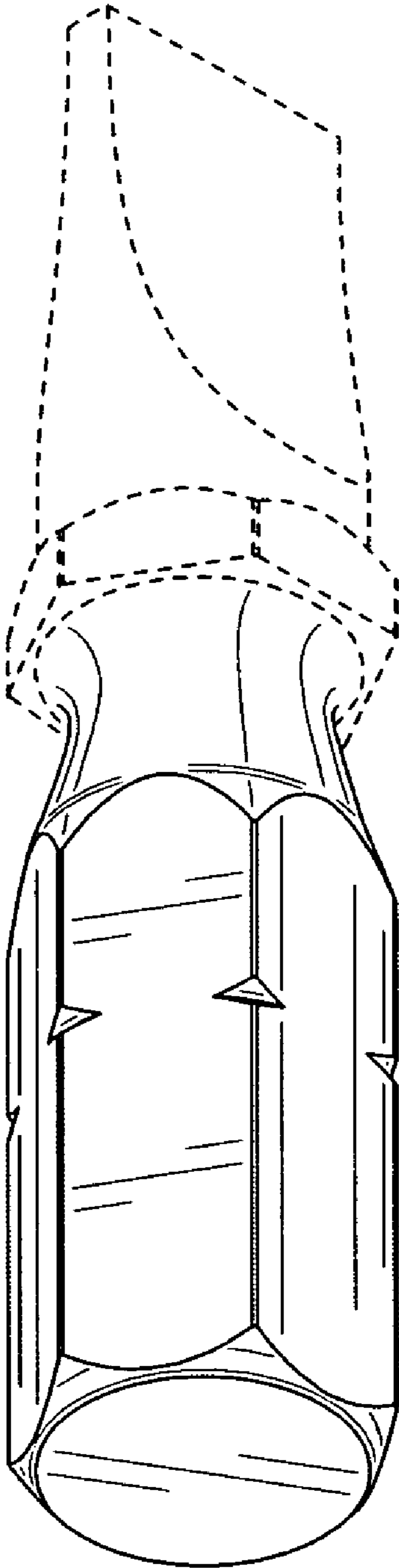


FIG. 8