

US00D653515S

(12) **United States Design Patent**
De Salvo et al.

(10) **Patent No.:** **US D653,515 S**

(45) **Date of Patent:** **** *Feb. 7, 2012**

(54) **SCREWDRIVER HANDLE**

(75) Inventors: **Rosario De Salvo**, Milan (IT); **Giorgio Tusa**, Brescia (IT)

(73) Assignee: **Fasangas S.R.L.**, Surbo (IT)

(*) Notice: This patent is subject to a terminal disclaimer.

(**) Term: **14 Years**

(21) Appl. No.: **29/347,835**

(22) Filed: **Jun. 21, 2010**

(30) **Foreign Application Priority Data**

Jan. 14, 2010 (EM) 001189393

(51) **LOC (9) Cl.** **08-04**

(52) **U.S. Cl.** **D8/83**

(58) **Field of Classification Search** D8/47,
D8/82-85, 87, 107; 16/110.1, 421; 81/177.1,
81/177.2, 177.4, 436-440, 451-458, 489;
30/443

See application file for complete search history.

(56) **References Cited**

U.S. PATENT DOCUMENTS

190,459	A *	5/1877	Wilkinson	81/489
264,798	A *	9/1882	Tyler	81/489
470,001	A *	3/1892	Howard	81/58
D33,589	S *	11/1900	Higgins	D8/107
680,065	A *	8/1901	Noble	81/436
D37,896	S *	3/1906	Wood	D8/83
1,502,465	A *	7/1924	Garrett	30/443
1,632,227	A *	6/1927	Halsey	16/421
D79,334	S *	9/1929	Juede	D8/83
D103,676	S *	3/1937	Fegley et al.	D8/82

3,315,545	A *	4/1967	Schnoebelen	475/270
D248,537	S *	7/1978	Smith	D8/82
D261,978	S *	11/1981	Smith et al.	D8/82
D278,593	S *	4/1985	MacGregor	D8/83
D335,074	S *	4/1993	Hahn	D8/83
D338,385	S *	8/1993	Shu	D8/83
D383,661	S *	9/1997	Chang	D8/83
D387,264	S *	12/1997	Snow	D8/105
D405,341	S *	2/1999	Hsu	D8/107
6,116,123	A *	9/2000	Chen	81/177.2
D444,693	S *	7/2001	Griese et al.	D8/107
D448,645	S *	10/2001	Lin	D8/107
D467,154	S *	12/2002	Song	D8/107
D467,486	S *	12/2002	Mathieu et al.	D8/83
D611,513	S *	3/2010	Coburn	D15/140
2009/0078095	A1 *	3/2009	Hsieh	81/436
2009/0326545	A1 *	12/2009	Schaffhausen	606/104

* cited by examiner

Primary Examiner — Adir Aronovich

Assistant Examiner — Roselynn Cody

(74) *Attorney, Agent, or Firm* — Modiano & Associati;
Albert Josif; Daniel O'Byrne

(57) **CLAIM**

The ornamental design for a screwdriver handle, as shown.

DESCRIPTION

FIG. 1 is a perspective view of a screwdriver handle showing our new design;

FIG. 2 is a front view thereof;

FIG. 3 is a rear view thereof;

FIG. 4 is a left side view thereof;

FIG. 5 is a right side view thereof;

FIG. 6 is a top view thereof;

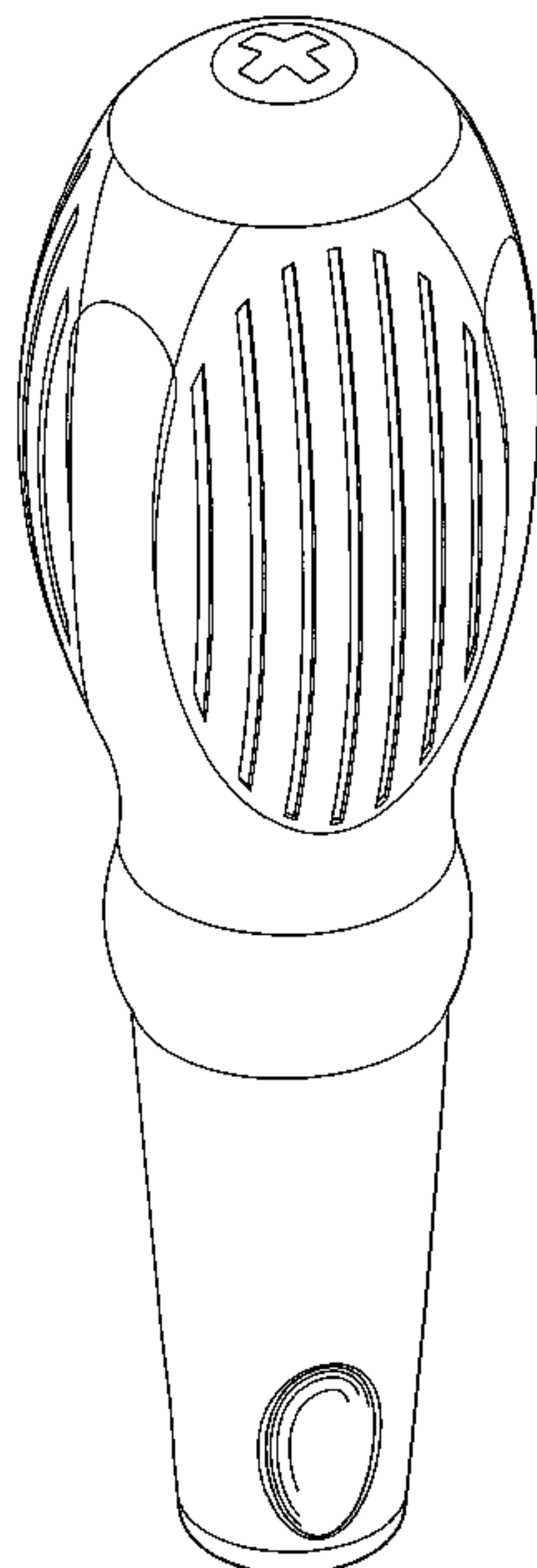
FIG. 7 is a bottom view thereof;

FIG. 8 is a further perspective view thereof;

FIG. 9 is a further perspective view thereof; and,

FIG. 10 is a further perspective view thereof.

1 Claim, 9 Drawing Sheets



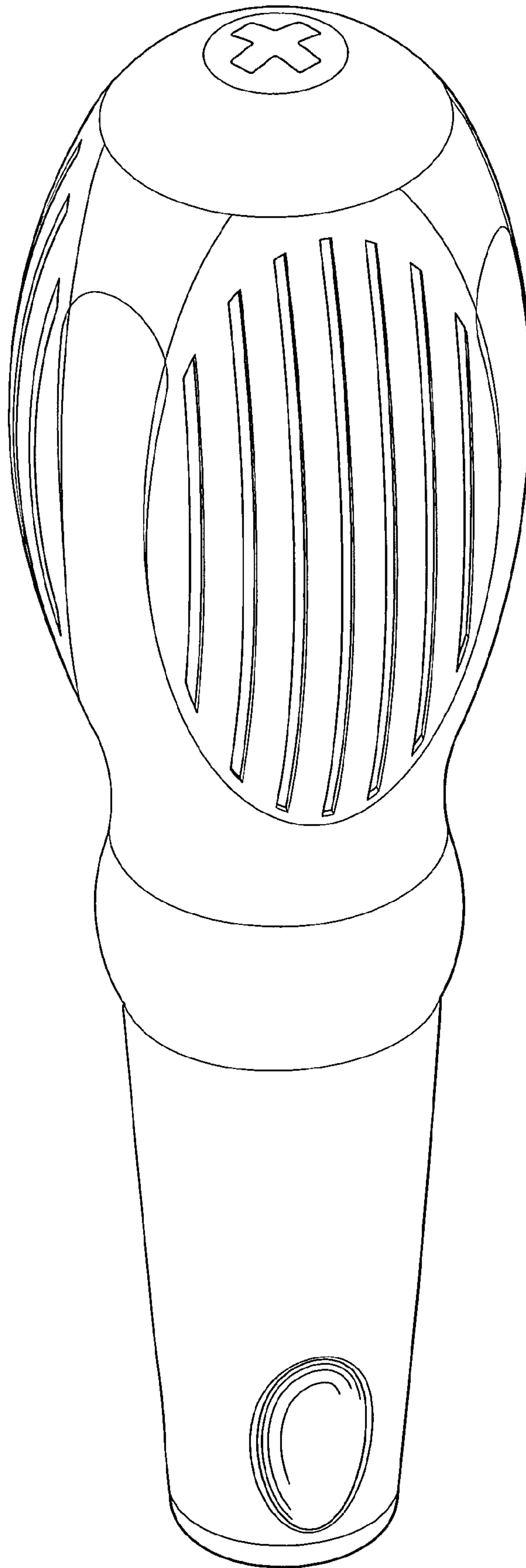


Fig. 1

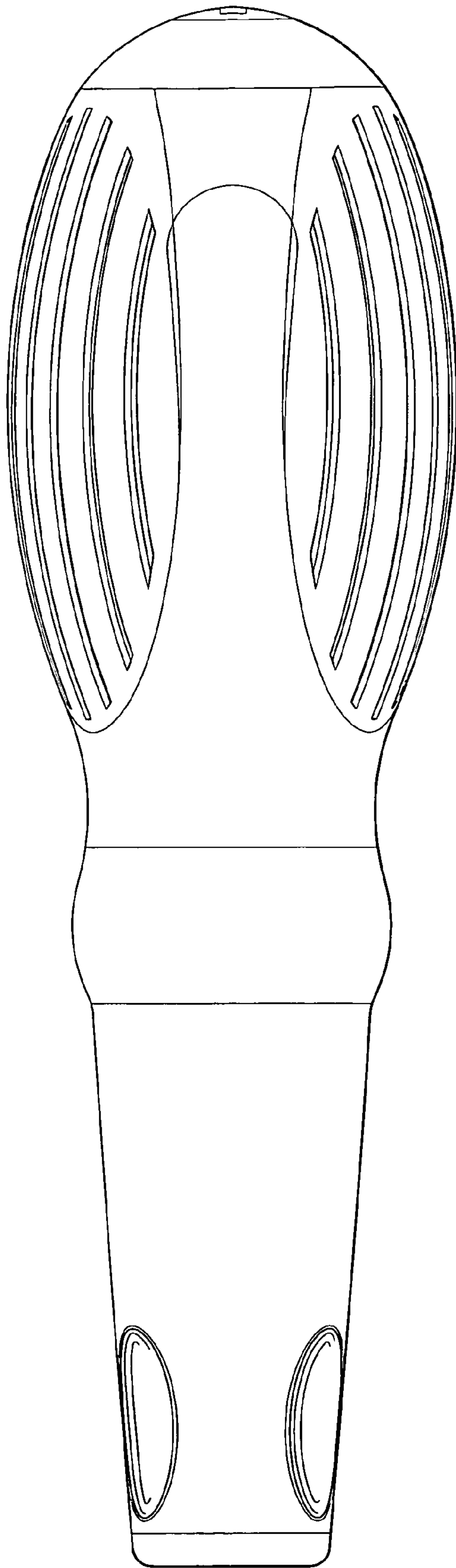


Fig. 2

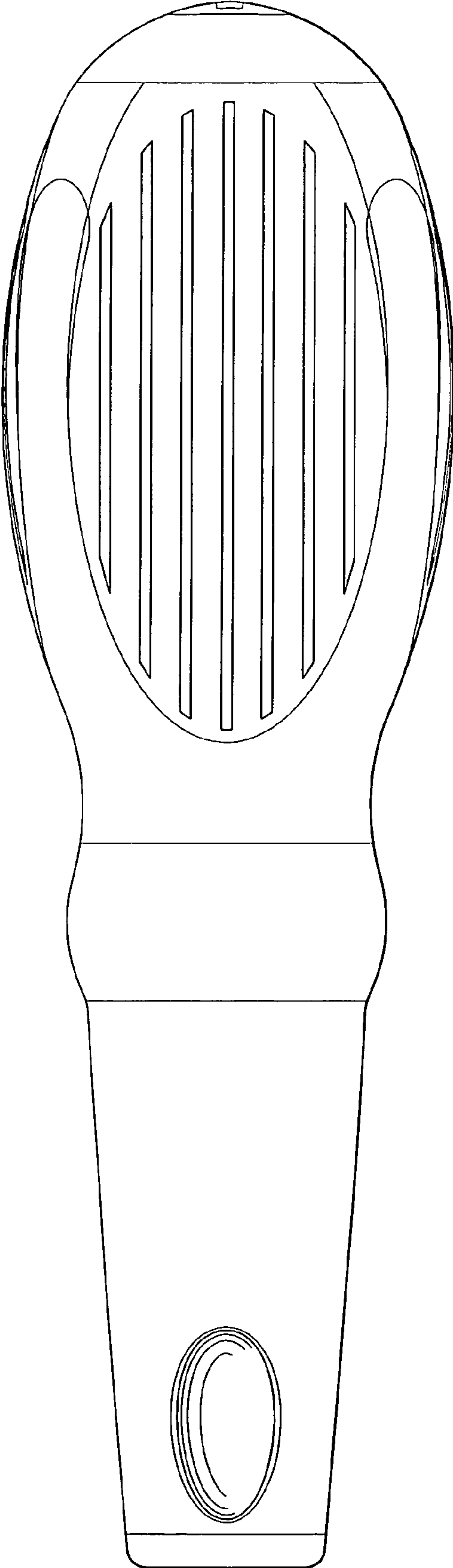


Fig. 3

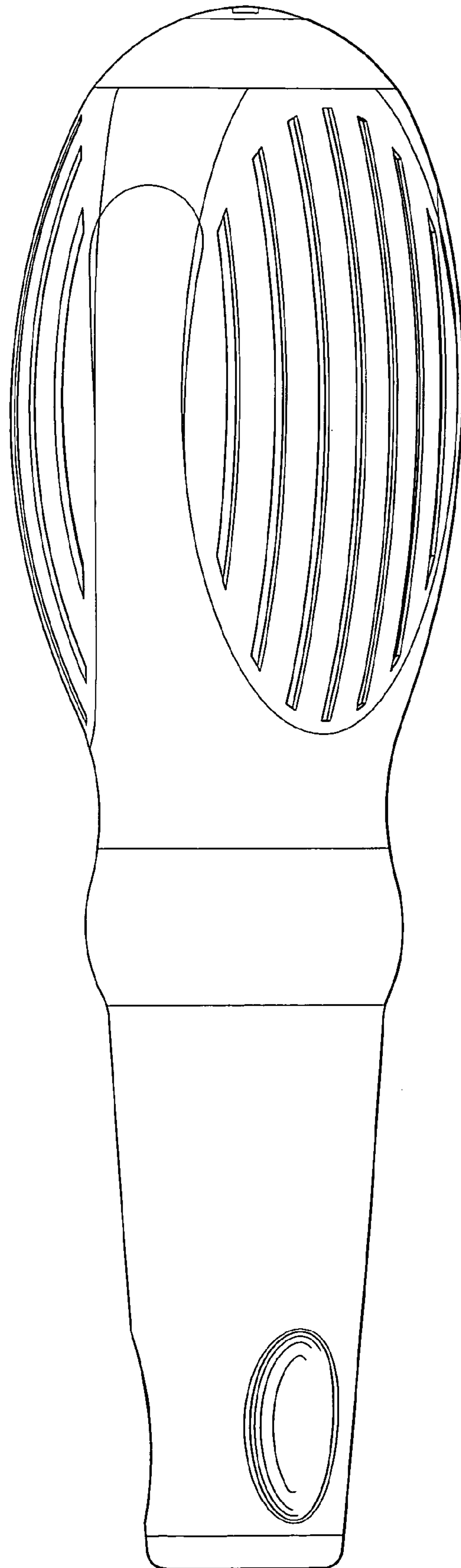


Fig. 4

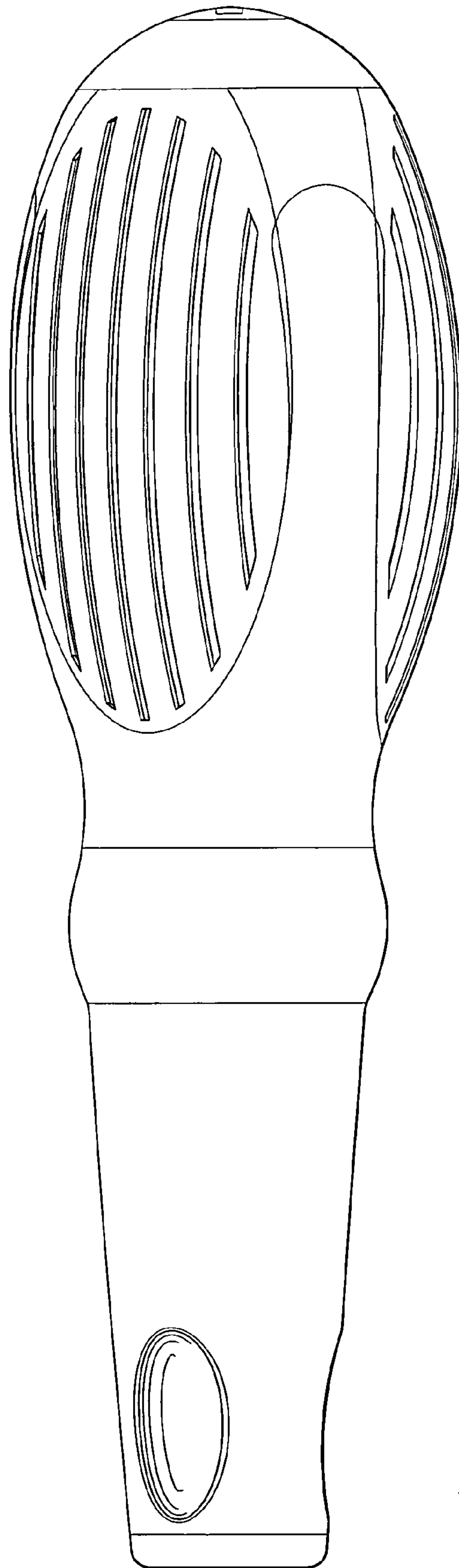


Fig. 5

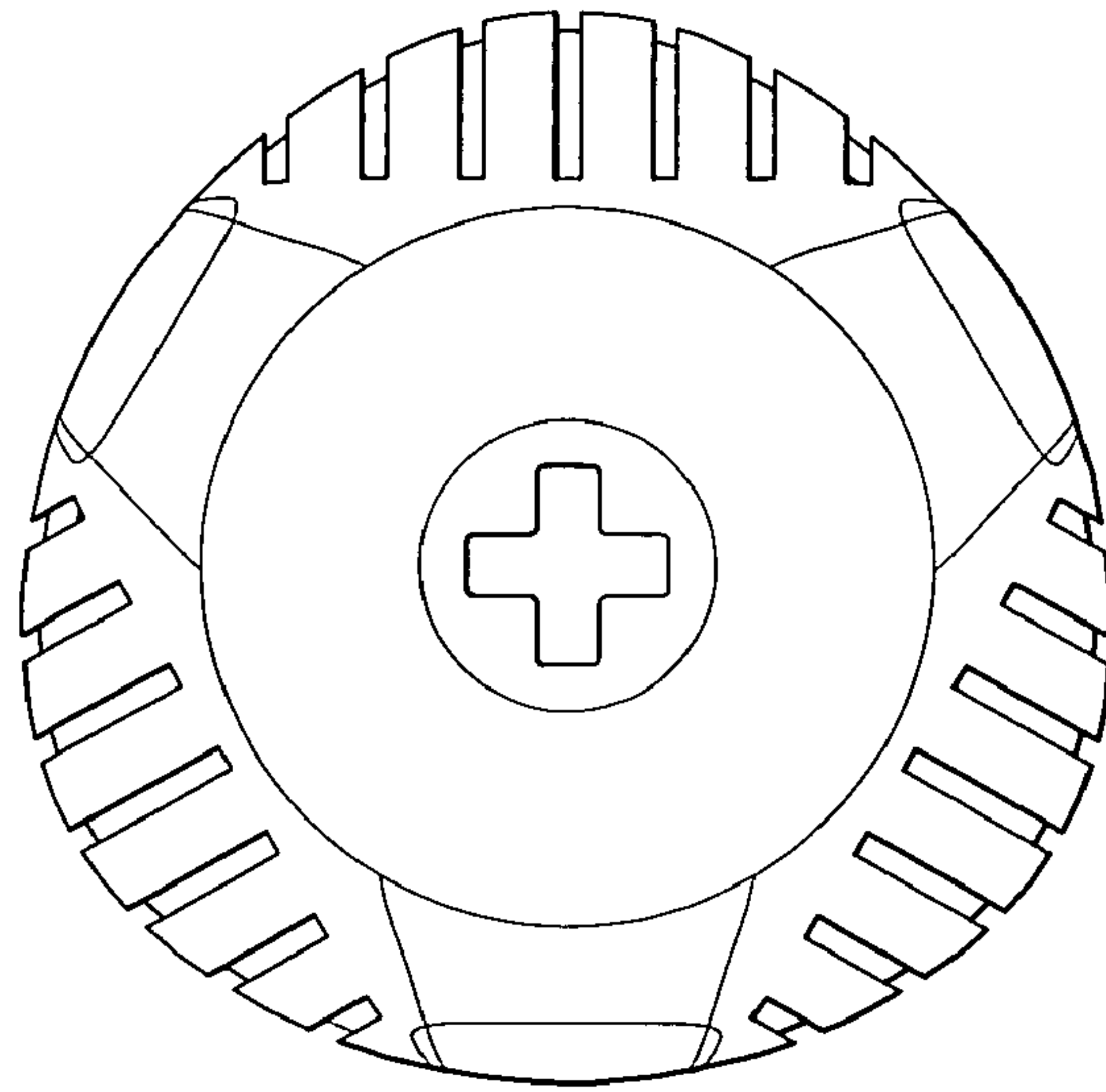


Fig. 6

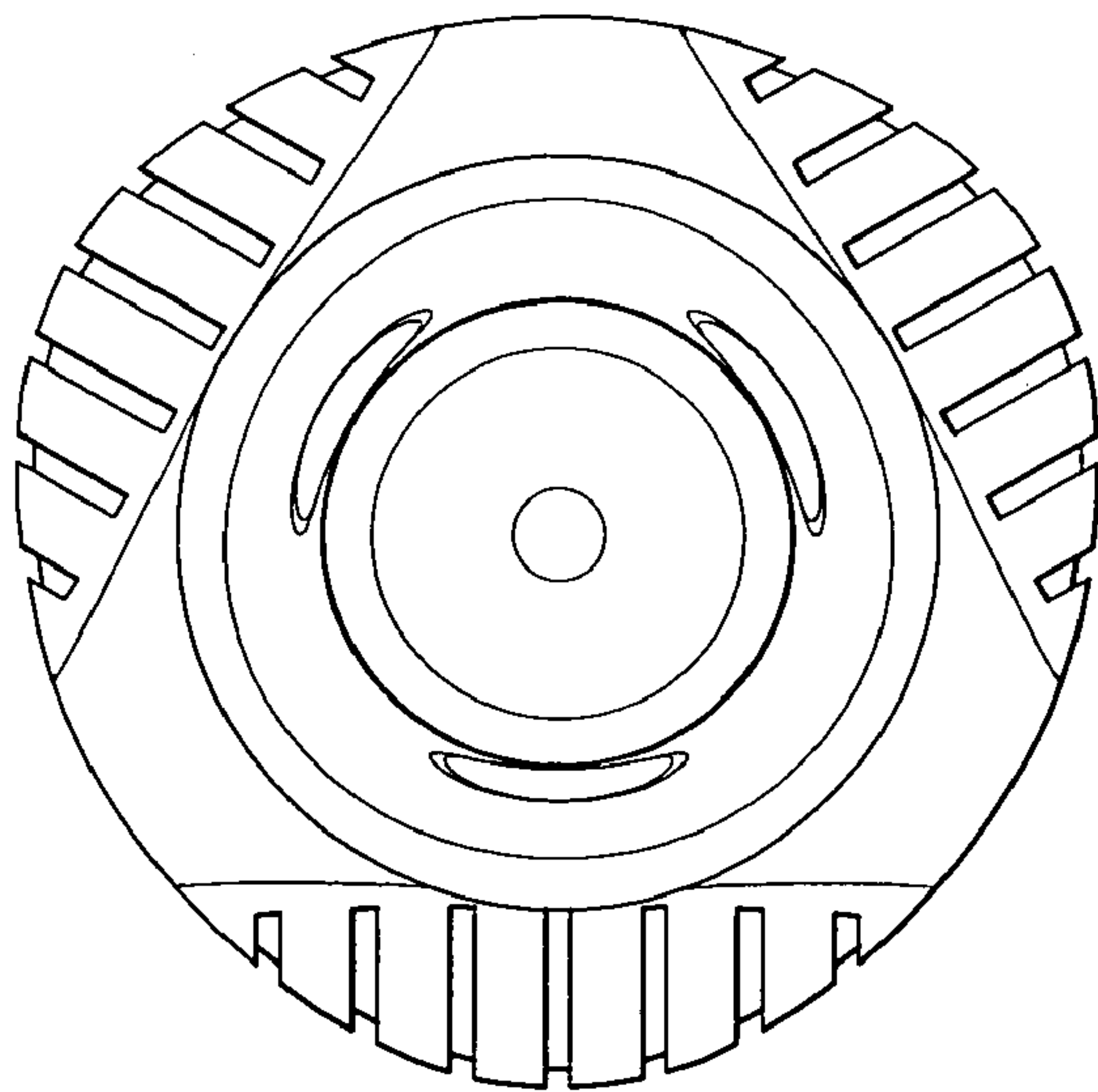


Fig. 7

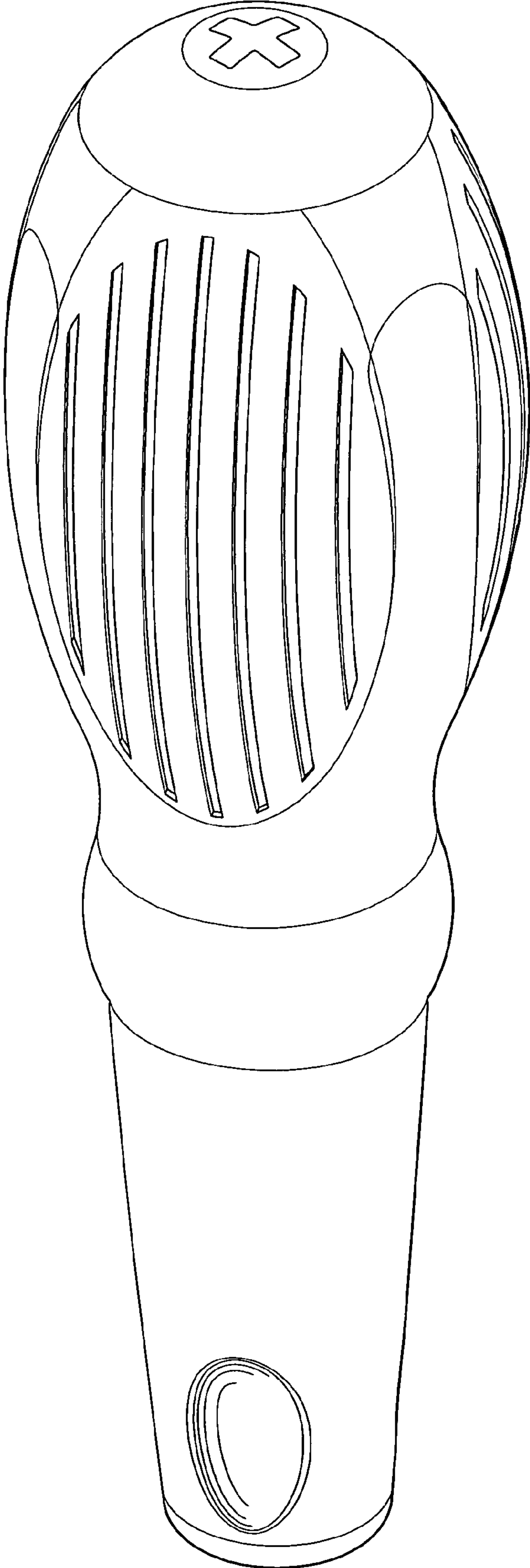


Fig. 8

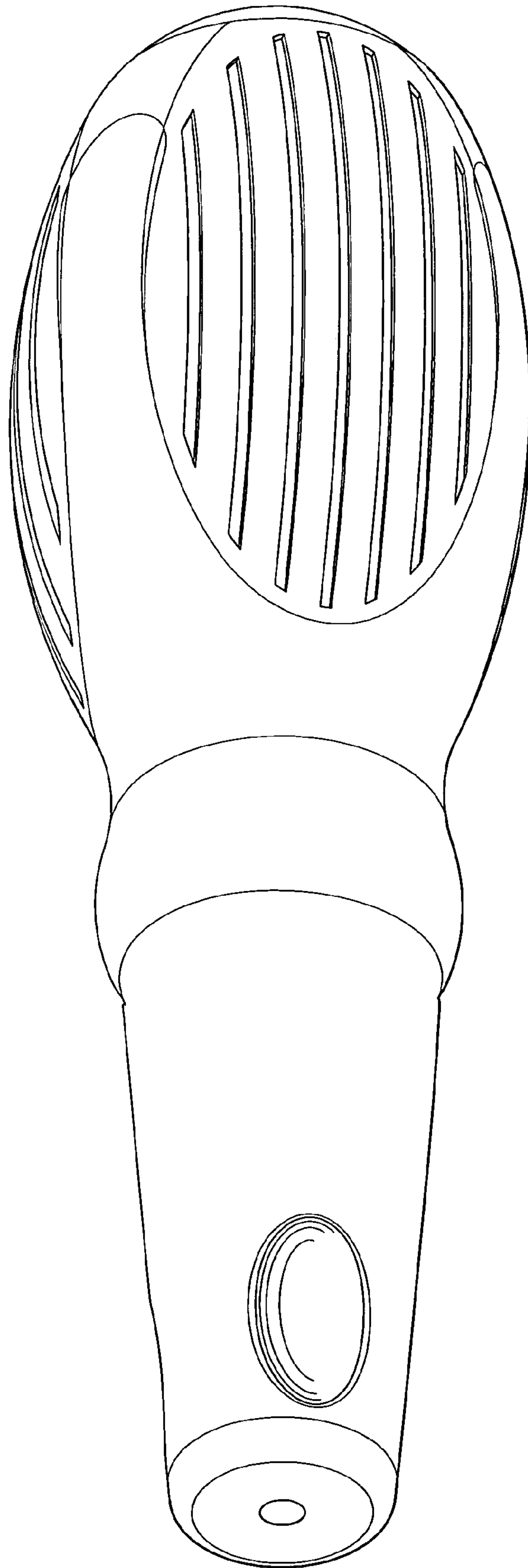


Fig. 9

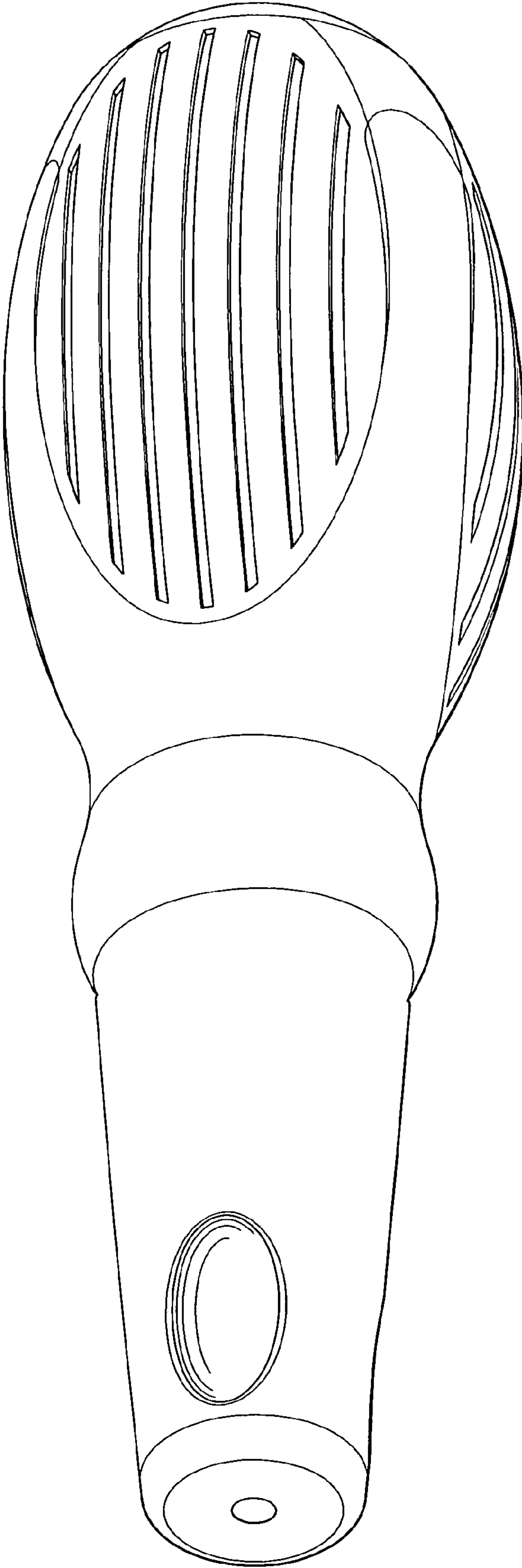


Fig. 10