



US00D653514S

(12) **United States Design Patent**
Wenning

(10) **Patent No.:** **US D653,514 S**

(45) **Date of Patent:** **** Feb. 7, 2012**

(54) **HOLD-DOWN CLAMP**

(75) Inventor: **Daniel Wenning**, Minneapolis, MN (US)

(73) Assignee: **Rockler Companies, Inc.**, Medina, MN (US)

(**) Term: **14 Years**

(21) Appl. No.: **29/353,061**

(22) Filed: **Dec. 31, 2009**

(51) **LOC (9) Cl.** **08-05**

(52) **U.S. Cl.** **D8/72**

(58) **Field of Classification Search** D8/71-74,
D8/394-399, 354, 355, 356, 59; 248/62,
248/63, 72, 74.1, 689, 124.2; 81/487; 269/3,
269/4, 6, 143, 165, 240, 243, 246-249, 254 R,
269/147-149; 29/256, 257, 276; D15/140;
D24/143; 408/103, 104-109; D7/683, 685,
D7/686; D6/400

See application file for complete search history.

(56) **References Cited**

U.S. PATENT DOCUMENTS

D249,765 S *	10/1978	Wilson	D8/354
D267,625 S *	1/1983	Dark	D8/73
D356,722 S *	3/1995	Tessman	D8/72
D358,971 S *	6/1995	Glynn	D8/73
D375,238 S *	11/1996	Colley	D8/72
D378,343 S *	3/1997	Macor	D8/73
D393,998 S *	5/1998	Anderson	D8/394
D436,814 S *	1/2001	Gore	D8/51
D447,045 S *	8/2001	Hundley	D8/354
D551,528 S *	9/2007	Vautour	D8/72

D556,531 S *	12/2007	Allen	D8/72
D561,008 S *	2/2008	Jones	D8/355
D583,640 S *	12/2008	Gilham	D8/73

OTHER PUBLICATIONS

Five photos of a clamp that was on sale in the United States prior to Dec. 29, 2008 (one sheet—a website print: Woodpeckers Precision Woodworking Tools, entitled “Universal Track Clamp,” printed Dec. 29, 2009; <http://www.woodpeck.com/utc.html>).

* cited by examiner

Primary Examiner — David Muller

(74) *Attorney, Agent, or Firm* — Altera Law Group, LLC

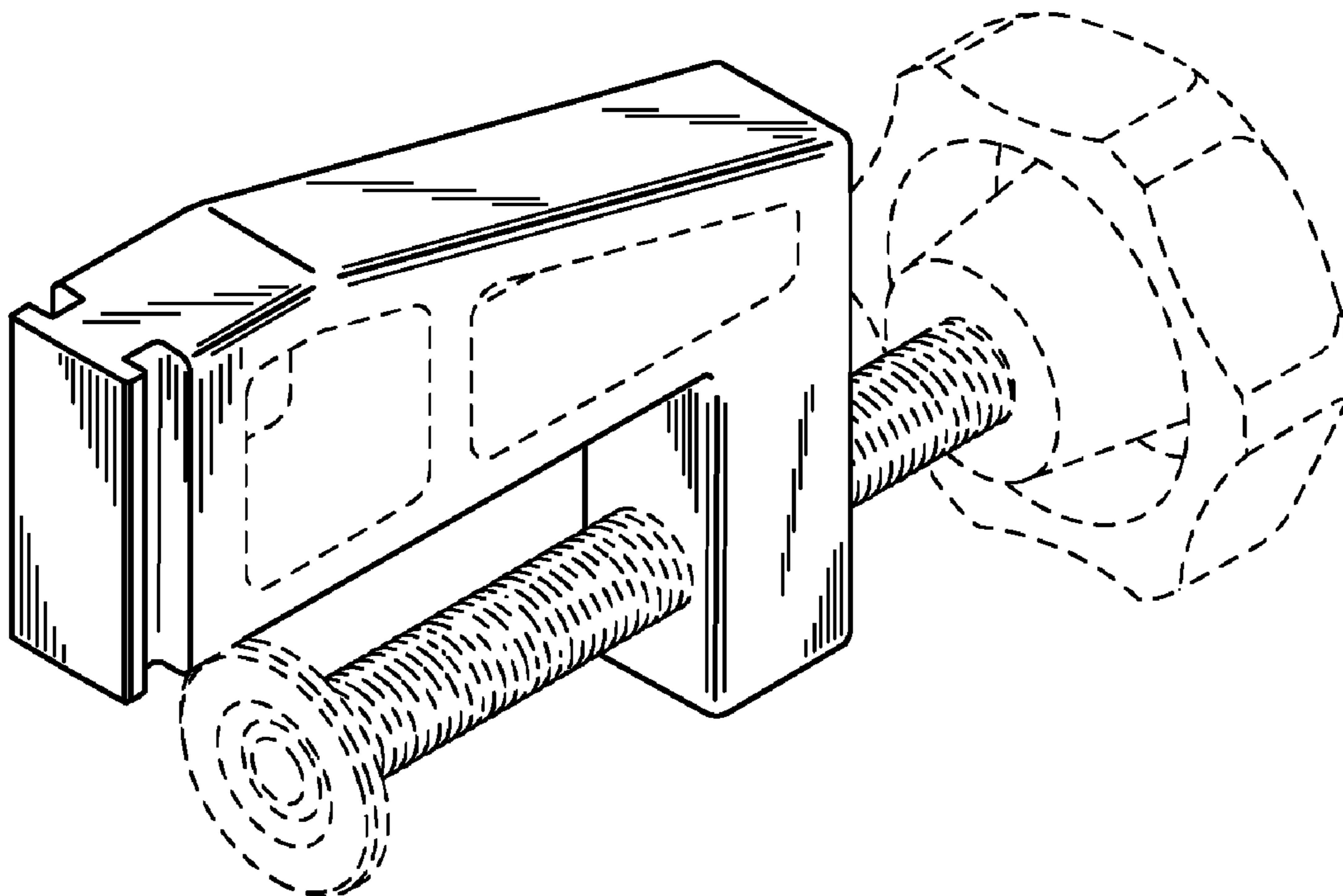
(57) **CLAIM**

The ornamental design for a hold-down clamp, as shown and described.

DESCRIPTION

FIG. 1 is an isometric view of a hold down clamp;
FIG. 2 is a side view thereof, as taken from the right side in FIG. 1;
FIG. 3 is a side view thereof, as taken from the left side in FIG. 1;
FIG. 4 is a front end view thereof (from the right as seen in FIG. 1)
FIG. 5 is a rear end view thereof (from the left as seen in FIG. 1);
FIG. 6 is a bottom view thereof; and,
FIG. 7 is a top view thereof.
The features shown in broken lines depict environmental subject matter only and form no part of the claimed design.

1 Claim, 4 Drawing Sheets



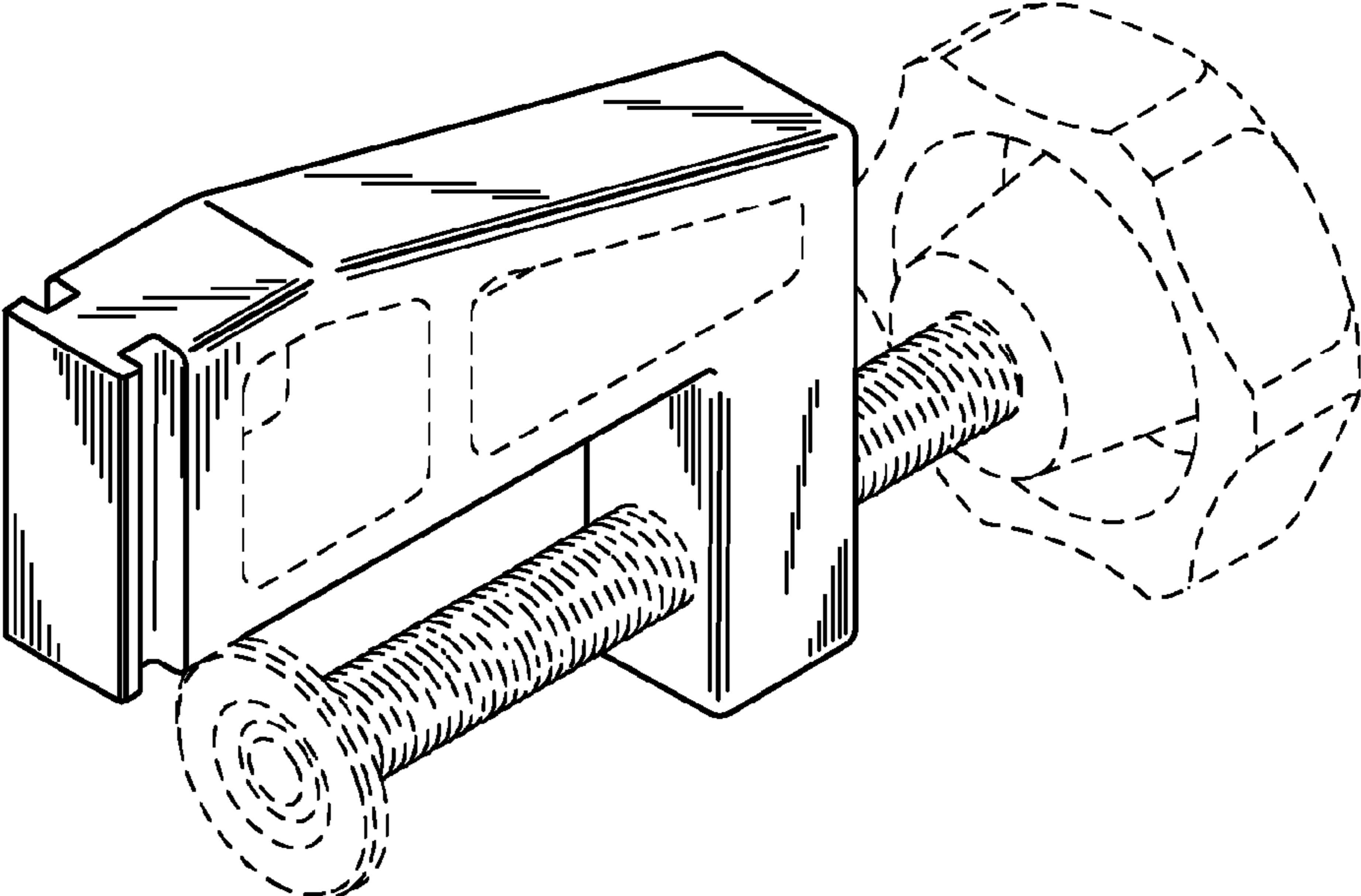


FIG. 1

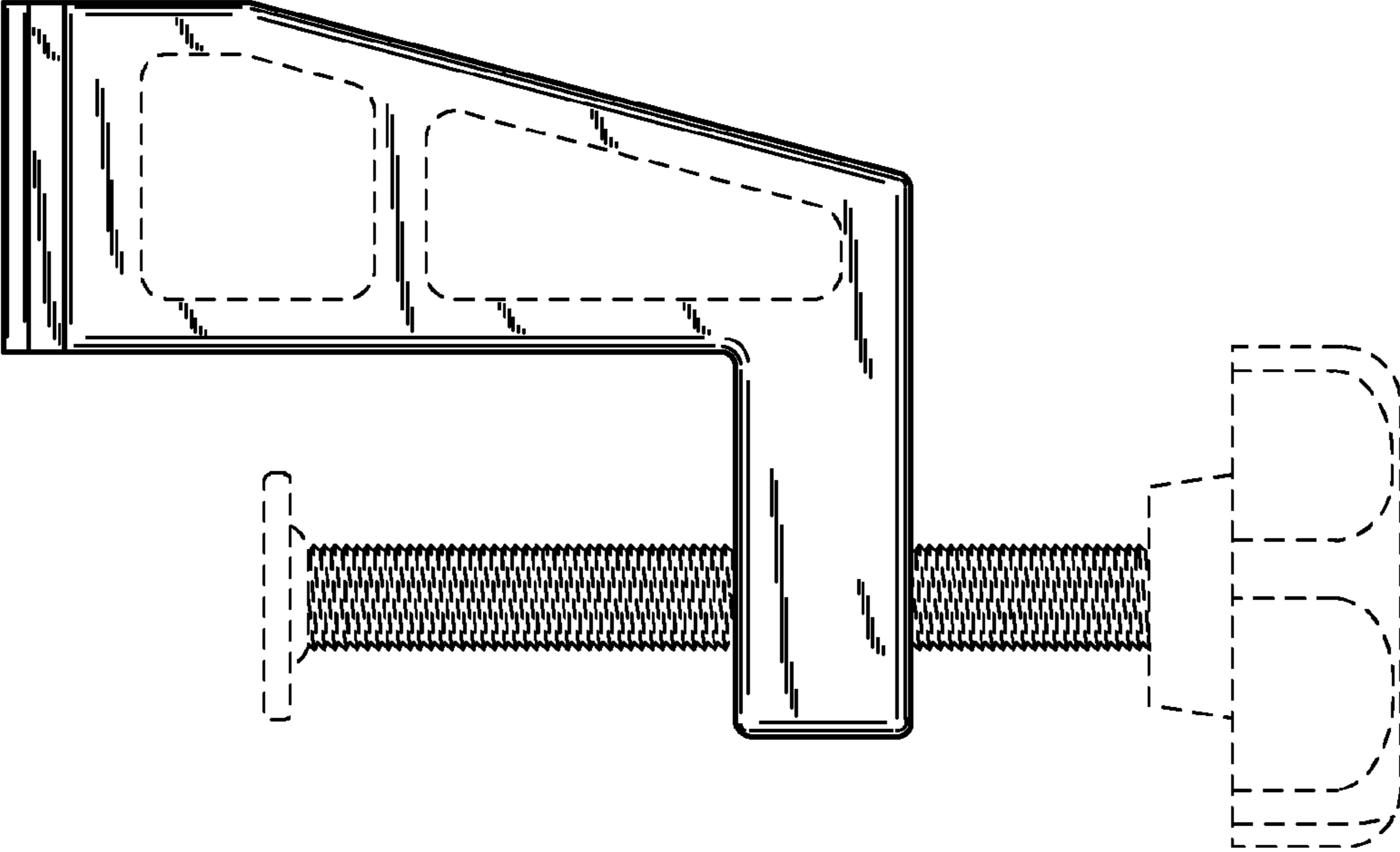


FIG. 2

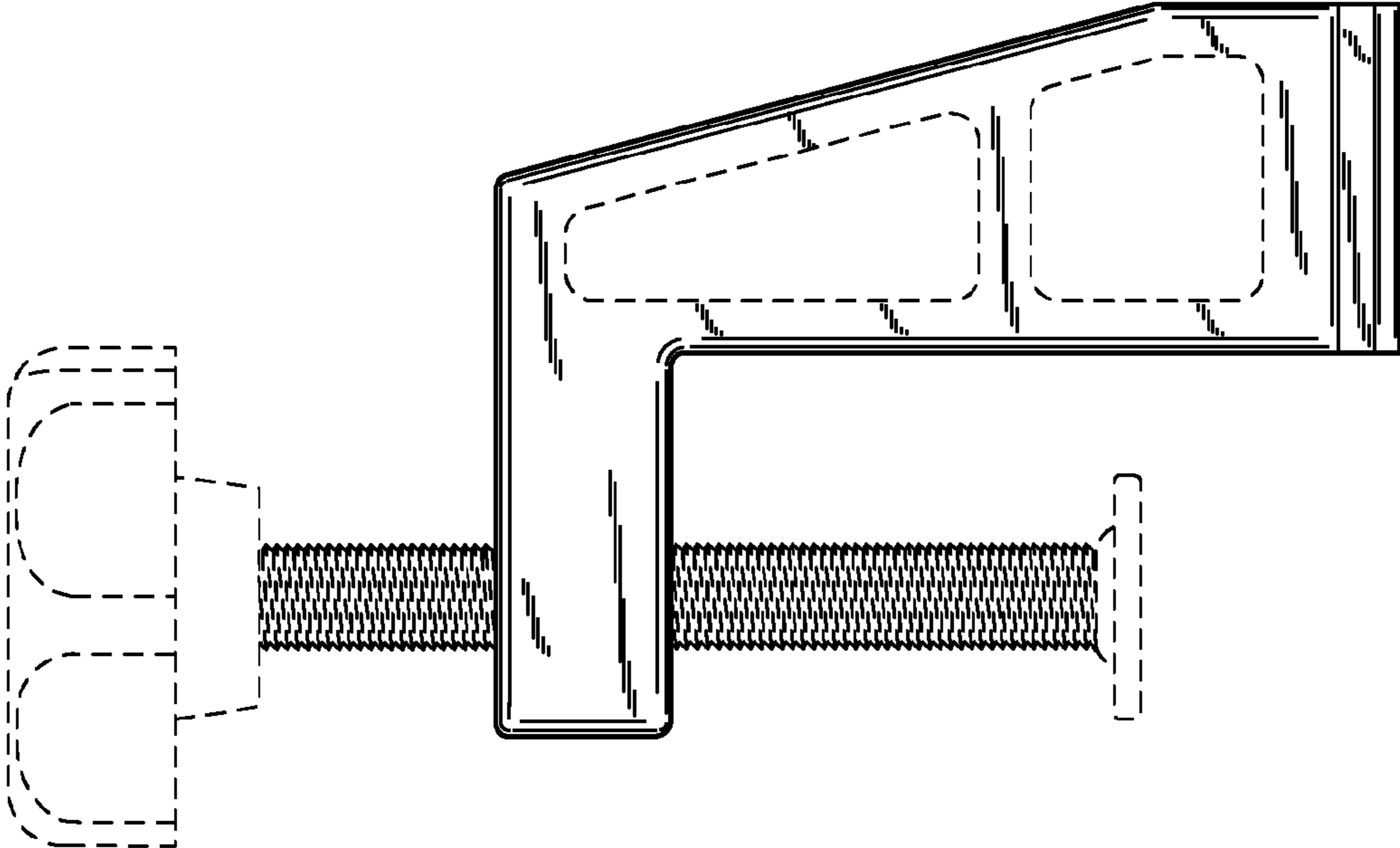


FIG. 3

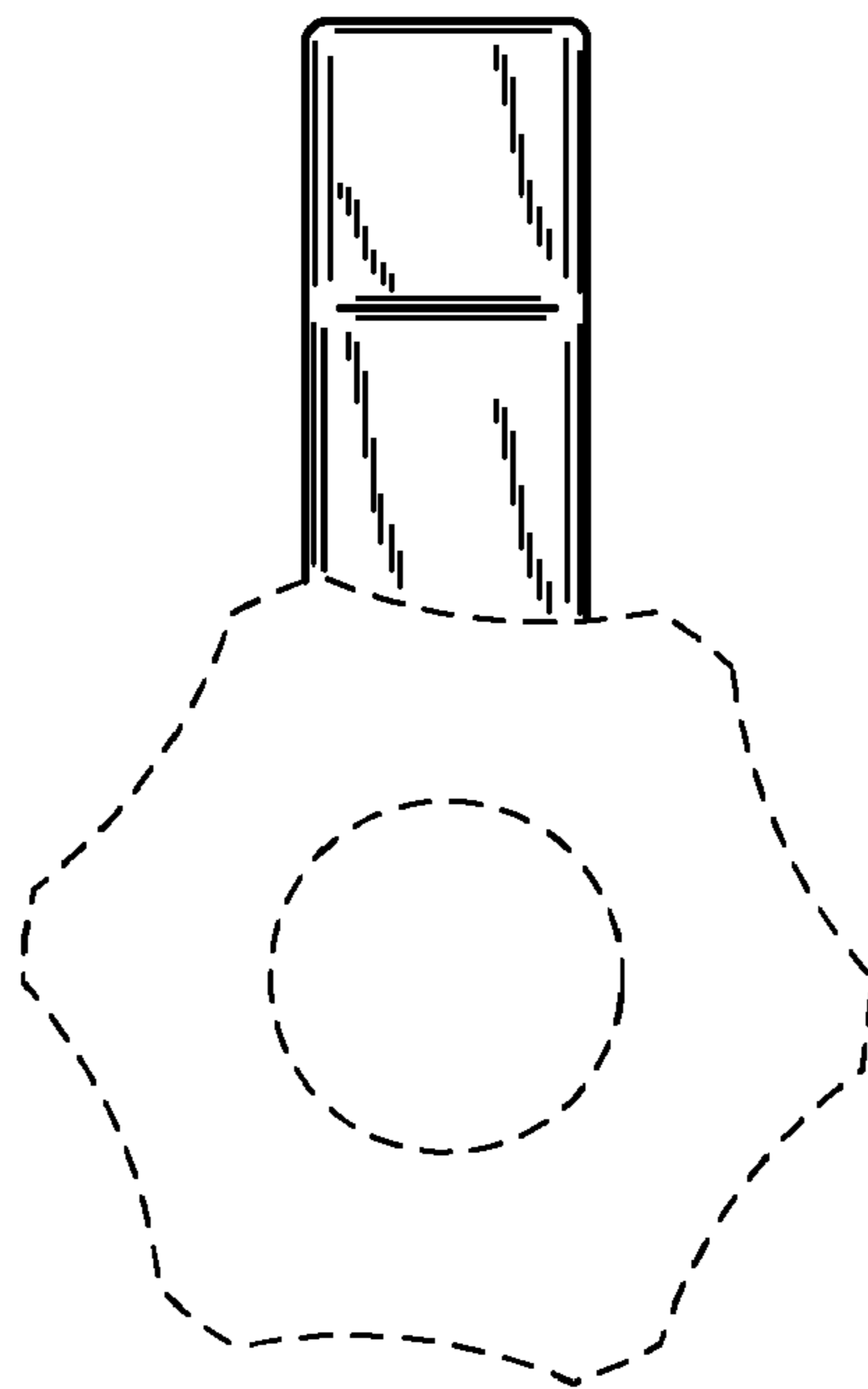


FIG. 4

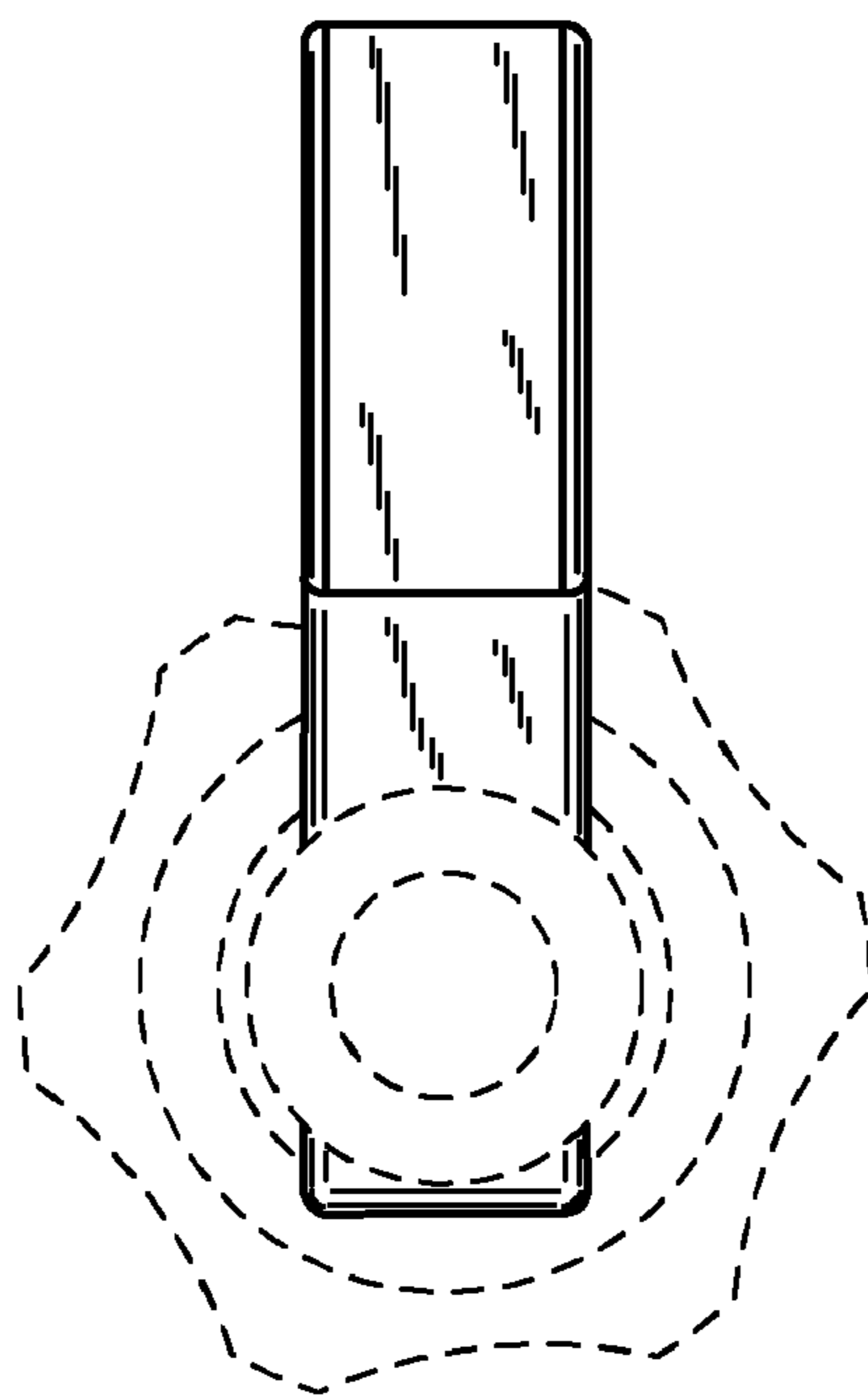


FIG. 5

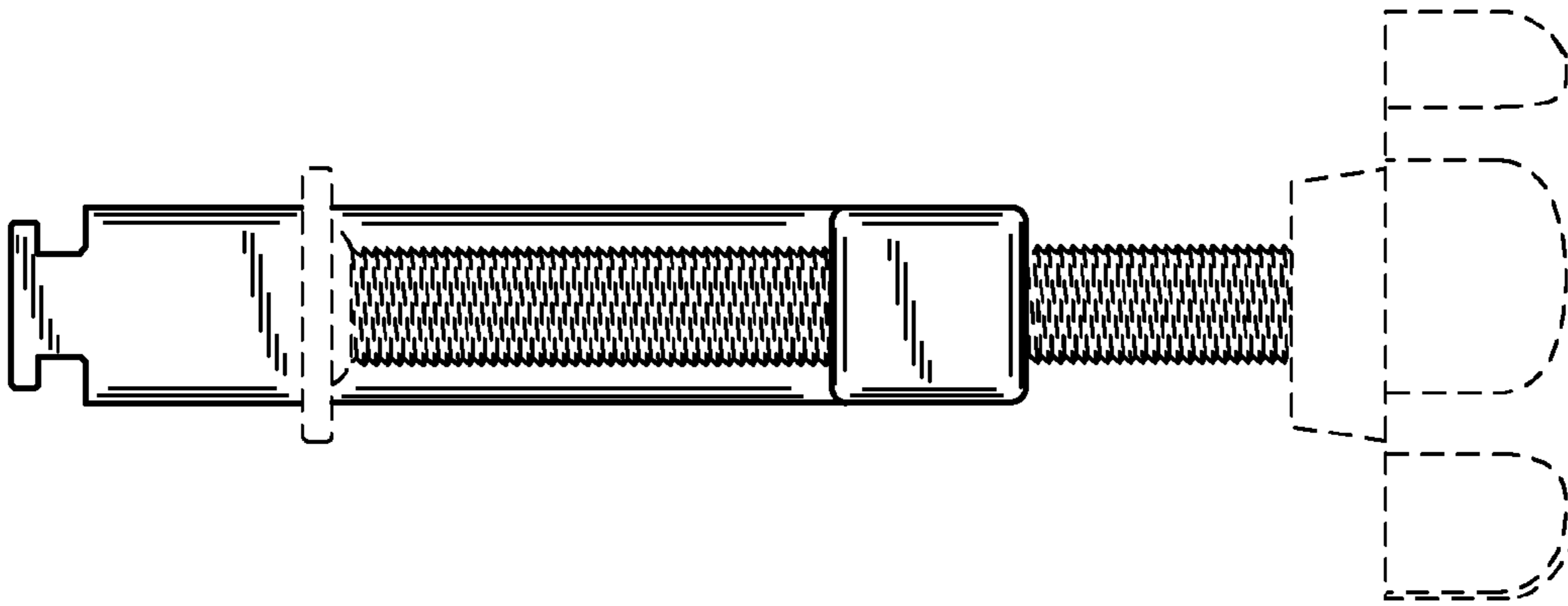


FIG. 6

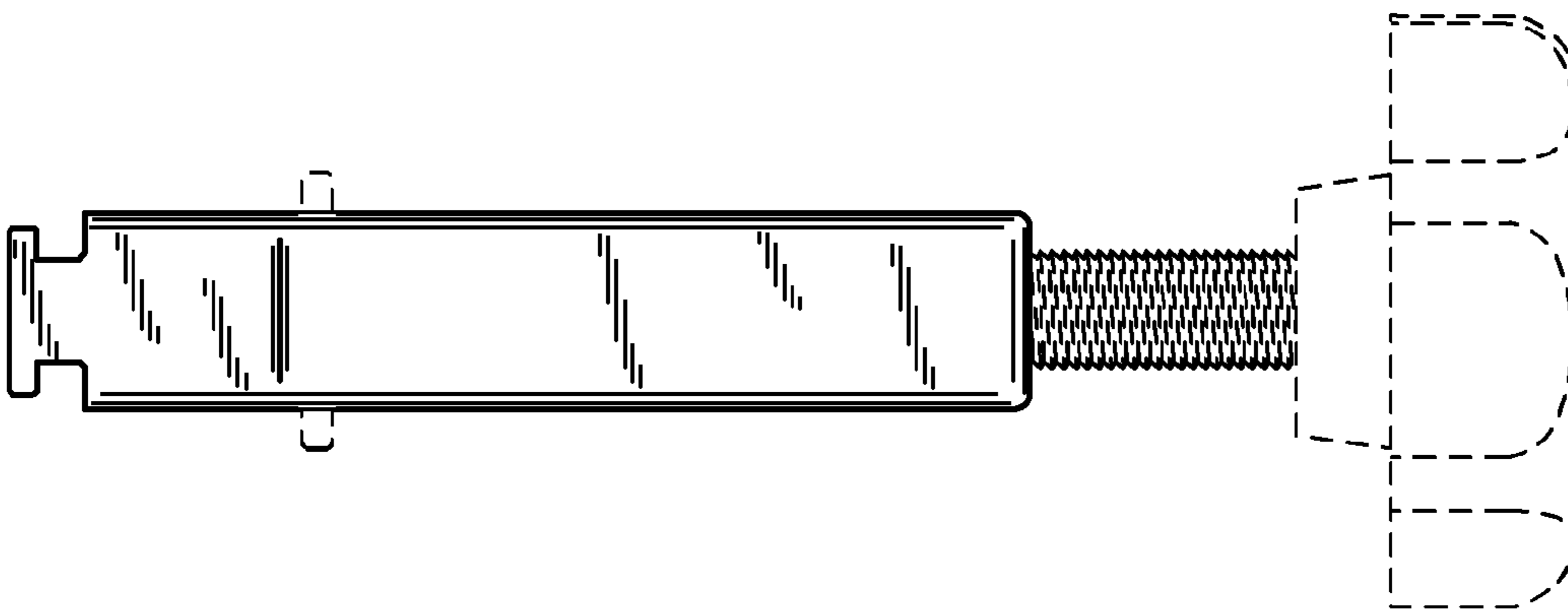


FIG. 7