



US00D653513S

(12) **United States Design Patent**
Tirone

(10) **Patent No.:** **US D653,513 S**

(45) **Date of Patent:** **** Feb. 7, 2012**

(54) **CIRCULAR SAW**

(75) Inventor: **James C. Tirone**, Baltimore, MD (US)

(73) Assignee: **Black & Decker Inc.**, Newark, DE (US)

(**) Term: **14 Years**

(21) Appl. No.: **29/392,219**

(22) Filed: **May 18, 2011**

(51) **LOC (9) Cl.** **08-03**

(52) **U.S. Cl.** **D8/66**

(58) **Field of Classification Search** D8/69,
D8/68, 67, 66, 64, 61, 70; 83/698.41, 747,
83/166.3, 374, 373, 375, 376, 391, 377, 390,
83/388, 389; 125/13.01; 144/218
See application file for complete search history.

(56) **References Cited**

U.S. PATENT DOCUMENTS

D501,776 S *	2/2005	Wu	D8/66
D502,373 S *	3/2005	Wu	D8/66
D503,878 S *	4/2005	Tillman et al.	D8/66
D520,319 S *	5/2006	Aglassinger	D8/66
D520,831 S *	5/2006	Okada et al.	D8/66
D525,503 S *	7/2006	Waldron	D8/66
D538,124 S *	3/2007	Yamamoto et al.	D8/66

D555,450 S *	11/2007	Van Wambeke	D8/66
D568,705 S *	5/2008	Lopano et al.	D8/66
D578,853 S *	10/2008	Gallagher et al.	D8/66
7,526,866 B2 *	5/2009	Schnell et al.	30/124
D632,940 S *	2/2011	Yamamoto et al.	D8/66
D638,681 S *	5/2011	Yamada et al.	D8/66

* cited by examiner

Primary Examiner — Austin Murphy

(74) *Attorney, Agent, or Firm* — Stephen R. Valancius

(57) **CLAIM**

The ornamental design for a circular saw, as shown and described.

DESCRIPTION

FIG. 1 is a perspective view of a circular saw according to the present invention;

FIG. 2 is a front view of the circular saw of FIG. 1;

FIG. 3 is a back view of the circular saw of FIG. 1;

FIG. 4 is a right side view of the circular saw of FIG. 1;

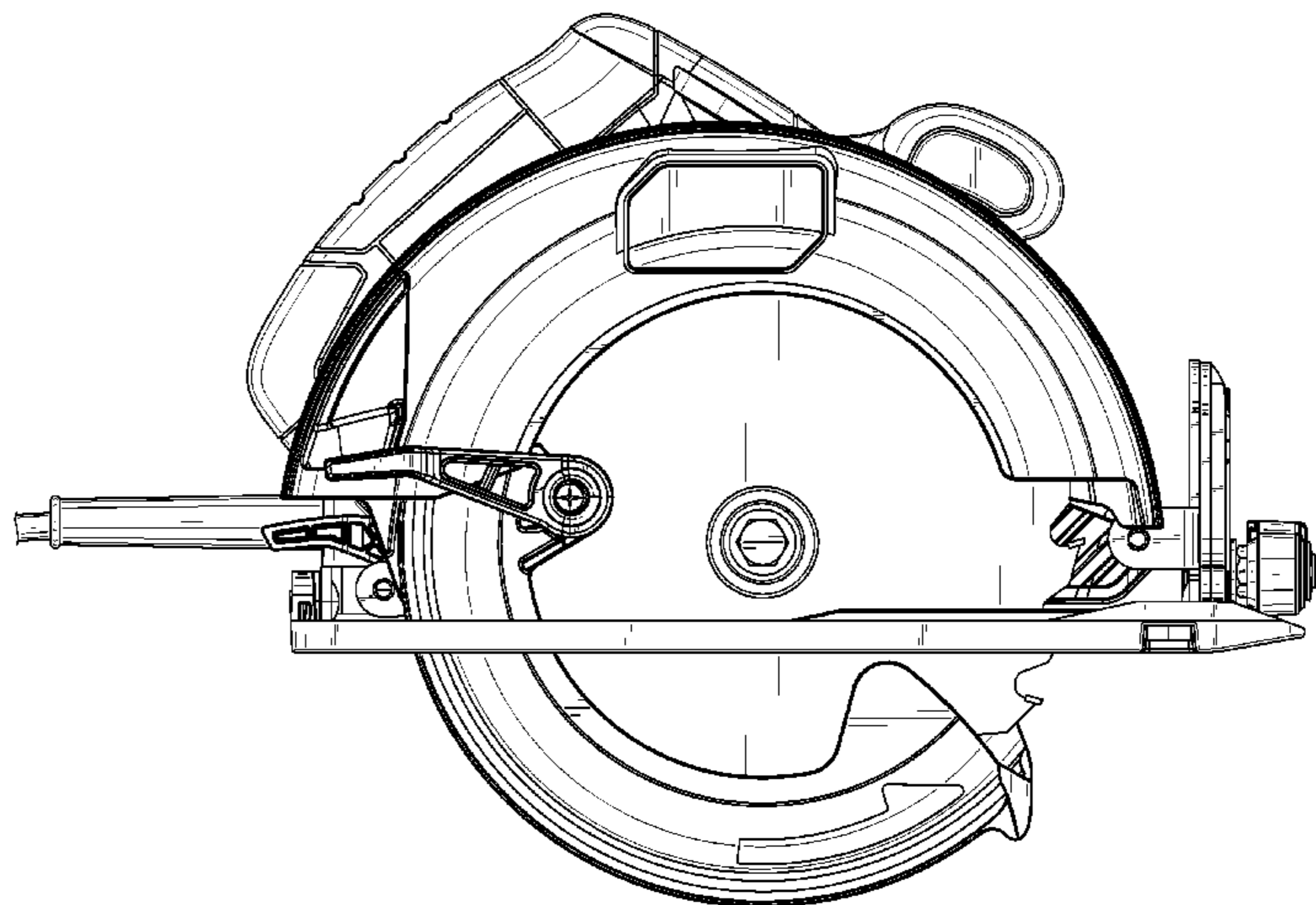
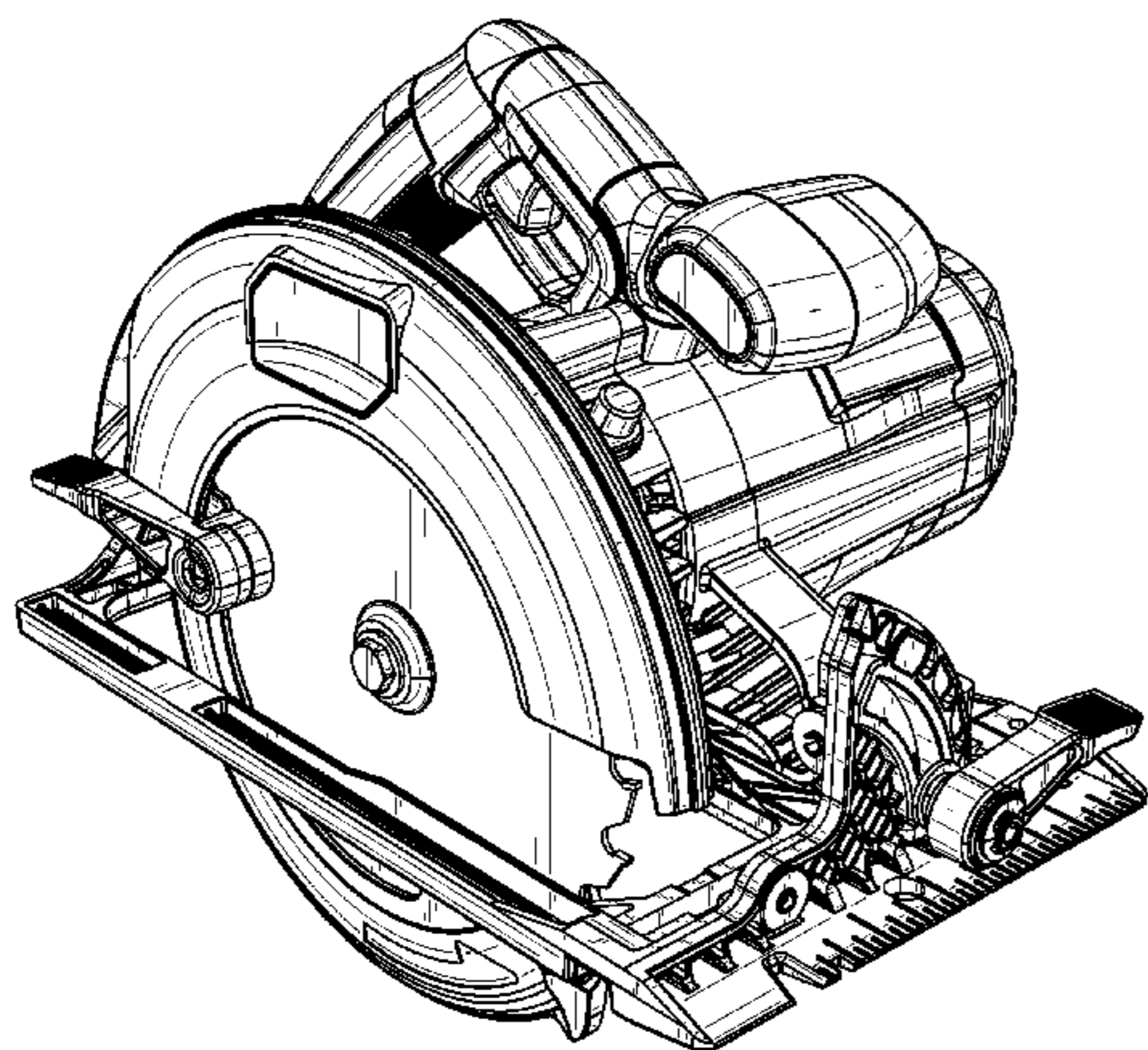
FIG. 5 is a left side view of the circular saw of FIG. 1;

FIG. 6 is a top view of the circular saw of FIG. 1; and,

FIG. 7 is a bottom view of the circular saw of FIG. 1.

The broken lines in the figures illustrate features that form no part of the claimed design.

1 Claim, 7 Drawing Sheets



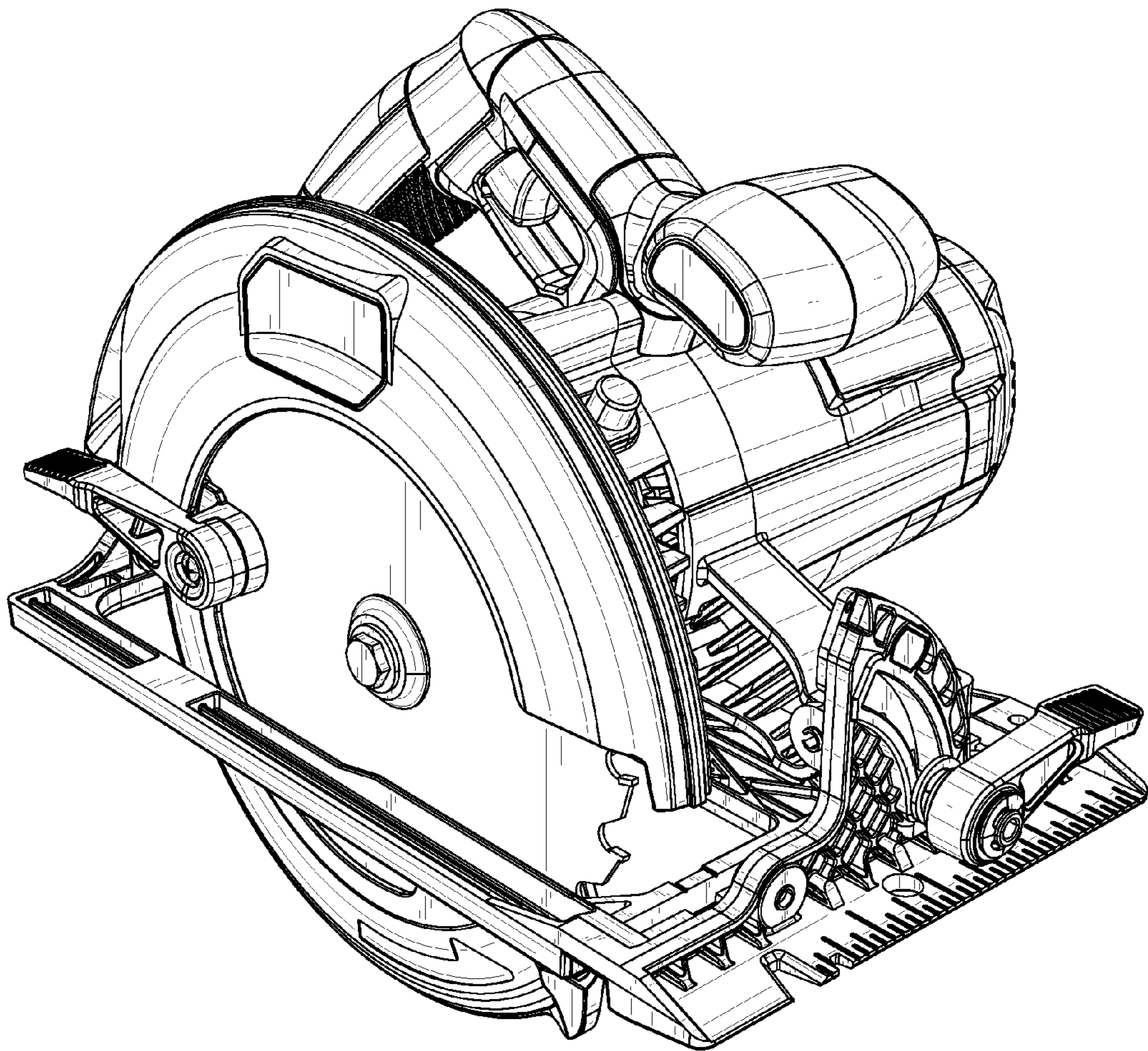


FIG. 1

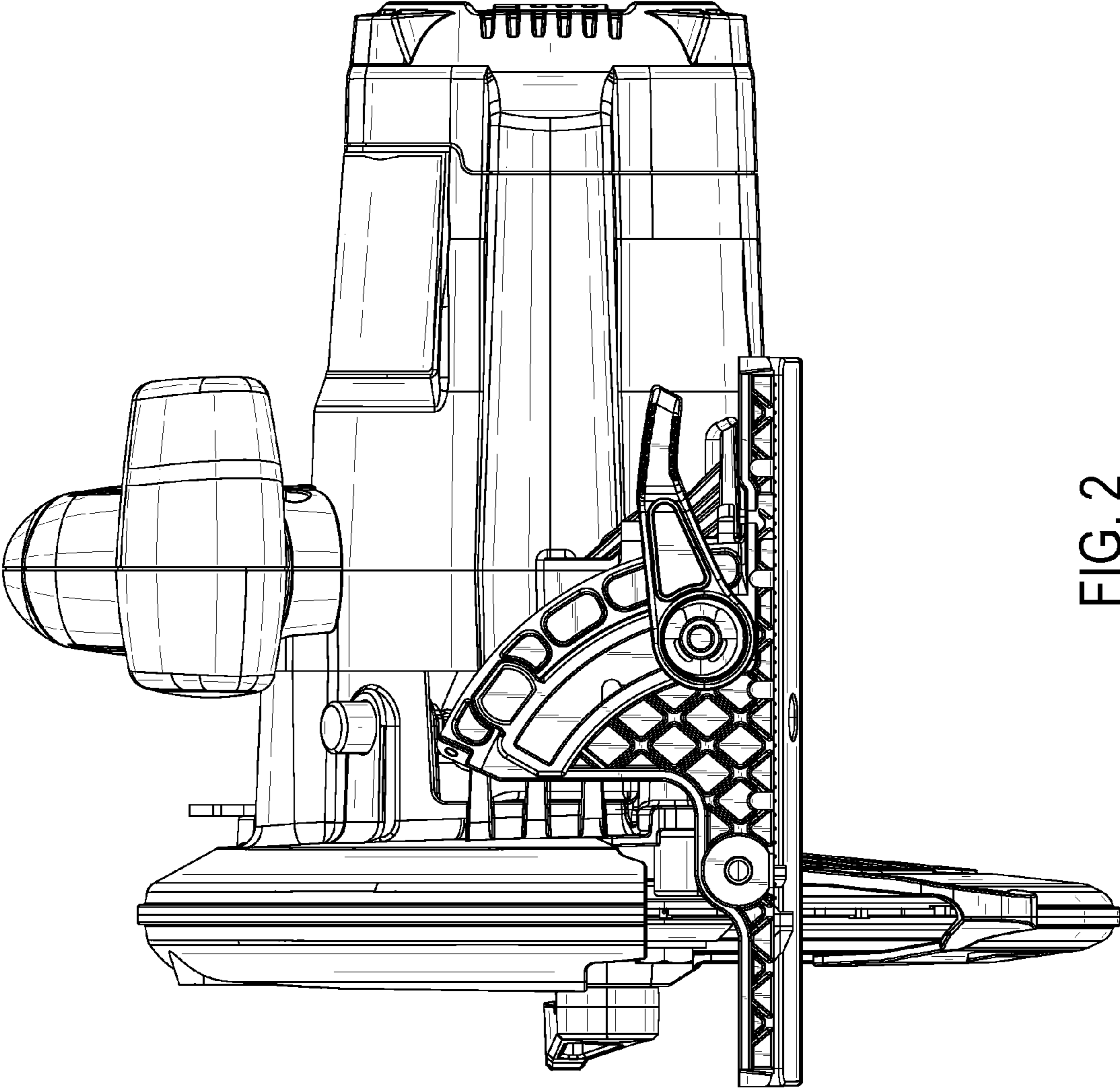


FIG. 2

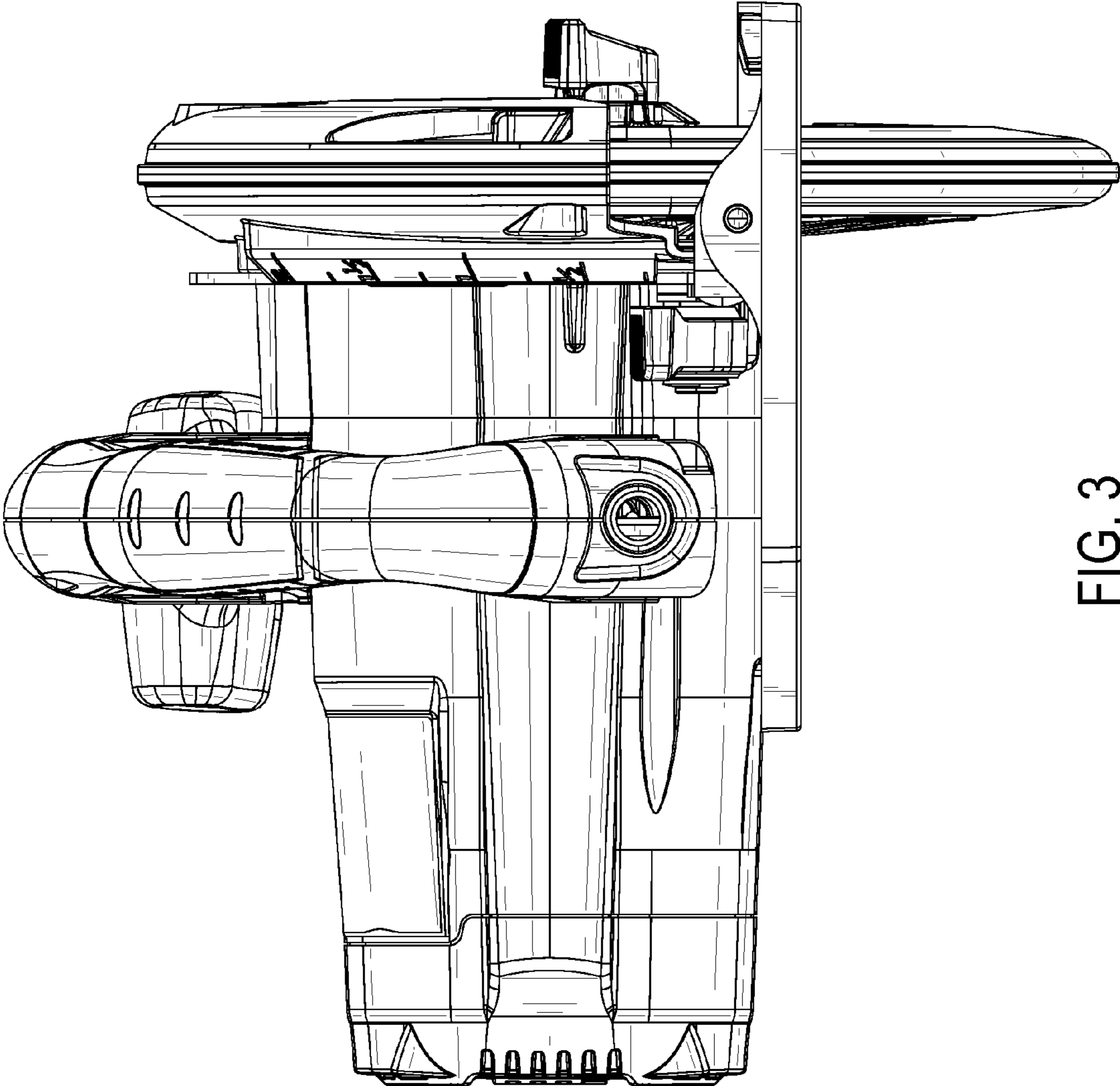


FIG. 3

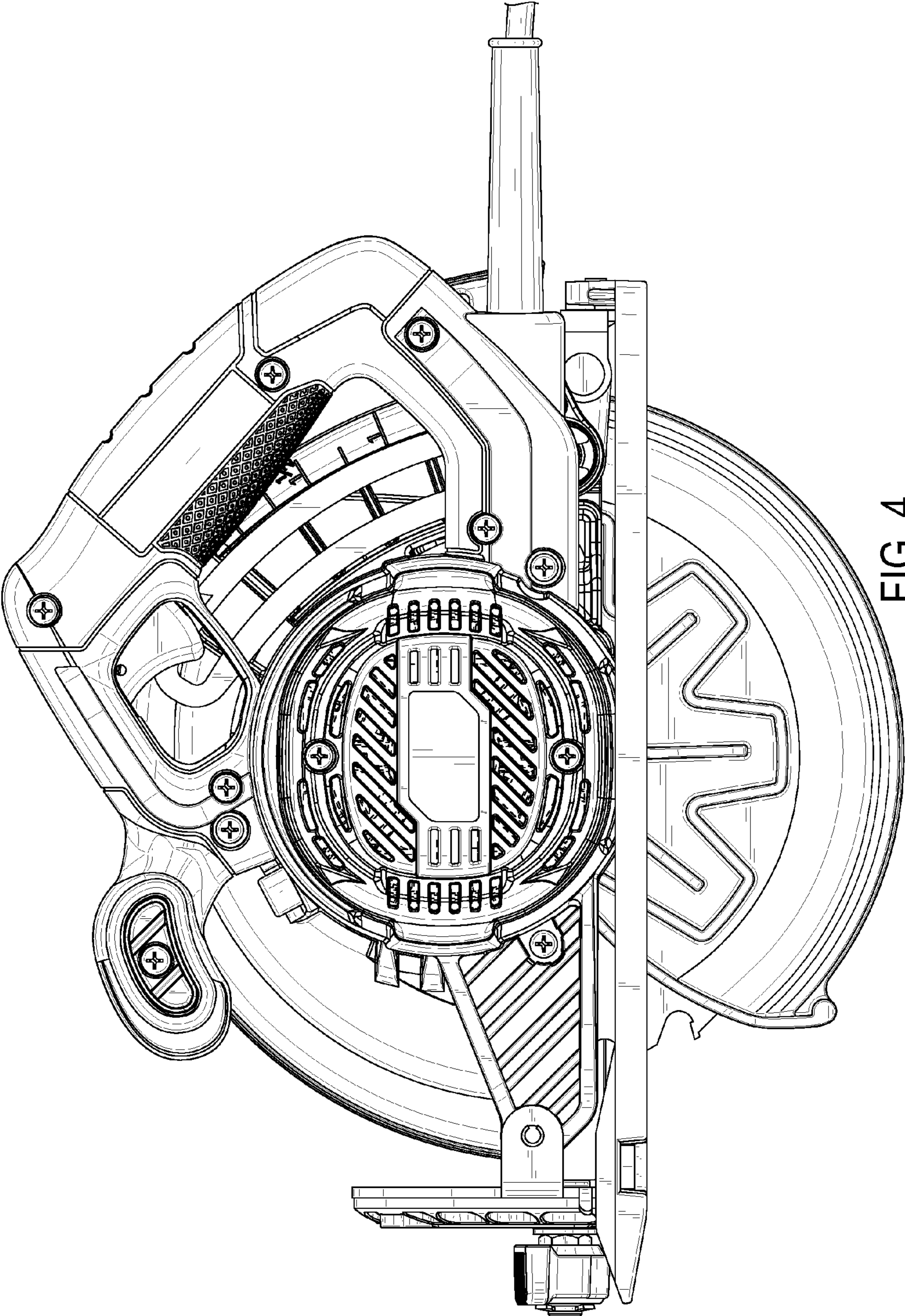


FIG. 4

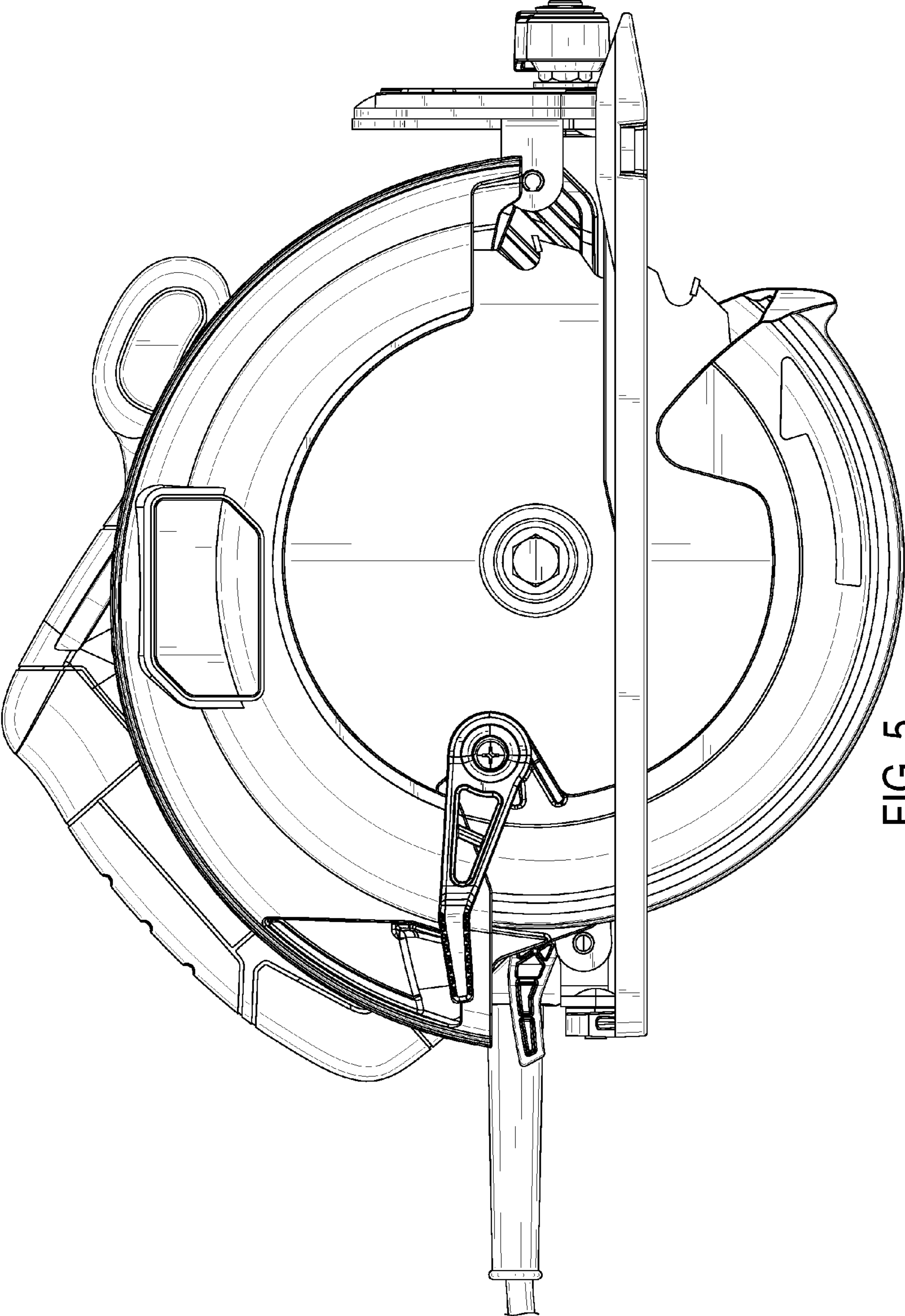


FIG. 5

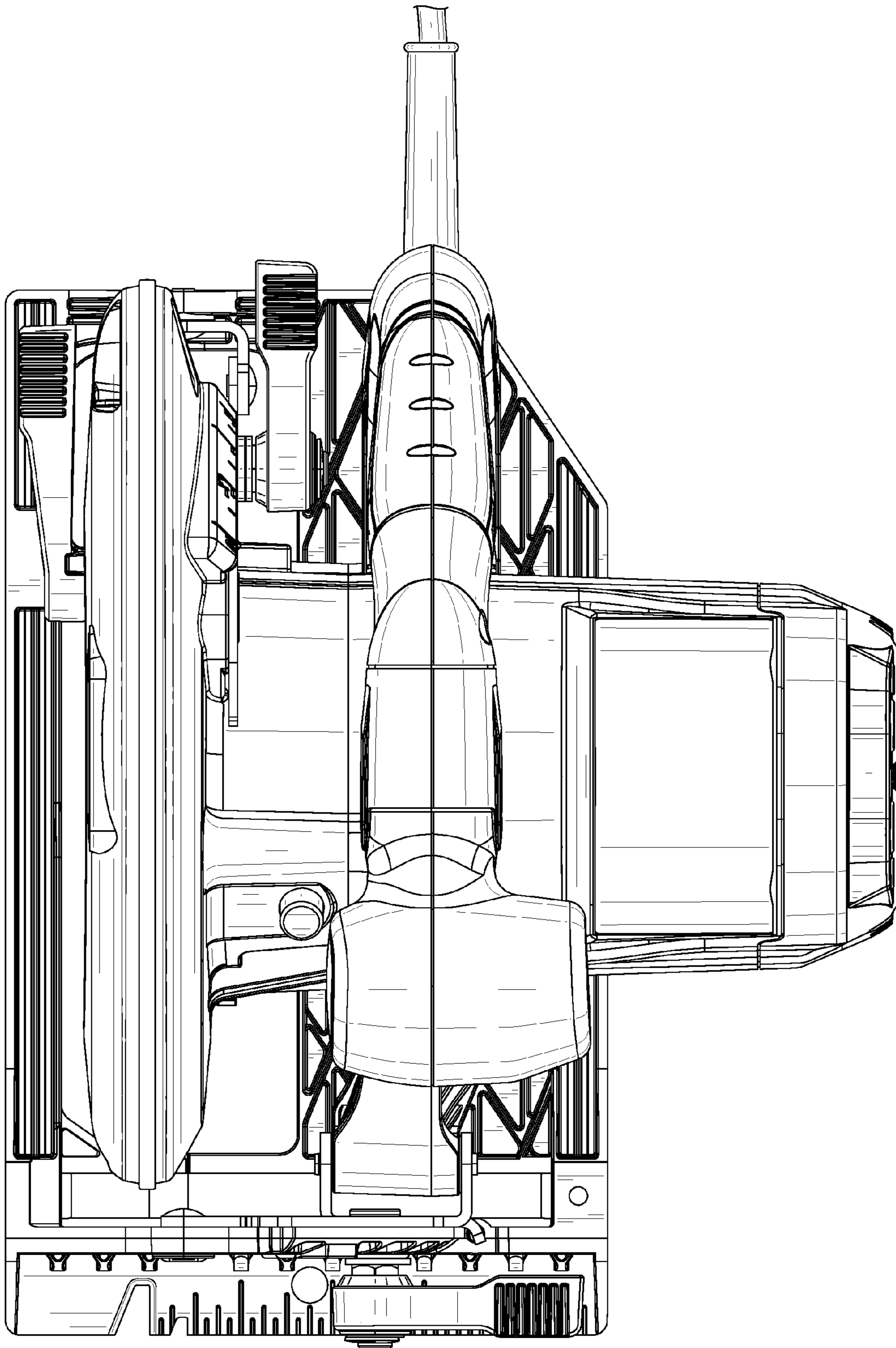


FIG. 6

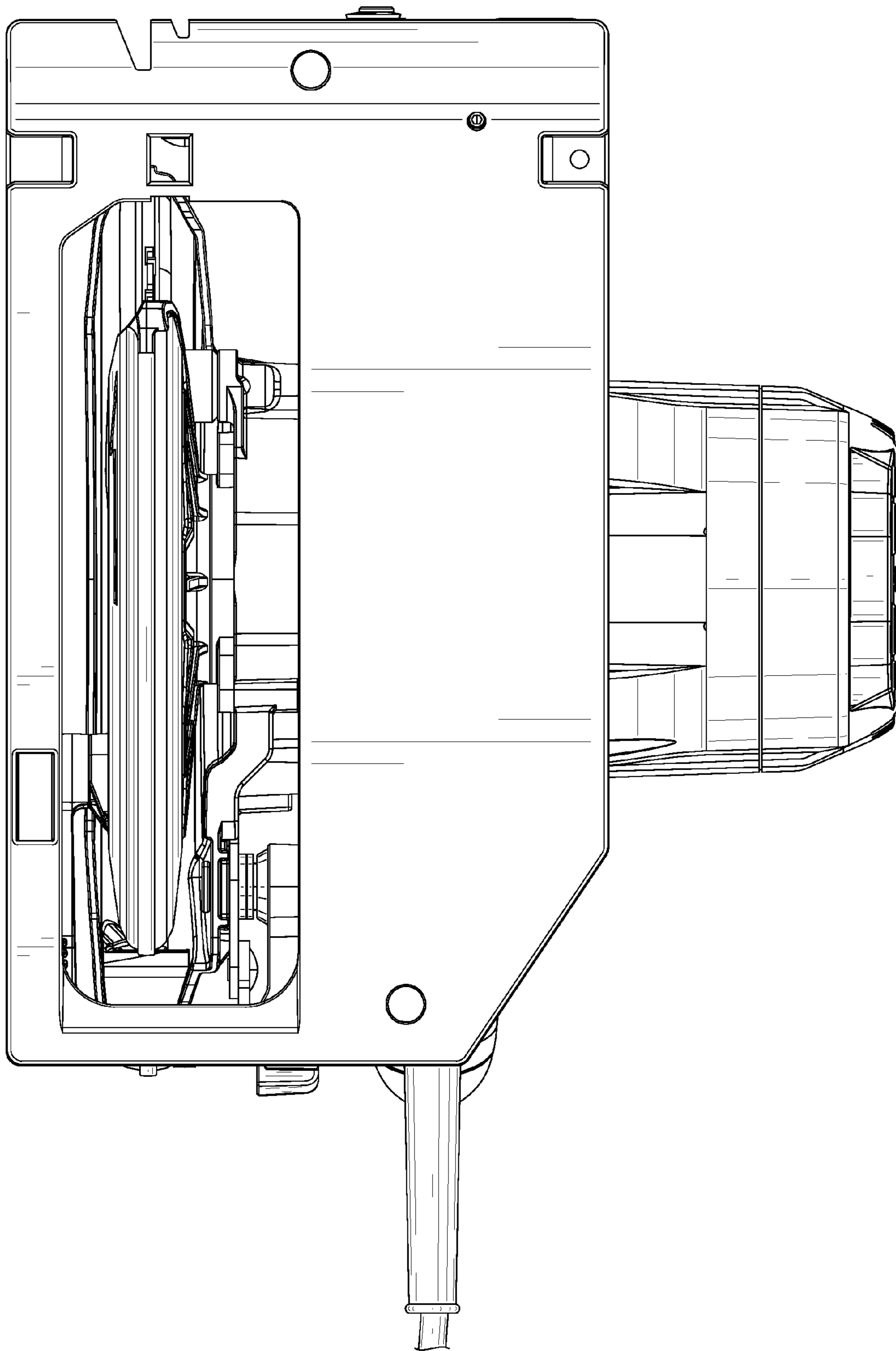


FIG. 7