



US00D653512S

(12) **United States Design Patent**
Frazier et al.

(10) **Patent No.:** **US D653,512 S**

(45) **Date of Patent:** **** Feb. 7, 2012**

(54) **BOTTLE OPENER**

(75) Inventors: **Joshua Frazier**, San Francisco, CA (US); **George Revel**, San Francisco, CA (US); **Burke White**, San Anselmo, CA (US)

(73) Assignee: **Leland Fly Fishing Outfitters, LLC**, San Francisco, CA (US)

(**) Term: **14 Years**

(21) Appl. No.: **29/388,839**

(22) Filed: **Apr. 1, 2011**

(51) **LOC (9) Cl.** **07-99**

(52) **U.S. Cl.** **D8/40**

(58) **Field of Classification Search** D8/14, D8/16-19, 33-43, 88, 89, 105; 7/113, 151-156; 30/400-410, 416-430, 433, 434, 443, 450; 81/3.07, 3.09, 3.2, 3.27, 3.29, 3.31, 3.35, 81/3.37, 3.4, 3.45, 3.48, 3.49, 3.55

See application file for complete search history.

(56) **References Cited**

U.S. PATENT DOCUMENTS

D208,399 S * 8/1967 Ferry D8/14
D231,313 S * 4/1974 Heelan D8/38
4,433,597 A * 2/1984 Rowland 81/3.09

D281,572 S * 12/1985 Gabriel et al. D8/40
D383,045 S * 9/1997 Turso D8/38
D538,464 S * 3/2007 Chen D8/34
D558,010 S * 12/2007 Uglum D8/40
D644,075 S * 8/2011 Barnett D8/18

* cited by examiner

Primary Examiner — Garth Rademaker

(74) *Attorney, Agent, or Firm* — Scott E. Kamholz; Foley Hoag LLP

(57) **CLAIM**

The ornamental design for a bottle opener, as shown and described.

DESCRIPTION

FIG. 1 is a perspective view showing the design for a bottle opener;

FIG. 2 is a perspective view showing the design;

FIG. 3 is a perspective view showing the design;

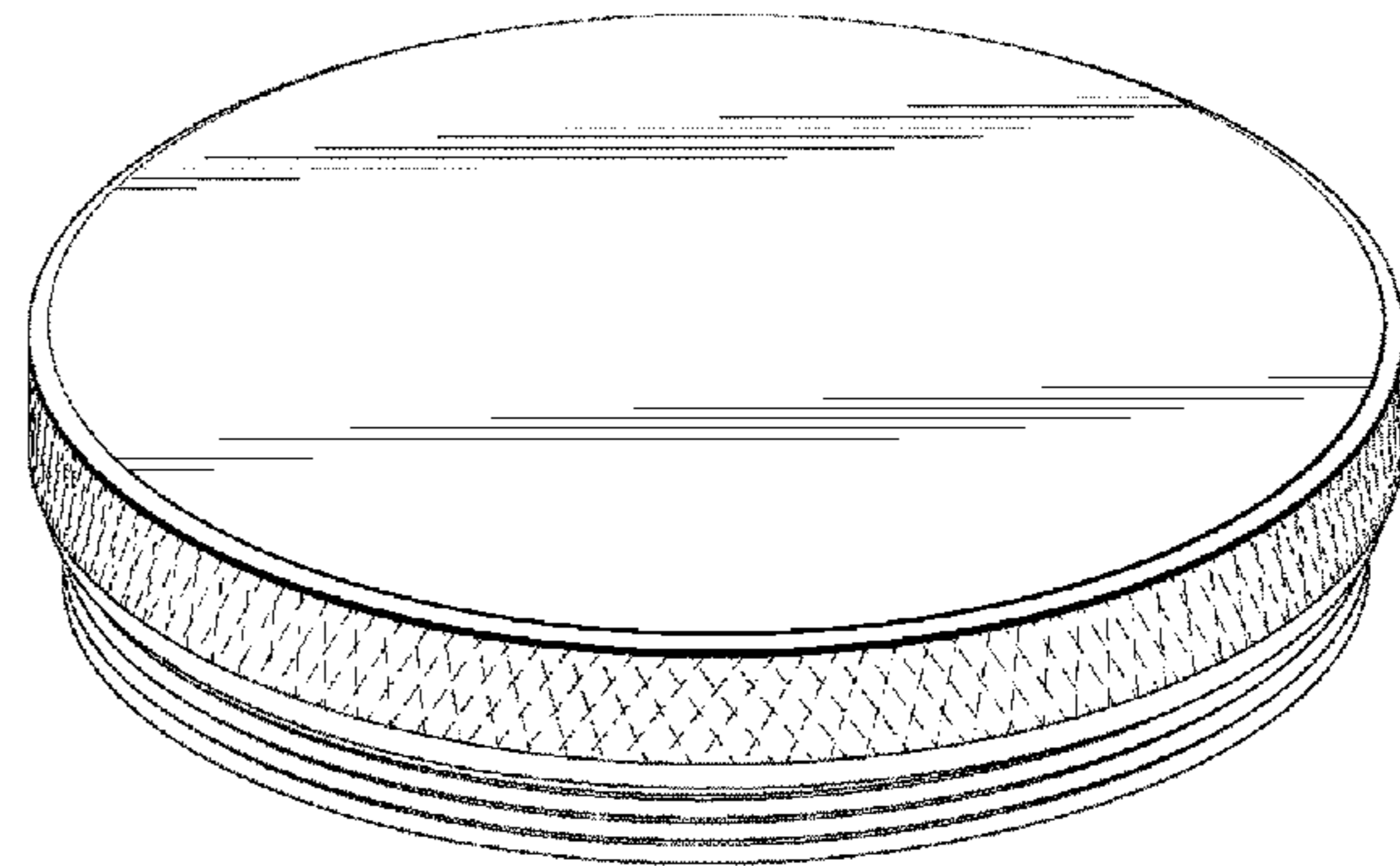
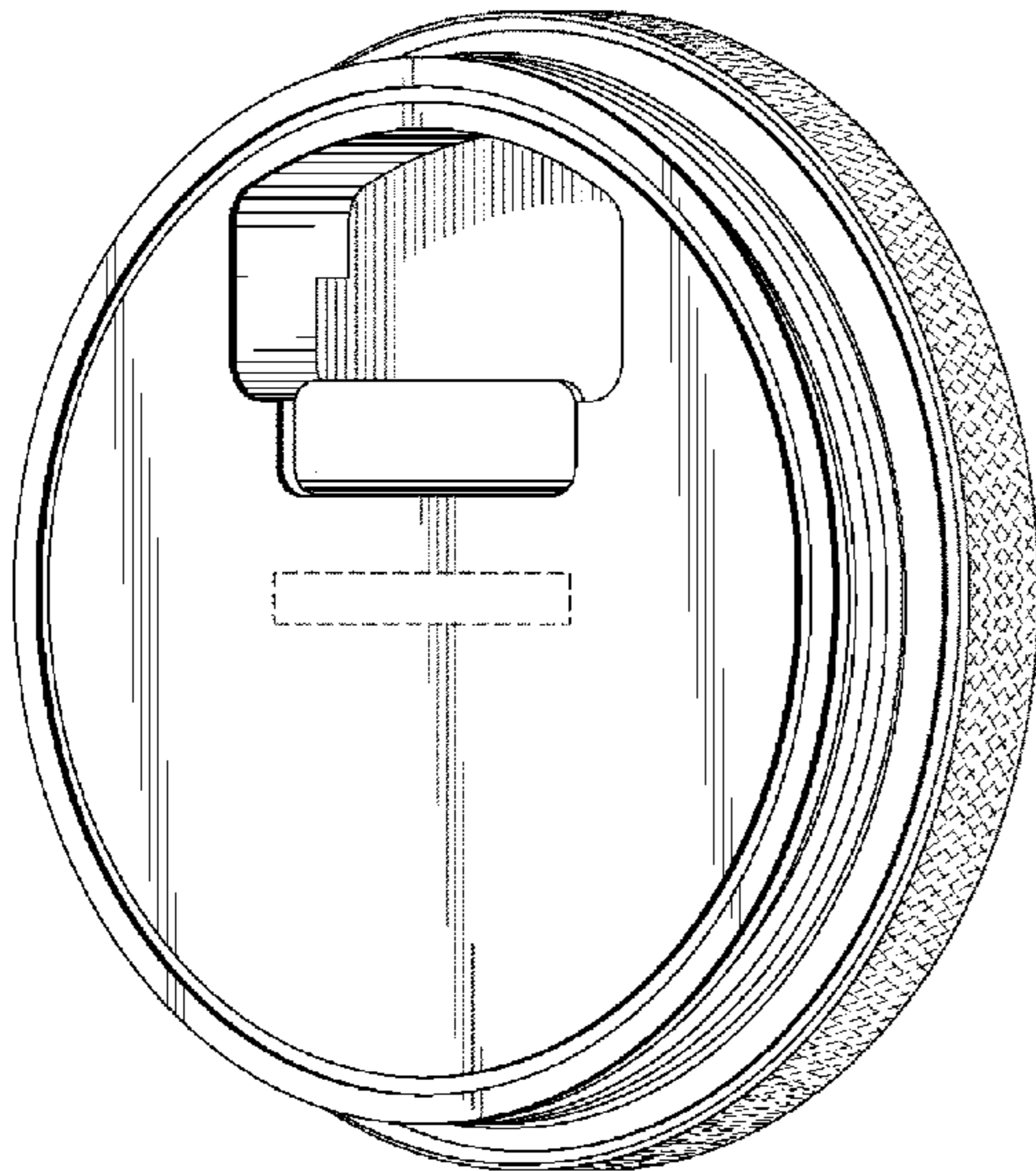
FIG. 4 is a front elevation view showing the design, the left side, right side, and back elevation views being substantially identical thereto, the sole difference being the positioning of the threading around the bottom edge.

FIG. 5 is a bottom plan view showing the design; and,

FIG. 6 is a top plan view showing the design.

The broken lines depict environmental subject matter only and do not form part of the claimed design.

1 Claim, 2 Drawing Sheets



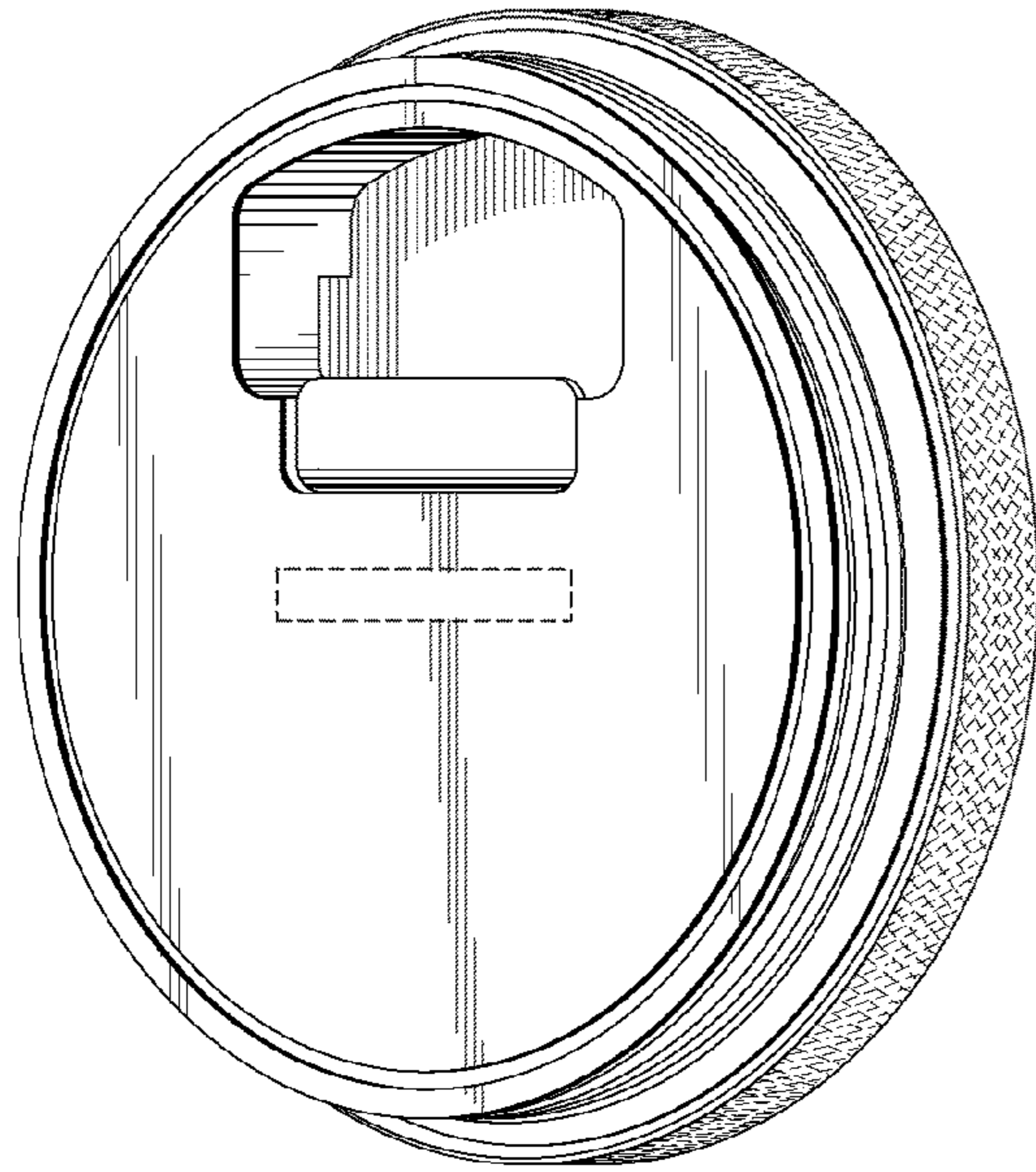


Fig. 1

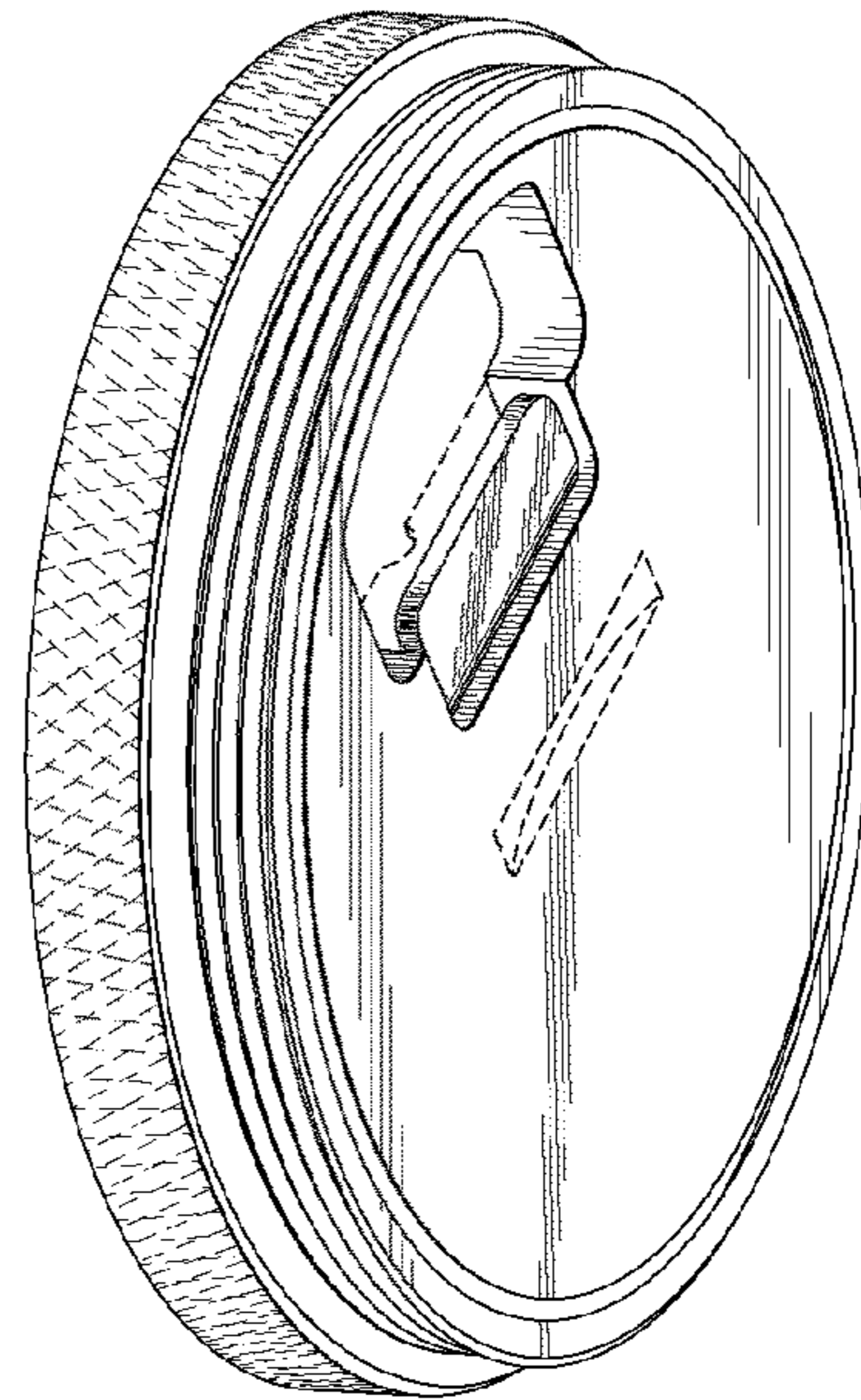


Fig. 2

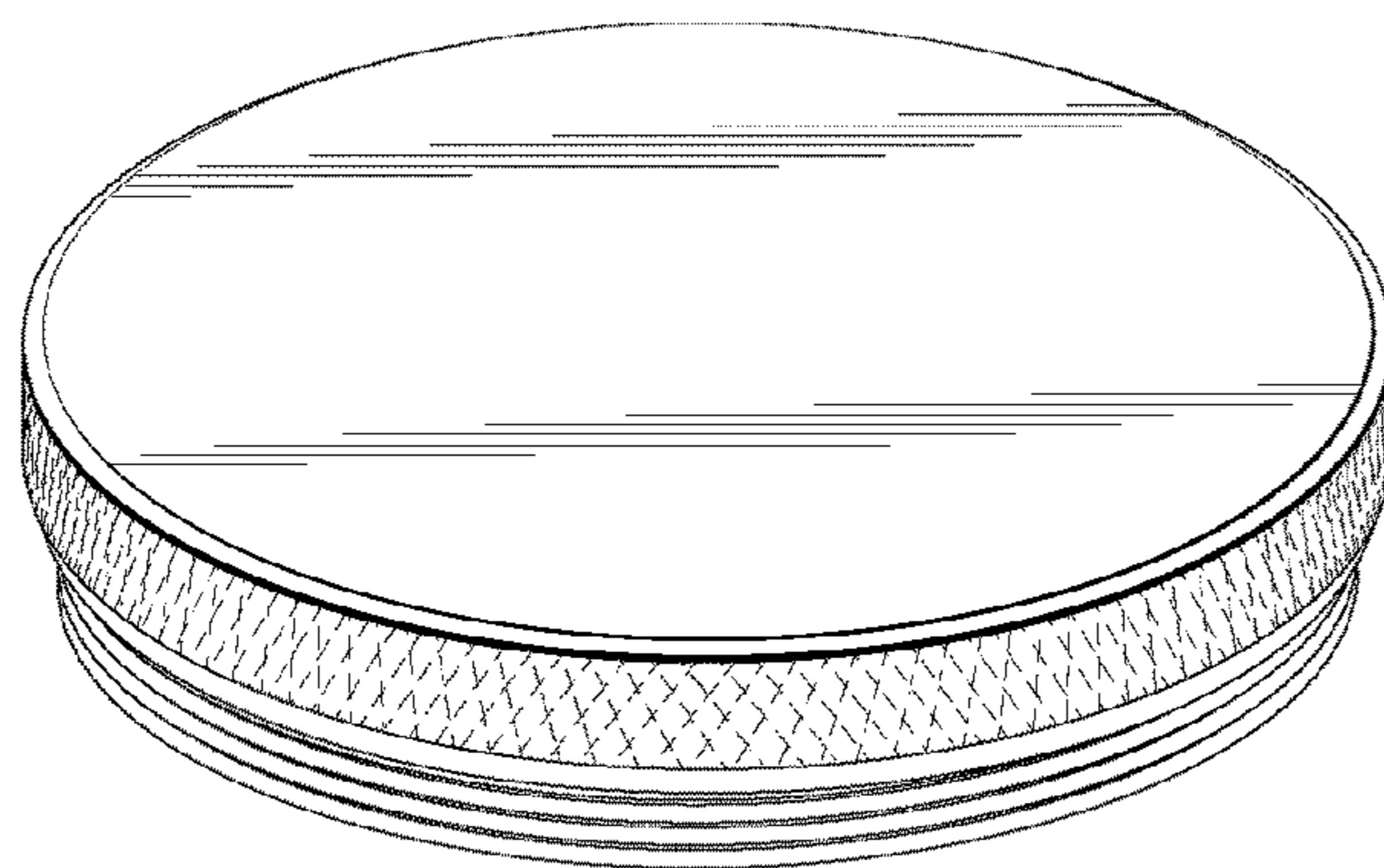


Fig. 3

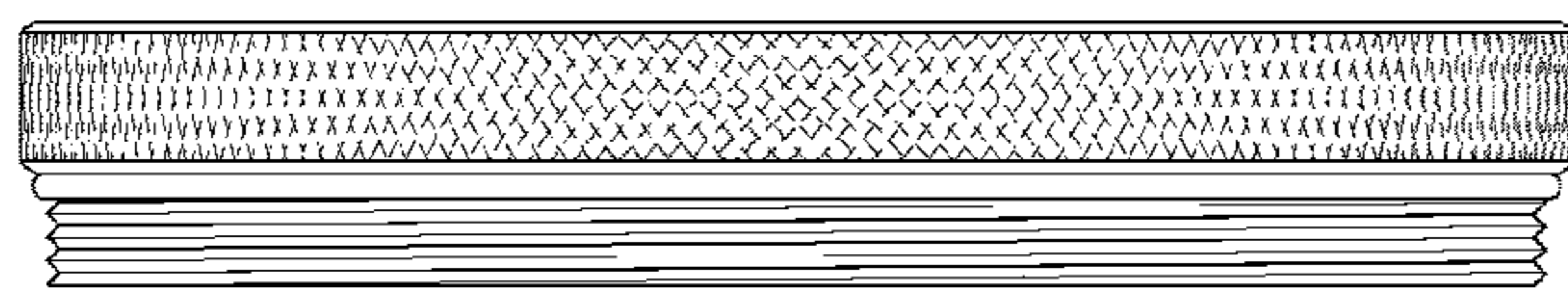


Fig. 4

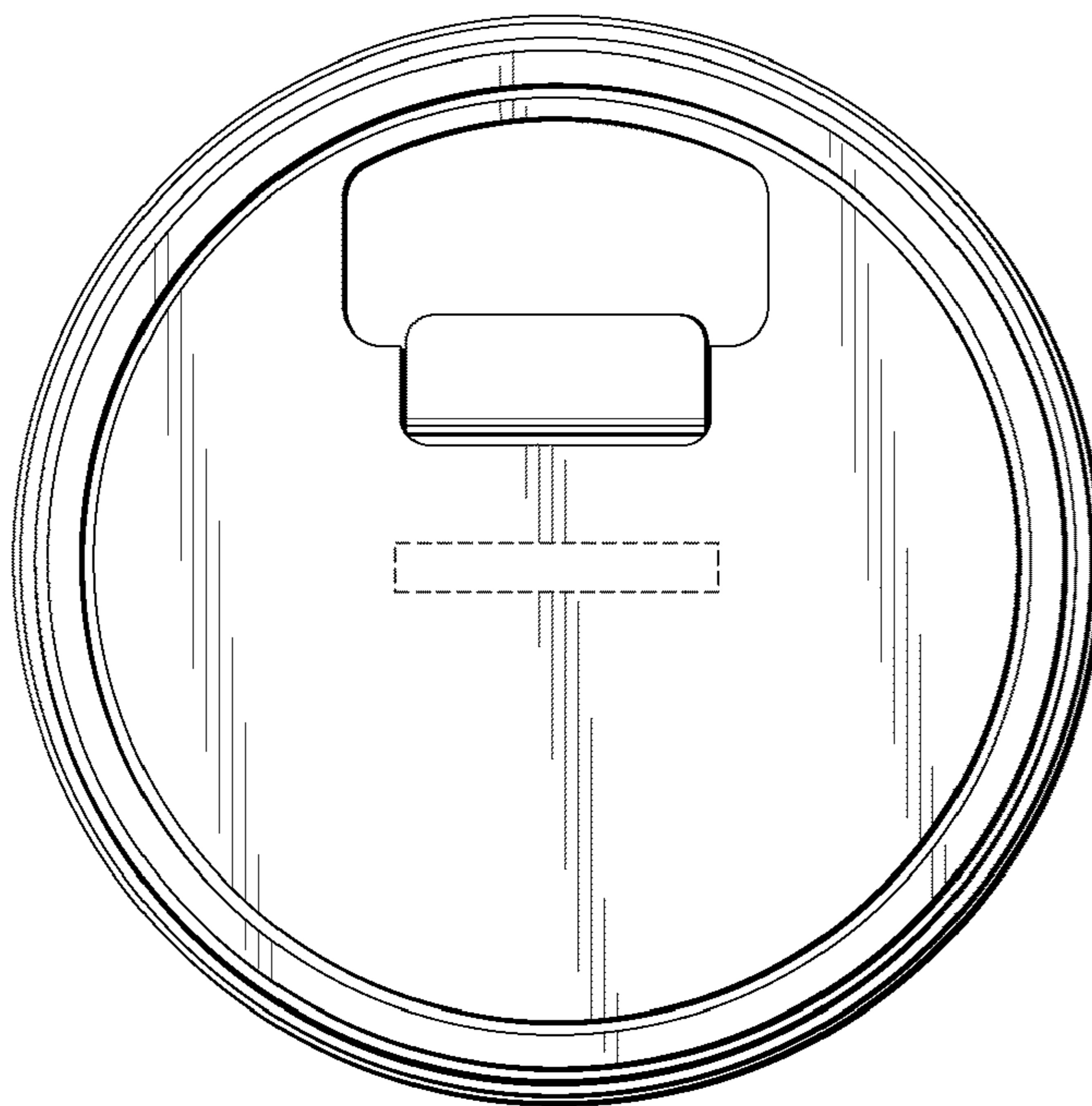


Fig. 5

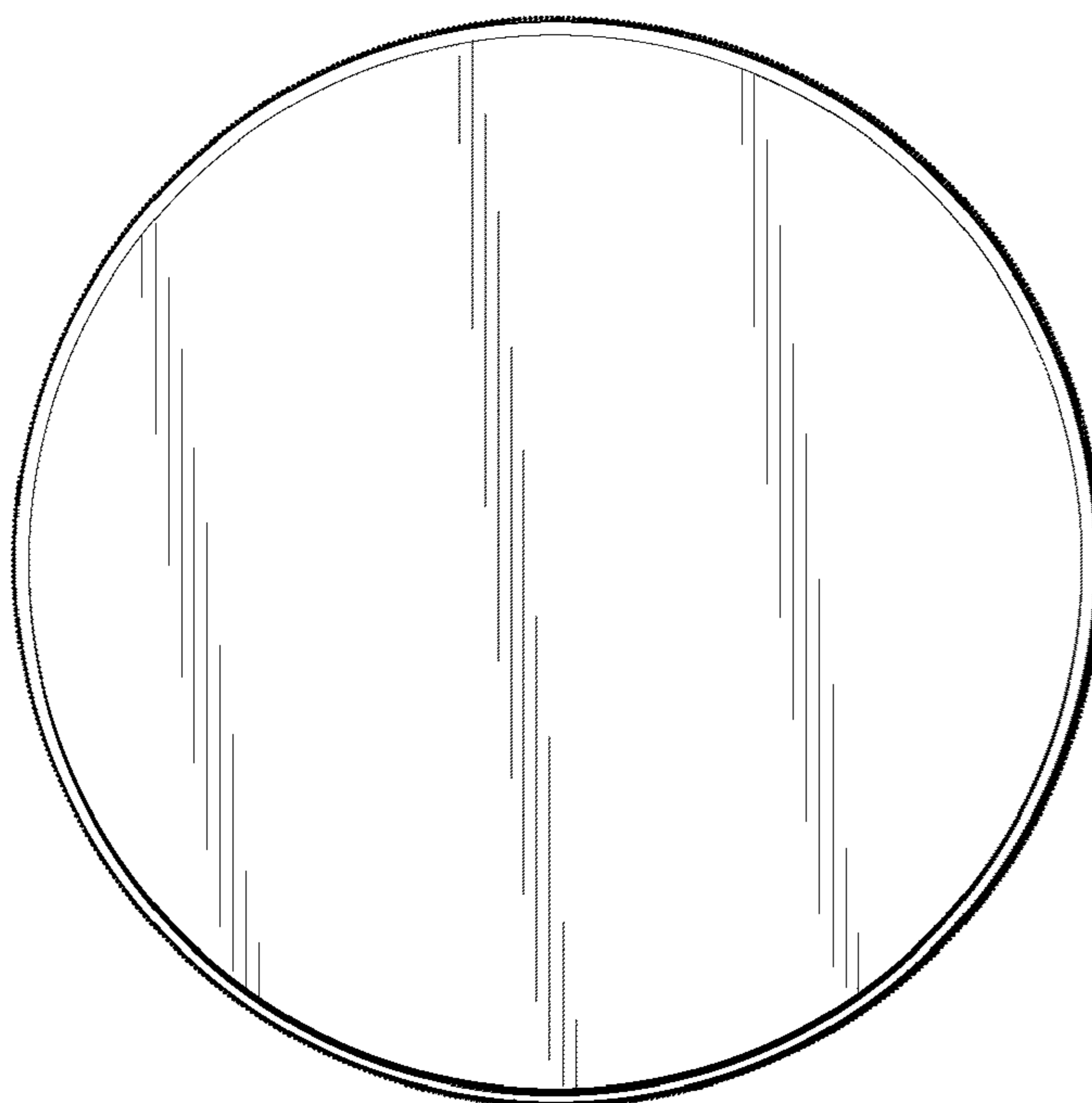


Fig. 6