



US00D653511S

(12) **United States Design Patent**  
**Herman et al.**

(10) **Patent No.:** **US D653,511 S**

(45) **Date of Patent:** **\*\* Feb. 7, 2012**

(54) **DISPENSING TOOL**

(75) Inventors: **Timm Herman**, Ellicotville, NY (US);  
**Kevin Whited**, Ellicotville, NY (US)

(73) Assignee: **Meritool, LLC**, Ellicotville, NY (US)

(\*\*) Term: **14 Years**

(21) Appl. No.: **29/389,639**

(22) Filed: **Apr. 14, 2011**

**Related U.S. Application Data**

(63) Continuation of application No. 11/973,242, filed on Oct. 5, 2007.

(51) **LOC (9) Cl.** ..... **08-05**

(52) **U.S. Cl.** ..... **D8/14.1**

(58) **Field of Classification Search** ..... D8/14.1;  
222/92, 105, 145.1, 160, 325-327, 386, 391,  
222/567, 333, 390, 405, 1, 145.6, 541.3,  
222/95; 156/197, 204, 267, 308.4; 403/259,  
403/256, 321, 322.1; 451/64

See application file for complete search history.

(56) **References Cited**

**U.S. PATENT DOCUMENTS**

3,750,905	A	8/1973	Wolfrom
4,260,076	A	4/1981	Bergman
4,583,934	A	4/1986	Hata et al.
4,669,636	A	6/1987	Miyata
5,076,473	A	12/1991	Steiner
5,211,312	A	5/1993	Chang
5,244,406	A	9/1993	Vranish
5,370,271	A	12/1994	Segatz
5,375,740	A	12/1994	Umetsu et al.
5,450,988	A	9/1995	Jerdee
5,494,368	A	2/1996	Matthews
5,556,009	A	9/1996	Motzko
5,775,539	A	7/1998	Bates et al.
5,873,970	A	2/1999	Konuma et al.
5,887,765	A	3/1999	Broesamle
5,909,830	A	6/1999	Bates et al.
6,286,729	B1	9/2001	Lin
6,745,921	B2	6/2004	Beckett
6,752,293	B2	6/2004	So

6,889,872	B2	5/2005	Herman et al.
6,926,177	B1	8/2005	Scott et al.
7,063,240	B1	6/2006	Niswonger
2002/0036214	A1*	3/2002	Rousselet et al. .... 222/391
2002/0117016	A1	8/2002	Beckett
2005/0051571	A1	3/2005	Carruth et al.
2008/0083845	A1	4/2008	Lind et al.
2009/0302055	A1*	12/2009	Cadden et al. .... 222/1
2011/0155758	A1*	6/2011	Johnson .... 222/1

**FOREIGN PATENT DOCUMENTS**

EP	1233210	8/2002
JP	11333346	12/1999

**OTHER PUBLICATIONS**

European Search Report, 7 pages, dated Nov. 3, 2011 for EP Application No. EP11179374.1.

(Continued)

*Primary Examiner* — Antoine D Davis

(74) *Attorney, Agent, or Firm* — Tarolli, Sundheim, Covell & Tummino LLP

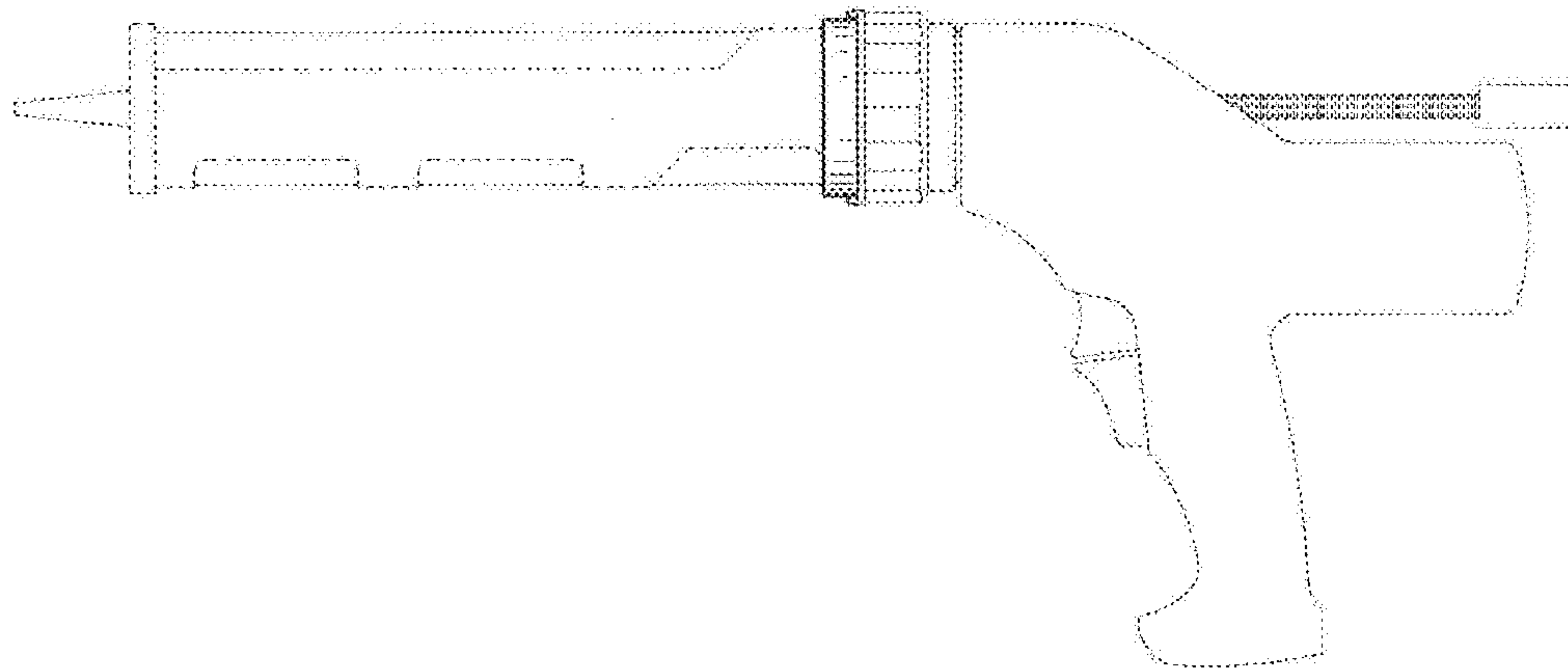
(57) **CLAIM**

The ornamental design for a dispensing tool, as shown and described.

**DESCRIPTION**

FIG. 1 is a side elevation assembly view of a dispensing tool; FIG. 2 is a perspective view thereof; FIG. 3 is a first side elevation view thereof; FIG. 4 is a second side elevation view thereof; FIG. 5 is a top plan view thereof; FIG. 6 is a bottom plan view thereof; FIG. 7 is a first end elevation view thereof; FIG. 8 is a second end view thereof; FIG. 9 is a perspective view thereof, showing an alternate usage environment; FIG. 10 is a first side elevation view of FIG. 9; FIG. 11 is a second side elevation view of FIG. 9; FIG. 12 is a top plan view of FIG. 9; FIG. 13 is a bottom plan view of FIG. 9; FIG. 14 is a first end elevation view of FIG. 9; and, FIG. 15 is a second end elevation view of FIG. 9. The broken and dashed lines shown are for environmental purposes only and form no part of the claimed design.

**1 Claim, 6 Drawing Sheets**



OTHER PUBLICATIONS

International Search Report, 7 pages, dated Jun. 10, 2008 for International Application No. PCT/US2007/024785.

Milwaukee 14.4V Cordless Caulk & Adhesive Gun Kits, Online Product Sheet, Jun. 25, 2006 (date according to waybackmachine.com) }Retrieved on May 13, 2008} Retrieved from the Internet <URL:<http://www.mytoolstore.com/milwauke/6562-21.html>, 6 pages.

Exploded View and Service Parts List for 14.4V Cordless Caulk Gun, Catalog No. 6562-21, Serial No. A63A, 2 pages.

Exploded View and Service Parts List for 14.4V Cordless Caulk Gun, Catalog No. 6562-24, Serial No. A93A, 2 pages.

Exploded View and Service Parts List for 14.4V Cordless Caulk Gun, Catalog No. 6562-23, Serial No. A92A, 2 pages.

Milwaukee 12 Volt Cordless Caulk and Adhesive Guns Advertisement, 2 pages.

Milwaukee Operator's Manual for 14.4V Caulk and Adhesive Gun, 40 pages.

European Search Report, 6 pages, dated Mar. 15, 2010 for EP Application No. EP07862463.

\* cited by examiner

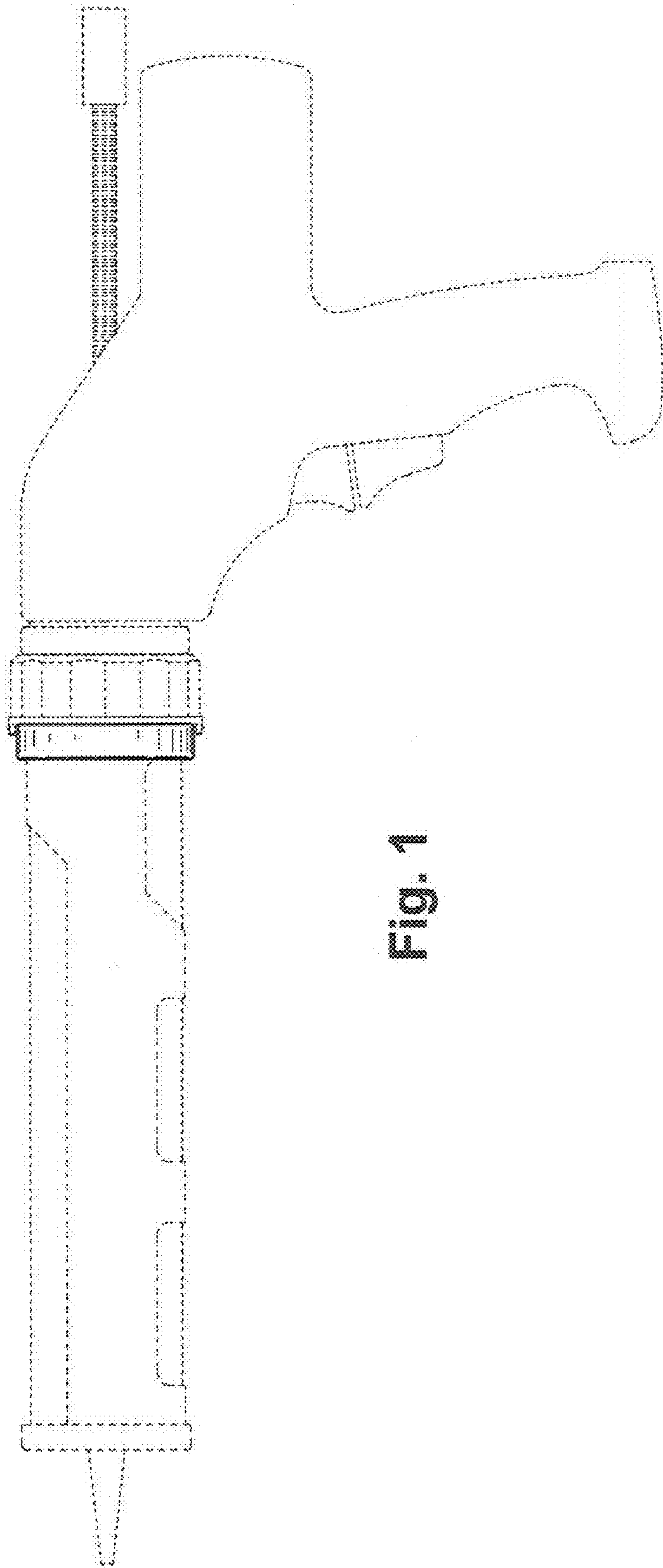


Fig. 1

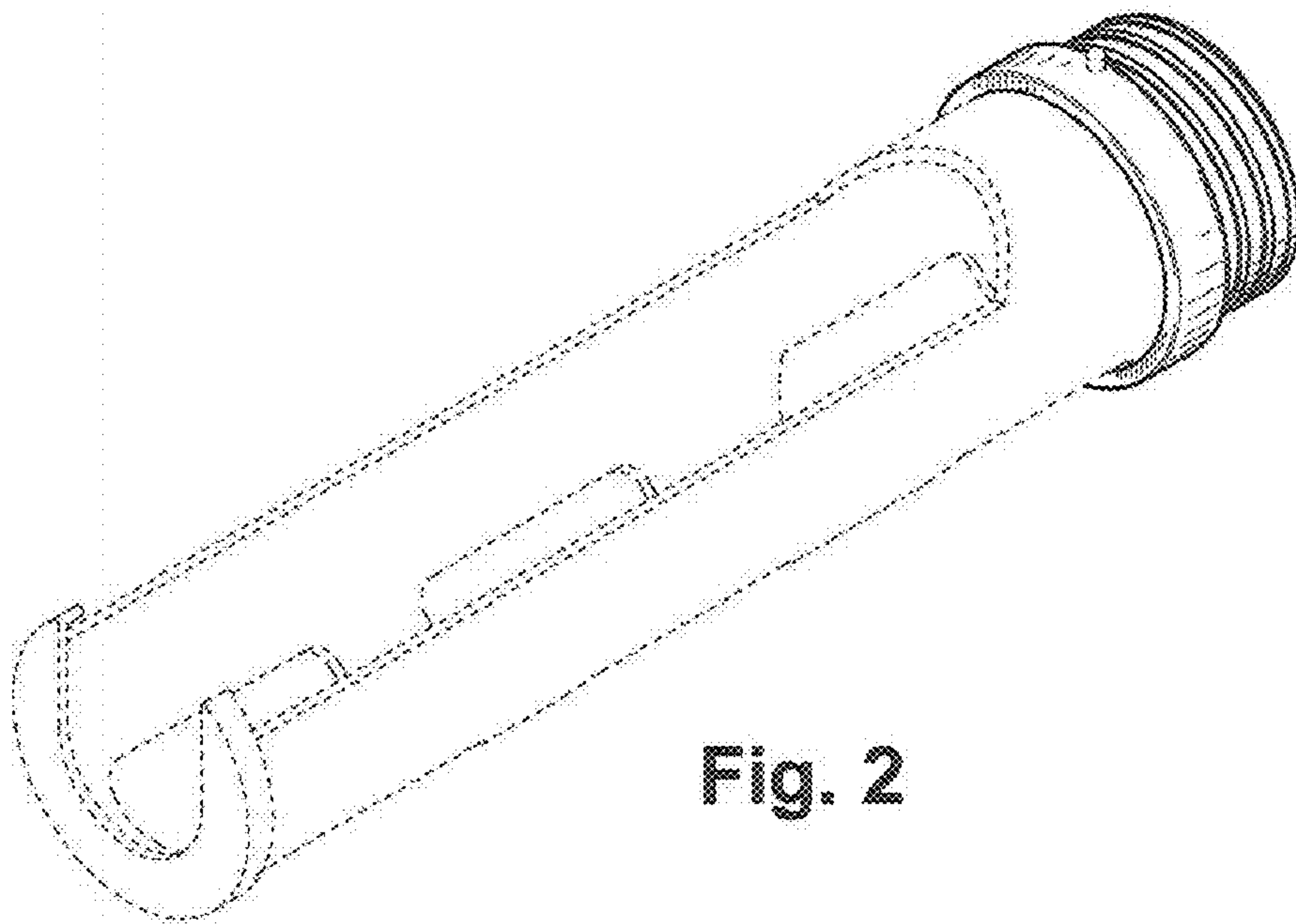


Fig. 2

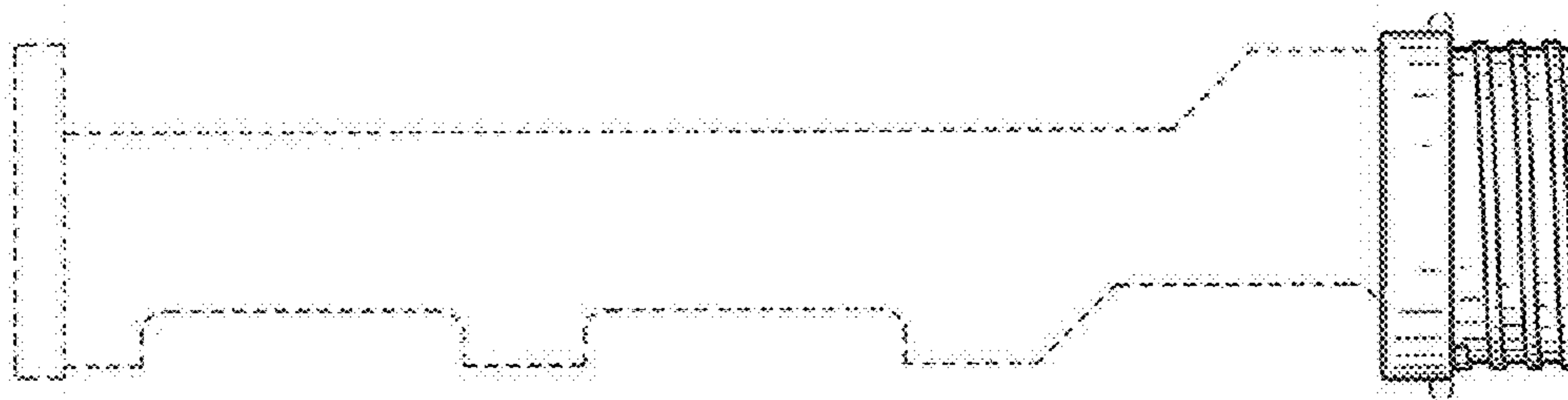


Fig. 3

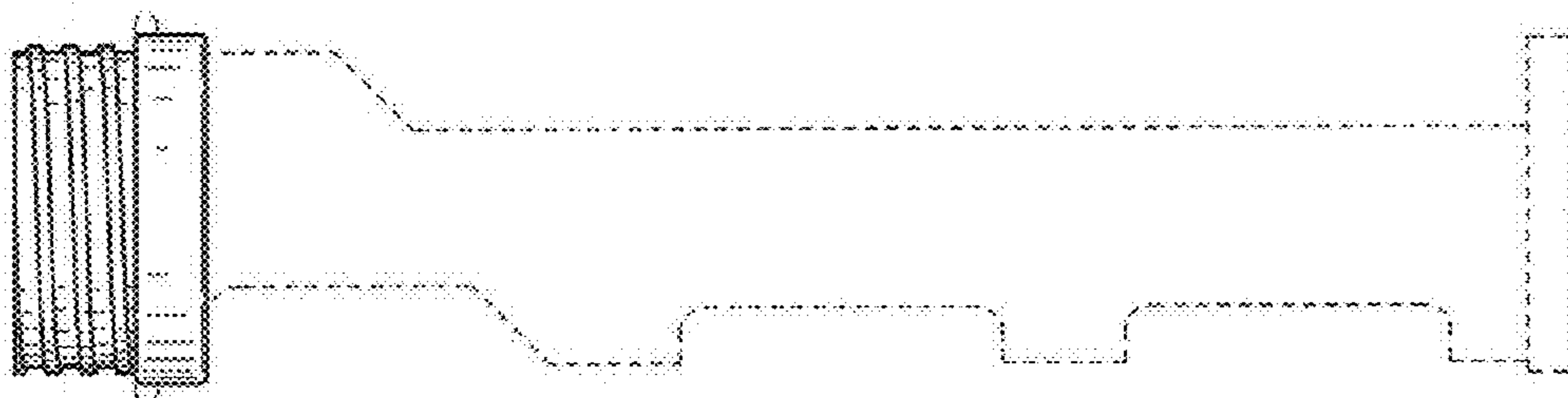


Fig. 4



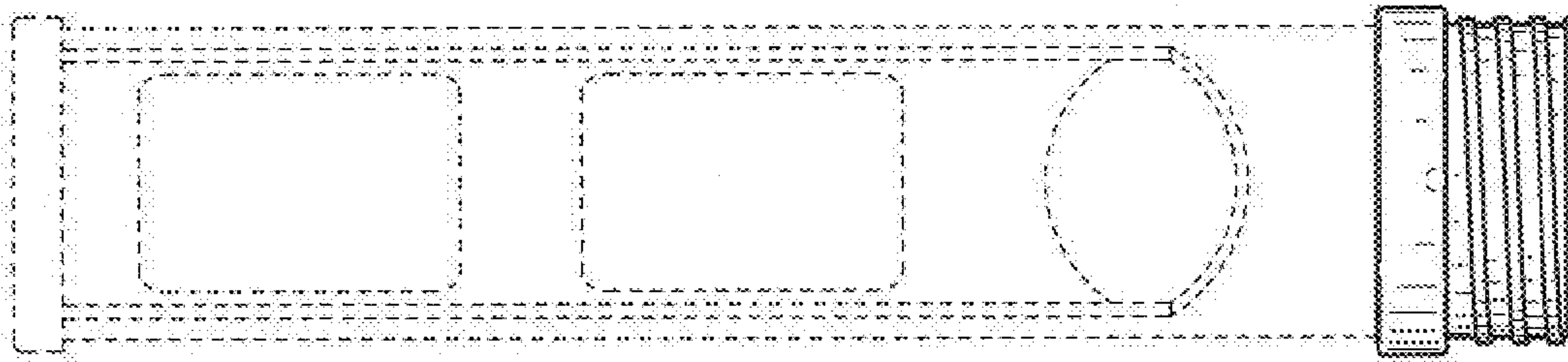


Fig. 5

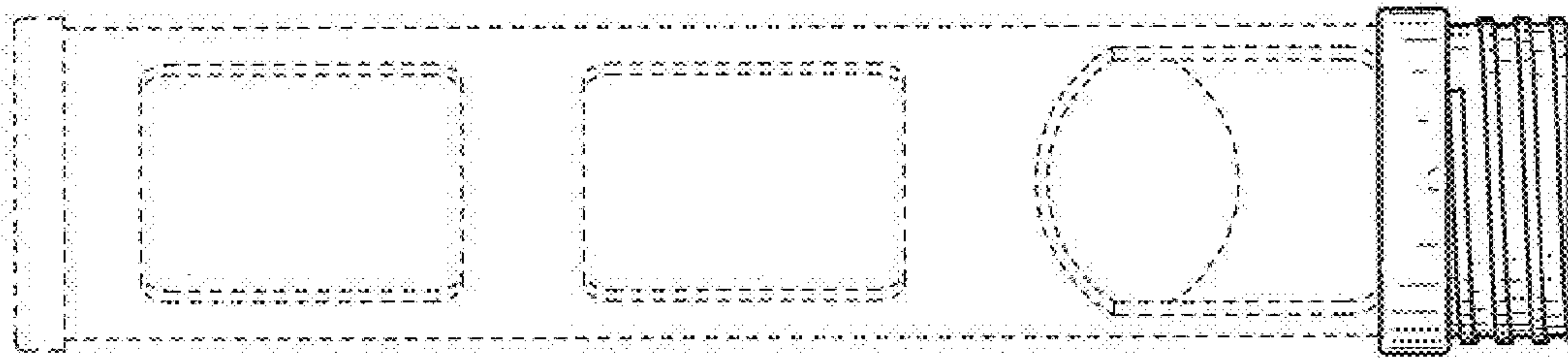


Fig. 6

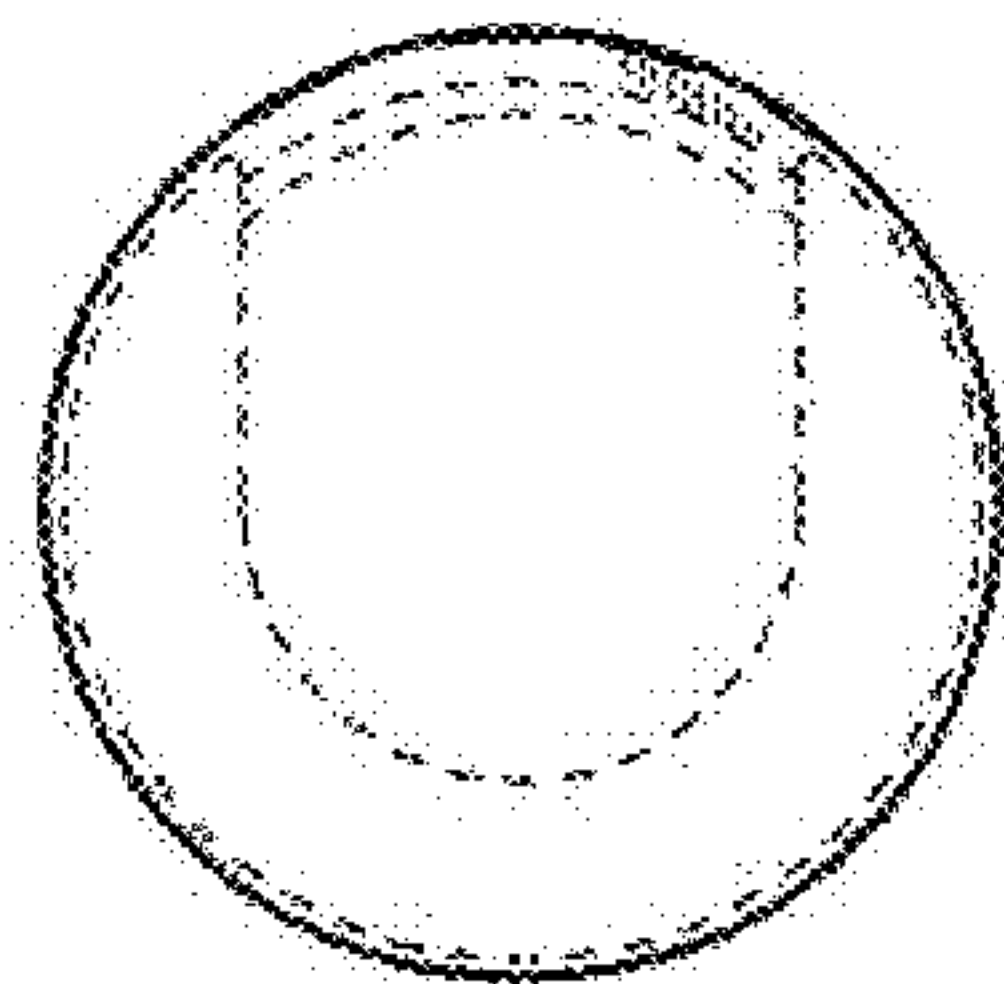


Fig. 7

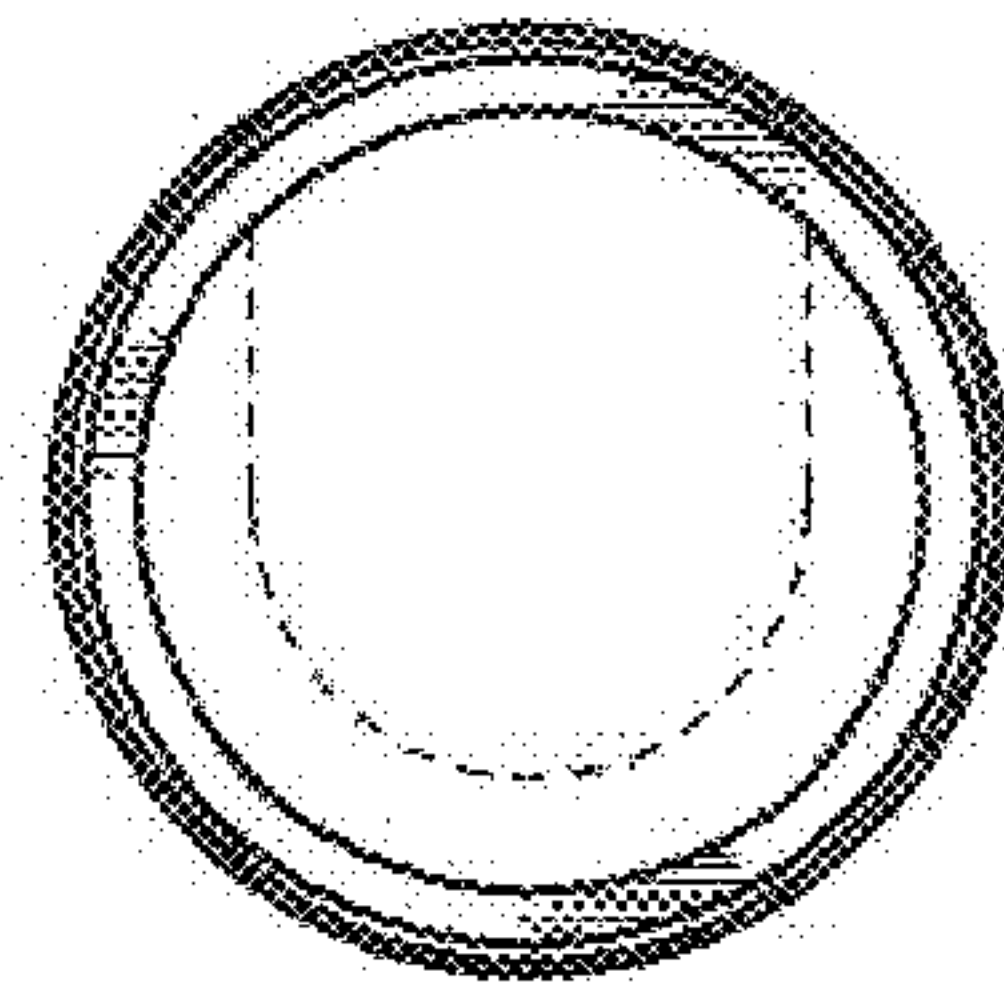


Fig. 8

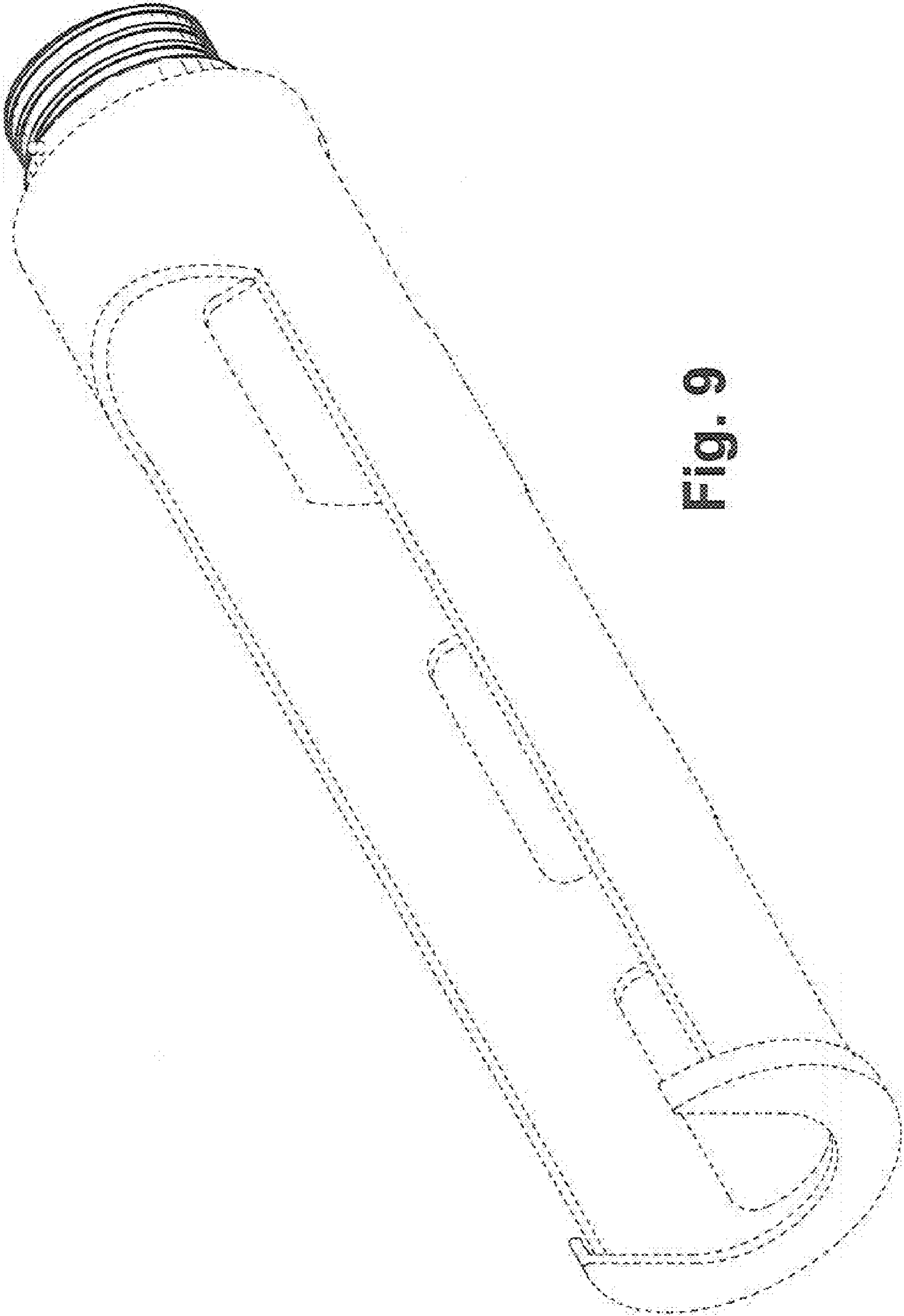


Fig. 9

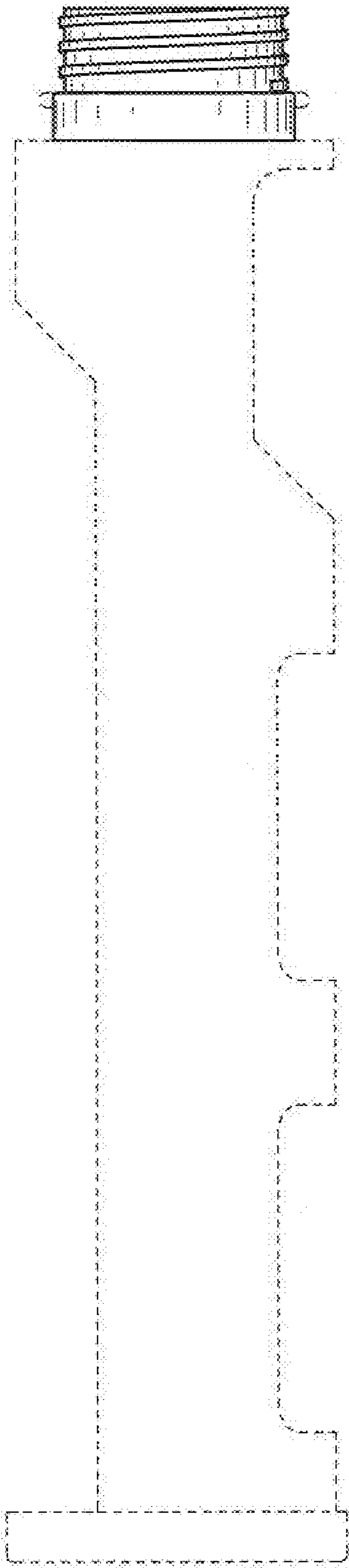


Fig. 10

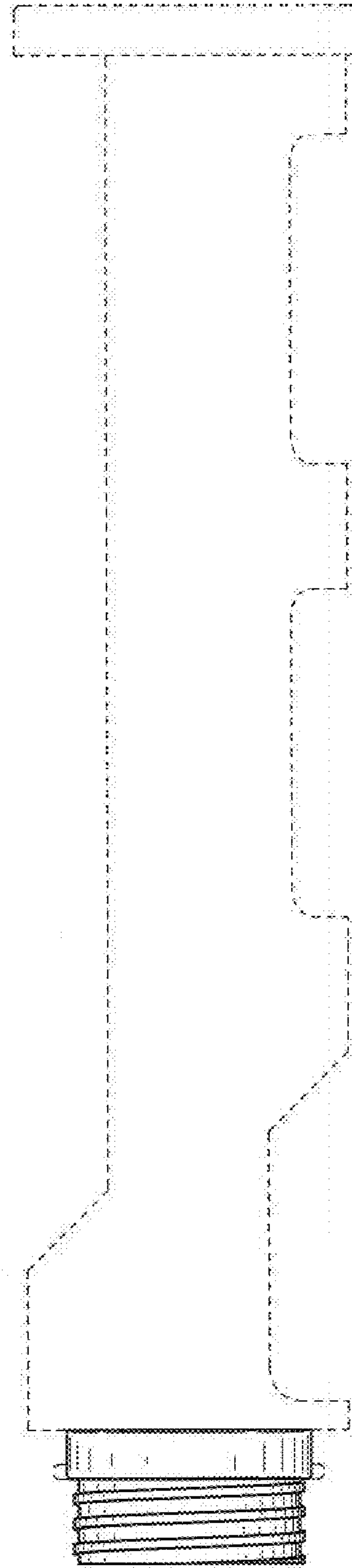


Fig. 11

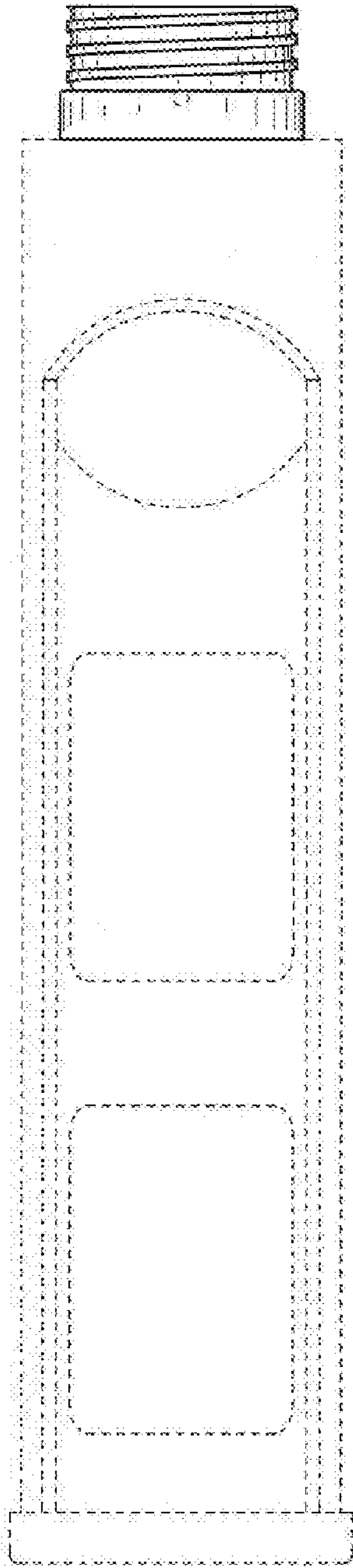


Fig. 12

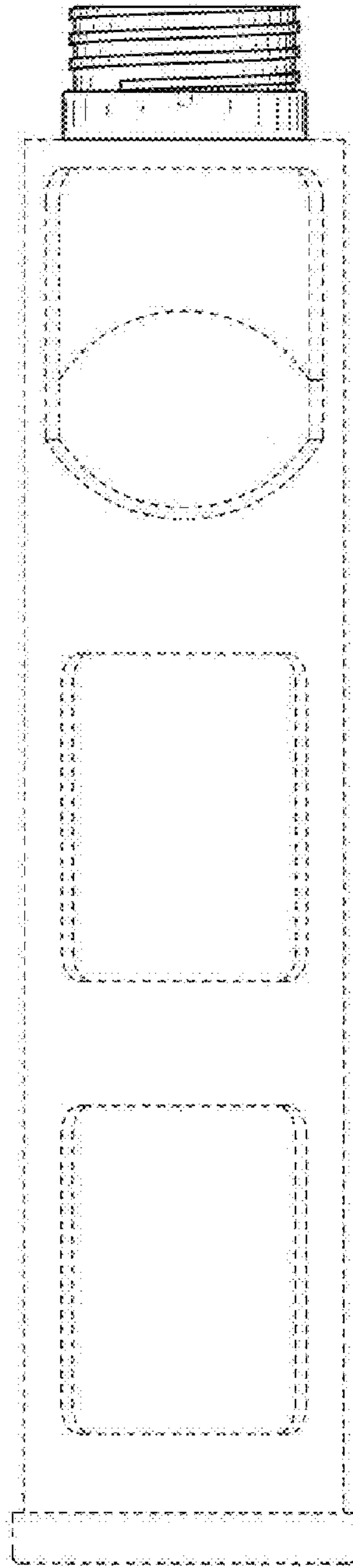


Fig. 13

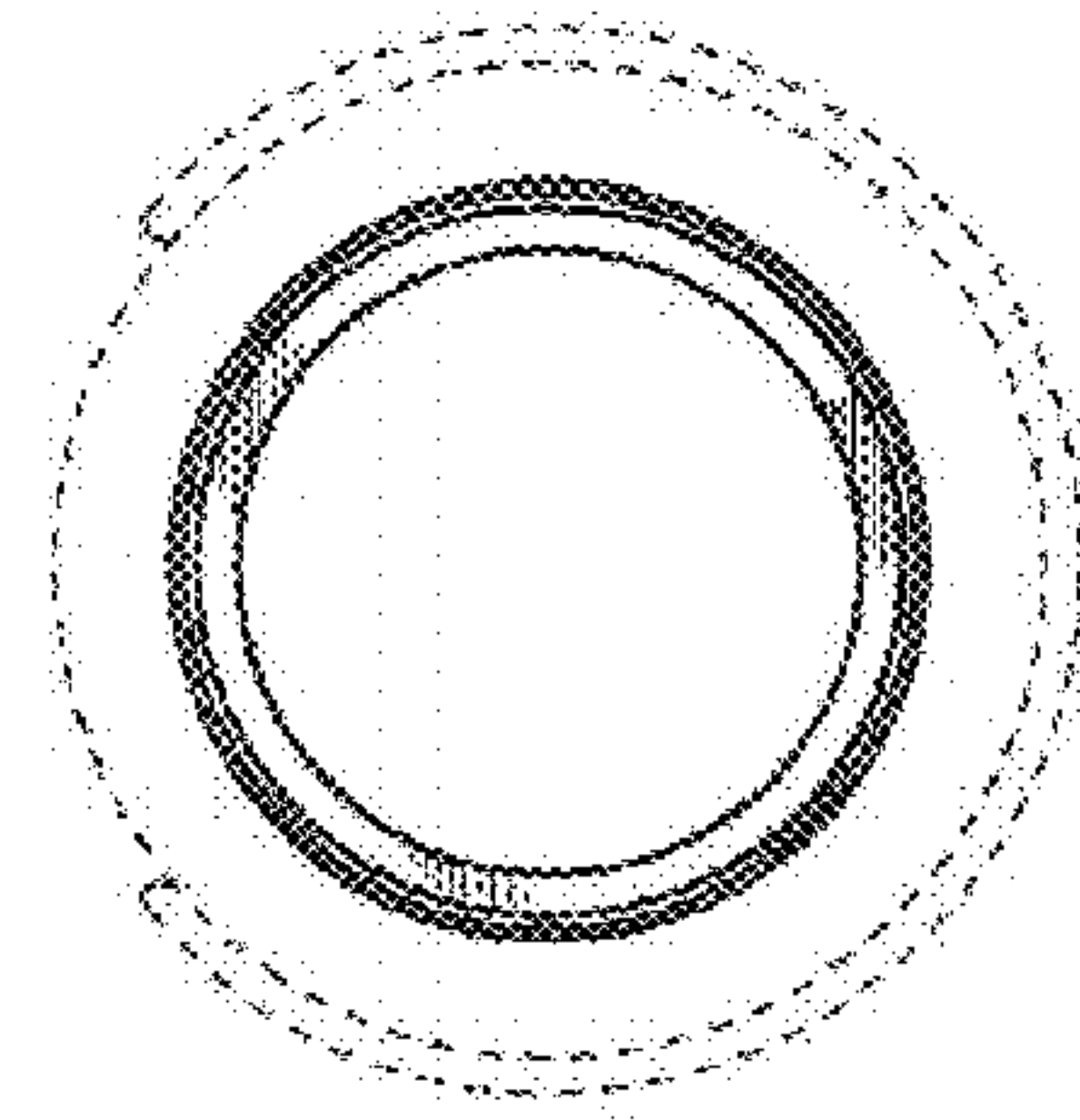


Fig. 15

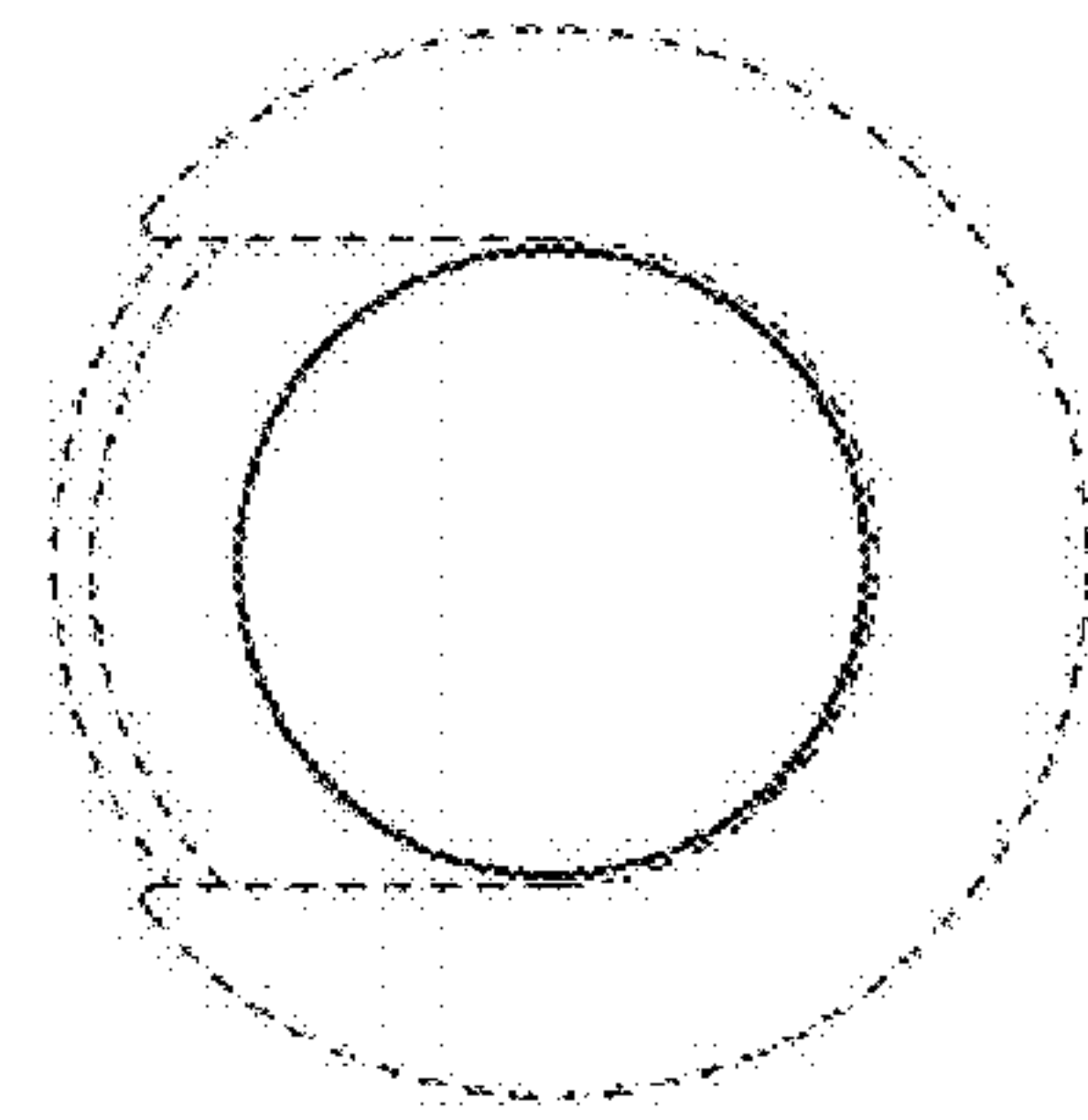


Fig. 14