



US00D653510S

(12) **United States Design Patent**
Huff

(10) **Patent No.:** **US D653,510 S**

(45) **Date of Patent:** **** Feb. 7, 2012**

(54) **ROOT-CUTTER SHOVEL**

(76) Inventor: **Dana G. Huff**, Leesburg, FL (US)

(**) Term: **14 Years**

(21) Appl. No.: **29/385,118**

(22) Filed: **Feb. 9, 2011**

(51) **LOC (9) Cl.** **08-01**

(52) **U.S. Cl.** **D8/10**

(58) **Field of Classification Search** D8/7, 10;
294/49, 53.5, 54.5, 51, 56, 57, 55.5; 172/371-373;
56/400.01, 400.14; 37/265, 285, 434
See application file for complete search history.

(56) **References Cited**

U.S. PATENT DOCUMENTS

D102,957	S	*	1/1937	Renner	D8/9
3,020,077	A	*	2/1962	Rokos	294/55.5
3,868,775	A		3/1975	Anderson		
4,050,727	A	*	9/1977	Bonnes	294/49
D292,061	S	*	9/1987	Germain	D8/10
D319,952	S	*	9/1991	Harvey, Sr.	D8/9
5,156,101	A		10/1992	Wien		
5,529,130	A		6/1996	Suk		
5,533,578	A		7/1996	Powell		
D407,955	S	*	4/1999	Bierman	D8/10

D492,885	S	*	7/2004	Whitlock	D8/10
D506,654	S	*	6/2005	Costa	D8/10
D570,653	S	*	6/2008	Baker	D8/10
D596,470	S	*	7/2009	Greenly	D8/10
D606,817	S	*	12/2009	Boies	D8/10
D621,670	S	*	8/2010	Jusidman Rubinstein	D8/10

* cited by examiner

Primary Examiner — Cynthia M Chin

Assistant Examiner — Sheryl Lane

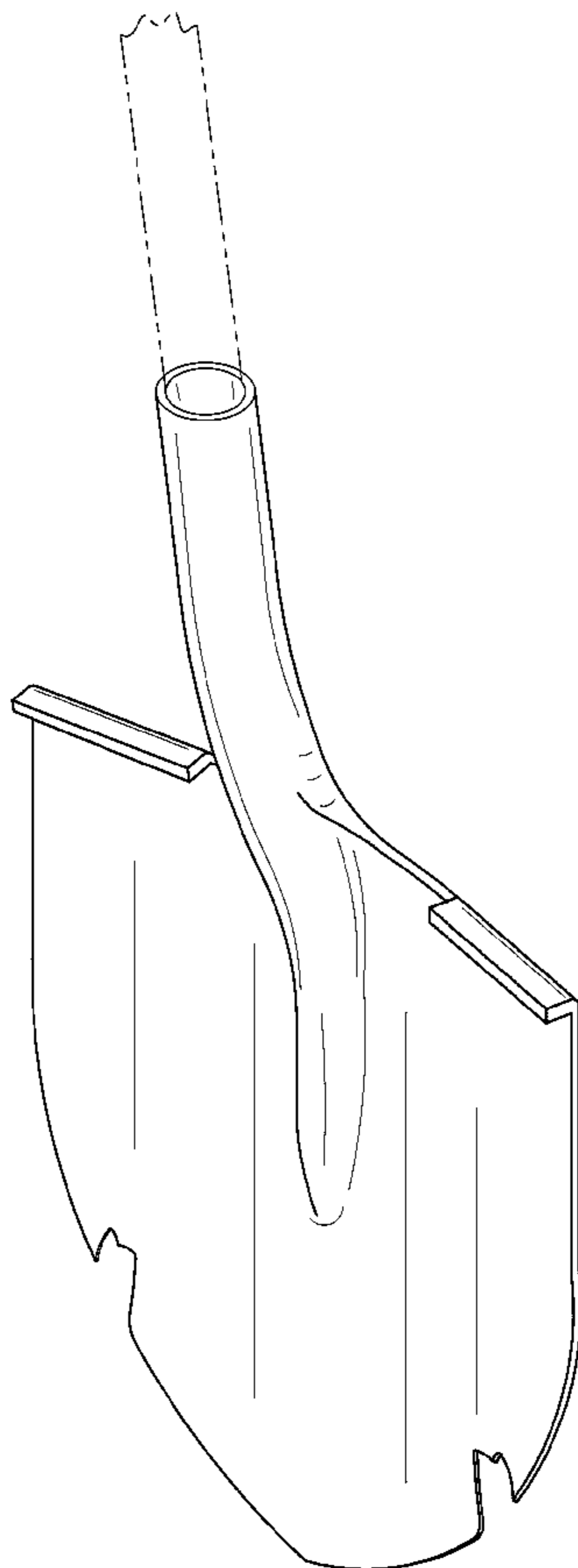
(57) **CLAIM**

The ornamental design for a root-cutter shovel, as shown and described.

DESCRIPTION

FIG. 1 is an isometric view of a root-cutter shovel showing my new design;
FIG. 2 is a front elevation view thereof;
FIG. 3 is a rear elevation view thereof;
FIG. 4 is a right elevation view thereof, the opposite being a mirror image of the shown;
FIG. 5 is a top plan view thereof; and,
FIG. 6 is a bottom plan view thereof.
The broken line showing of the root-cutter shovel is included for the purpose of illustrating portions of the shovel that form no part of the claimed design.

1 Claim, 4 Drawing Sheets



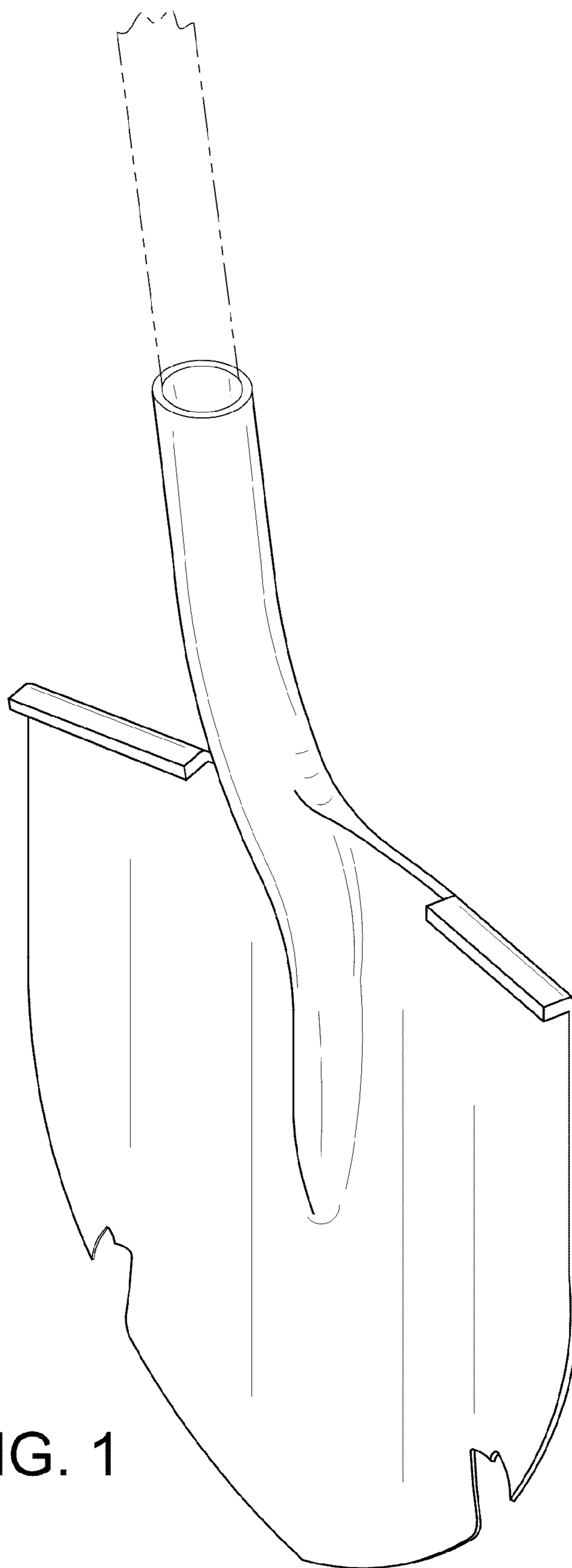


FIG. 1

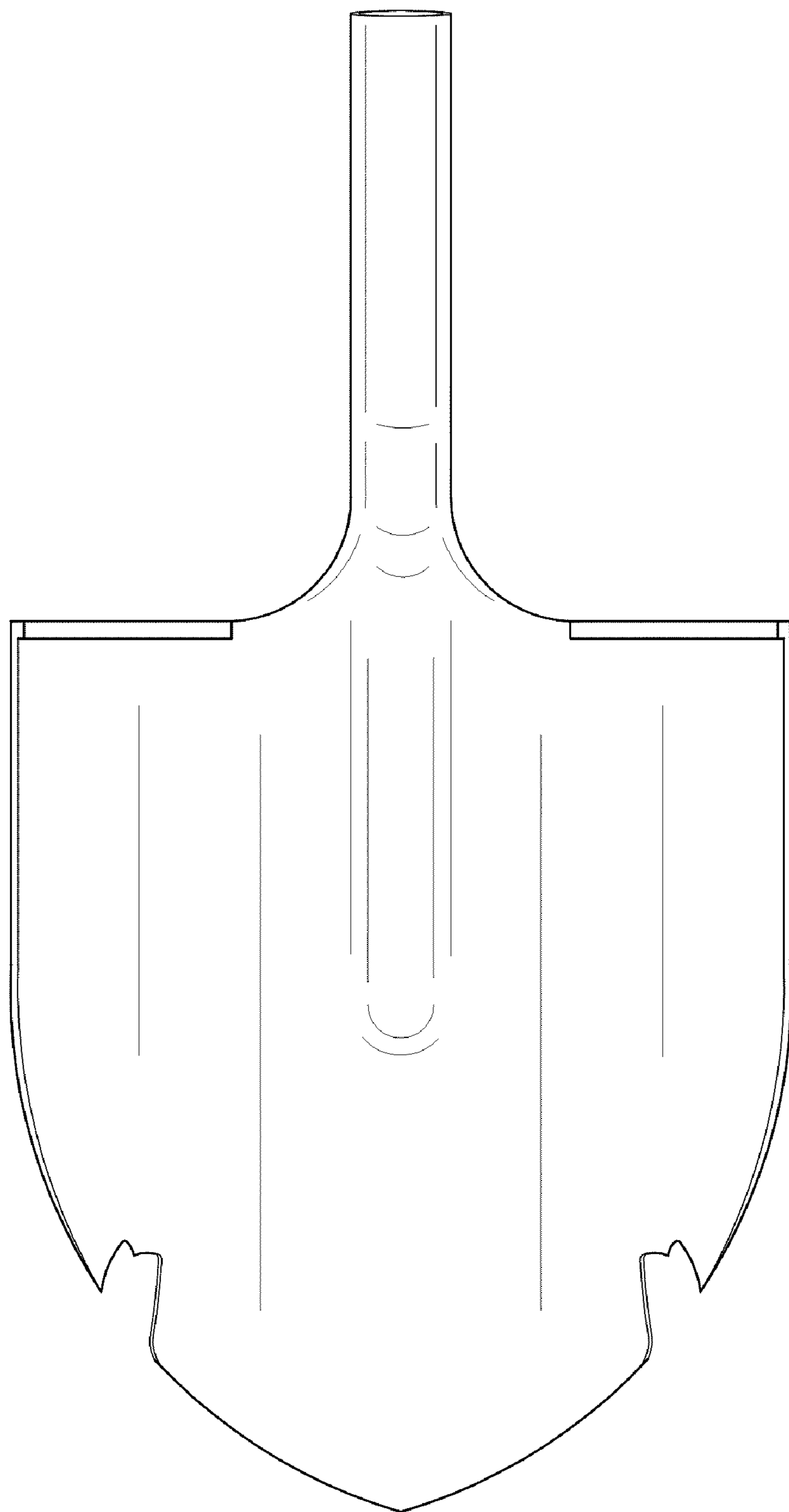


FIG. 2

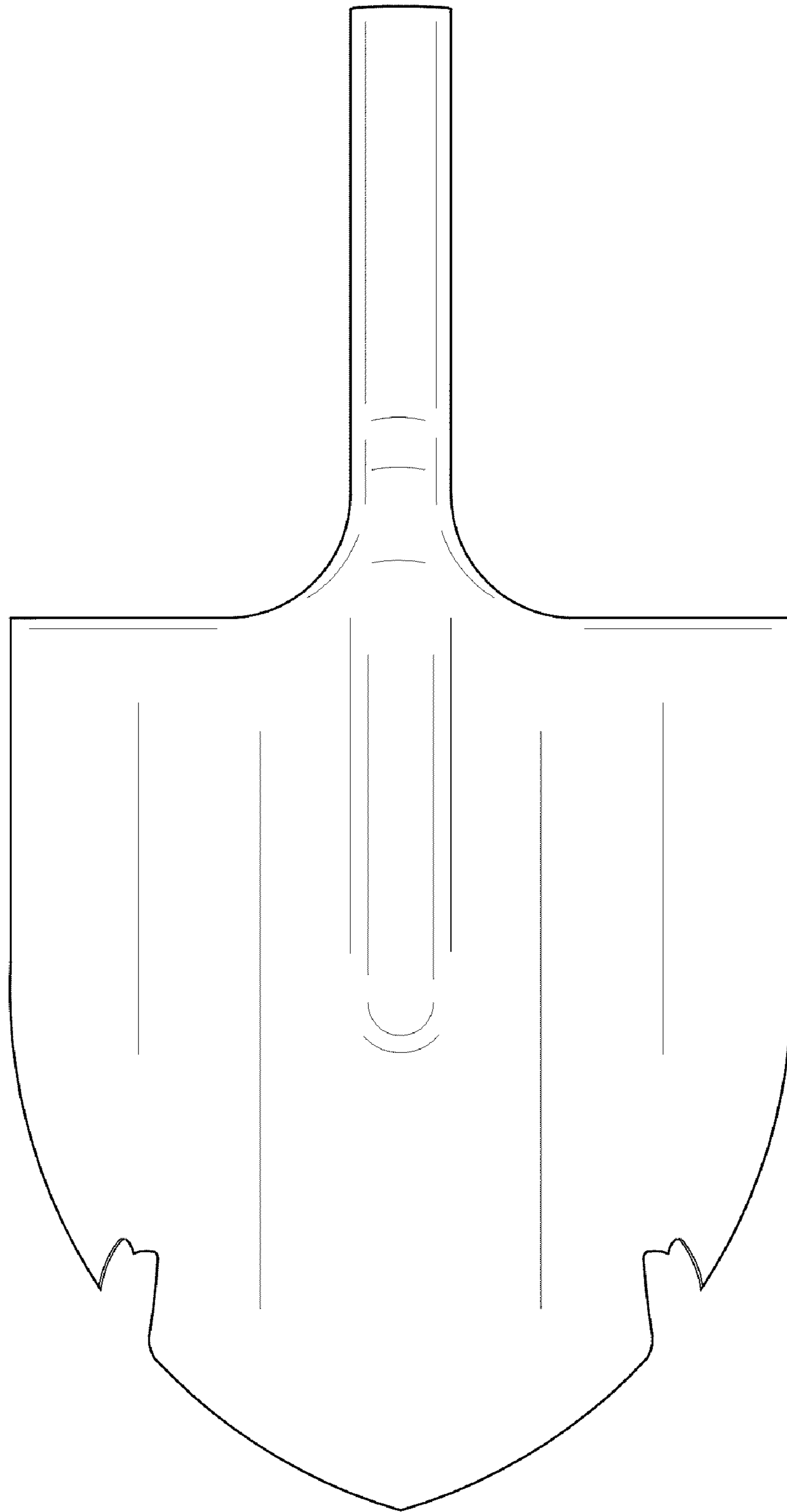


FIG. 3

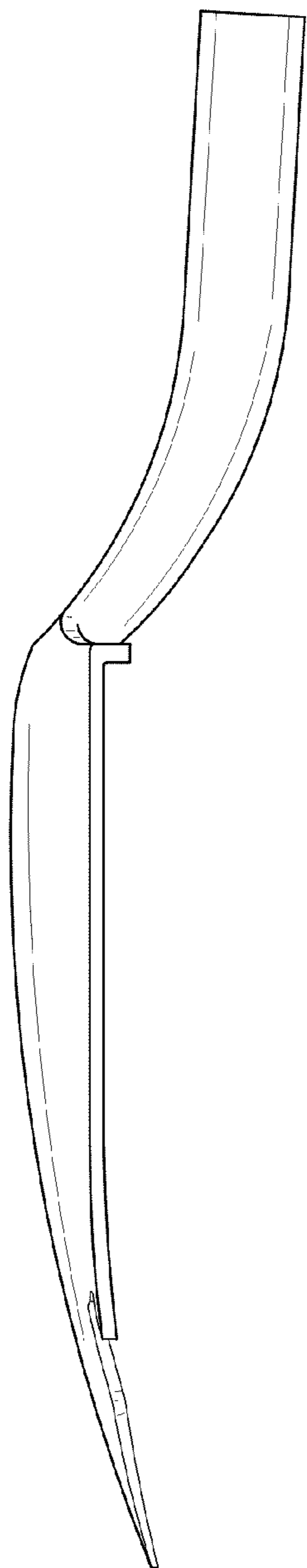


FIG. 4

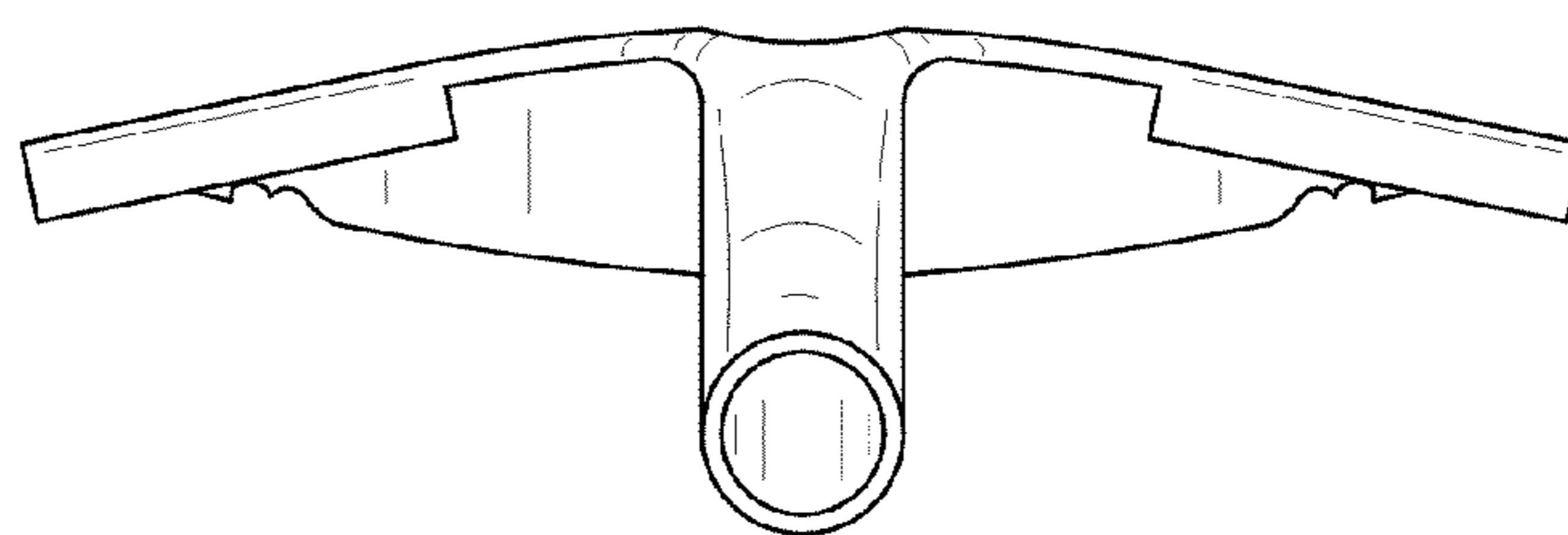


FIG. 5

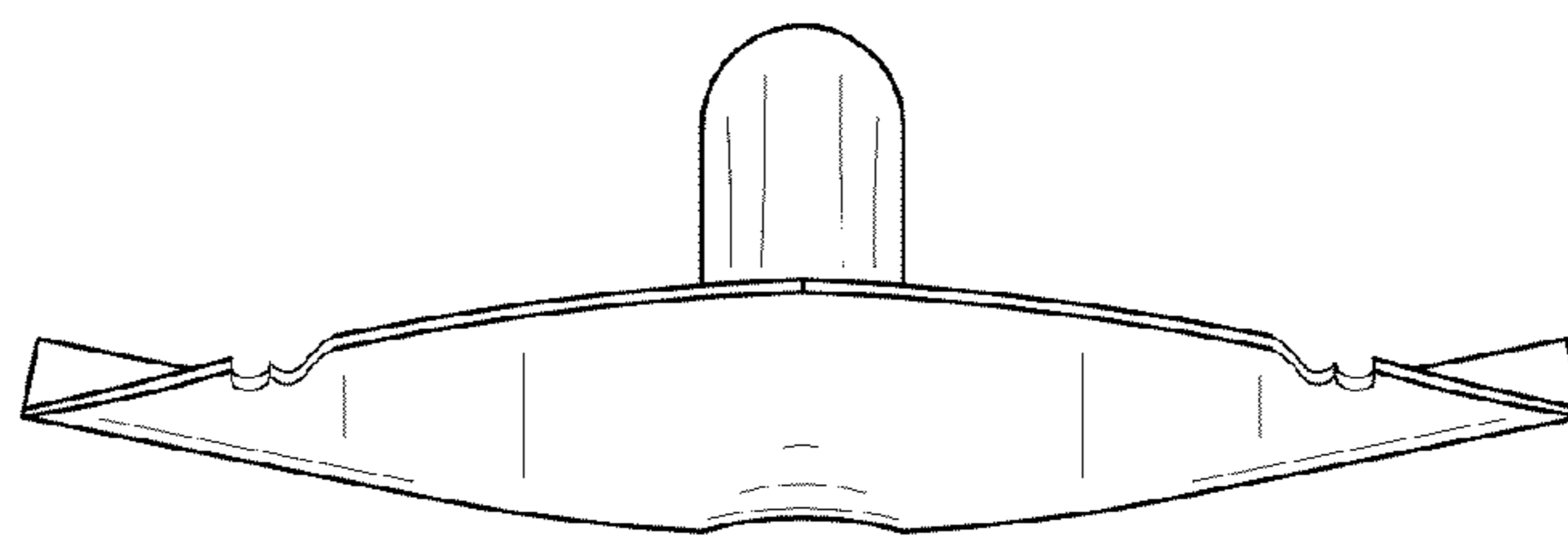


FIG. 6