



US00D653508S

(12) **United States Design Patent**
Nguyen

(10) **Patent No.:** **US D653,508 S**

(45) **Date of Patent:** **** Feb. 7, 2012**

(54) **CRUST REMOVER**

(75) Inventor: **Huy Kha Nguyen**, Anaheim, CA (US)

(73) Assignee: **Evrholder Products, LLC**, Anaheim, CA (US)

(**) Term: **14 Years**

(21) Appl. No.: **29/386,279**

(22) Filed: **Feb. 26, 2011**

(51) **LOC (9) Cl.** **07-04**

(52) **U.S. Cl.** **D7/675**

(58) **Field of Classification Search** D7/672-677,
D7/625, 604, 606, 628; 30/301, 303, 305,
30/306, 312, 314, 315, 316, 299, 114, 124,
30/130; D9/600, 649; D1/106; 83/13; 425/276,
425/279, 281, 298, 299; 249/117, 135

See application file for complete search history.

(56) **References Cited**

U.S. PATENT DOCUMENTS

2,612,123 A * 9/1952 Nord 30/316
4,245,973 A * 1/1981 Greaney 425/276

D263,398 S * 3/1982 Tiller D15/90
D282,136 S * 1/1986 Skermetta D7/675
D357,564 S * 4/1995 Roth D1/106
D417,368 S * 12/1999 O'Neill D7/606
D481,914 S * 11/2003 Short D7/675
D488,674 S * 4/2004 O'Neill D7/515
2004/0187317 A1 * 9/2004 Wood 30/315

* cited by examiner

Primary Examiner — Terry Wallace

(57) **CLAIM**

The ornamental design for a crust remover, as shown and described.

DESCRIPTION

FIG. 1 illustrates a top view of the claimed design for a crust remover;

FIG. 2 illustrates a front view thereof;

FIG. 3 illustrates a left-side view thereof;

FIG. 4 illustrates a right-side view thereof;

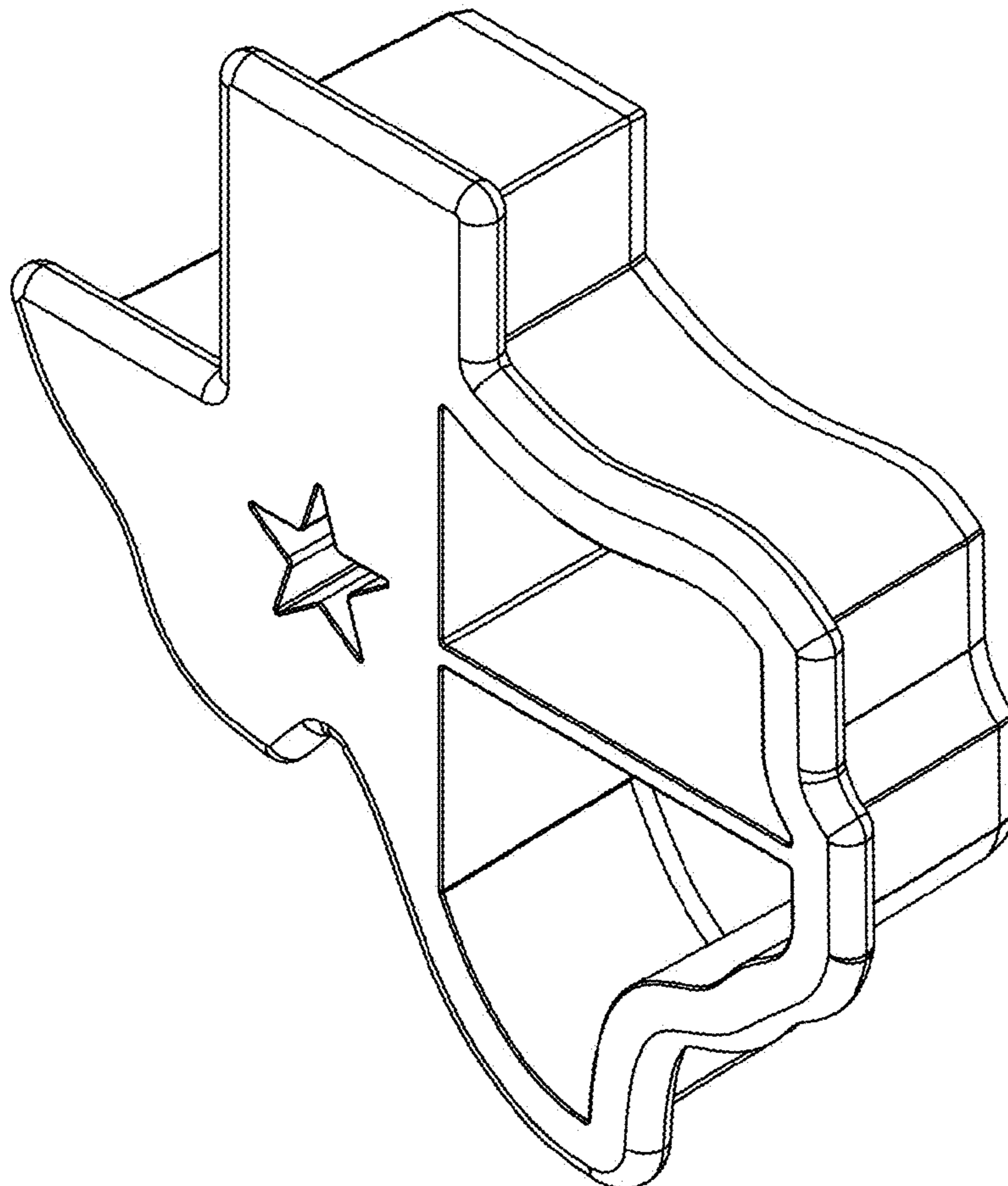
FIG. 5 illustrates bottom view thereof;

FIG. 6 illustrates a rear view thereof;

FIG. 7 illustrates an internal sectional view thereof; and,

FIG. 8 illustrates a perspective view thereof.

1 Claim, 8 Drawing Sheets



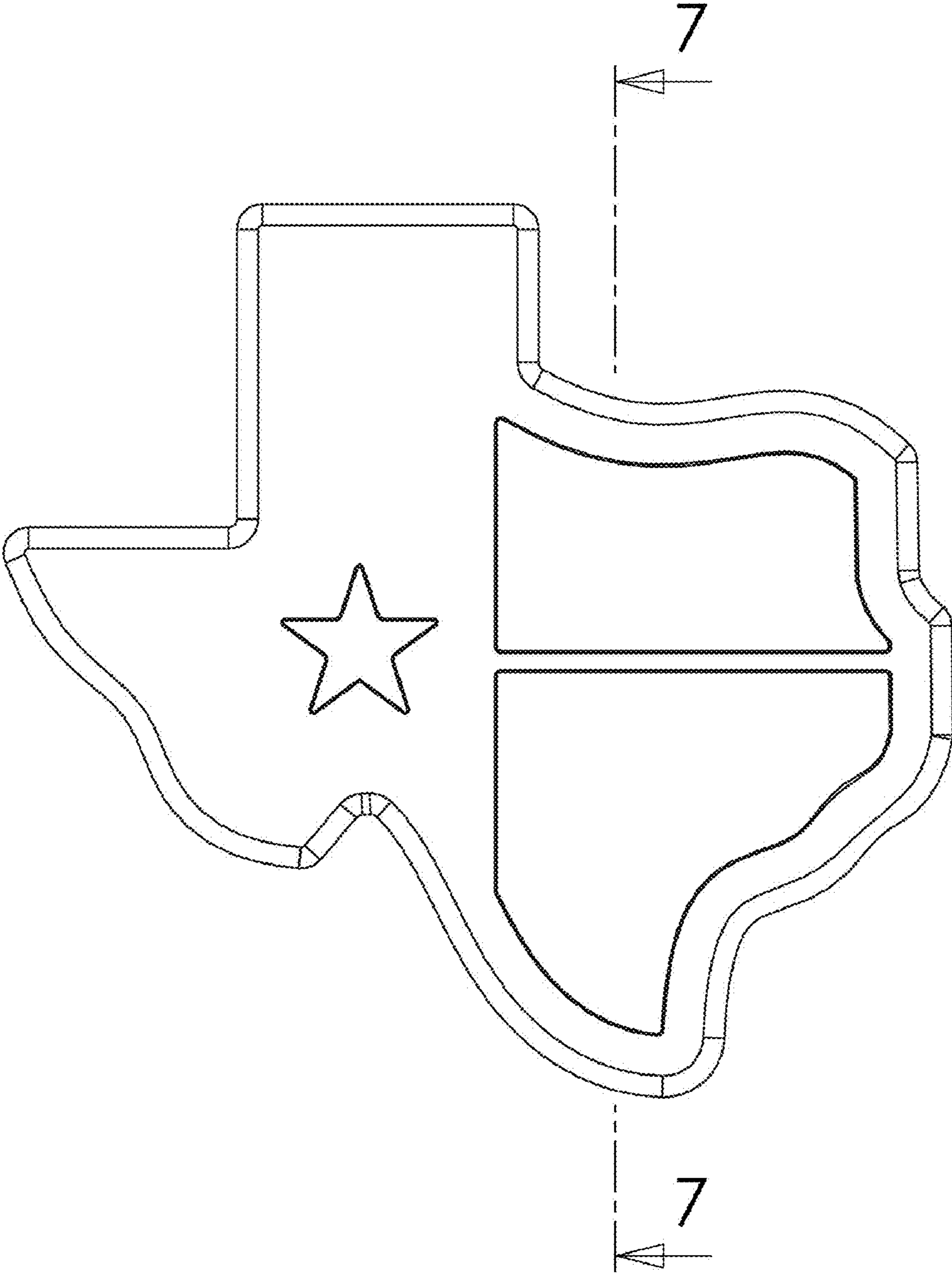


FIG. 1

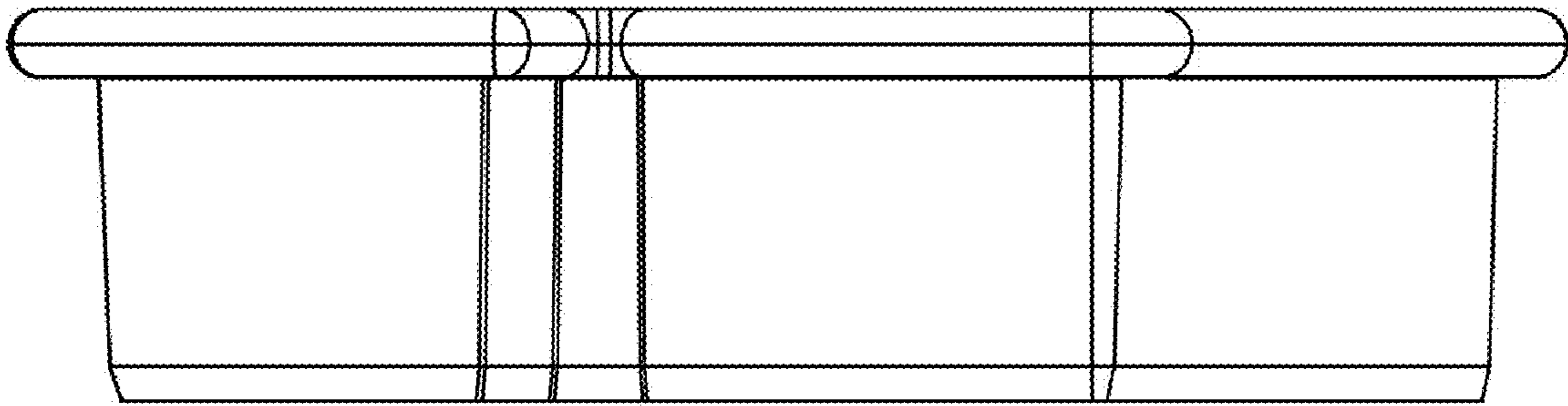


FIG. 2

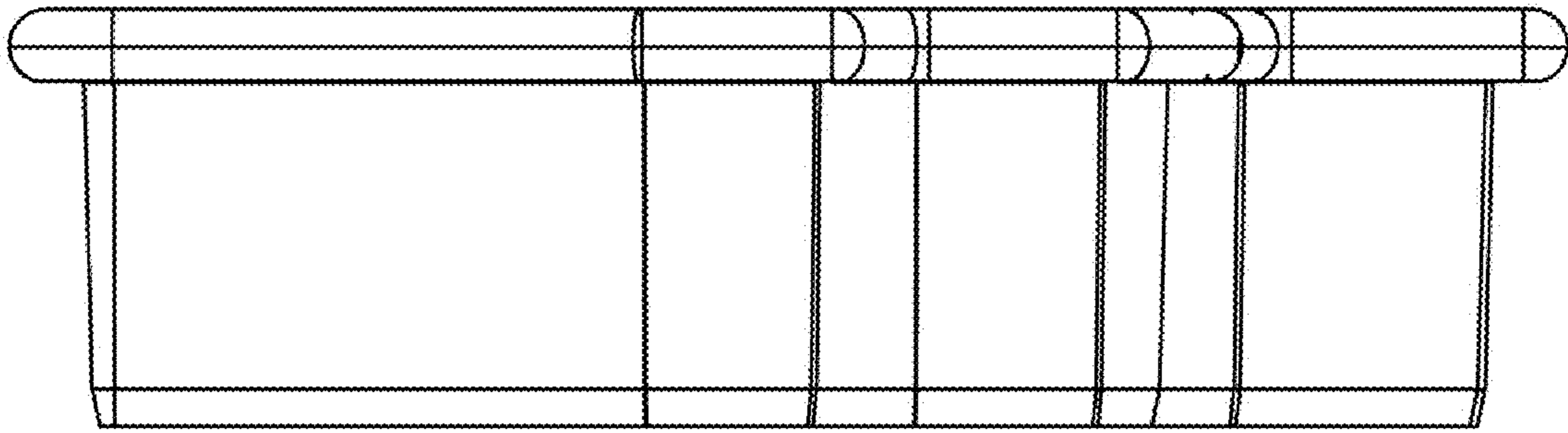


FIG. 3

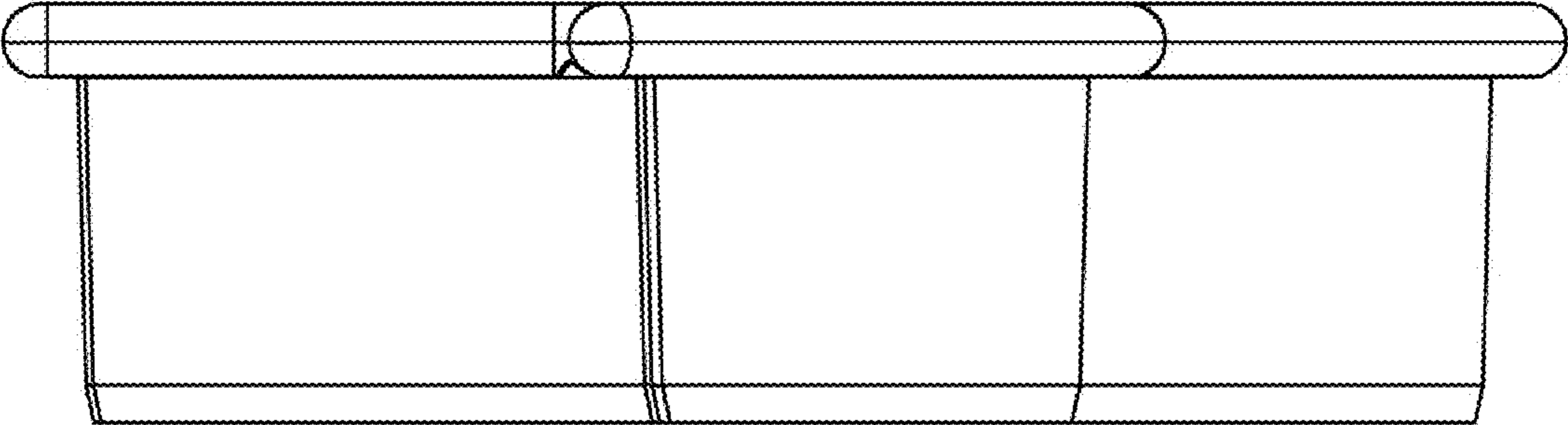


FIG. 4

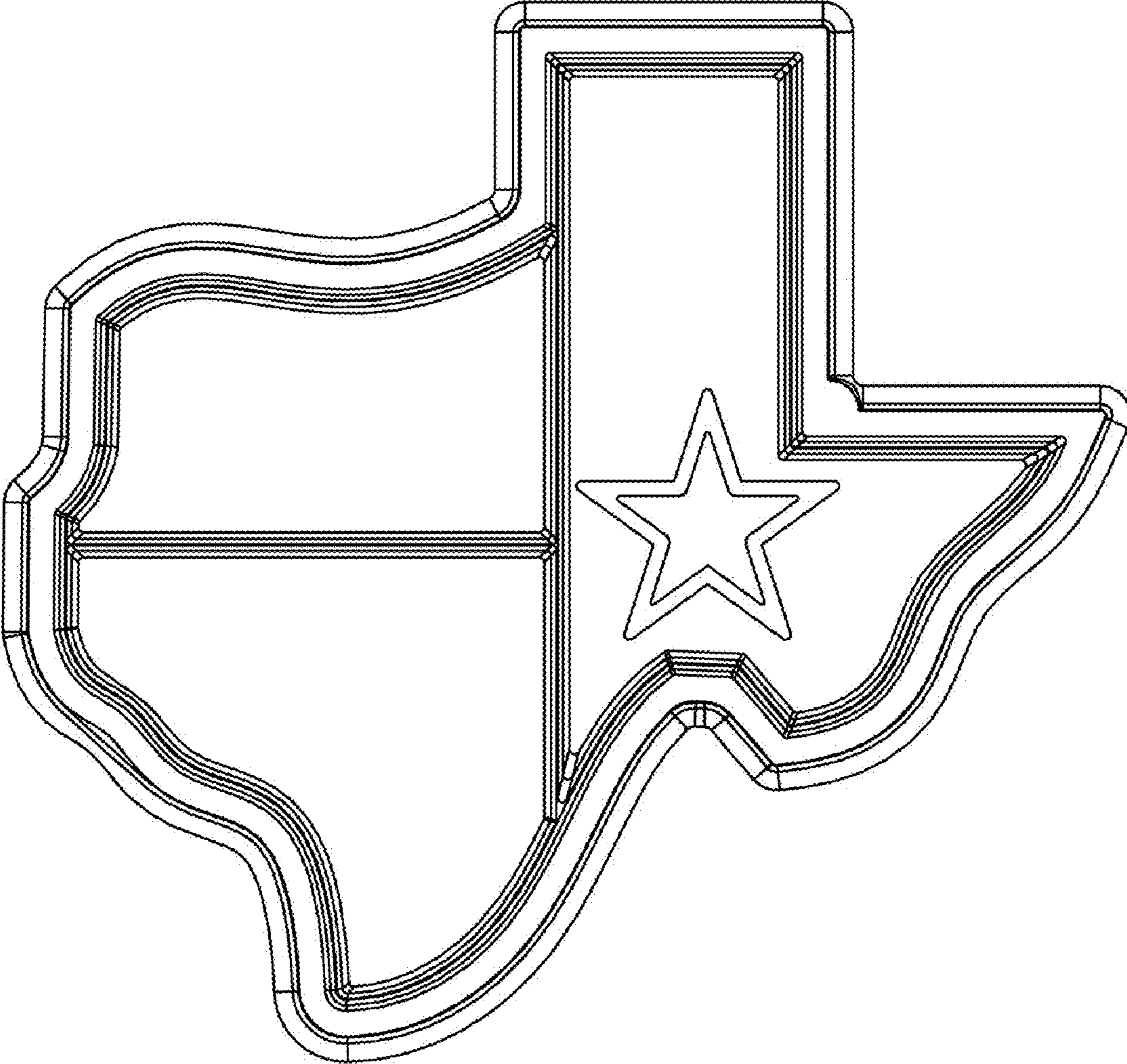


FIG. 5

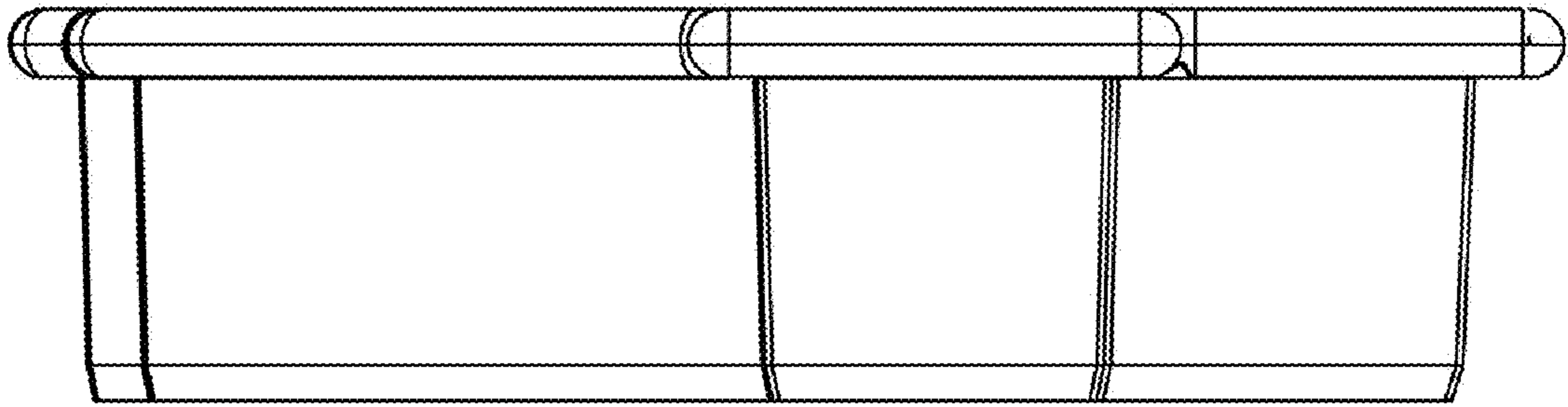


FIG. 6

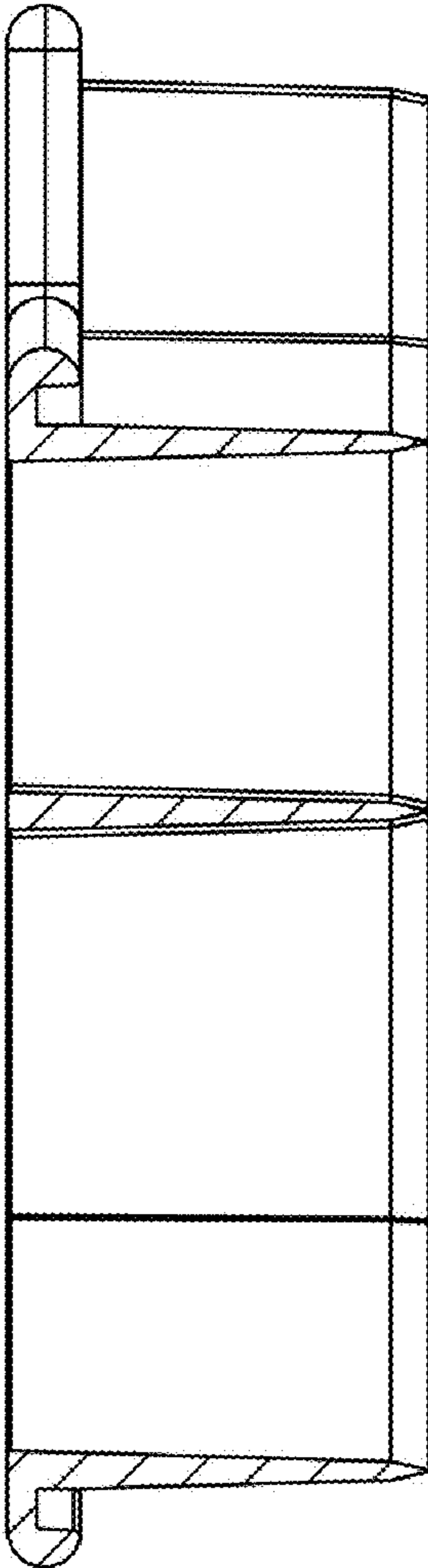


FIG. 7

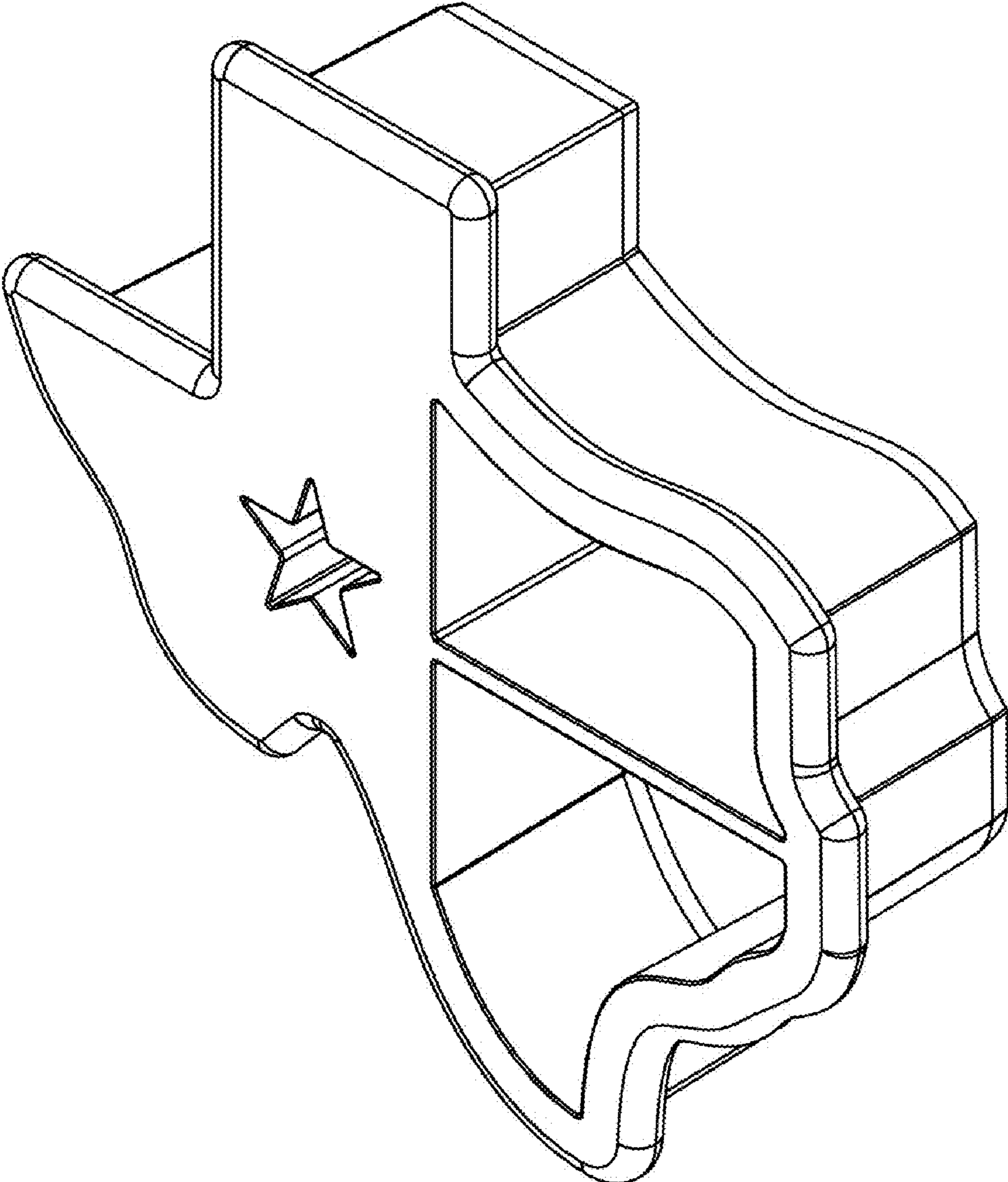


FIG. 8