



US00D653506S

(12) **United States Design Patent**  
**Gilbert**

(10) **Patent No.:** **US D653,506 S**

(45) **Date of Patent:** **\*\* Feb. 7, 2012**

(54) **FOOD CONTAINER**

(75) Inventor: **Tyler Sean Gilbert**, Bellevue, WA (US)

(73) Assignee: **Pacific Market International, LLC**,  
Seattle, WA (US)

(\*\*) Term: **14 Years**

(21) Appl. No.: **29/376,080**

(22) Filed: **Oct. 1, 2010**

(51) **LOC (9) Cl.** ..... **07-06**

(52) **U.S. Cl.** ..... **D7/629**

(58) **Field of Classification Search** ..... D7/629,  
D7/602, 630, 612-615, 538-543; 220/574-575,  
220/675, 780-802, 326, 256.1; D9/424-432  
See application file for complete search history.

(56) **References Cited**

**U.S. PATENT DOCUMENTS**

- D506,106 S \* 6/2005 Ordiway et al. .... D7/629
- D582,218 S \* 12/2008 Curtin ..... D7/629
- D584,110 S \* 1/2009 Hauser ..... D7/629

\* cited by examiner

*Primary Examiner* — Terry Wallace

(74) *Attorney, Agent, or Firm* — Davis Wright Tremaine  
LLP; George C. Rondeau, Jr.

(57) **CLAIM**

The ornamental design for a food container, as shown and described.

**DESCRIPTION**

FIG. 1 is a top, front perspective view of a food container showing my new design.

FIG. 2 is a left side view thereof.

FIG. 3 is a right side view thereof.

FIG. 4 is a rear elevation view thereof.

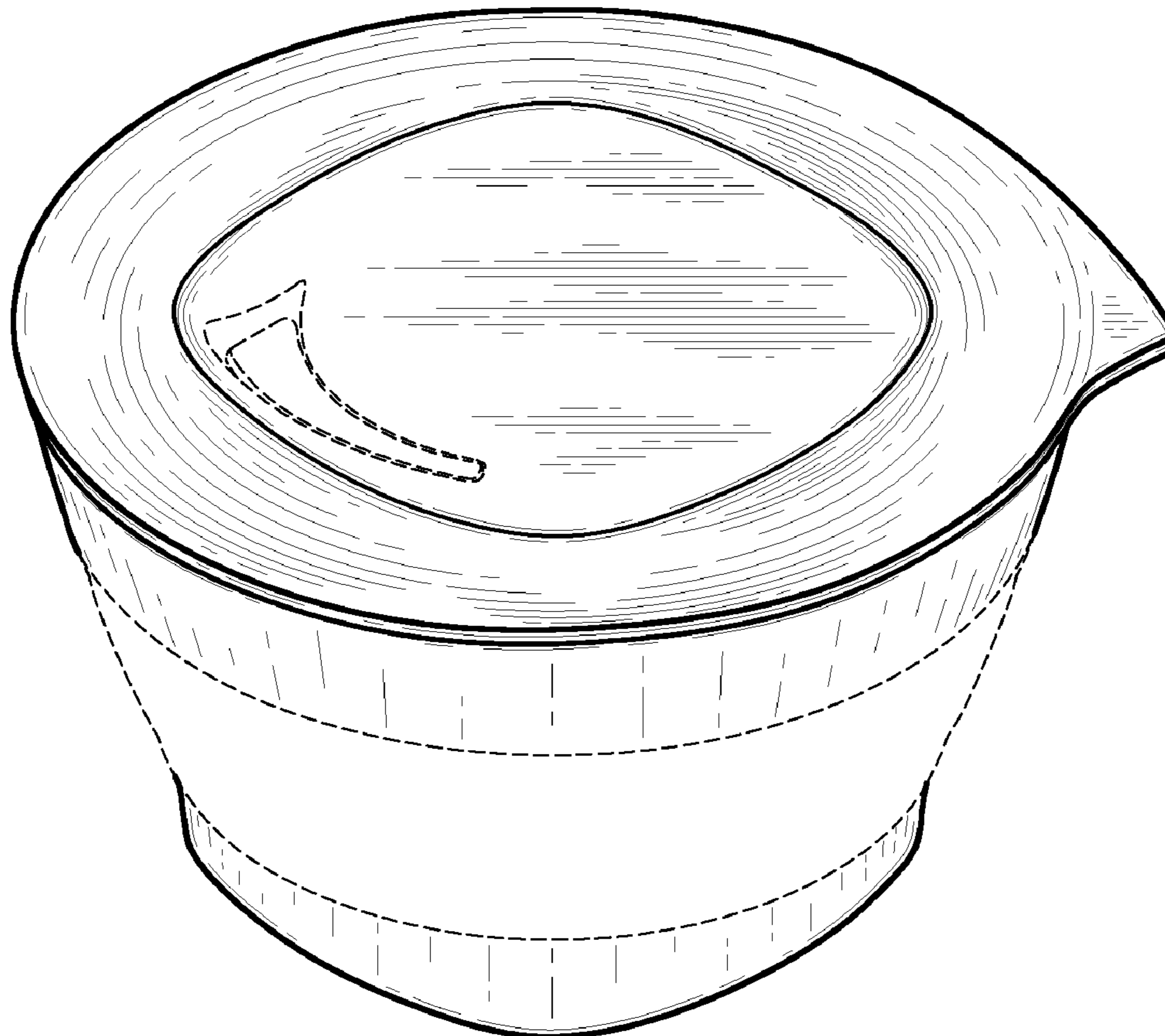
FIG. 5 is a front elevation view thereof.

FIG. 6 is a top plan view thereof; and,

FIG. 7 is a bottom plan view thereof.

The broken lines are for illustrative purposes only and form no part of the claimed design.

**1 Claim, 4 Drawing Sheets**



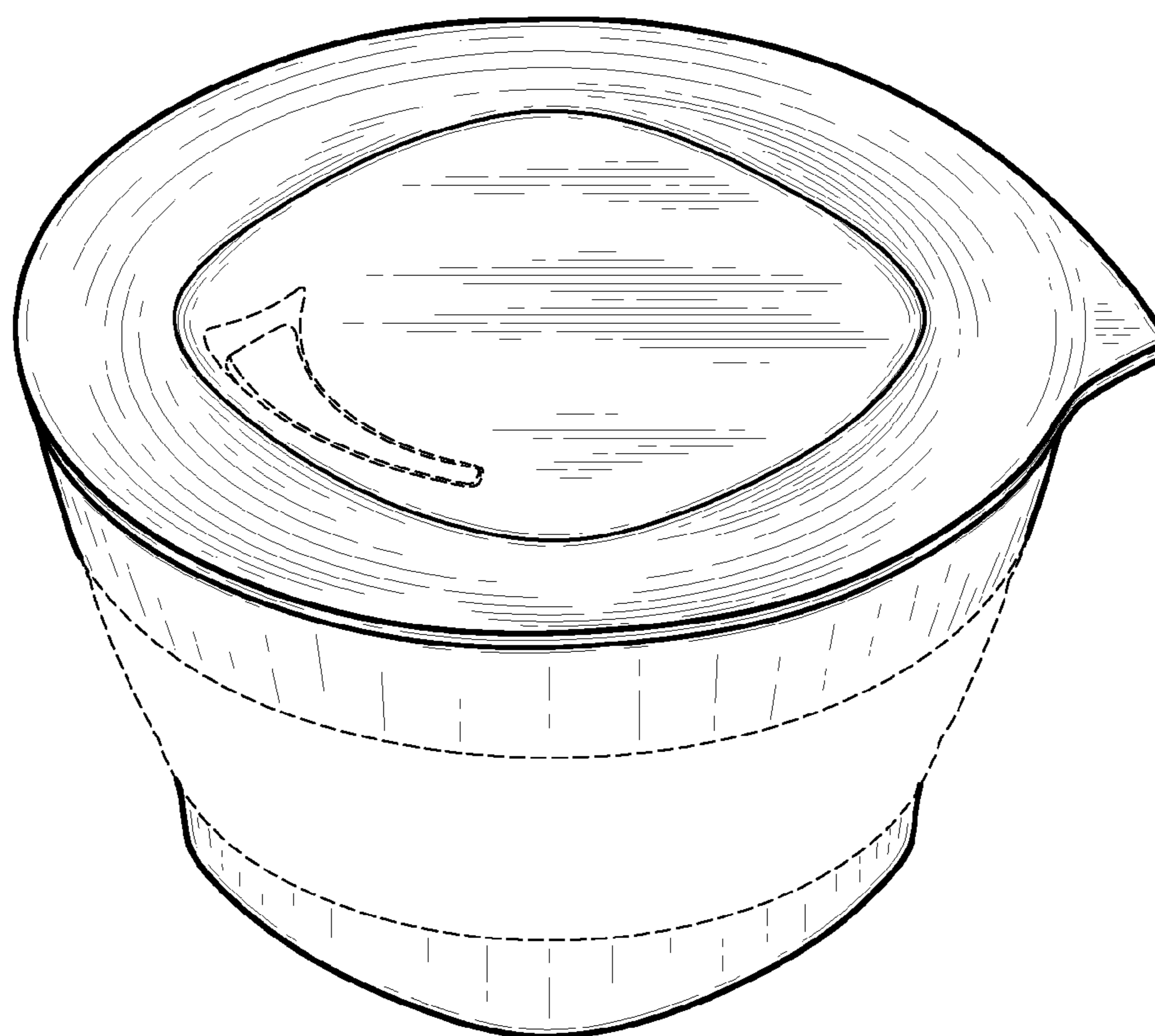


Fig. 1

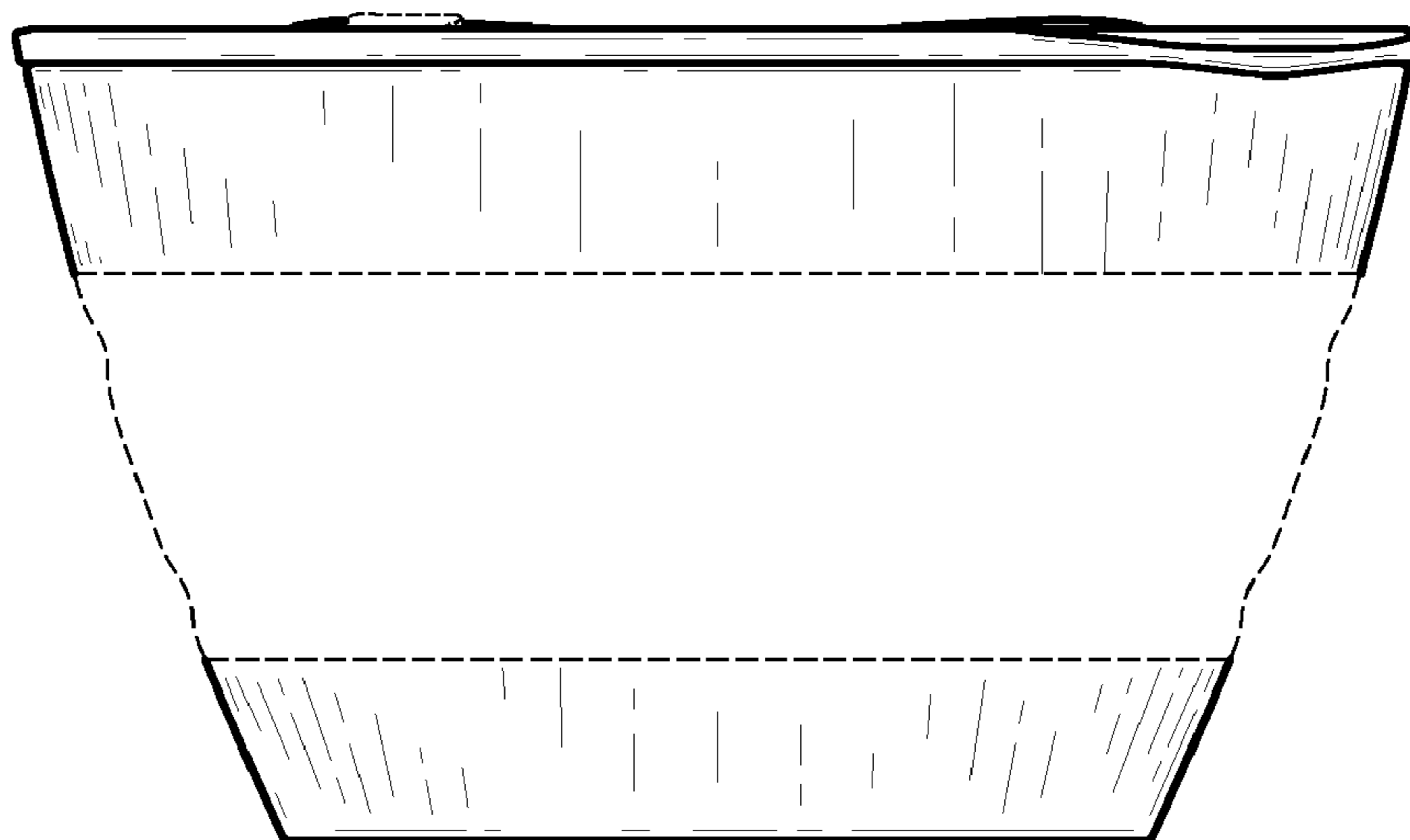


Fig. 2

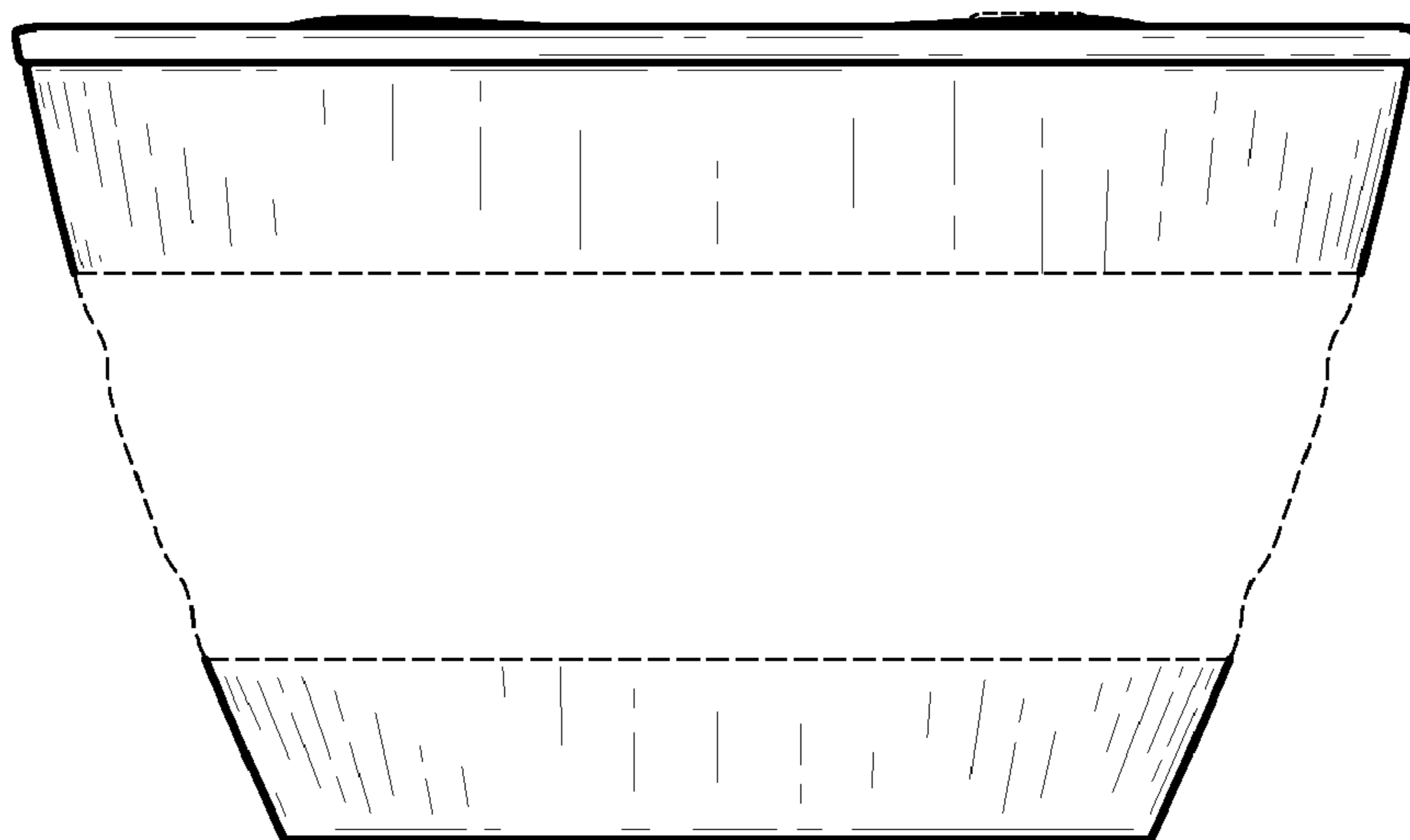


Fig. 3

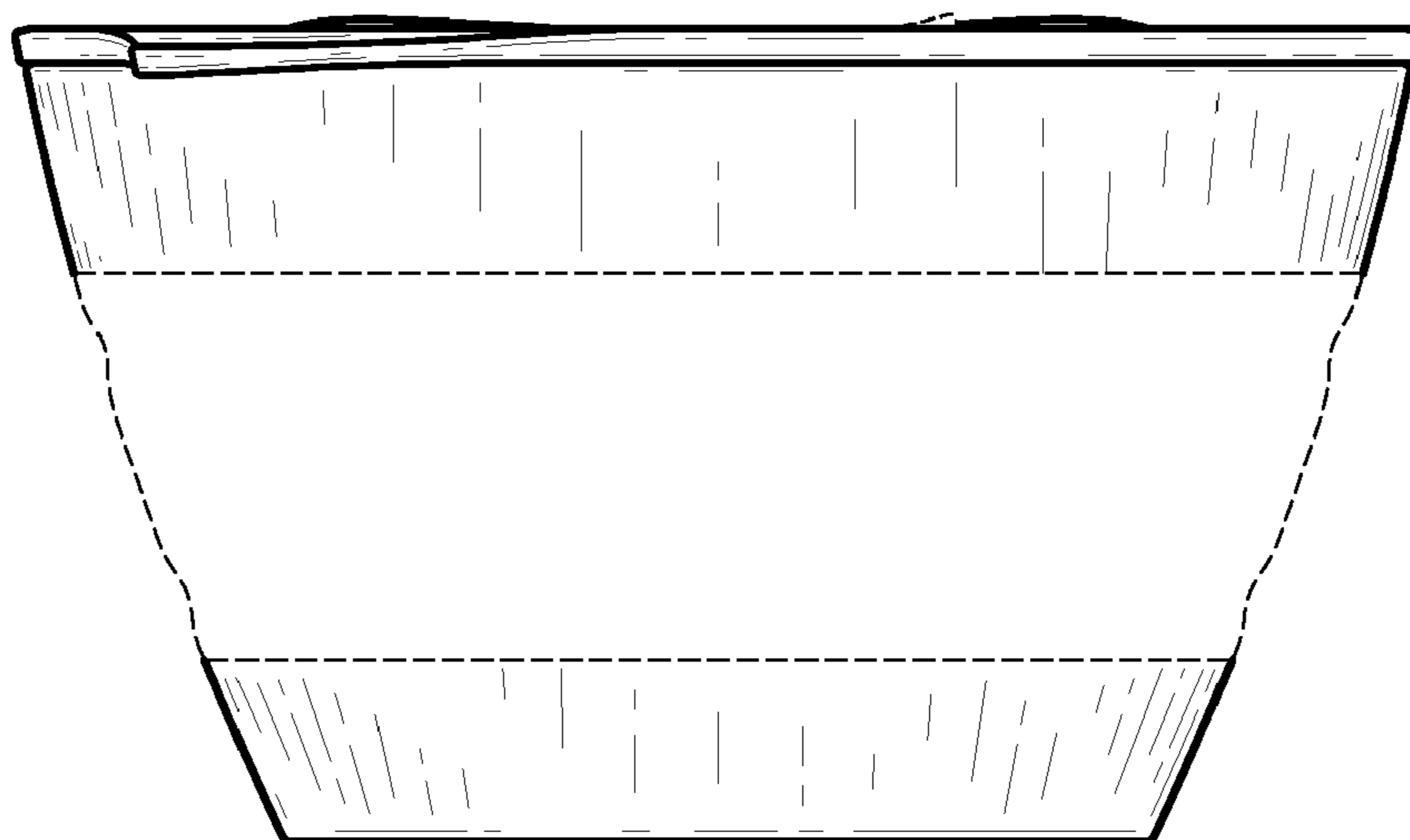


Fig. 4

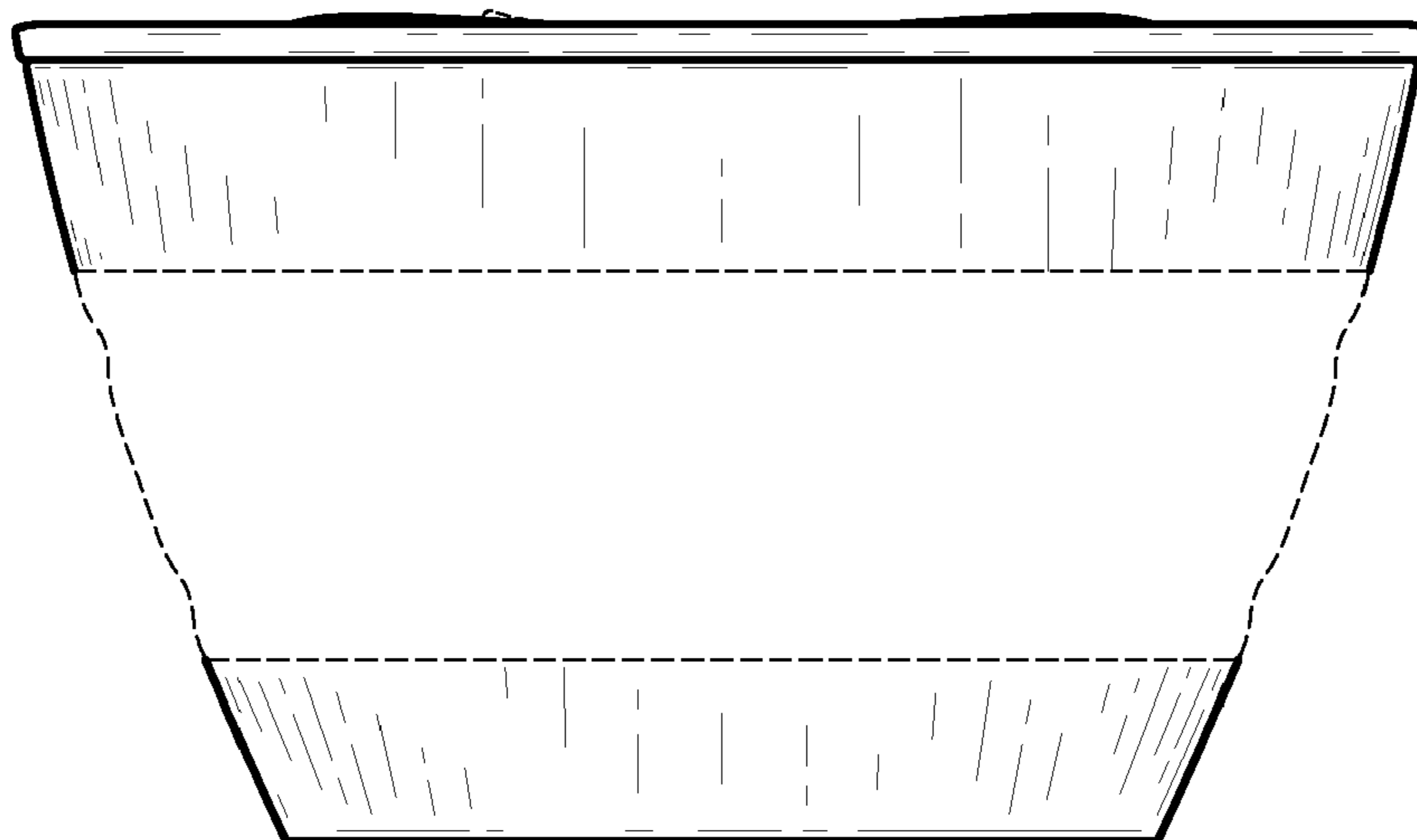


Fig. 5

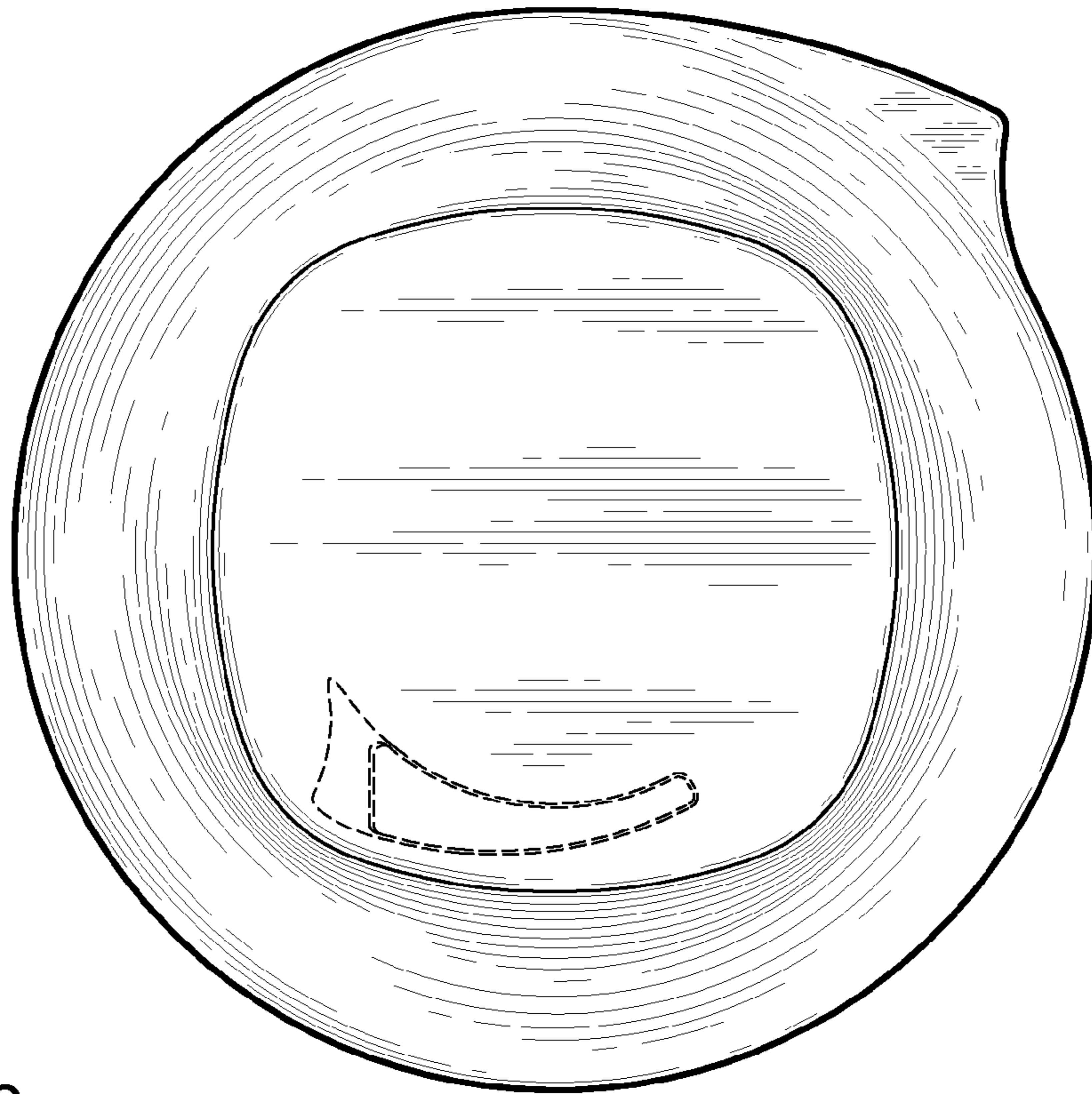


Fig. 6

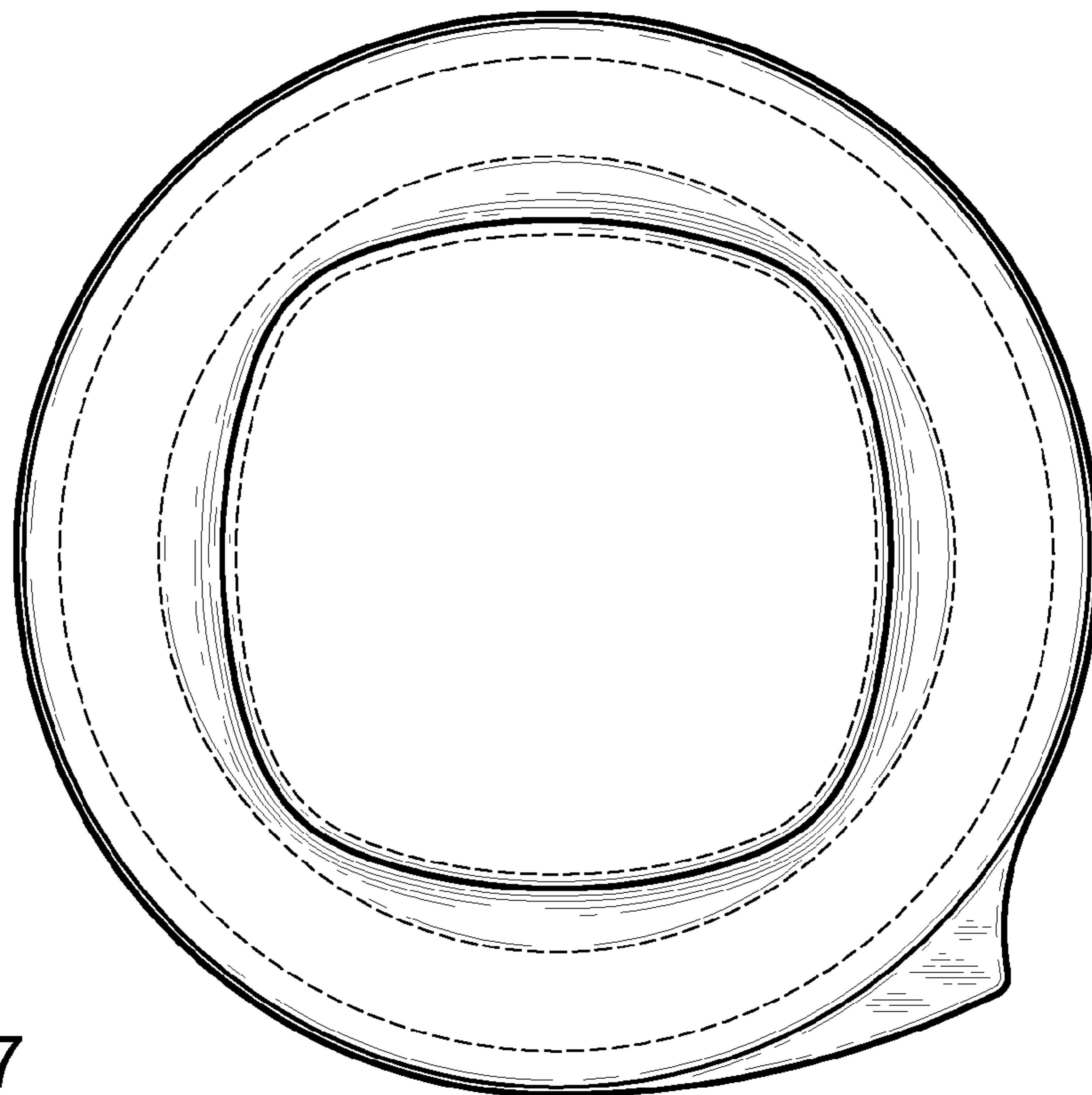


Fig. 7