

US00D653503S

(12) **United States Design Patent**
Chen

(10) **Patent No.:** **US D653,503 S**
(45) **Date of Patent:** **** Feb. 7, 2012**

(54) **SUPPORTING FRAME FOR SUPPORTING CUP-LIKE OBJECTS**

6,457,691 B1 * 10/2002 Kao 248/311.2
D538,608 S * 3/2007 Goodman et al. D7/704
2004/0216372 A1 * 11/2004 Voogt 47/39

(76) Inventor: **Fang-Yin Chen**, Taichung Hsien (TW)

* cited by examiner

(**) Term: **14 Years**

Primary Examiner — Terry Wallace

(21) Appl. No.: **29/389,139**

(57) **CLAIM**

(22) Filed: **Apr. 7, 2011**

The ornamental design for a supporting frame for supporting cup-like objects, as shown and described.

(51) **LOC (9) Cl.** **07-06**

(52) **U.S. Cl.** **D7/600.1; D6/566**

(58) **Field of Classification Search** D7/619.1–625,
D7/600.1–600.4, 590, 704; D6/408, 463,
D6/515, 462, 417, 535, 552, 556, 566, 567,
D6/517, 553; 211/59.2, 181.1, 74, 71.01,
211/14, 13.1, 49.1, 59.1, 85.11, 106; 206/499;
47/39, 47, 41.14

DESCRIPTION

See application file for complete search history.

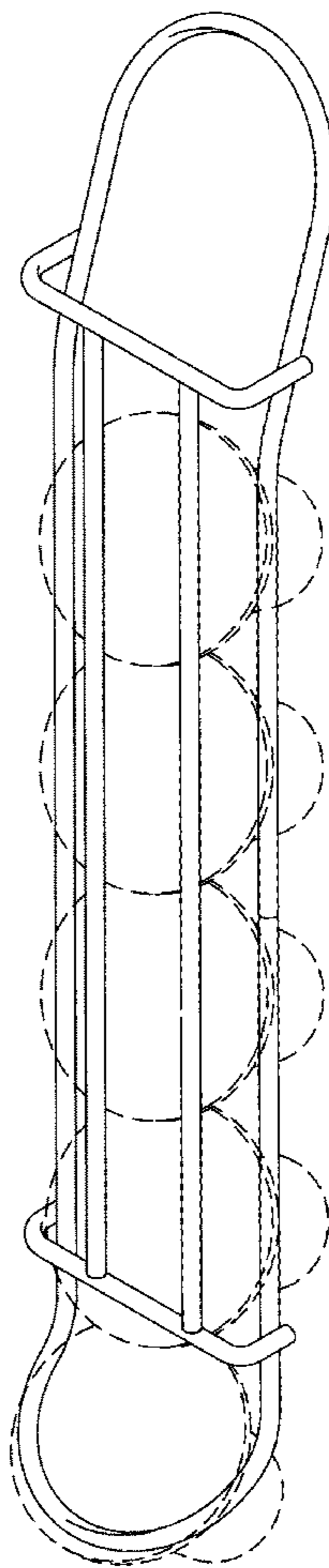
FIG. 1 is a perspective view of a supporting frame for supporting cup-like objects showing my new design
FIG. 2 is a front elevational view thereof
FIG. 3 is a rear elevational view thereof.
FIG. 4 is a left side view thereof
FIG. 5 is a right side view thereof
FIG. 6 is a top plan view thereof
FIG. 7 is a bottom plan view thereof; and,
FIG. 8 is a perspective view showing the application of the present invention, where those indicated by dashed lines are not claimed.

(56) **References Cited**

U.S. PATENT DOCUMENTS

D250,776 S * 1/1979 Hard D6/566
D361,449 S * 8/1995 Rittenberg D6/462
D461,987 S * 8/2002 Smith D6/566

1 Claim, 5 Drawing Sheets



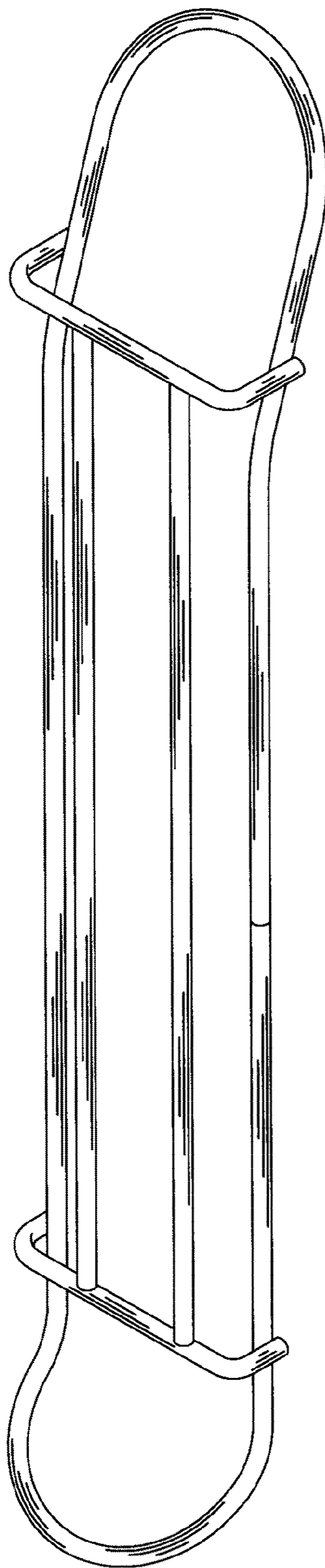


FIG. 1

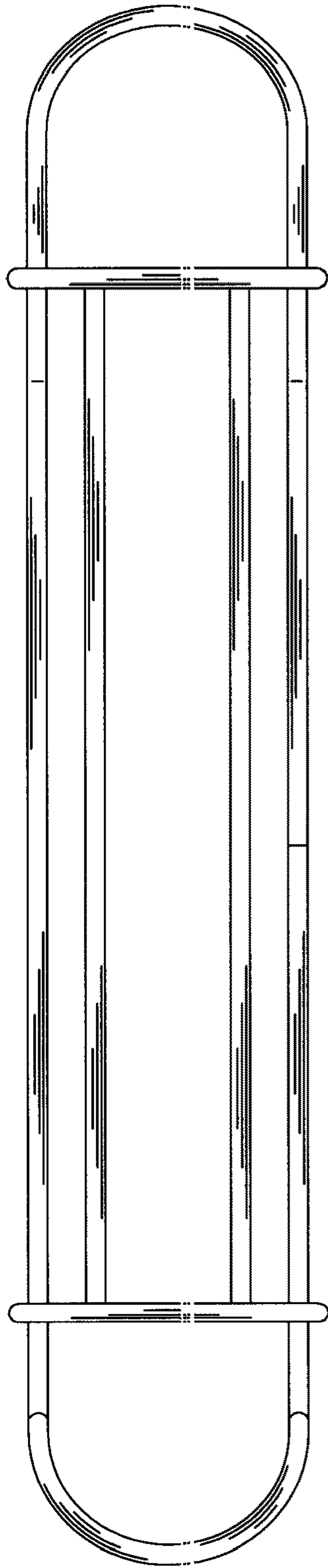


FIG. 2

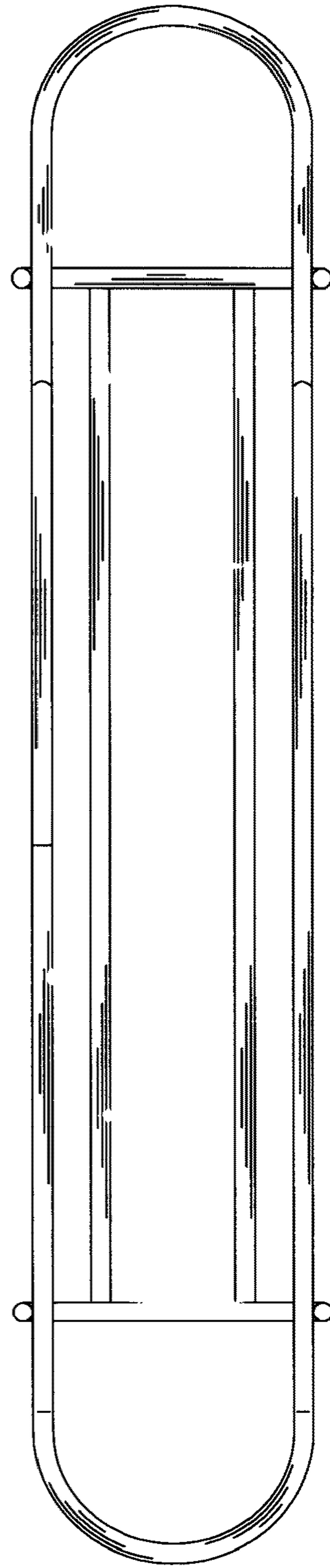


FIG. 3

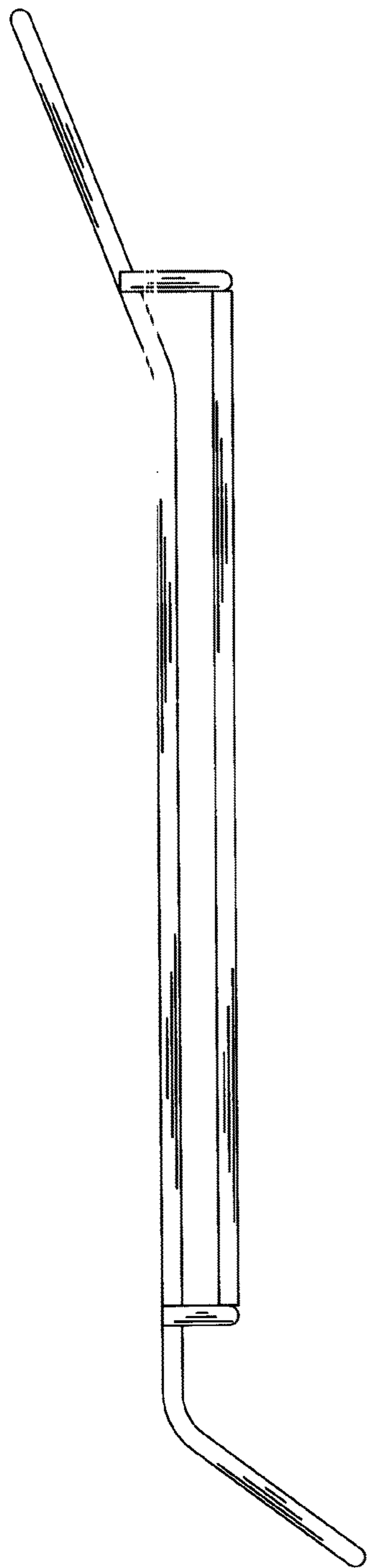


FIG. 4

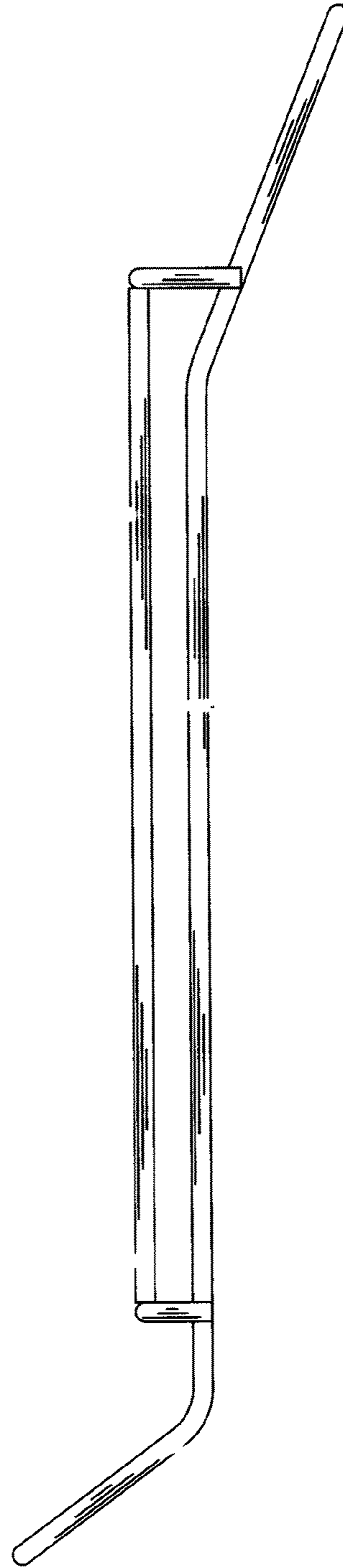


FIG. 5

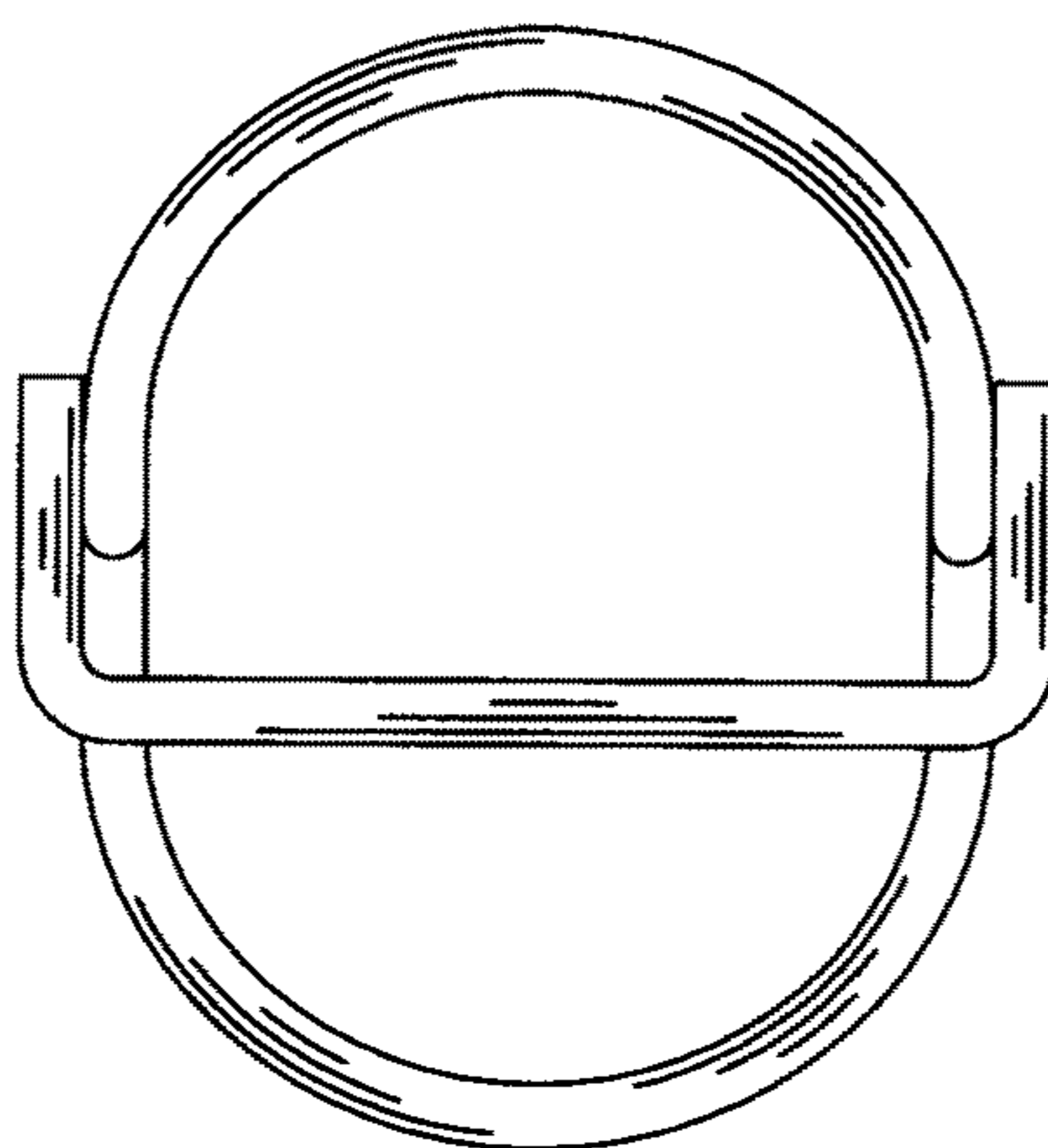


FIG. 6

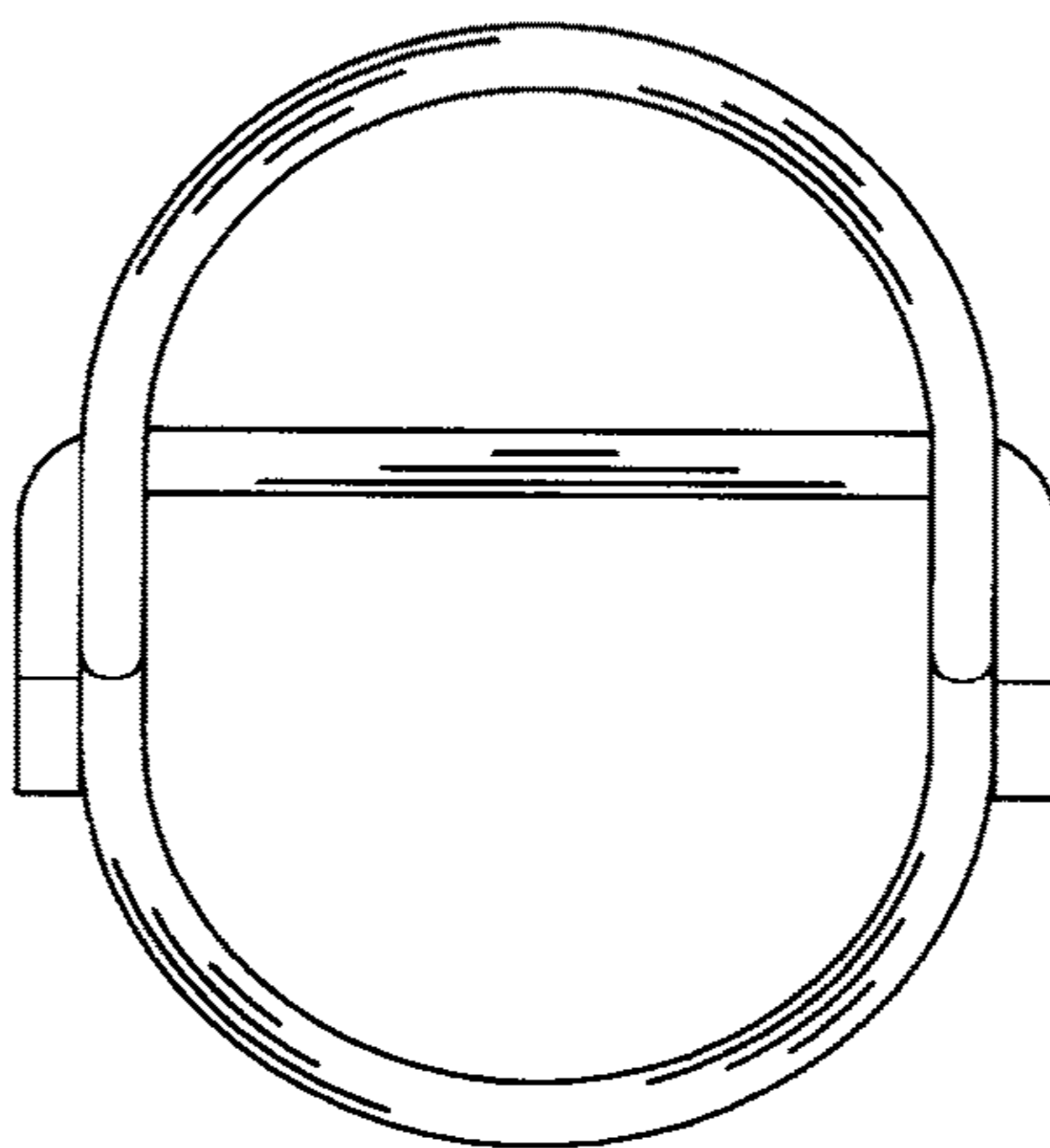


FIG. 7

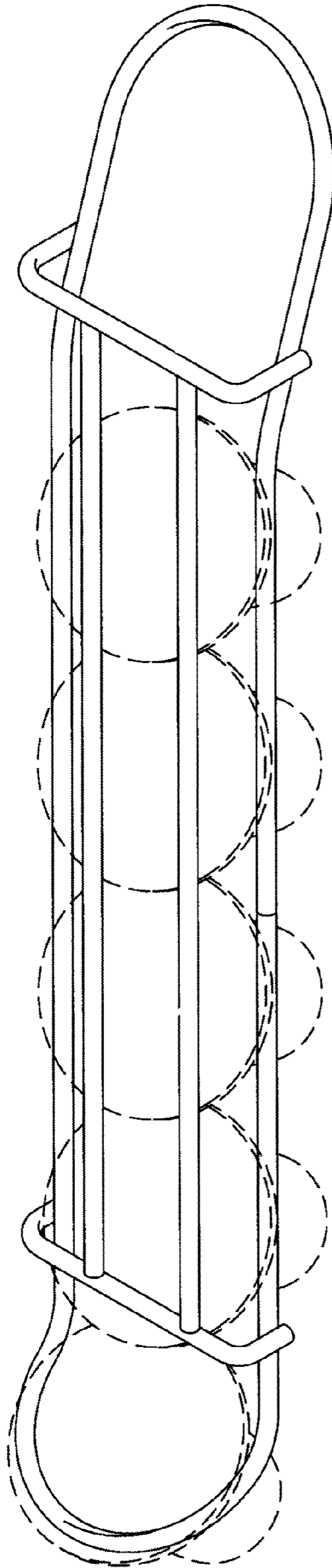


FIG. 8