



US00D653501S

(12) **United States Design Patent**
Landsberger

(10) **Patent No.:** **US D653,501 S**

(45) **Date of Patent:** **** Feb. 7, 2012**

(54) **ENCLOSURE**

(76) **Inventor:** **Joshua Landsberger**, Elk Grove Village, IL (US)

(**) **Term:** **14 Years**

(21) **Appl. No.:** **29/380,953**

(22) **Filed:** **Dec. 14, 2010**

(51) **LOC (9) Cl.** **07-02**

(52) **U.S. Cl.** **D7/406**

(58) **Field of Classification Search** D7/402,
D7/403, 405, 406, 407; D10/109; D12/181,
D12/401; D20/10, 15, 19, 21, 41-43, 99;
40/348, 350, 375, 385, 386, 514, 518, 541,
40/584, 603, 604, 642, 610; 160/23.1
See application file for complete search history.

(56) **References Cited**

U.S. PATENT DOCUMENTS

3,146,824	A *	9/1964	Veilleux	160/23.1
D339,168	S *	9/1993	Gerhart et al.	D20/21
D354,039	S *	1/1995	Kuoppala	D12/401
D413,560	S *	9/1999	Sambell	D12/181
6,115,951	A *	9/2000	Jing et al.	40/610
D468,362	S *	1/2003	Zarelius	D20/99
D562,909	S *	2/2008	Meijer	D20/43
D592,706	S *	5/2009	Zarelius	D20/43
D592,707	S *	5/2009	Zarelius	D20/43

D598,501	S *	8/2009	Merner et al.	D20/43
D616,034	S *	5/2010	Carlsson et al.	D20/43
D645,090	S *	9/2011	Gimpel et al.	D20/10
2010/0139135	A1 *	6/2010	Taylor et al.	40/541

* cited by examiner

Primary Examiner — T. Chase Nelson

Assistant Examiner — Mark Cavanna

(74) *Attorney, Agent, or Firm* — Lowenstein Sandler PC

(57) **CLAIM**

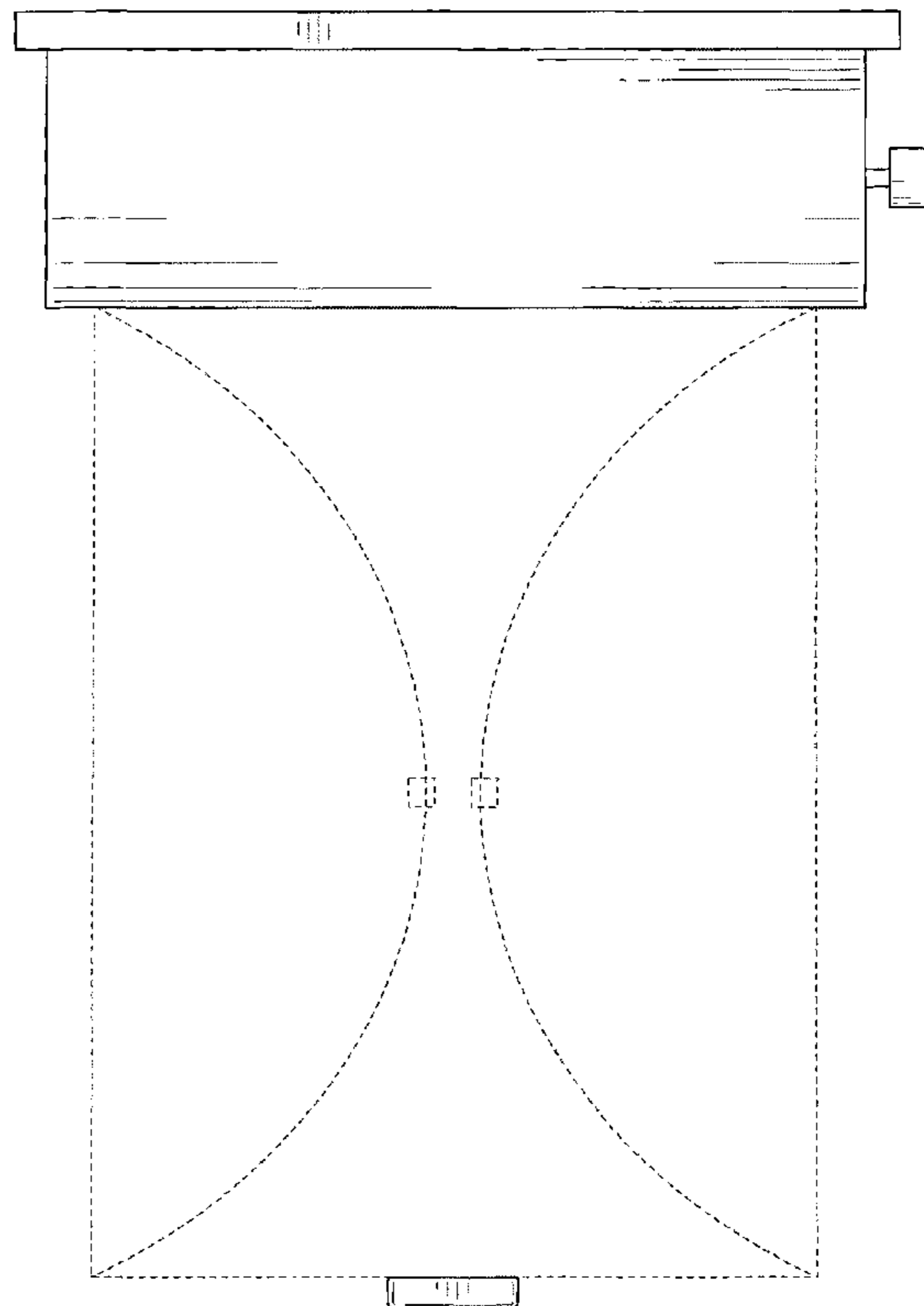
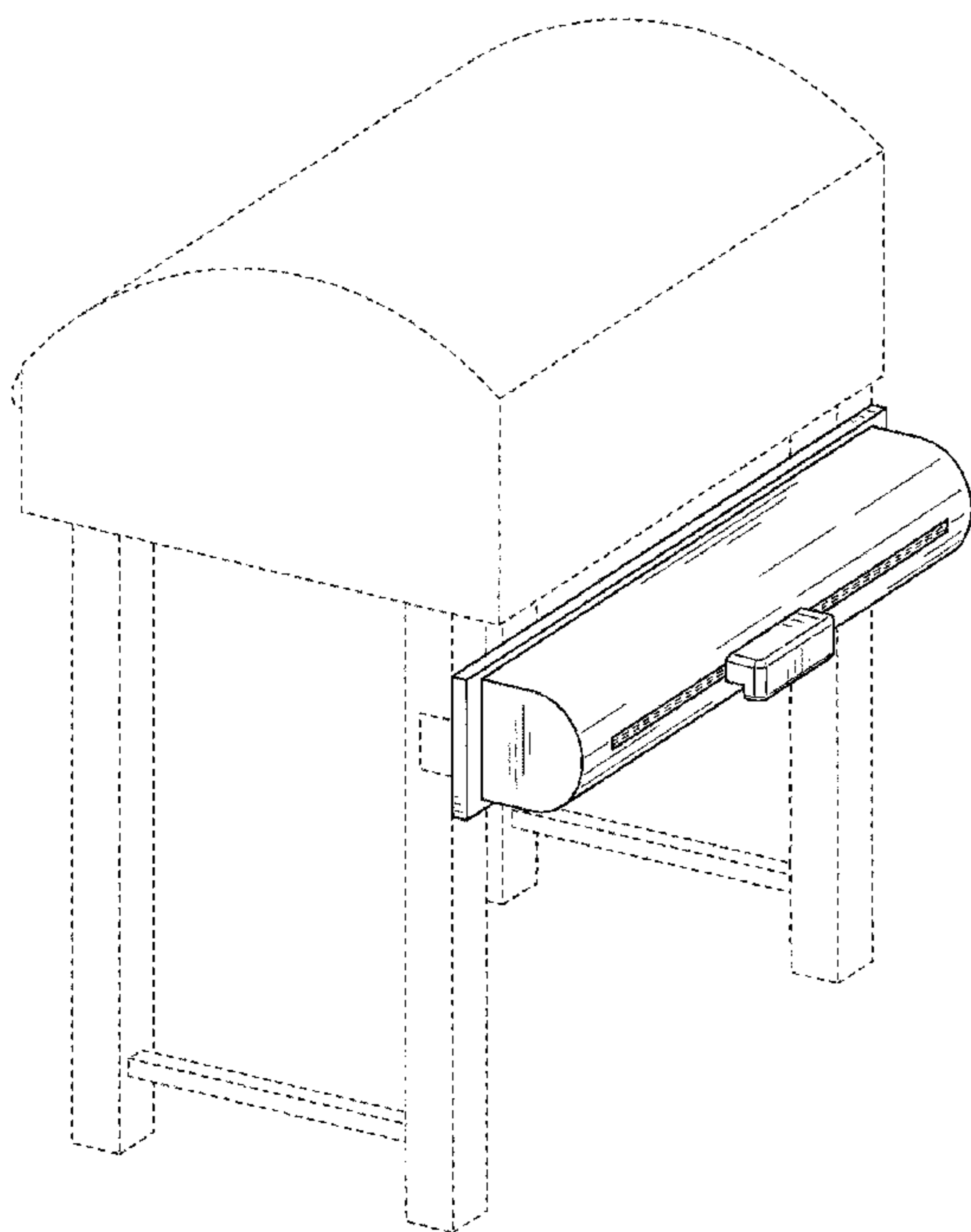
The ornamental design for an enclosure, as shown and described.

DESCRIPTION

FIG. 1 is a perspective view of an enclosure in accordance with an embodiment of our new design;
FIG. 2 is a front view thereof;
FIG. 3 is a back view thereof;
FIG. 4 is a left side view thereof;
FIG. 5 is a right side view thereof
FIG. 6 is a top plan view thereof;
FIG. 7 is a bottom plan view thereof; and,
FIG. 8 is a top view of the enclosure shown in a condition of use.

The broken lines are included for the purpose of illustrating portions of the enclosure that form no part of the claimed design.

1 Claim, 4 Drawing Sheets



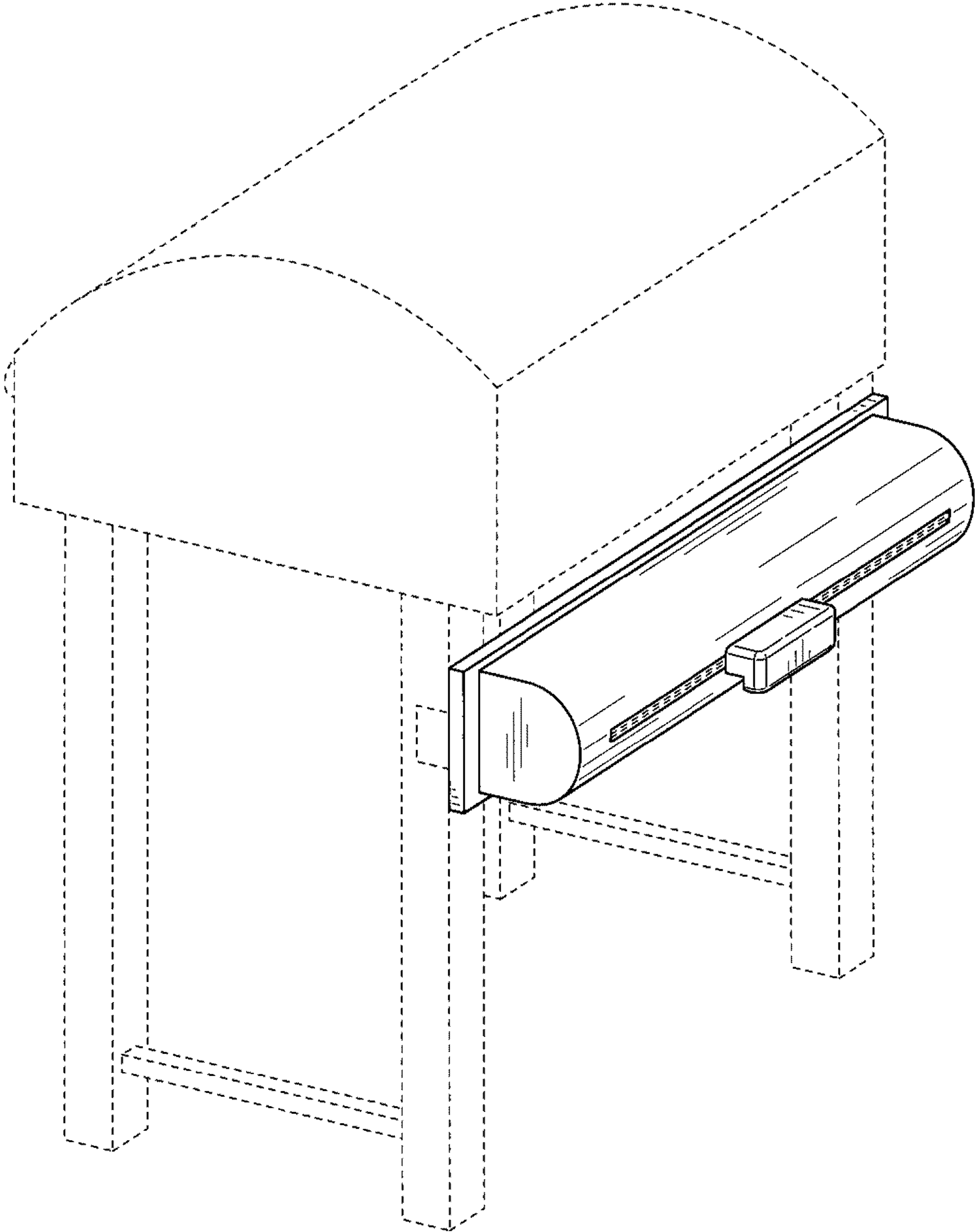


FIG. 1

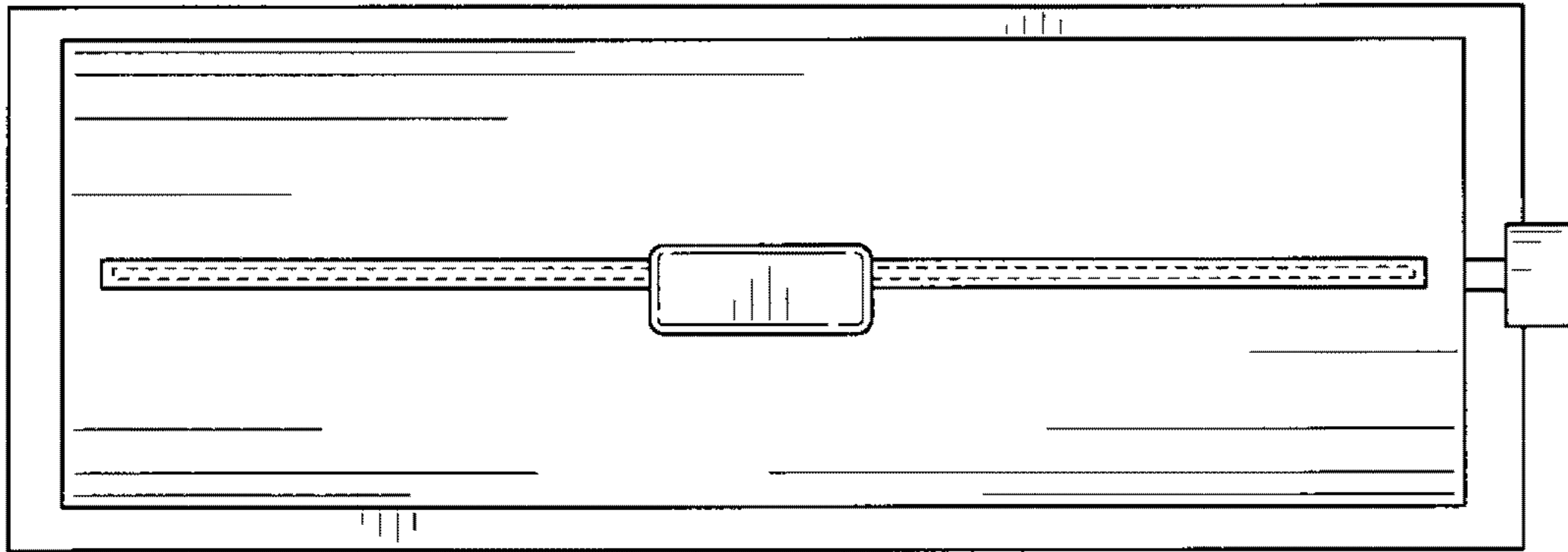


FIG. 2

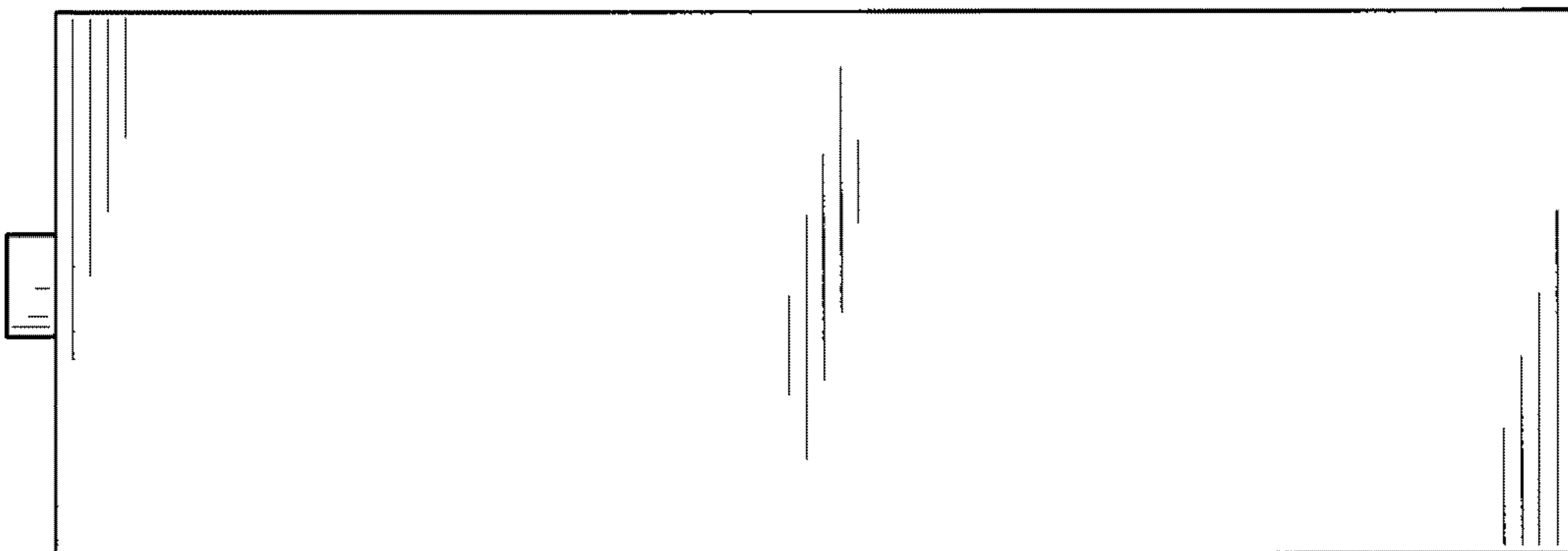


FIG. 3

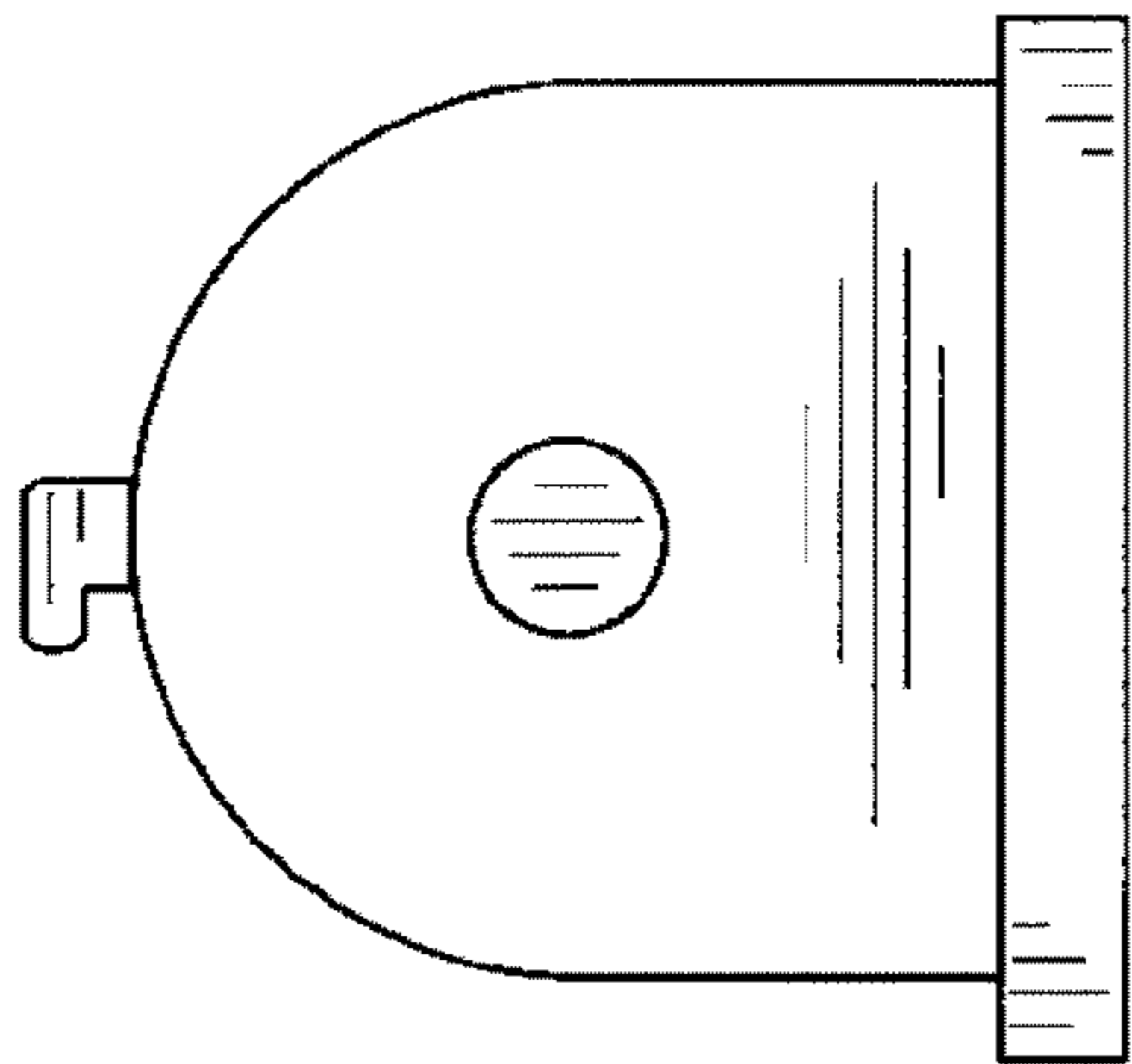


FIG. 4

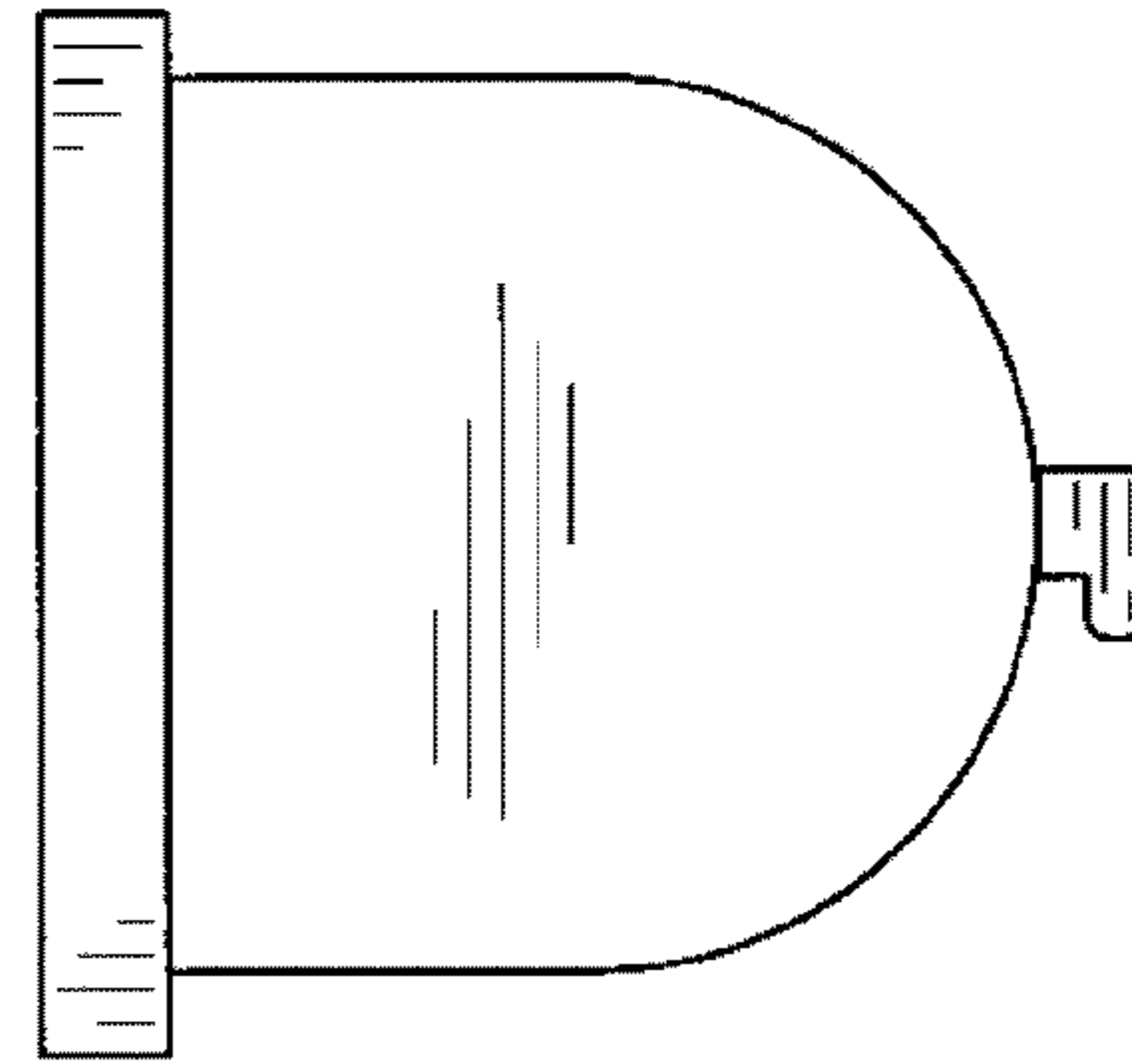


FIG. 5

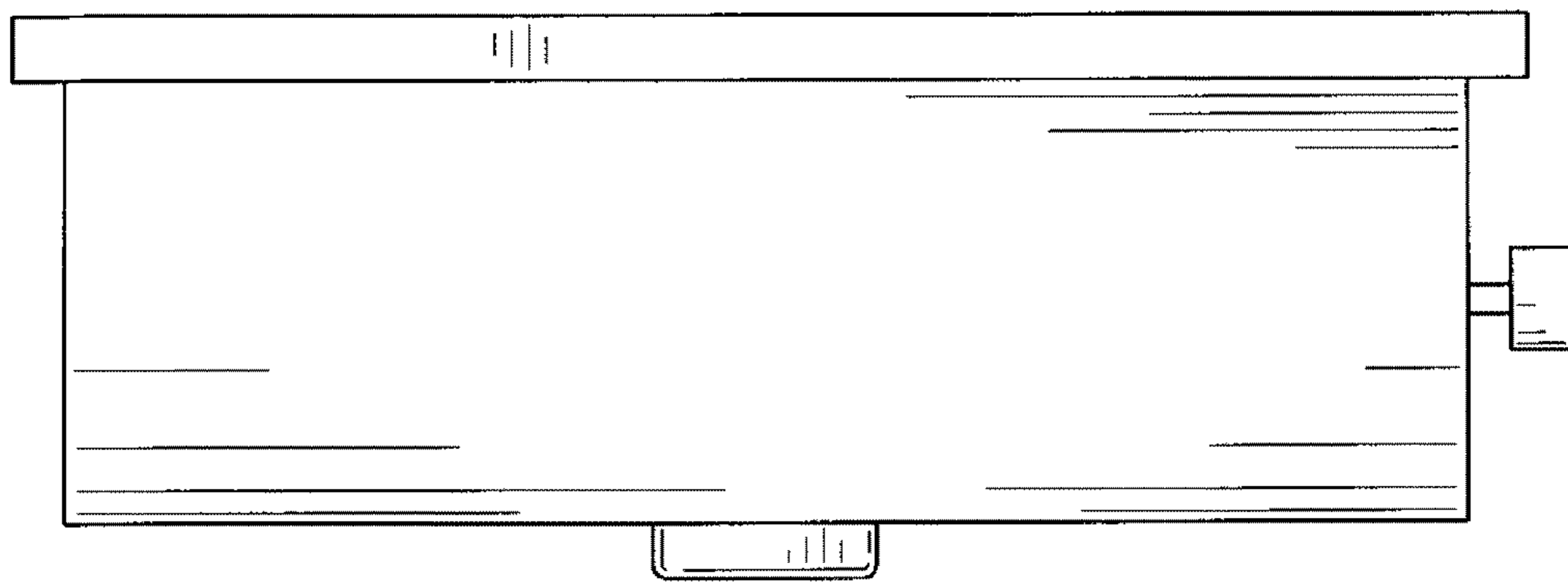


FIG. 6

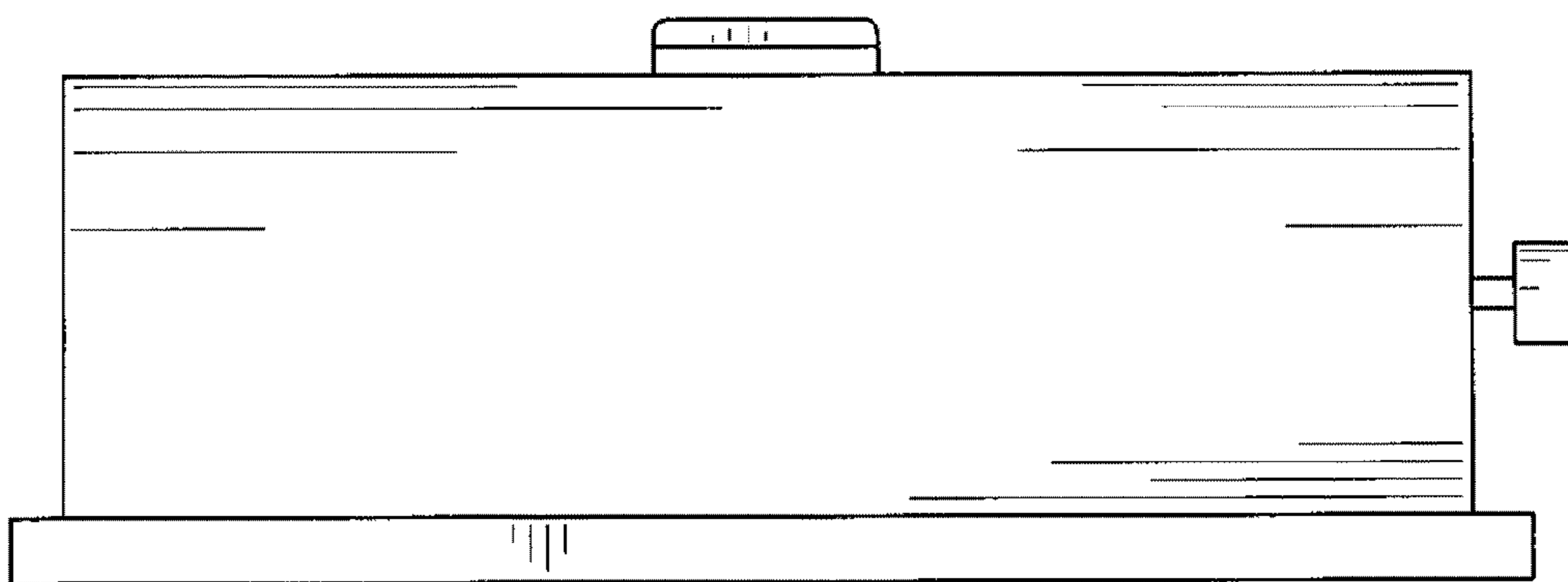


FIG. 7

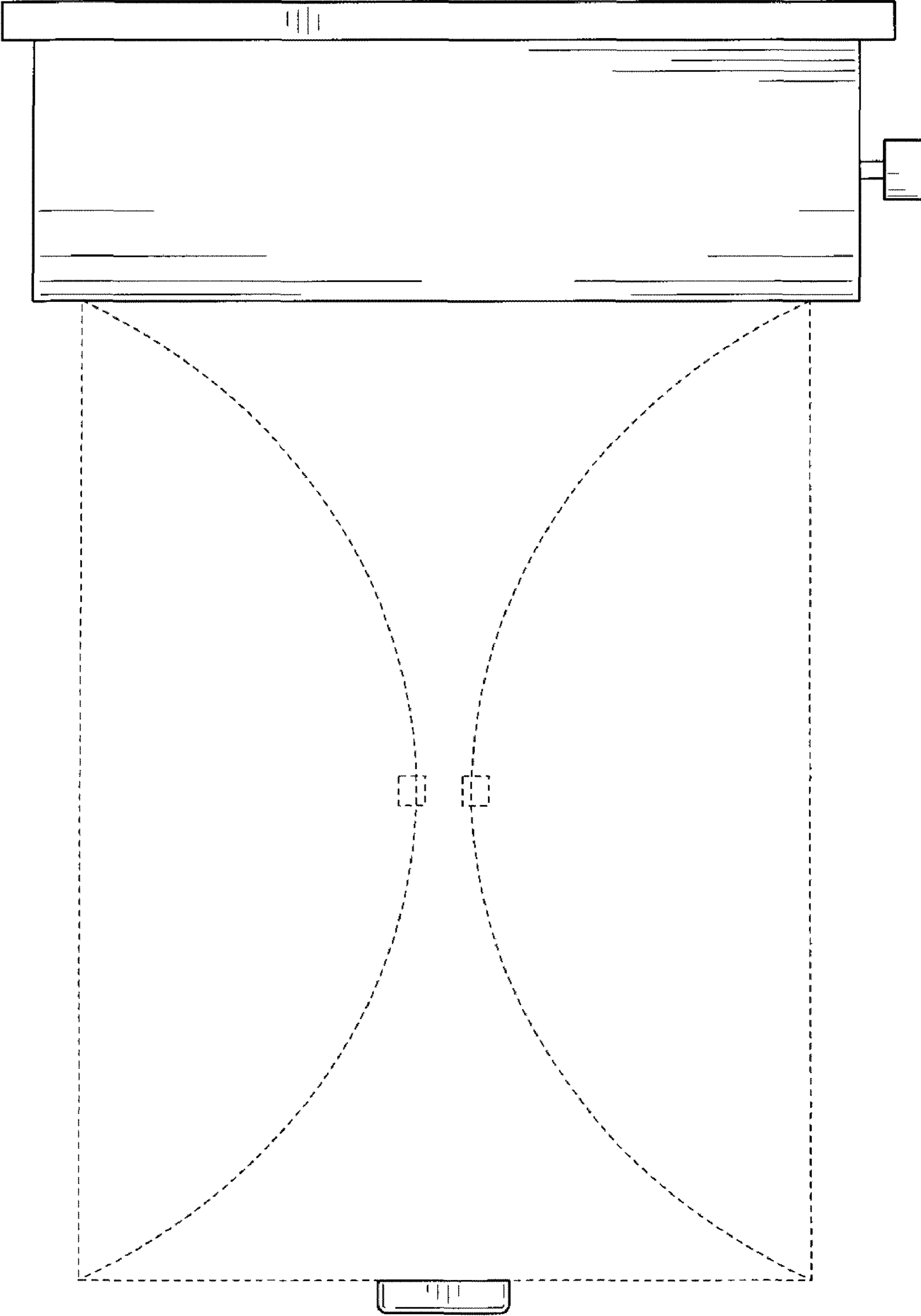


FIG. 8