

US00D653498S

(12) **United States Design Patent**  
**Bond**

(10) **Patent No.:** **US D653,498 S**

(45) **Date of Patent:** **\*\* Feb. 7, 2012**

(54) **TOP FOR A POPCORN MAKER**  
(75) Inventor: **Gregg Bond**, Beverly Hills, CA (US)  
(73) Assignee: **Nostalgia Products Group, LLC**,  
Beverly Hills, CA (US)

(\*\*) Term: **14 Years**

(21) Appl. No.: **29/316,469**

(22) Filed: **Oct. 1, 2009**

(51) **LOC (9) Cl.** ..... **31-00**

(52) **U.S. Cl.** ..... **D7/387**

(58) **Field of Classification Search** ..... D7/387,  
D7/325, 323, 354-361, 500, 606; D34/14;  
D99/37; 34/588; 99/323.4-323.9, 442; 219/433,  
219/441, 728-731, 735, 745; 220/252;  
426/241-243, 100-107

See application file for complete search history.

(56) **References Cited**

**U.S. PATENT DOCUMENTS**

2,134,682	A *	11/1938	Burch	.....	99/323.7
4,785,875	A *	11/1988	Meijer et al.	.....	165/104.25
5,419,238	A *	5/1995	Pinone	.....	99/323.6
D432,352	S *	10/2000	Giacomet	.....	D7/387
D551,016	S *	9/2007	Bond	.....	D7/325
D552,405	S *	10/2007	Bond	.....	D7/325

D628,847	S *	12/2010	Liu	.....	D7/325
D629,284	S *	12/2010	Loftus	.....	D8/354
D632,123	S *	2/2011	Kauer	.....	D7/325

\* cited by examiner

*Primary Examiner* — Cynthia Underwood

(74) *Attorney, Agent, or Firm* — Blakely, Sokoloff, Taylor & Zafman

(57) **CLAIM**

The ornamental design of a top for a popcorn maker, as shown and described.

**DESCRIPTION**

FIG. 1 is a perspective view of a top for a popcorn maker, with the broken lines representing the environment of use and forming no part of the claim;

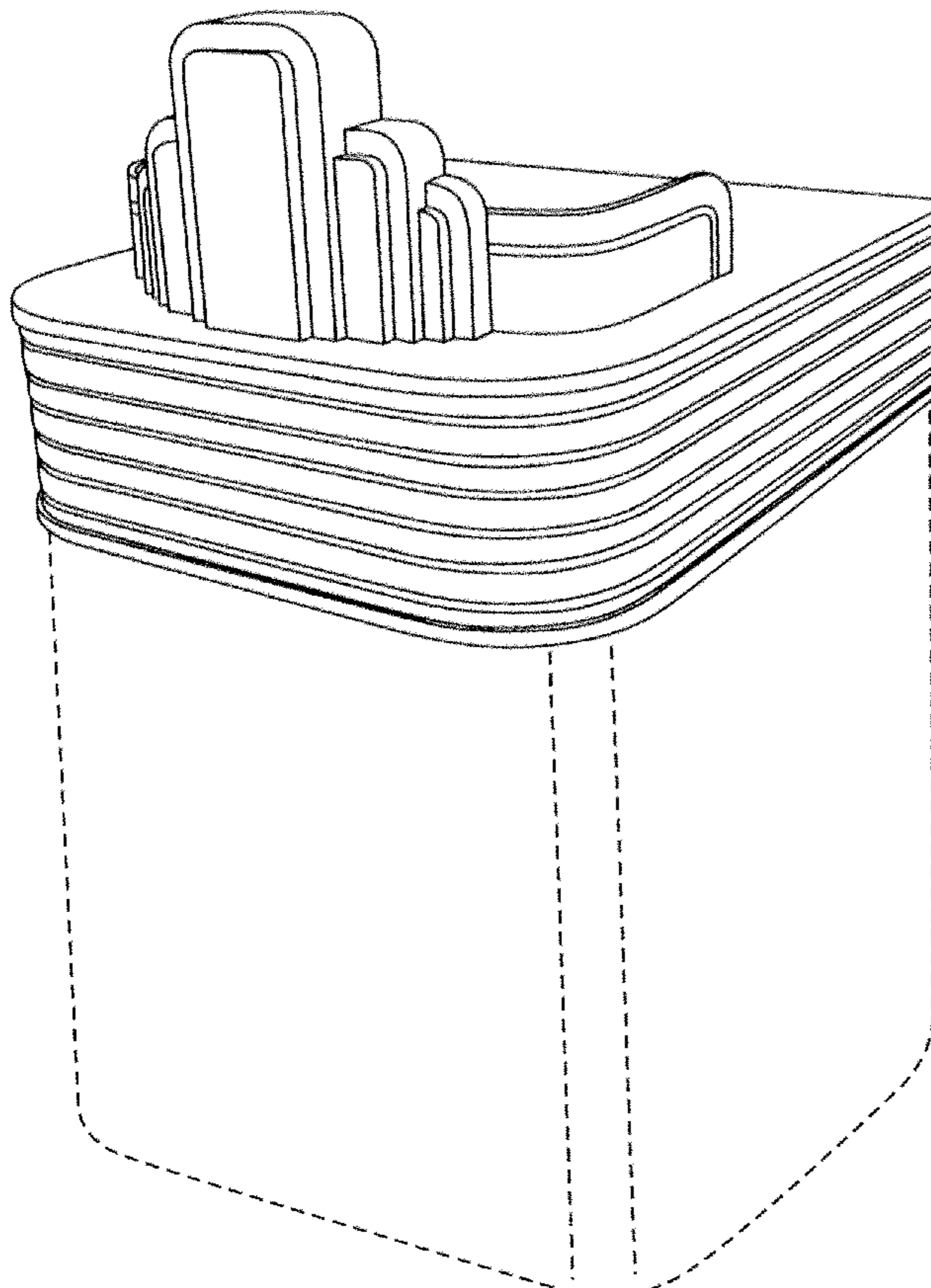
FIG. 2 is a front elevational view of the top for a popcorn maker thereof;

FIG. 3 is a right side elevational view of the top for a popcorn maker thereof; a left side elevational view, not shown is a mirror image of said right side elevational view;

FIG. 4 is a top elevational view of the top for a popcorn maker thereof; and,

FIG. 5 is a rear elevation view of a top for a popcorn maker with the broken lines representing unclaimed portions of the structure.

**1 Claim, 5 Drawing Sheets**



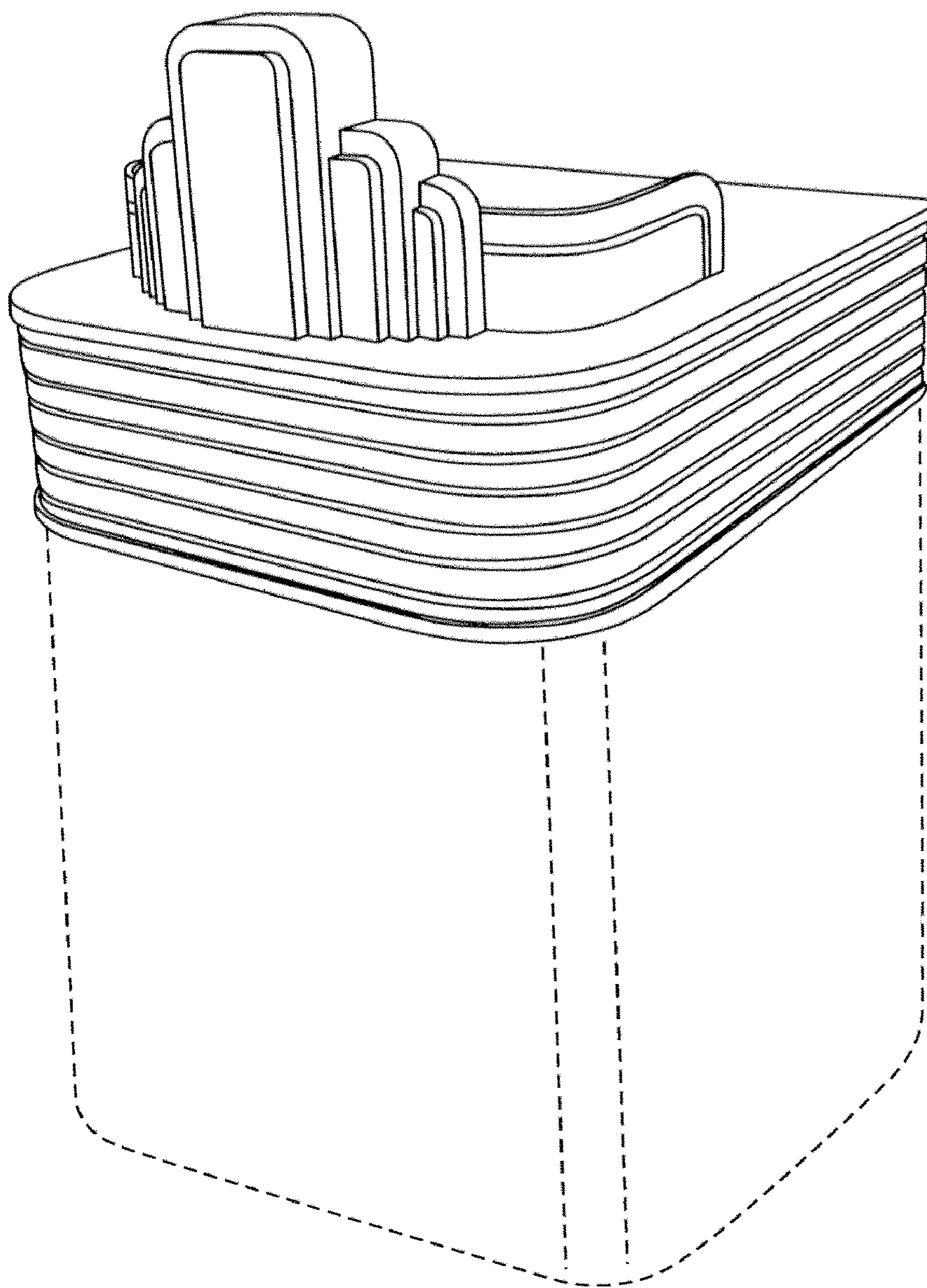


FIG. 1

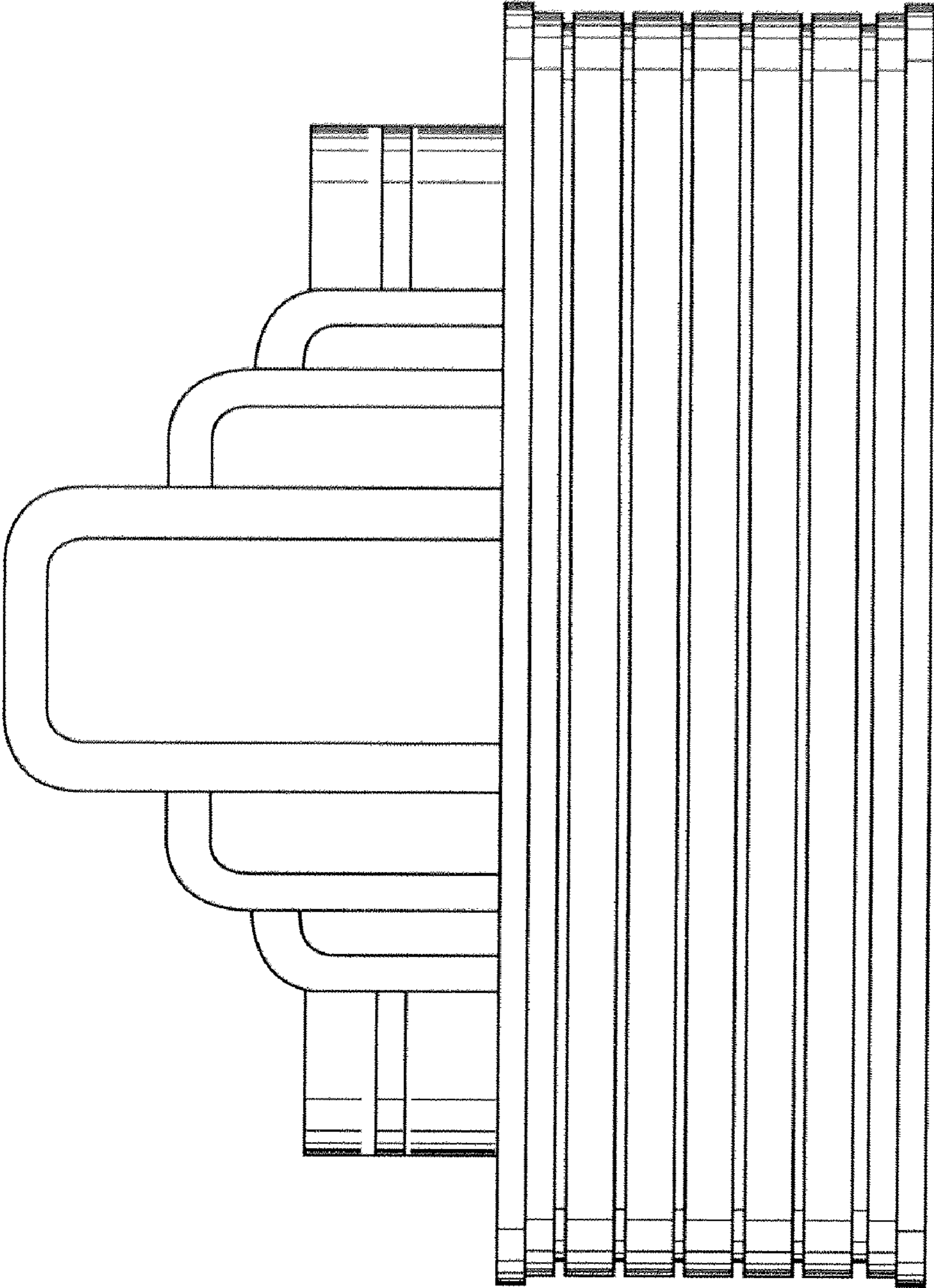


FIG. 2



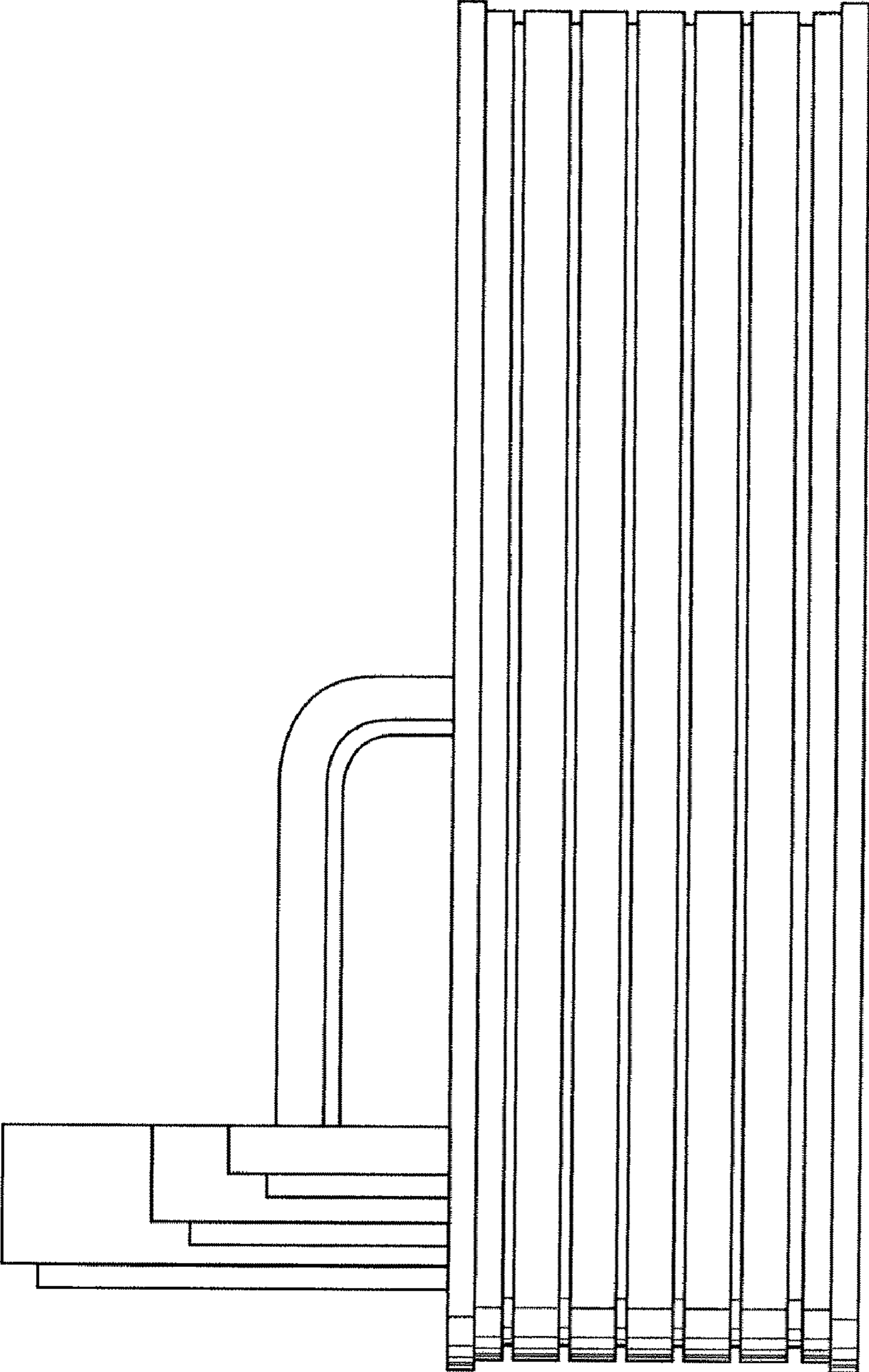


FIG. 3

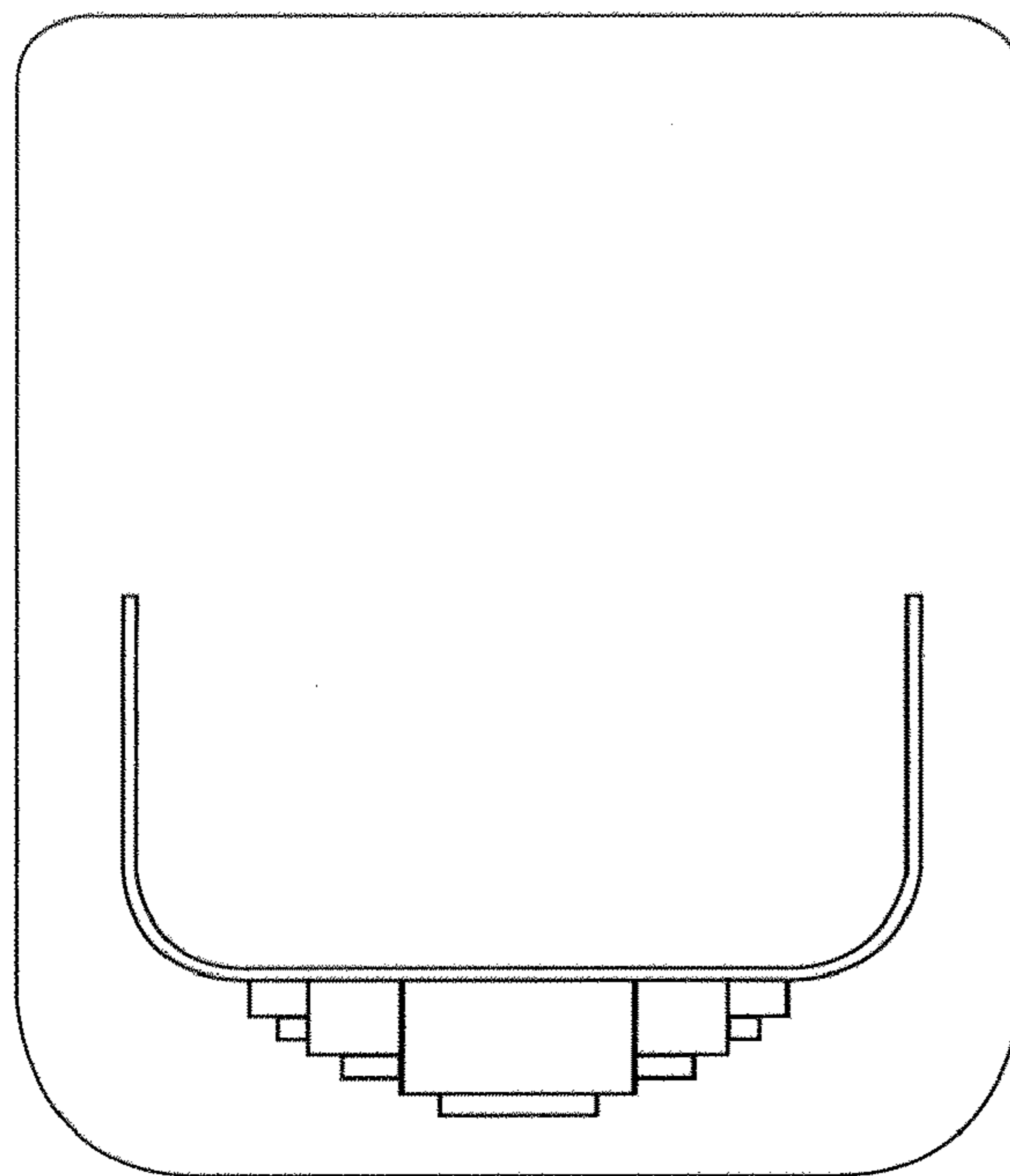


FIG. 4

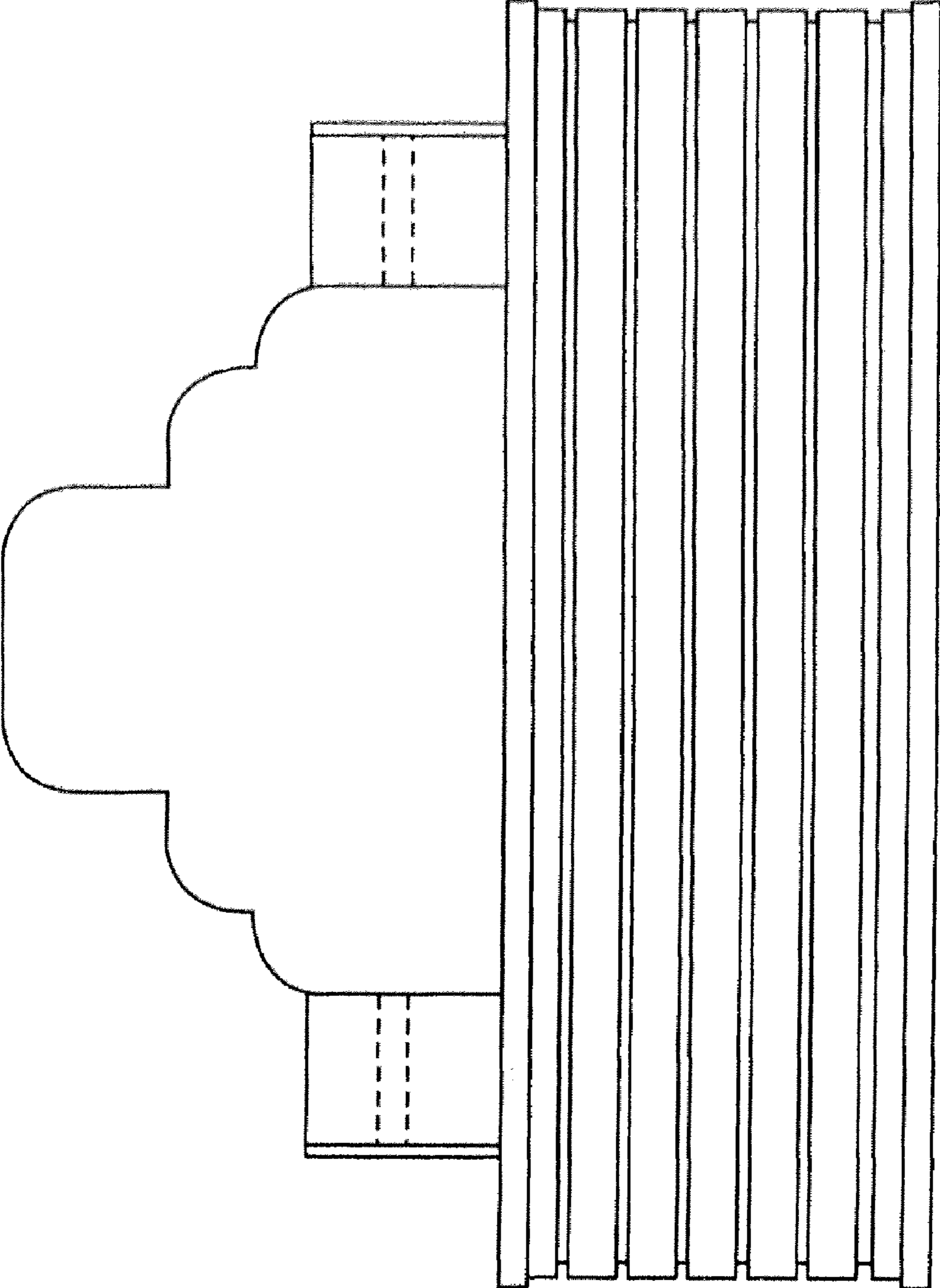


FIG. 5

UNITED STATES PATENT AND TRADEMARK OFFICE  
Certificate

Patent No. D. 653,498 S

Patented: February 7, 2012

On petition requesting issuance of a certificate for correction of inventorship pursuant to 35 U.S.C. 256, it has been found that the above identified patent, through error and without any deceptive intent, improperly sets forth the inventorship.

Accordingly, it is hereby certified that the correct inventorship of this patent is: Gregg Bond, Beverly Hills, CA (US); and Edward Boughton, Camarillo, CA (US).

Signed and Sealed this Ninth Day of April 2013.

ROBERT M. SPEAR  
*Supervisory Patent Examiner*  
Art Unit 2915  
Technology Center 2900