



US00D653496S

(12) **United States Design Patent**
Henry

(10) **Patent No.:** **US D653,496 S**

(45) **Date of Patent:** **** Feb. 7, 2012**

(54) **BAKING DISH**

(75) Inventor: **Jacques Henry**, Marcigny (FR)

(73) Assignee: **Emile Henry**, Marcigny (FR)

(**) Term: **14 Years**

(21) Appl. No.: **29/393,787**

(22) Filed: **Jun. 9, 2011**

(30) **Foreign Application Priority Data**

Jan. 20, 2011 (DM) 075175

(51) **LOC (9) Cl.** **07-02**

(52) **U.S. Cl.** **D7/354**

(58) **Field of Classification Search** D7/323,
D7/329-332, 337, 339, 346-347, 350.1-350.4,
D7/354-363, 387, 391-393, 395, 402, 409,
D7/538, 542-549, 554.2, 552.2, 554.3, 566,
D7/570, 584-587, 601-602, 610, 667, 698;
D9/761; 99/279, 324-325, 330-332, 337-340,
99/369, 403-425, 444, 450; 126/25 A, 41 R,
126/275 R, 380.1, 390.1; 206/501-505,
206/507-508; 219/400, 405, 435-442, 620-624,
219/725, 730-735, 754-755; 220/4.26, 485,
220/491, 573.1-573.5, 574, 607, 658, 676,
220/759, 771, 912; 229/110, 406; 249/61,
249/127, 163; 426/438, 441, 523

See application file for complete search history.

(56) **References Cited**

U.S. PATENT DOCUMENTS

D261,715 S *	11/1981	Daenen	D7/586
D287,559 S *	1/1987	Daenen et al.	D7/586
D289,844 S *	5/1987	Daenen et al.	D7/354
D350,669 S *	9/1994	Conti	D7/360
D365,501 S *	12/1995	Daugherty et al.	D7/602
D415,935 S *	11/1999	Martinez	D7/602
D429,442 S *	8/2000	Laib	D7/387
D442,425 S *	5/2001	Wyche	D7/360
D533,080 S *	12/2006	Darin	D9/761
D553,444 S *	10/2007	de Groote et al.	D7/602
D578,352 S *	10/2008	Hauser	D7/552.2
D631,299 S *	1/2011	Samartgis	D7/602
D643,251 S *	8/2011	Stamper et al.	D7/602

* cited by examiner

Primary Examiner — Ricky Pham

(74) *Attorney, Agent, or Firm* — Abelman, Frayne & Schwab

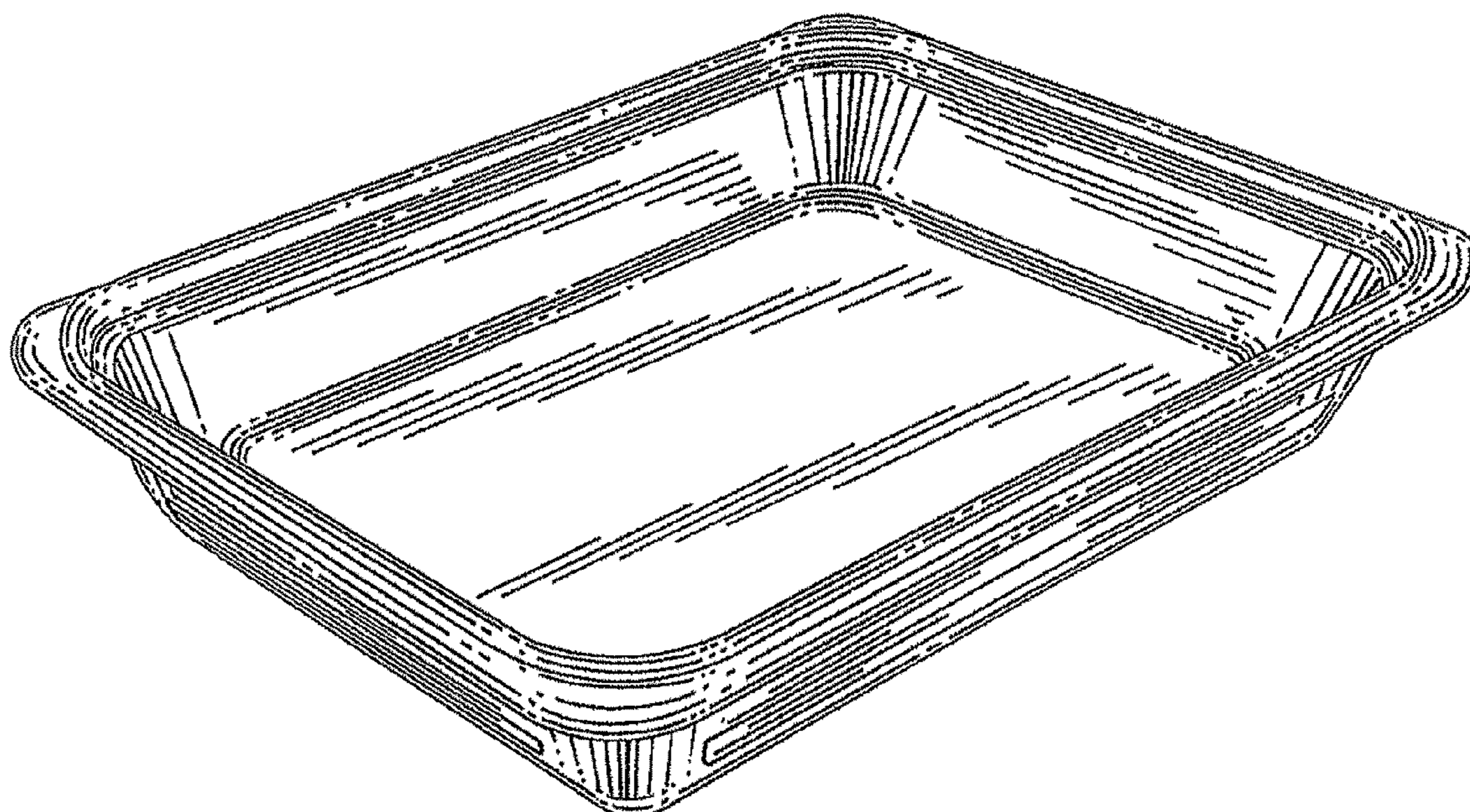
(57) **CLAIM**

The ornamental design for a baking dish, as shown and described.

DESCRIPTION

FIG. 1 is a top, front and left side perspective view of the baking dish of my new design;
FIG. 2 is a front elevation view thereof, the rear elevation being a mirror image;
FIG. 3 is a left side elevation view thereof, the right side elevation being a mirror image thereof;
FIG. 4 is a top view thereof; and,
FIG. 5 is a cross-section taken along line 5-5 of FIG. 4.

1 Claim, 5 Drawing Sheets



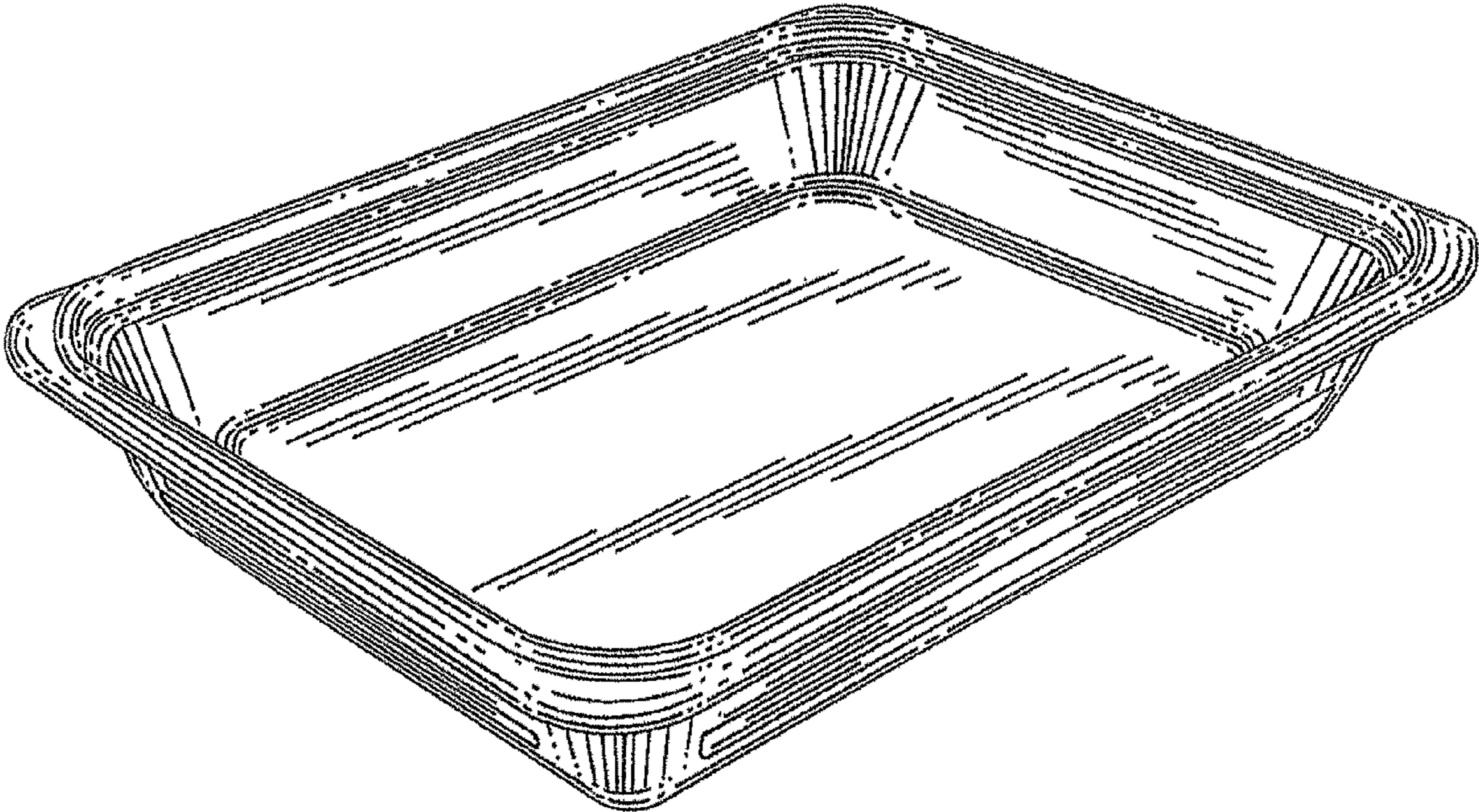


FIG. 1

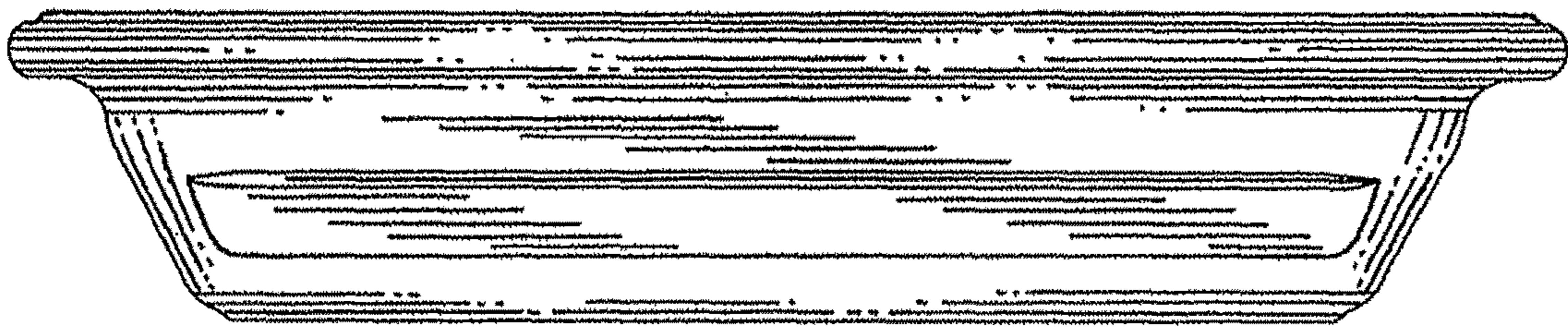


FIG. 2

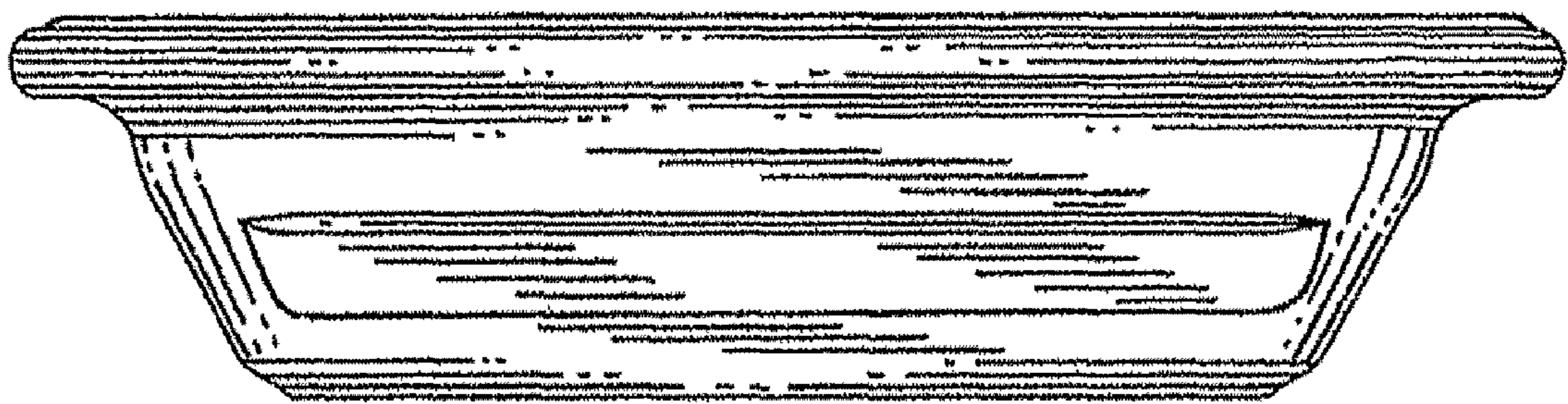


FIG. 3

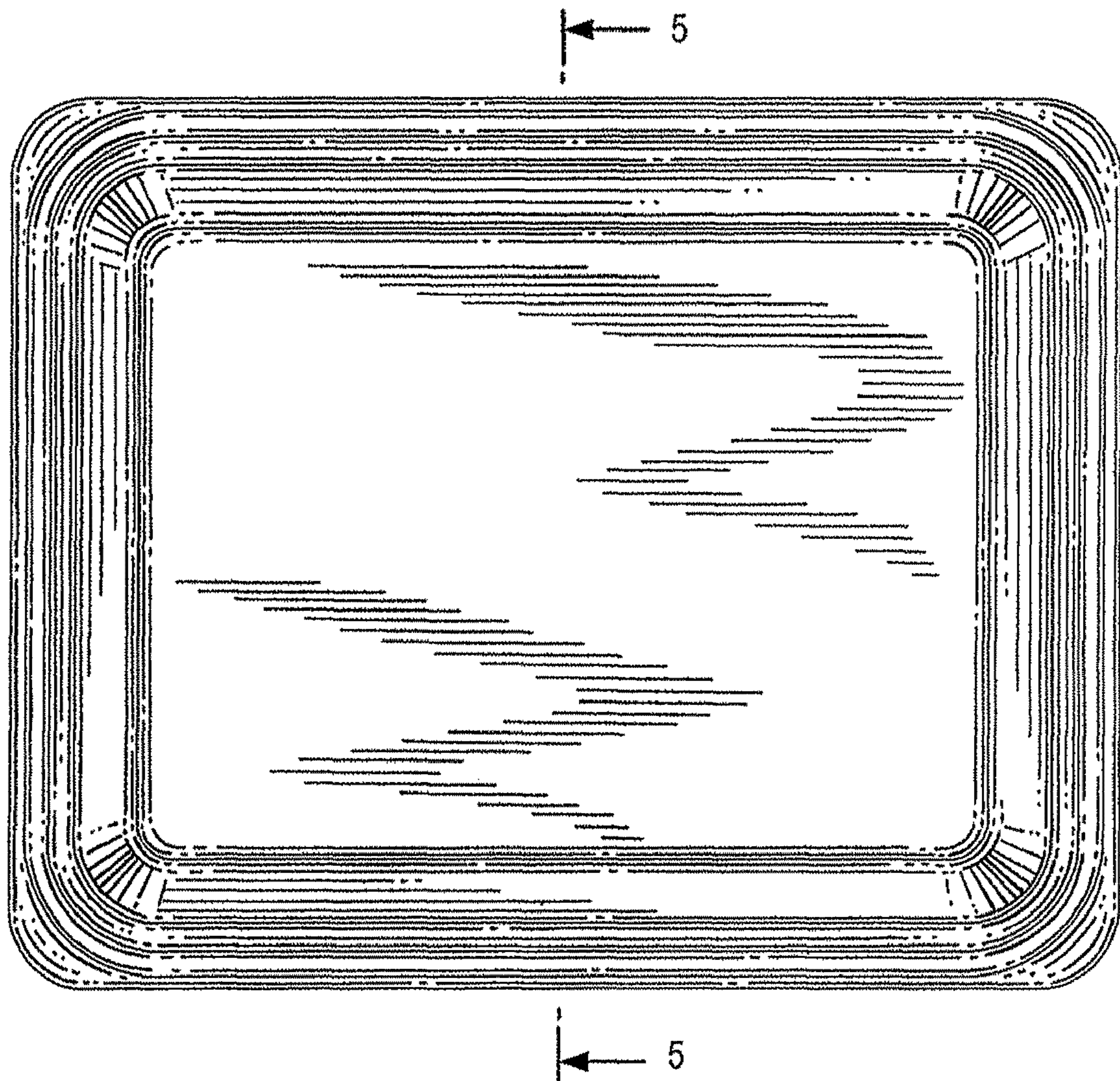


FIG. 4

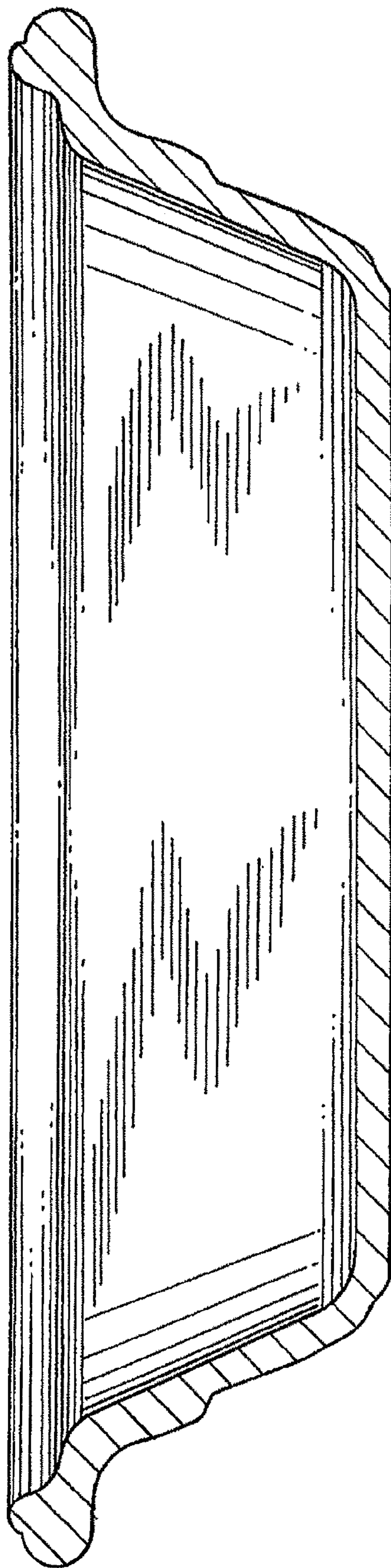


FIG. 5