



US00D653491S

(12) **United States Design Patent**
Nielsen

(10) **Patent No.:** **US D653,491 S**

(45) **Date of Patent:** **** Feb. 7, 2012**

(54) **STORAGE APPARATUS FOR MULTIMEDIA ITEMS**

(75) Inventor: **Britta Claire Nielsen**, Seattle, WA (US)

(73) Assignee: **Whalen Furniture Manufacturing, Inc.**, San Diego, CA (US)

(**) Term: **14 Years**

(21) Appl. No.: **29/357,977**

(22) Filed: **Mar. 19, 2010**

(51) **LOC (9) Cl.** **06-04**

(52) **U.S. Cl.** **D6/629**

(58) **Field of Classification Search** D6/629-630,
D6/407, 409-416, 449, 462-465, 466-467,
D6/396-397, 570-572; 108/29, 31, 59-60;
211/34, 36-37, 40, 41.12, 42; 206/307.1,
206/308.1, 445

See application file for complete search history.

(56) **References Cited**

U.S. PATENT DOCUMENTS

4,345,802	A *	8/1982	Sorensen	312/42
5,730,300	A *	3/1998	Chen	211/40
D405,309	S *	2/1999	Mok	D6/630
D405,990	S *	2/1999	Peng-Hui	D6/479
D409,865	S *	5/1999	West	D6/509
D433,264	S *	11/2000	Lindeqvist et al.	D6/631
D452,389	S *	12/2001	Scala et al.	D6/408
D458,504	S *	6/2002	Liu	D6/630
D510,225	S *	10/2005	Kwok	D6/629
D528,341	S *	9/2006	Lau	D6/630
D528,843	S *	9/2006	Kwok	D6/630
D560,080	S *	1/2008	Shoenberger et al.	D6/468
D585,665	S *	2/2009	Collins	D6/455
D610,371	S *	2/2010	Nielsen	D6/457

D616,220	S *	5/2010	Nielsen	D6/457
D616,221	S *	5/2010	Nielsen	D6/457
D616,222	S *	5/2010	Kohler	D6/457
D618,480	S *	6/2010	Kohler	D6/629
D619,406	S *	7/2010	Nielsen	D6/629
D619,407	S *	7/2010	Nielsen	D6/629
D625,124	S *	10/2010	Campbell	D6/457
D632,509	S *	2/2011	Perc	D6/479
D644,057	S *	8/2011	Nielsen	D6/629
2002/0063100	A1 *	5/2002	Kwang	211/40

* cited by examiner

Primary Examiner — Elizabeth Albert

Assistant Examiner — Kelley A Donnelly

(74) *Attorney, Agent, or Firm* — Barlow, Josephs & Holmes, Ltd.

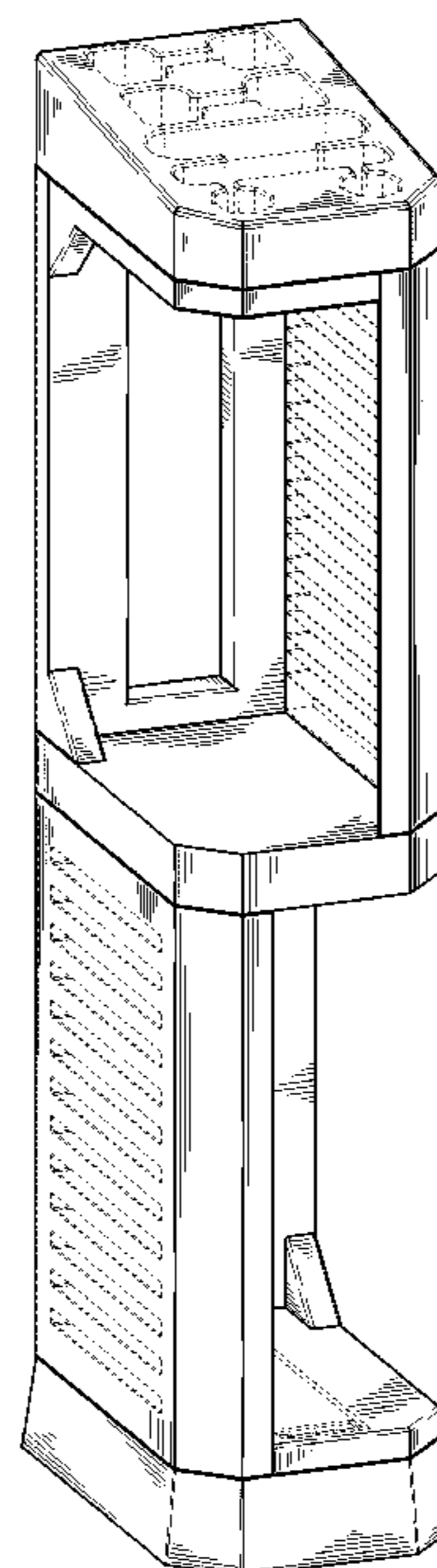
(57) **CLAIM**

An ornamental design for the storage apparatus for multimedia items, as shown and described.

DESCRIPTION

FIG. 1 is a first perspective view of a design for the storage apparatus for multimedia items;
FIG. 2 is a second perspective view of the design therefor;
FIG. 3 is a third perspective view of the design therefor;
FIG. 4 is a first side end view of the design therefor;
FIG. 5 is a second side end view of the design therefor, opposite the first side end view;
FIG. 6 is a front view of the design therefor;
FIG. 7 is a rear view of the design therefor;
FIG. 8 is a top plan view of the design therefor; and,
FIG. 9 is a bottom plan view of the design therefor.
The dashed lines in the drawings are shown for environmental purposes and form no part of the claimed design.

1 Claim, 7 Drawing Sheets



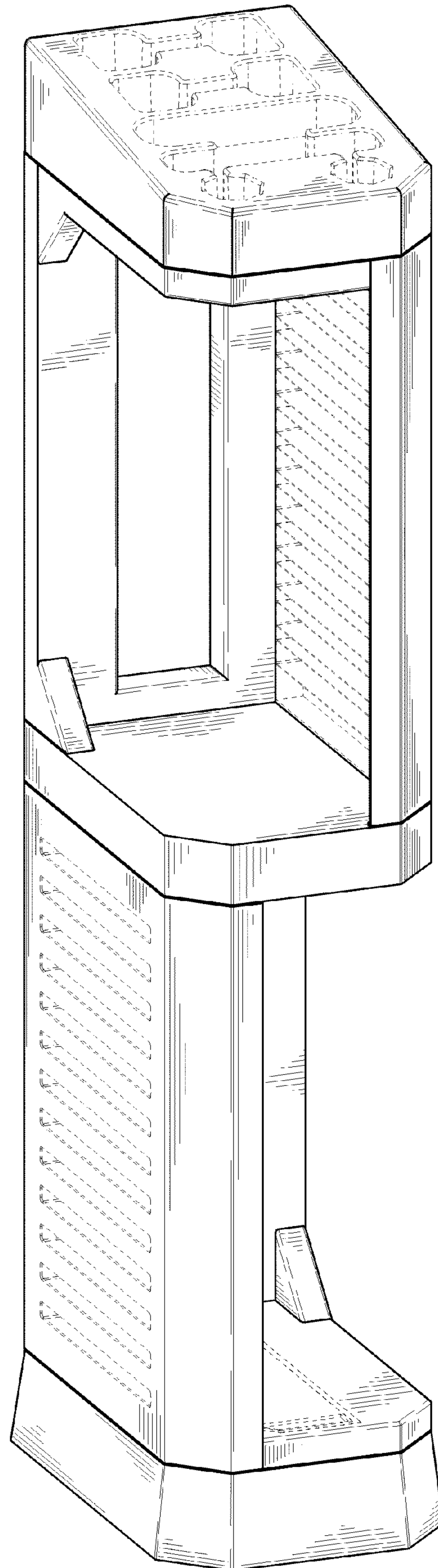


Fig. 1

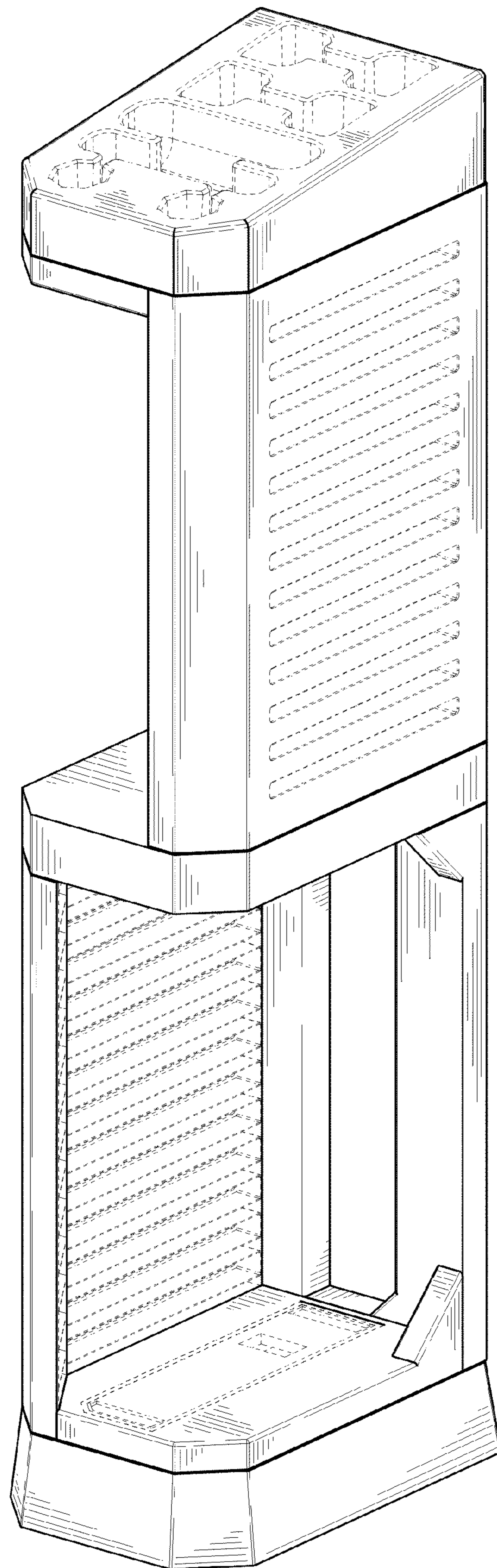


Fig. 2

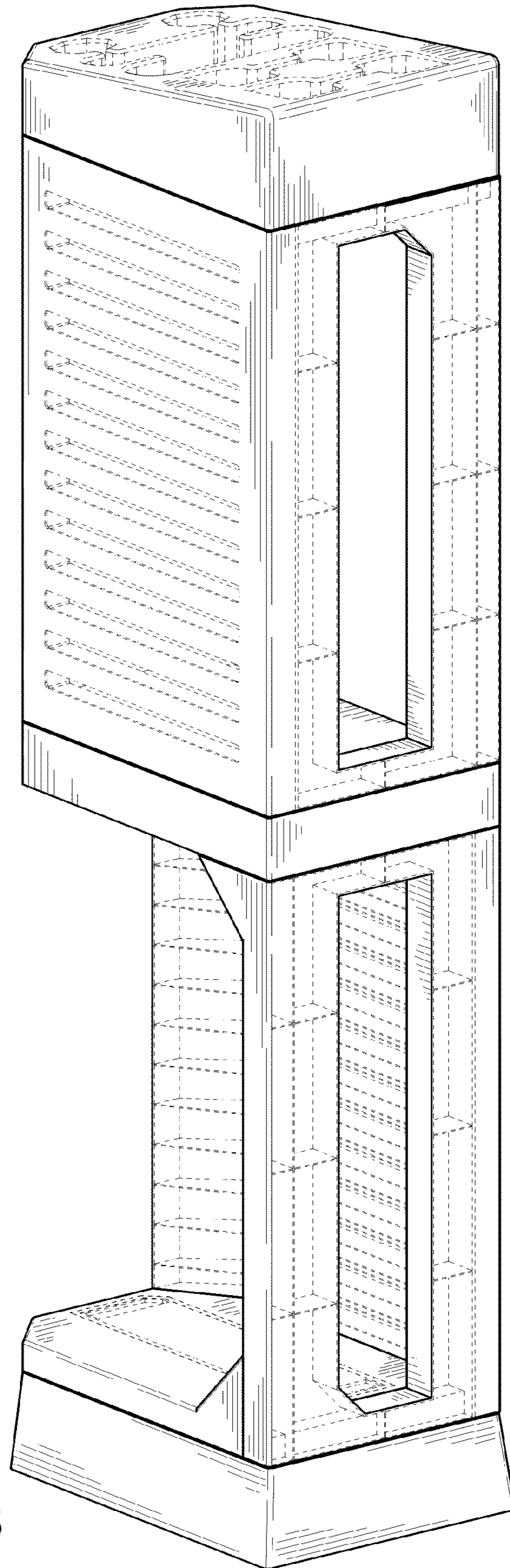


Fig. 3

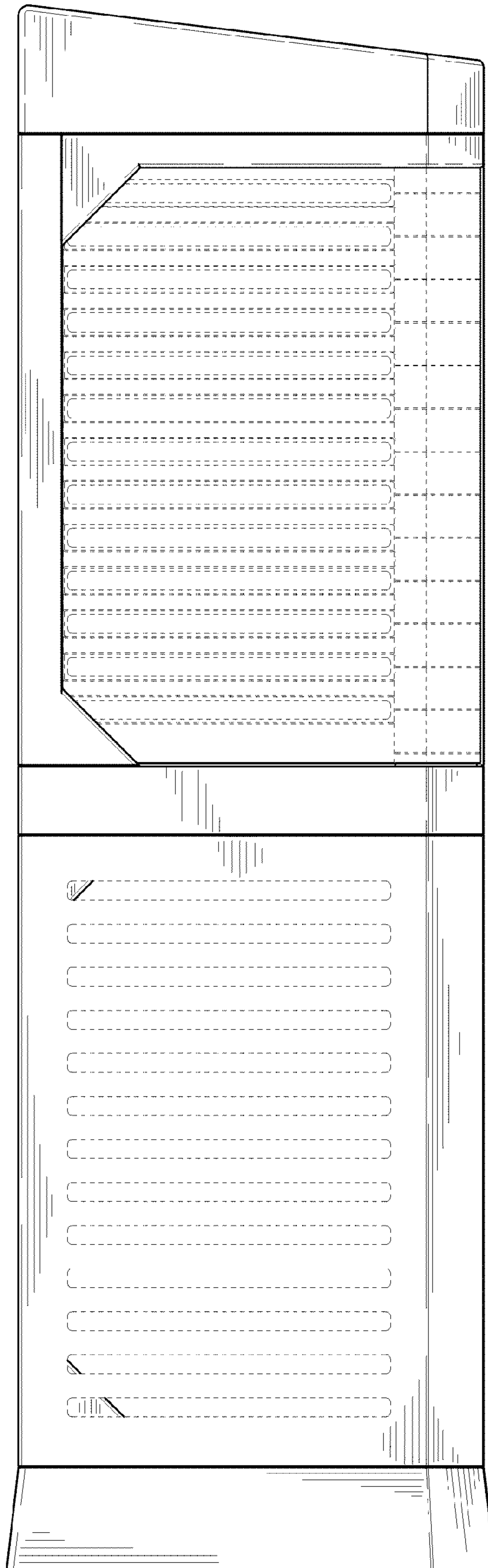


Fig. 4

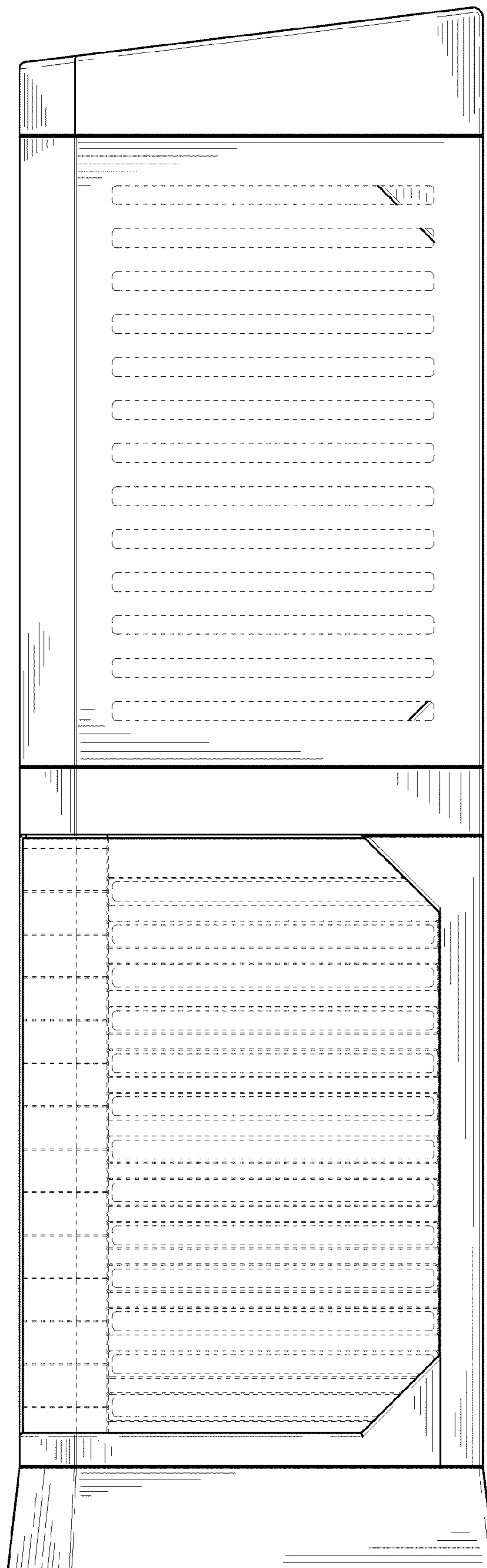


Fig. 5

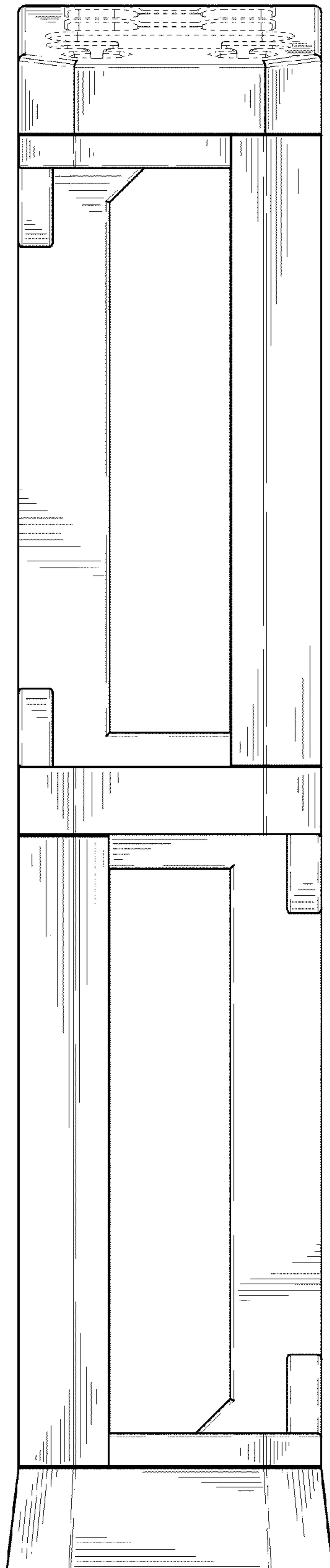


Fig. 6

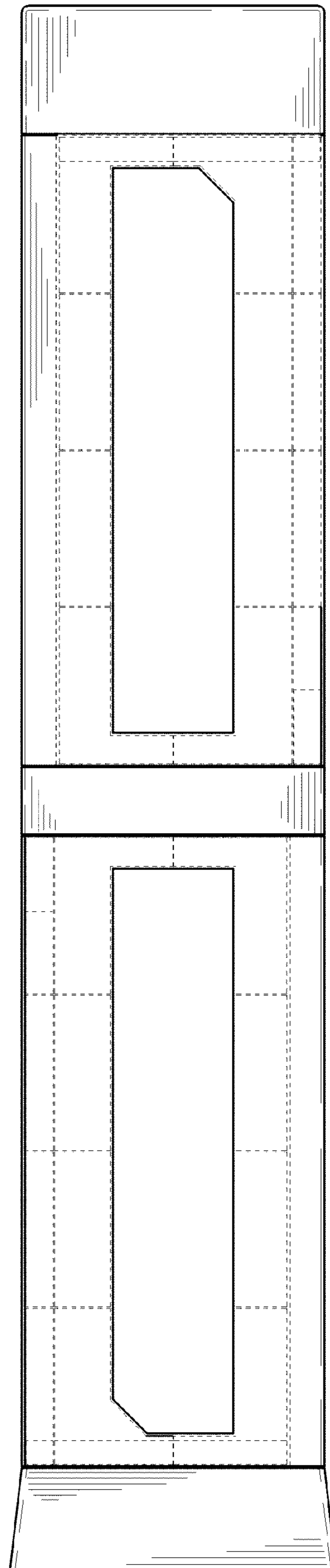


Fig. 7

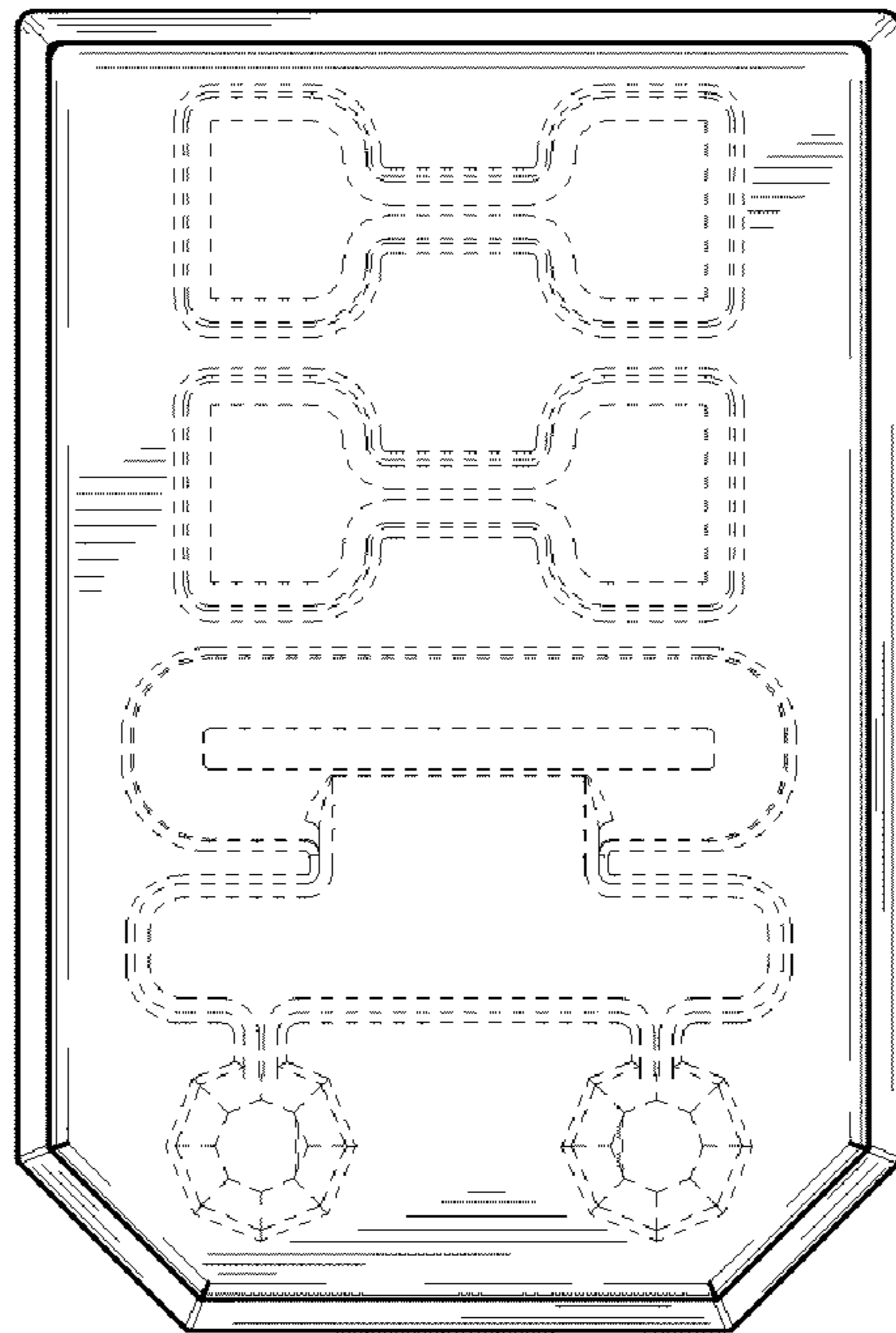


Fig. 8

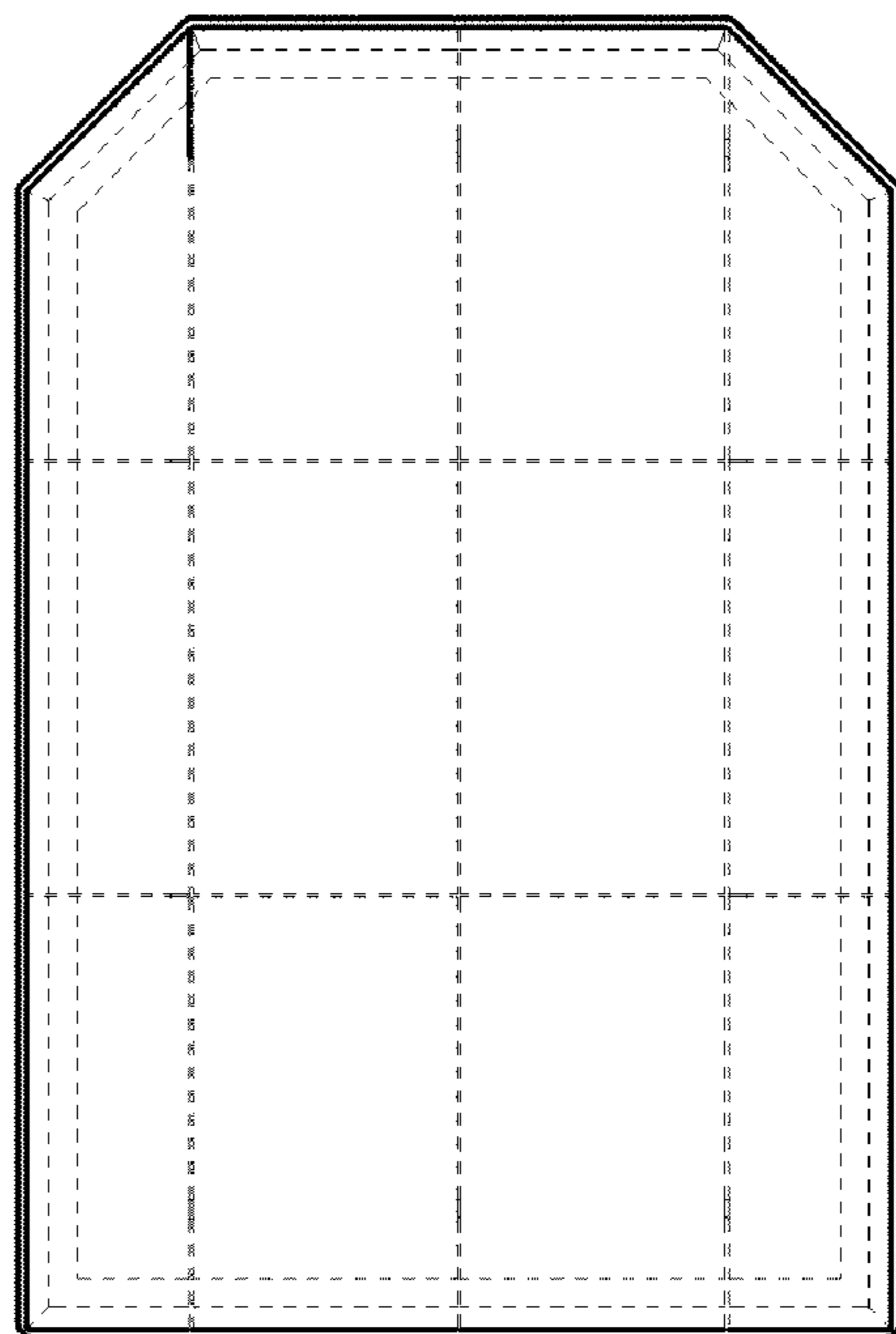


Fig. 9