



US00D653487S

(12) **United States Design Patent**
Blom et al.

(10) **Patent No.:** **US D653,487 S**

(45) **Date of Patent:** **** Feb. 7, 2012**

(54) **PILLOW**

(76) Inventors: **Hendrik Gerrit Blom**, Copacabana (AU); **Jan Willem Elkhuisen**, Leeuwarden (NL)

(**) Term: **14 Years**

(21) Appl. No.: **29/387,927**

(22) Filed: **Mar. 21, 2011**

(51) **LOC (9) Cl.** **06-09**

(52) **U.S. Cl.** **D6/601**

(58) **Field of Classification Search** D6/595, D6/596, 598, 601, 604; 5/630, 633, 636, 5/638, 640, 652-655, 655.3, 656
See application file for complete search history.

(56) **References Cited**

U.S. PATENT DOCUMENTS

D325,839 S * 5/1992 Main D6/601
D371,035 S * 6/1996 Davis D6/601

5,682,633 A * 11/1997 Davis 5/636
D529,327 S * 10/2006 Martin et al. D6/601
2005/0050636 A1* 3/2005 Setokawa 5/636

* cited by examiner

Primary Examiner — Janice Seeger

(74) *Attorney, Agent, or Firm* — QucikPatents, Inc.; Kevin Prince

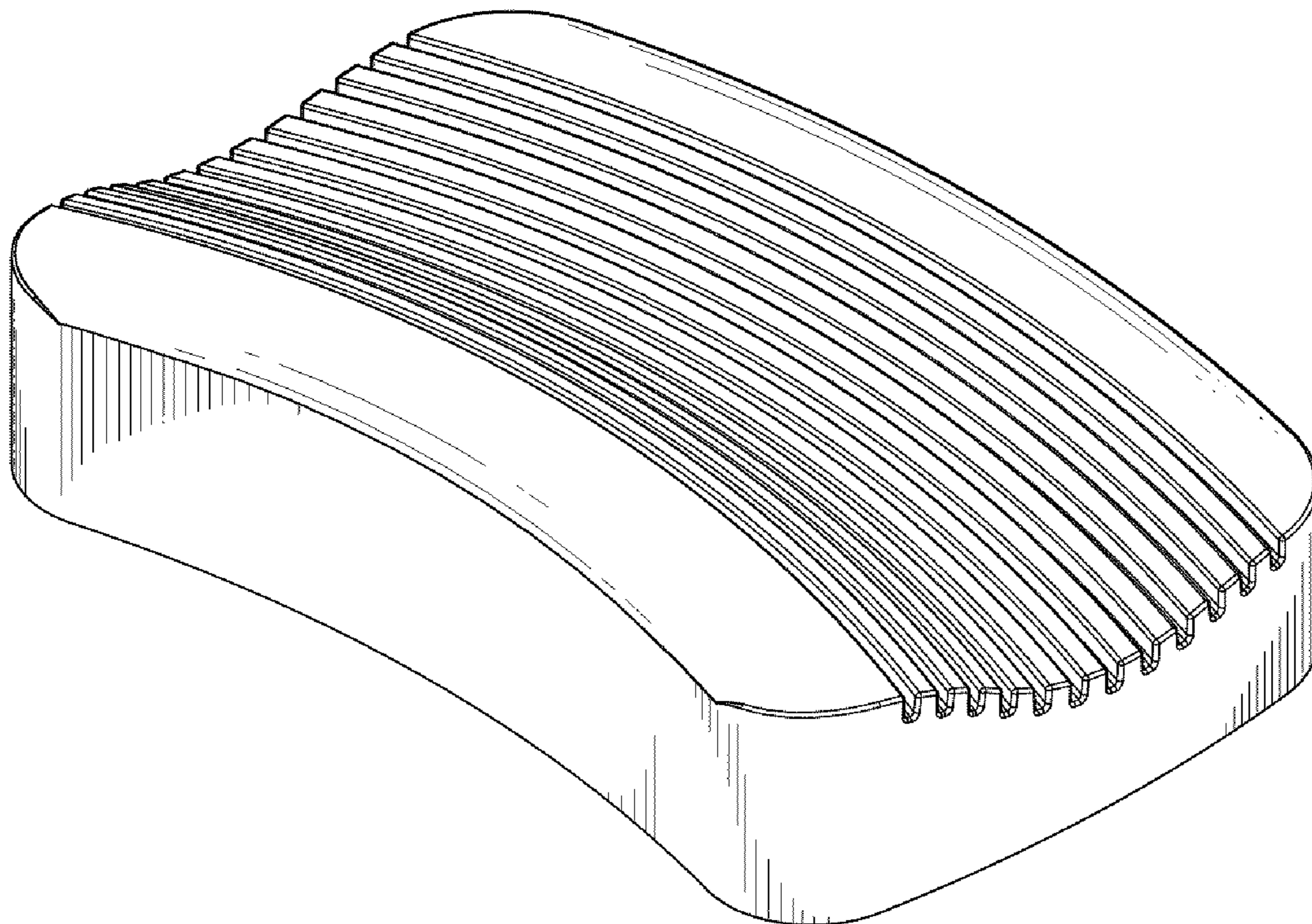
(57) **CLAIM**

We claim the ornamental design for a pillow, as shown and described.

DESCRIPTION

FIG. 1 is a perspective view of a pillow, showing our new design;
FIG. 2 is a front elevational view thereof;
FIG. 3 is a rear elevational view thereof;
FIG. 4 is a right-side elevational view thereof, the left-side elevational view being a mirror image thereof;
FIG. 5 is a top plan view thereof; and,
FIG. 6 is a bottom plan view thereof.

1 Claim, 2 Drawing Sheets



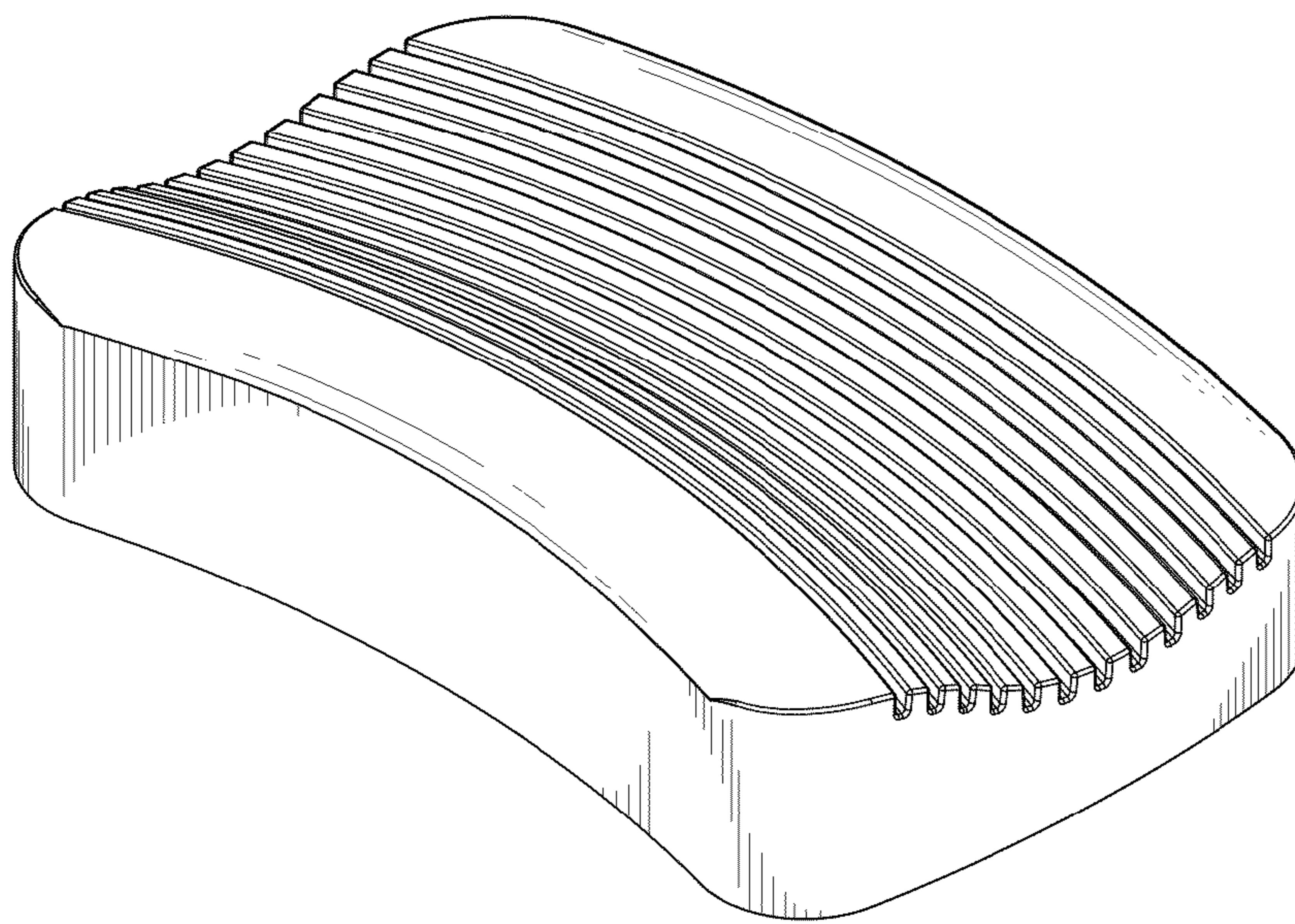


FIG. 1

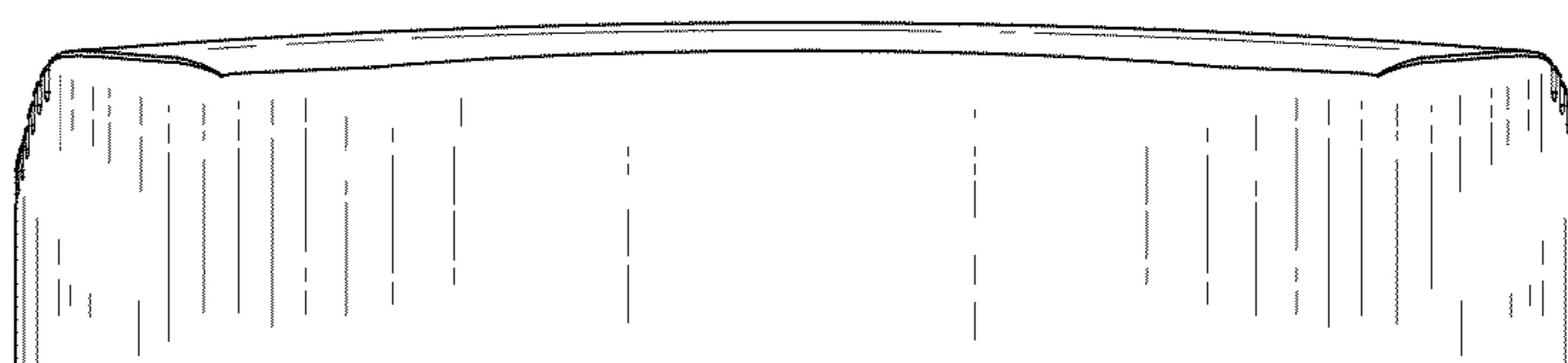


FIG. 2

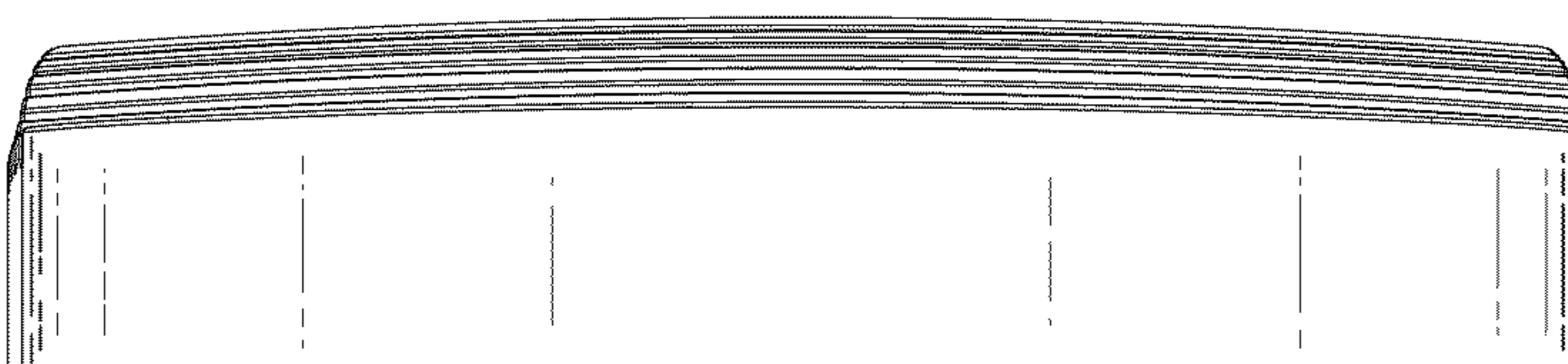


FIG. 3



FIG. 4

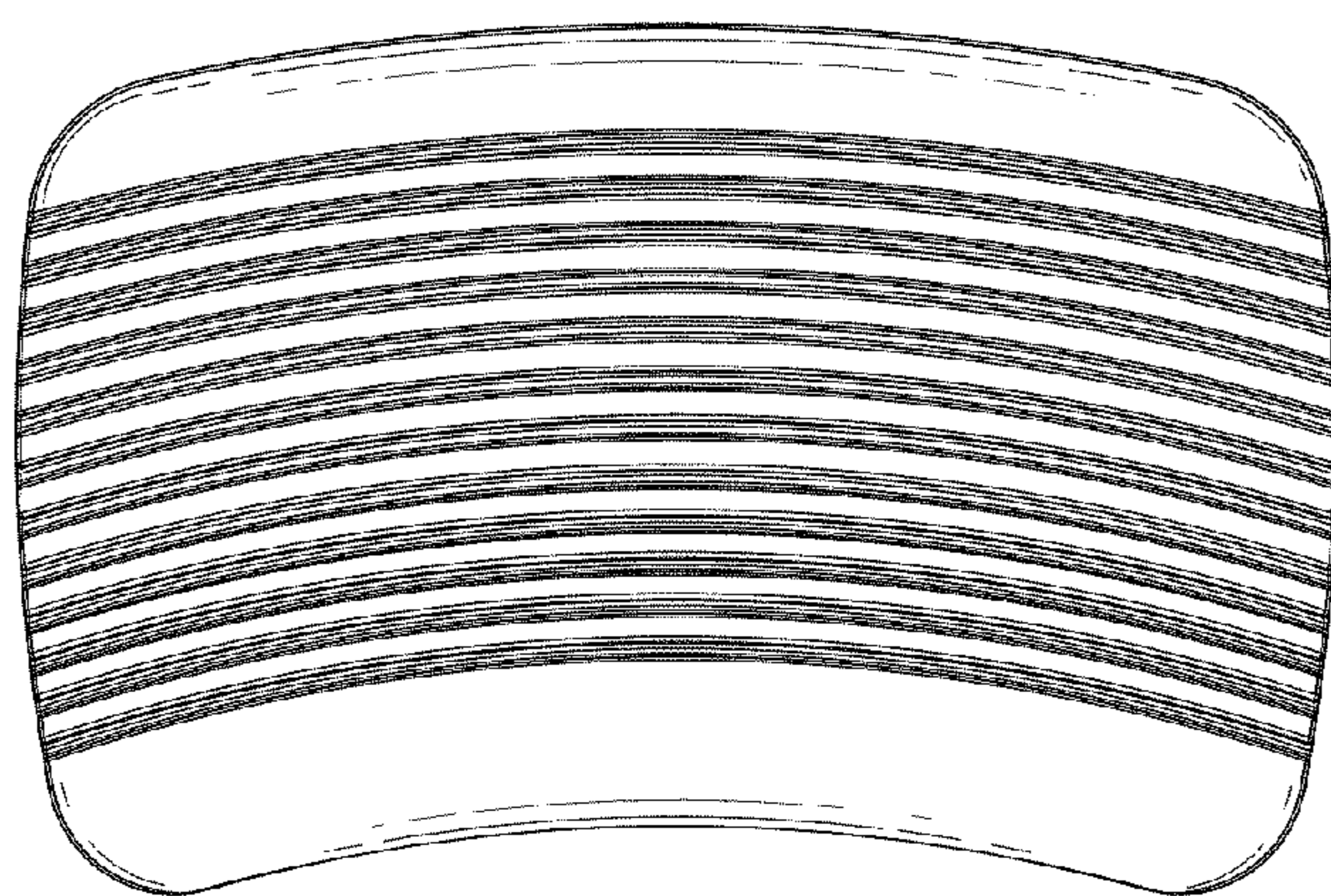


FIG. 5

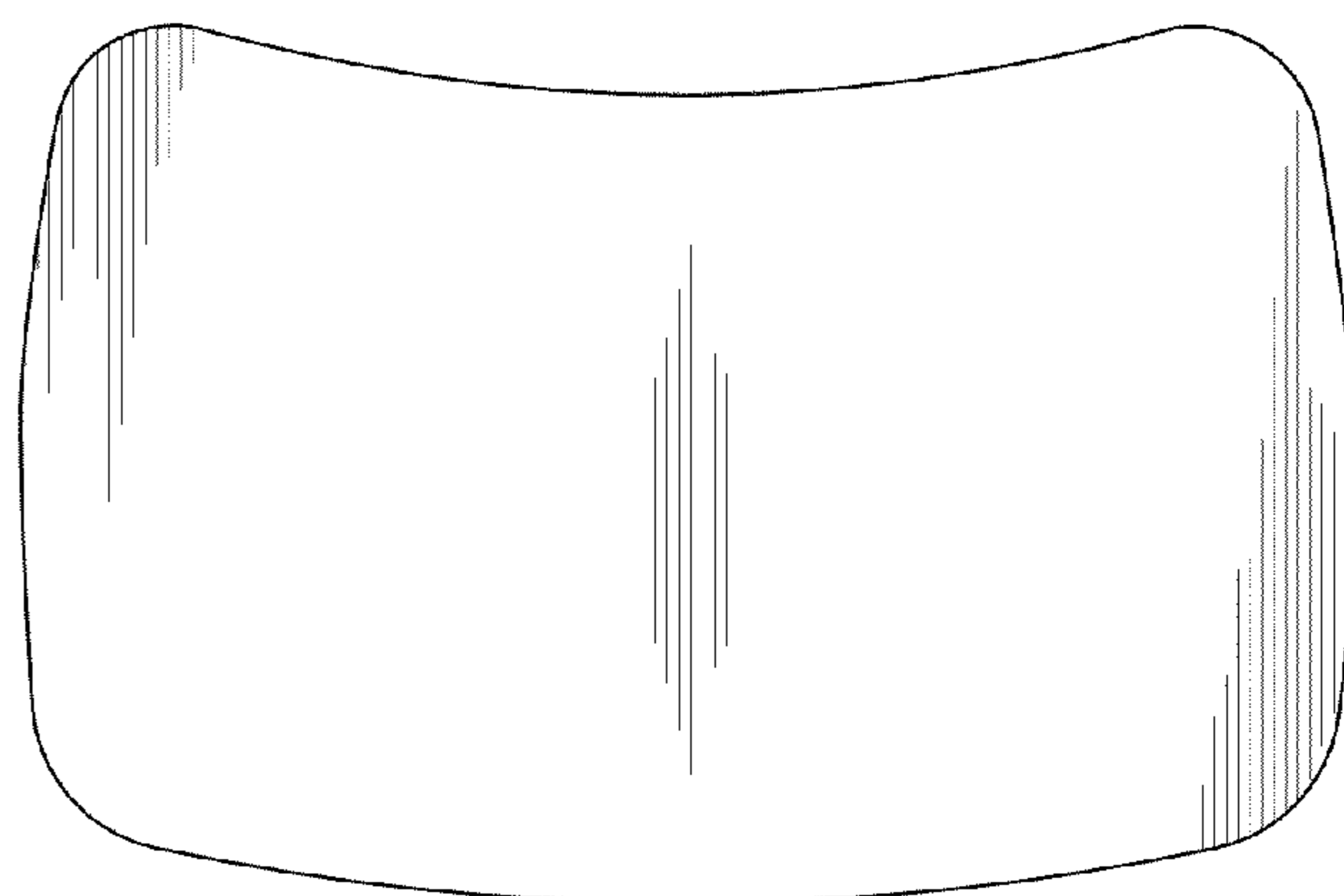


FIG. 6