



US00D653483S

(12) **United States Design Patent**
Chou

(10) **Patent No.:** **US D653,483 S**

(45) **Date of Patent:** **** Feb. 7, 2012**

(54) **TASSEL FOR COVERINGS FOR ARCHITECTURAL OPENINGS**

(76) **Inventor:** **Tser Wen Chou, Taipei (TW)**

(**) **Term:** **14 Years**

(21) **Appl. No.:** **29/376,774**

(22) **Filed:** **Oct. 12, 2010**

(51) **LOC (9) Cl.** **06-10**

(52) **U.S. Cl.** **D6/581**

(58) **Field of Classification Search** D6/396,
D6/575, 576, 577, 578, 579, 580, 581-594;
D26/1, 2, 3, 51, 60, 61, 62, 63, 64, 65, 66,
D26/67, 68, 72, 73, 74, 75, 76, 77, 78, 79,
D26/80, 81, 82, 83-93, 138, 142; D11/3,
D11/11, 13, 79, 228; D2/789, 790, 810,
D2/811, 818; 160/38, 84.07, 348, 371; D23/385,
D23/386, 411, 366, 368; 416/146 R

See application file for complete search history.

(56) **References Cited**

U.S. PATENT DOCUMENTS

D605,448 S * 12/2009 Metaxatos et al. D6/581
D606,351 S * 12/2009 Peffer D6/581
D620,738 S * 8/2010 Baron D6/581
D637,856 S * 5/2011 LaBarre et al. D6/581

* cited by examiner

Primary Examiner — Susan Bennett Hattan

Assistant Examiner — Barbara B Lohr

(74) *Attorney, Agent, or Firm* — Ming Chow; Sinorica, LLC

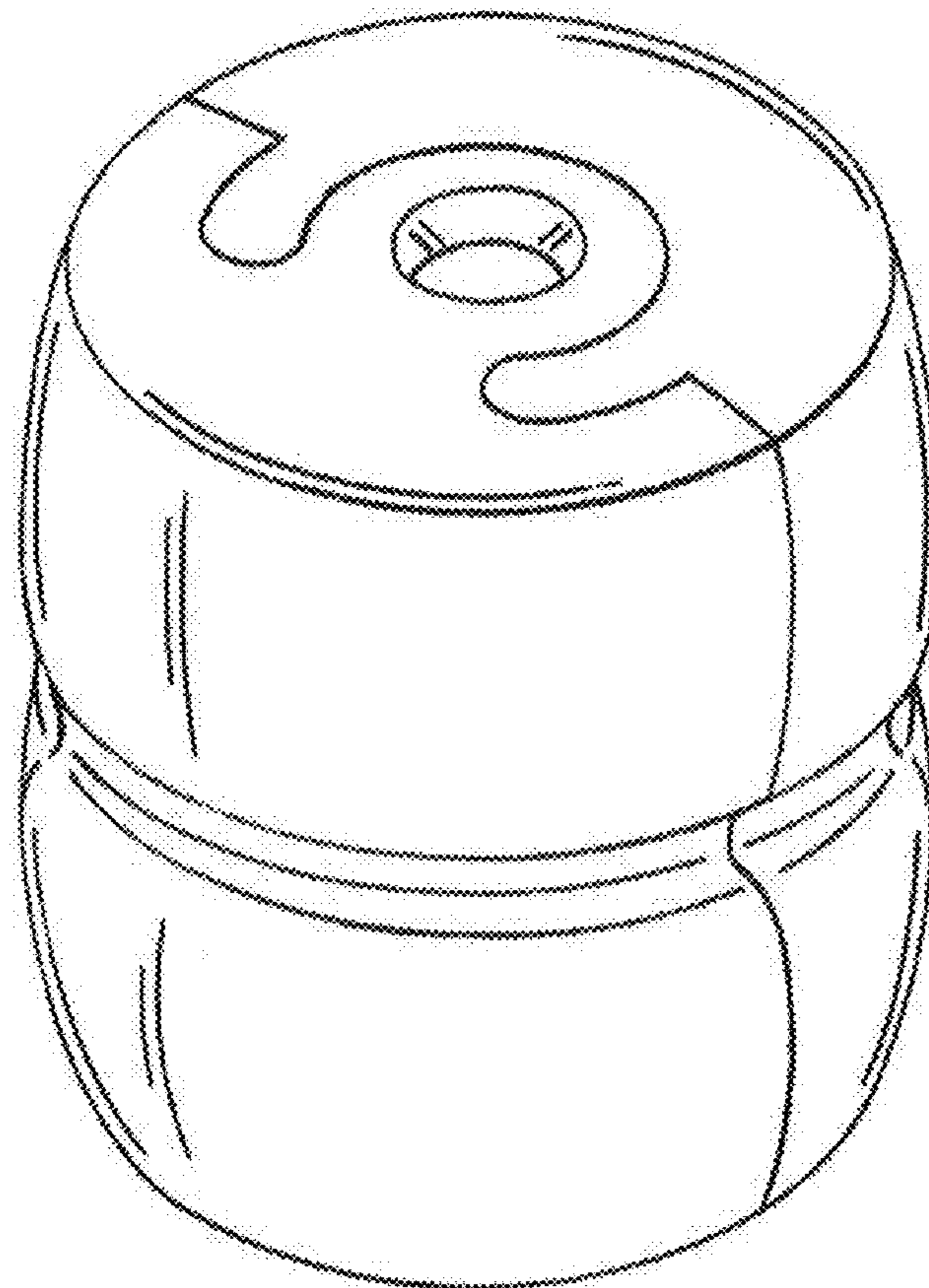
(57) **CLAIM**

The ornamental design for a tassel for coverings for architectural openings, as shown and described.

DESCRIPTION

FIG. 1 is a perspective view of a tassel for coverings for architectural openings;
FIG. 2 is a front view thereof;
FIG. 3 is a rear view thereof;
FIG. 4 is a left side view thereof;
FIG. 5 is a right side view thereof;
FIG. 6 is a top view thereof;
FIG. 7 is a bottom view thereof; and,
FIG. 8 is a bottom perspective view thereof.

1 Claim, 5 Drawing Sheets



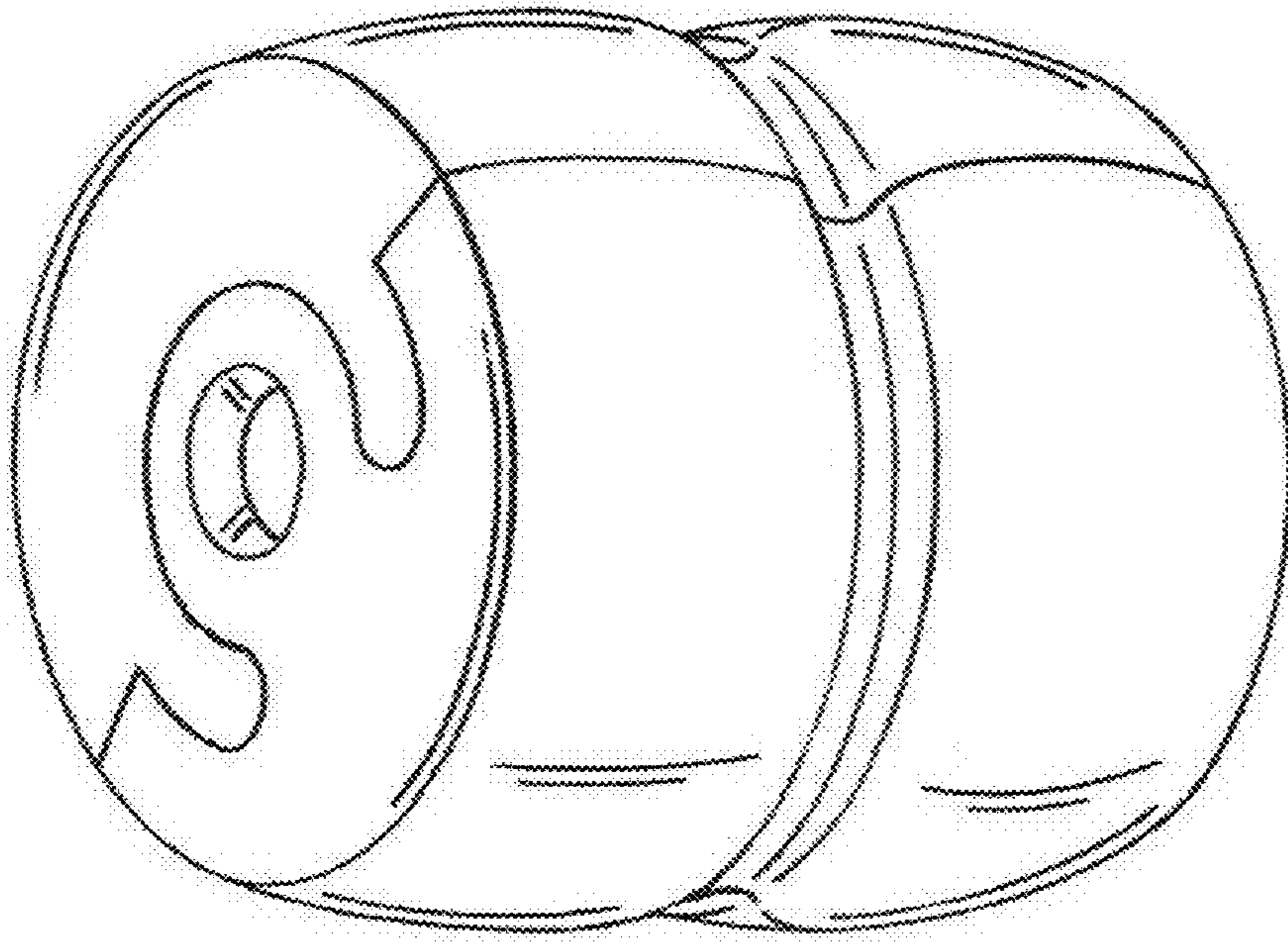


FIG 1

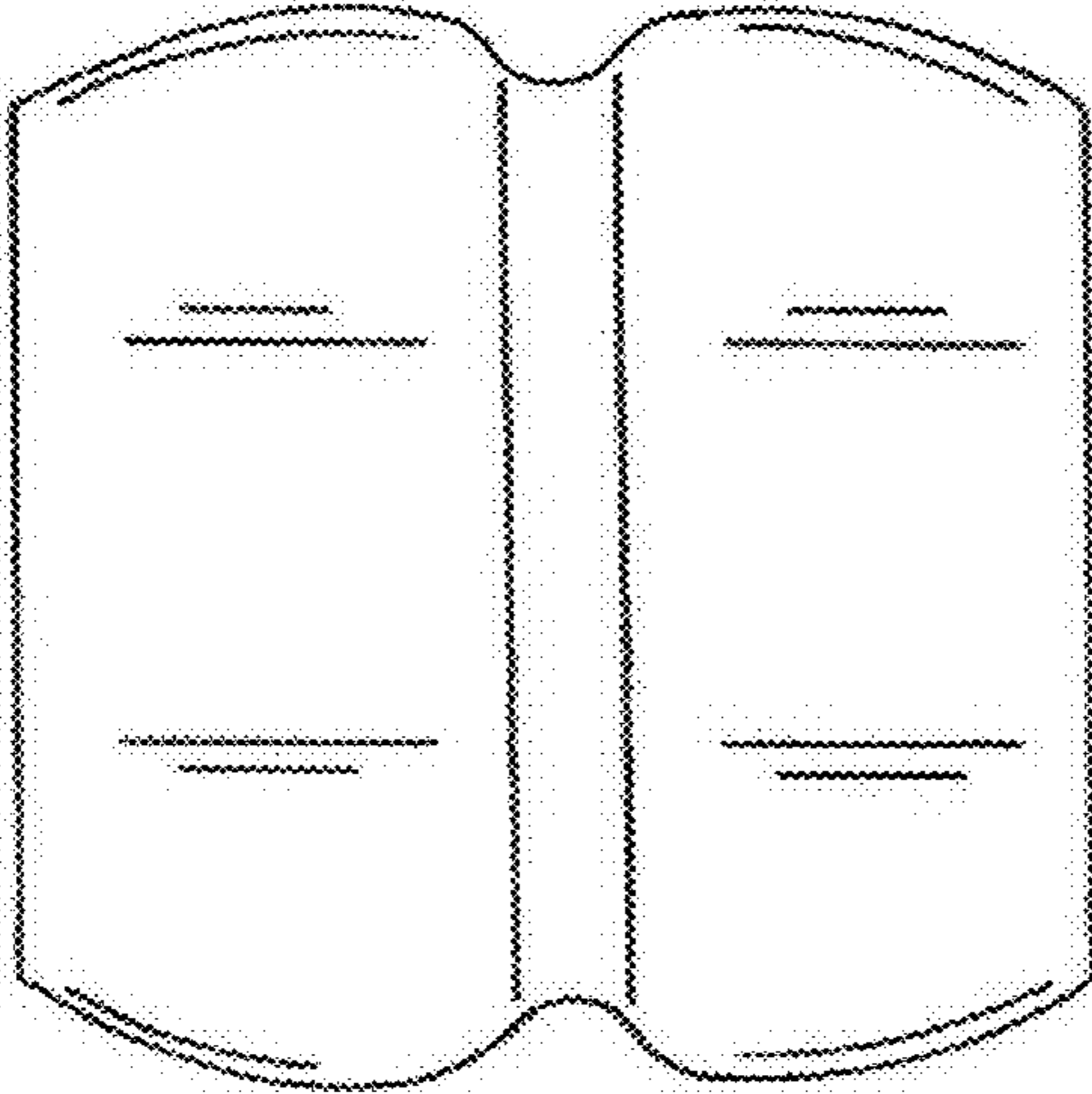


FIG 3

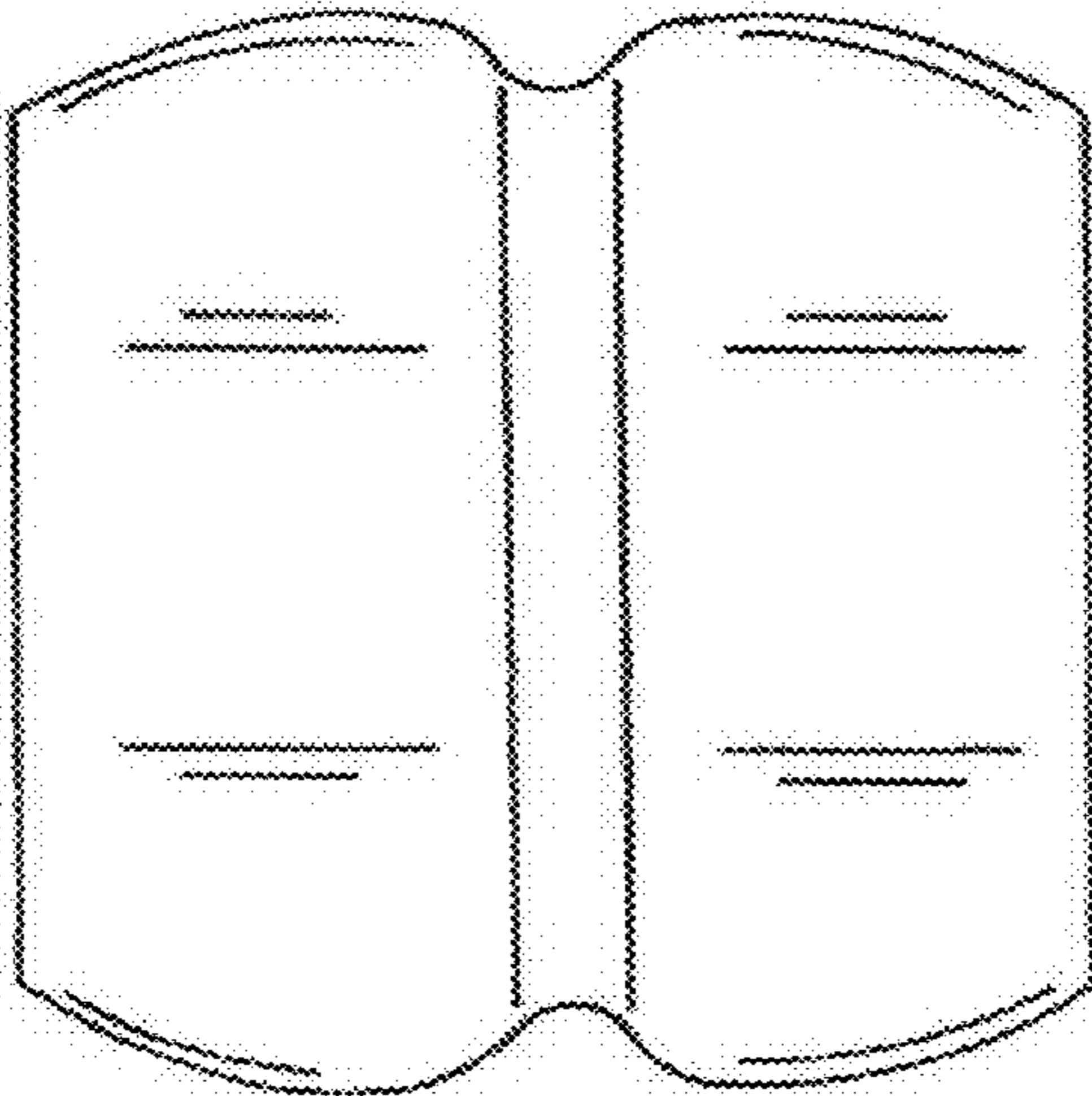


FIG 2

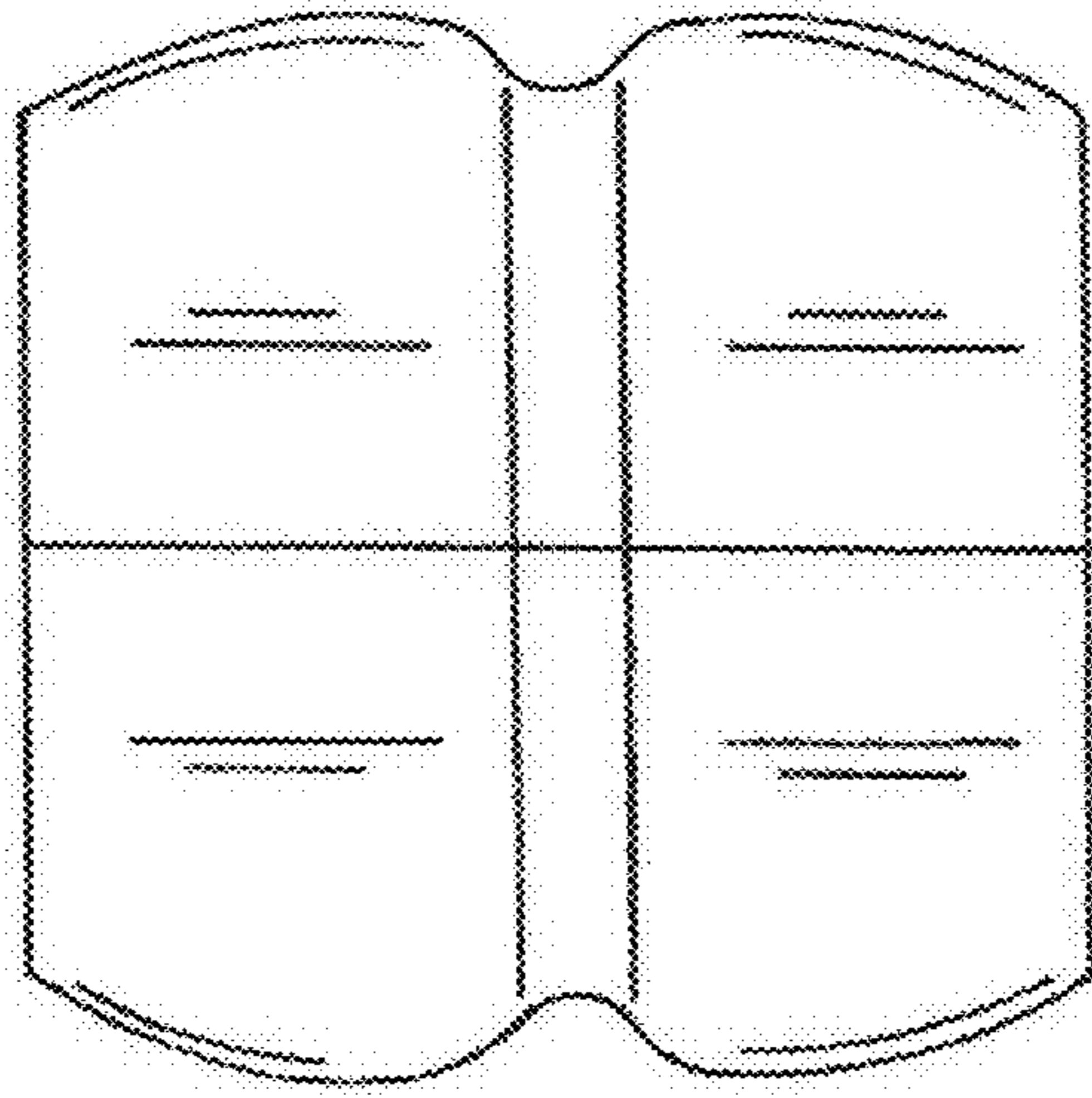


FIG 5

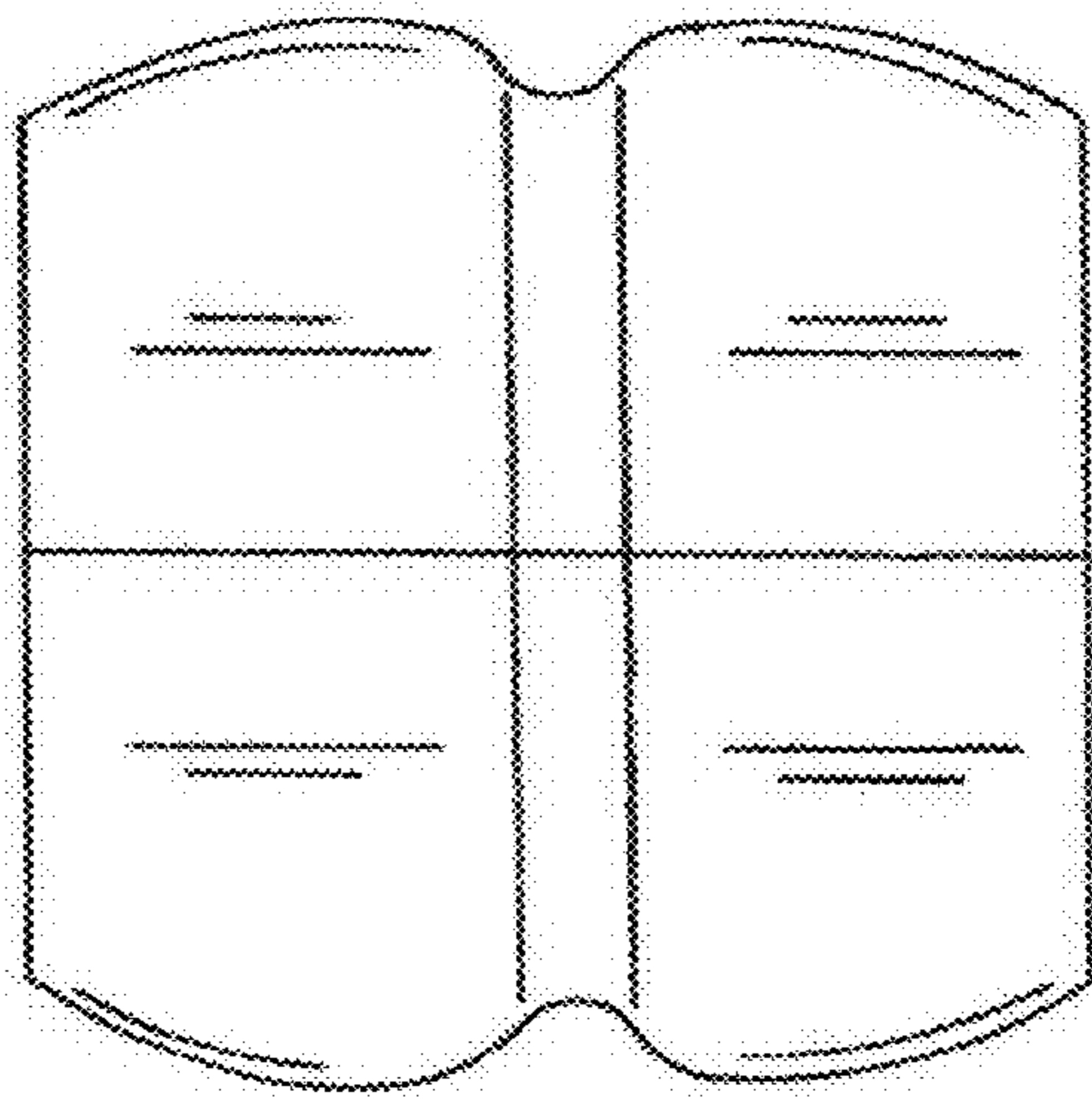


FIG 4

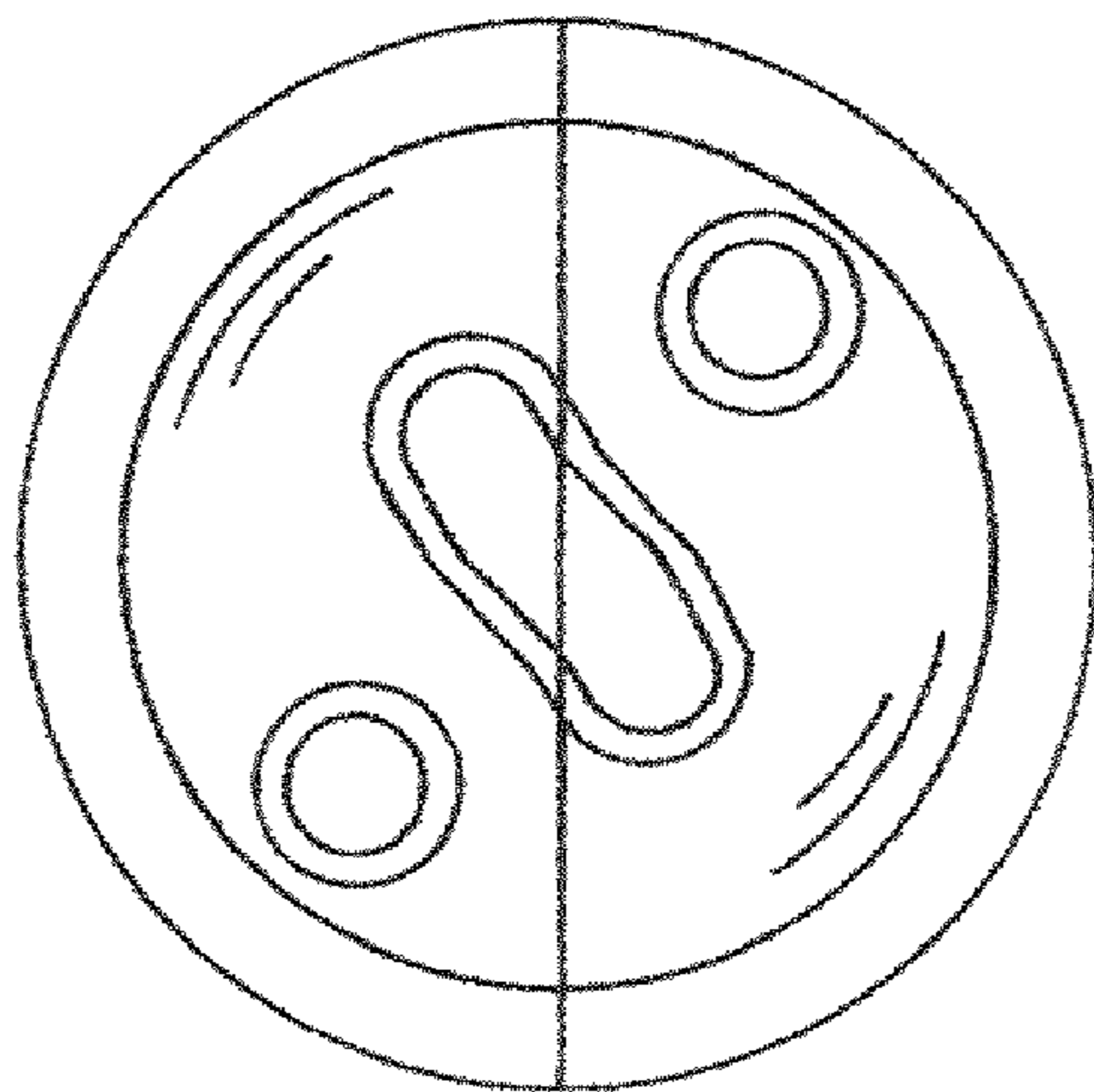


FIG 7

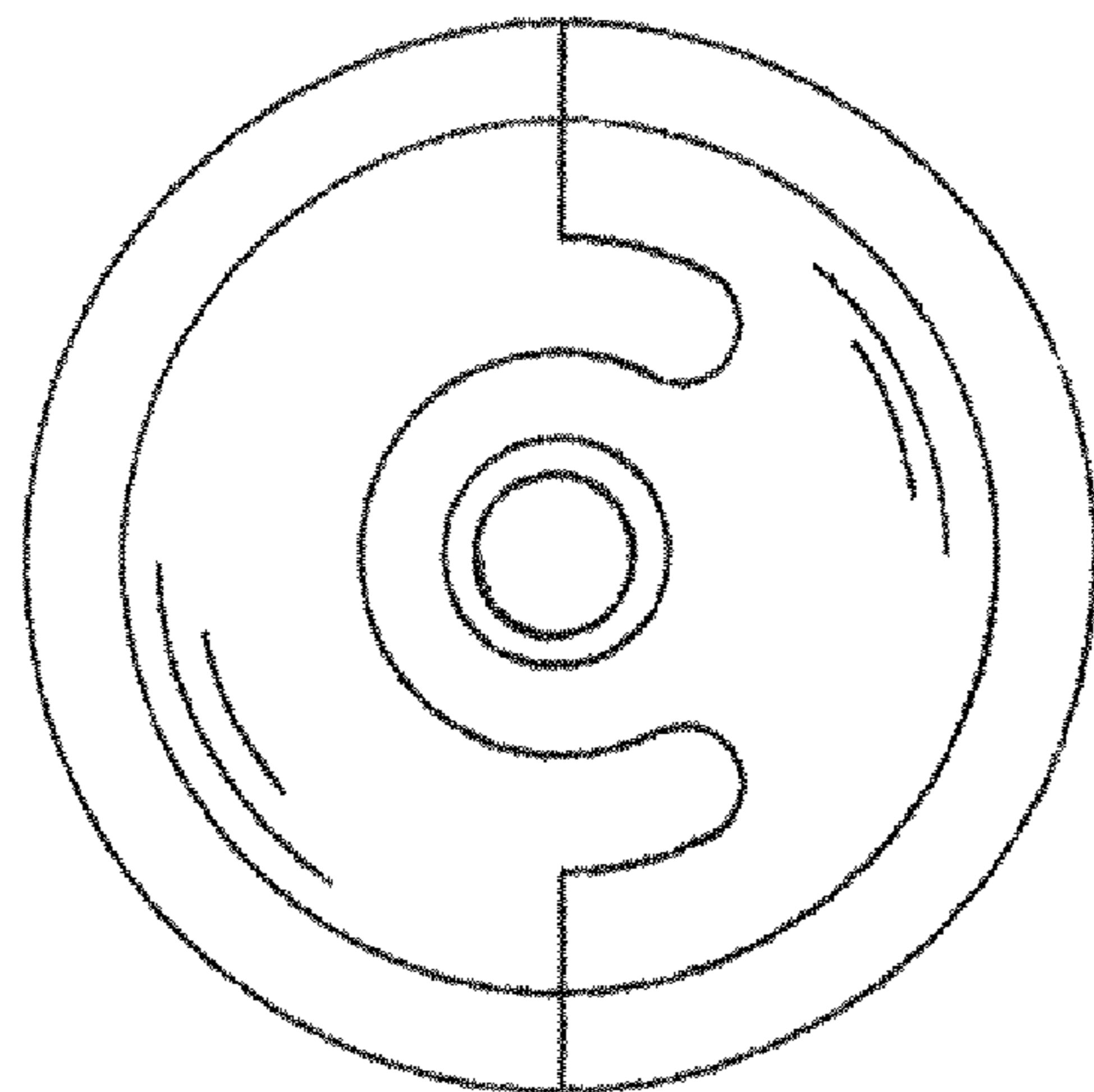


FIG 6

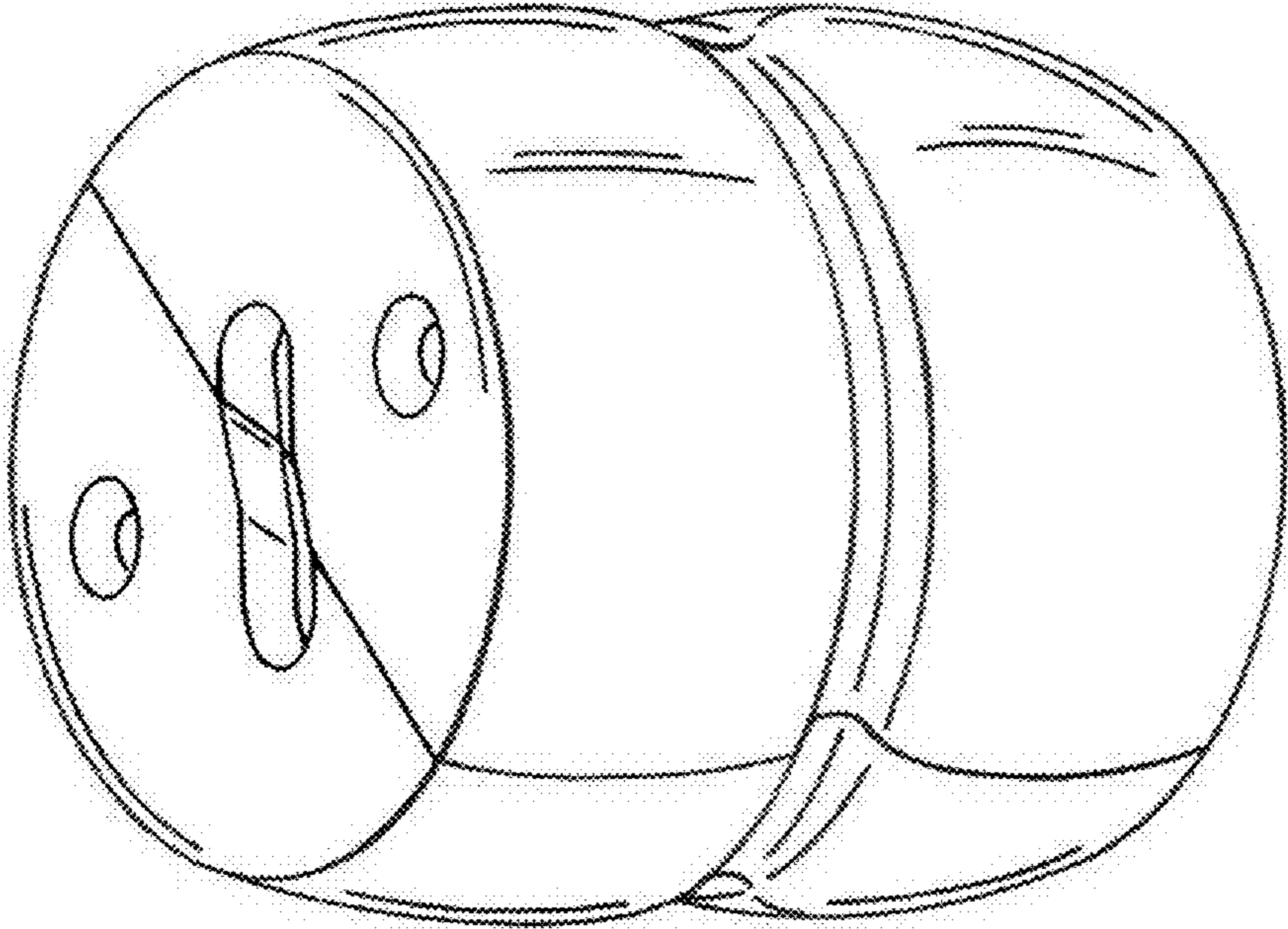


FIG 8