

US00D653482S

(12) **United States Design Patent**
Ciavarella et al.

(10) **Patent No.:** **US D653,482 S**

(45) **Date of Patent:** **** Feb. 7, 2012**

(54) **DISPENSER HOUSING**

(75) Inventors: **Nick E. Ciavarella**, Seven Hills, OH (US); **David D. Hayes**, Wooster, OH (US); **Brian Milliff**, Cleveland, OH (US); **Scott T. Proper**, Stow, OH (US)

(73) Assignee: **GOJO Industries, Inc.**, Akron, OH (US)

(**) Term: **14 Years**

(21) Appl. No.: **29/393,810**

(22) Filed: **Jun. 9, 2011**

(51) **LOC (9) Cl.** **23-02**

(52) **U.S. Cl.** **D6/545**

(58) **Field of Classification Search** D6/542-545;
221/208, 282, 283; 222/105, 173, 180, 181.1,
222/181.2, 181.3

See application file for complete search history.

(56) **References Cited**

U.S. PATENT DOCUMENTS

D478,445 S	*	8/2003	Daansen	D6/545
D480,247 S	*	10/2003	Ciavarella et al.	D6/545
D498,628 S	*	11/2004	Rhodenbaugh	D6/545
D503,576 S	*	4/2005	Reynolds et al.	D6/545

D530,125 S	*	10/2006	Vignot	D6/545
D530,126 S	*	10/2006	Reynolds et al.	D6/545
D552,905 S	*	10/2007	Haworth	D6/545
D553,407 S	*	10/2007	Orgna et al.	D6/545
D557,961 S	*	12/2007	Haworth	D6/545
D569,151 S	*	5/2008	Cittadino et al.	D6/545
D579,250 S	*	10/2008	Cittadino et al.	D6/545
D591,544 S	*	5/2009	Franjesevic et al.	D6/545
D620,292 S	*	7/2010	Kim	D6/545

* cited by examiner

Primary Examiner — Brian N Vinson

(74) *Attorney, Agent, or Firm* — Renner Kenner Greive Bobak Taylor & Weber

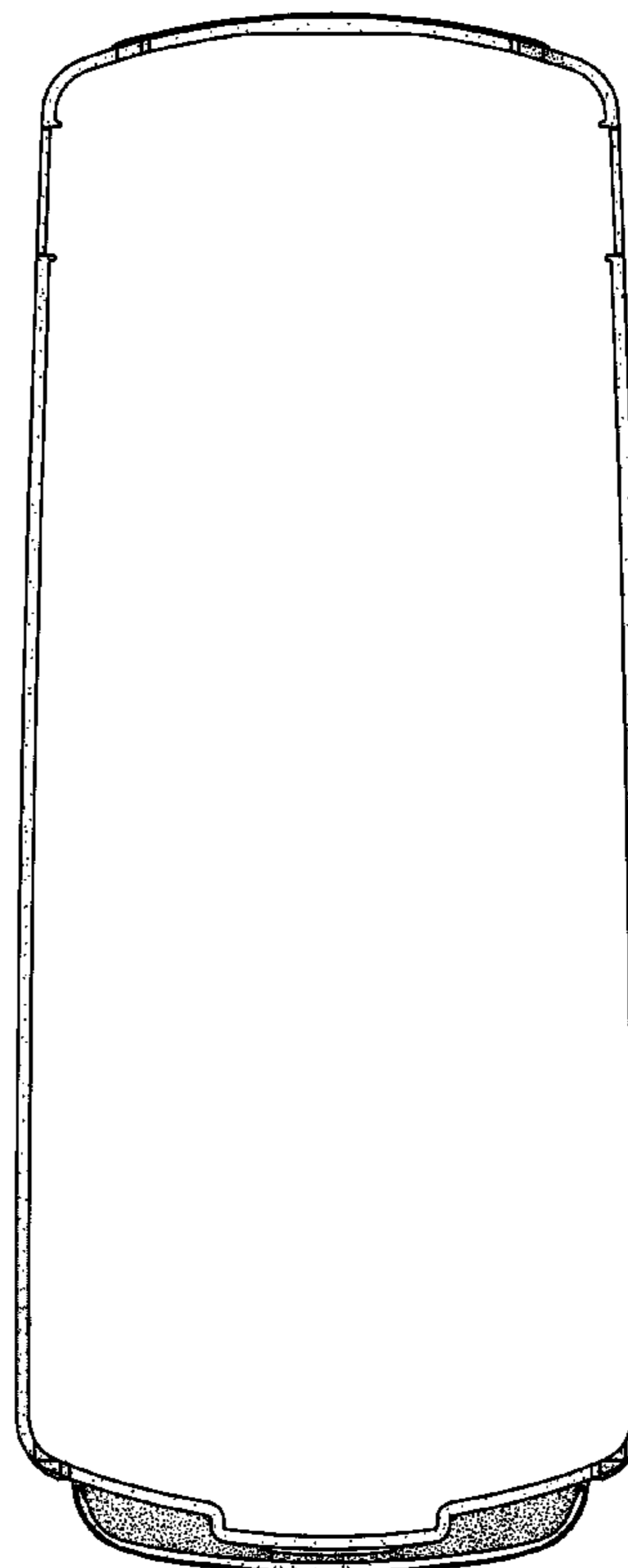
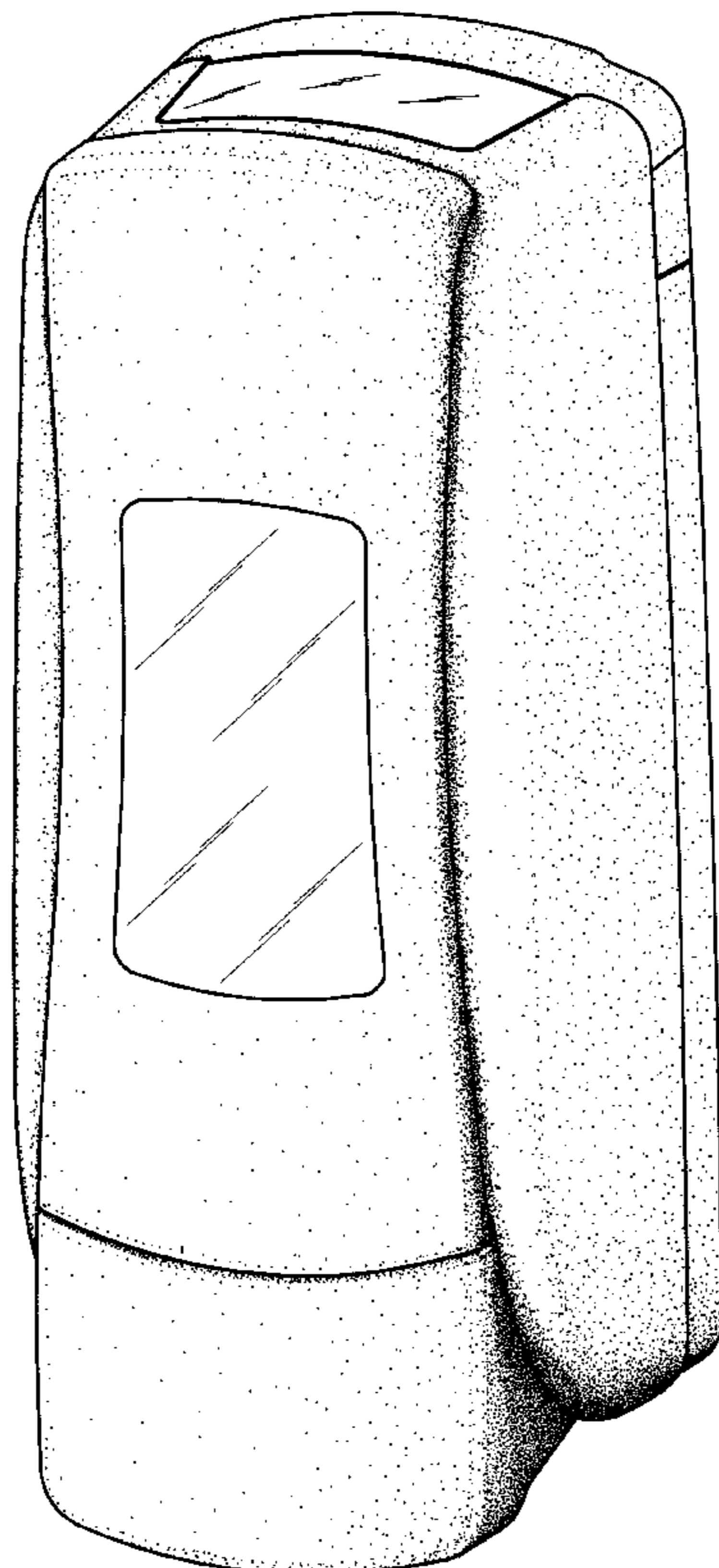
(57) **CLAIM**

The ornamental design for a housing dispenser, as shown and described.

DESCRIPTION

FIG. 1 is a top, front, and right side perspective view of a dispenser housing showing our new design; FIG. 2 is a front elevational view thereof; FIG. 3 is a right side elevational view thereof; FIG. 4 is a left side elevational view thereof; FIG. 5 is a top plan view thereof; FIG. 6 is a bottom plan view thereof; and, FIG. 7 is a rear elevational view thereof.

1 Claim, 6 Drawing Sheets



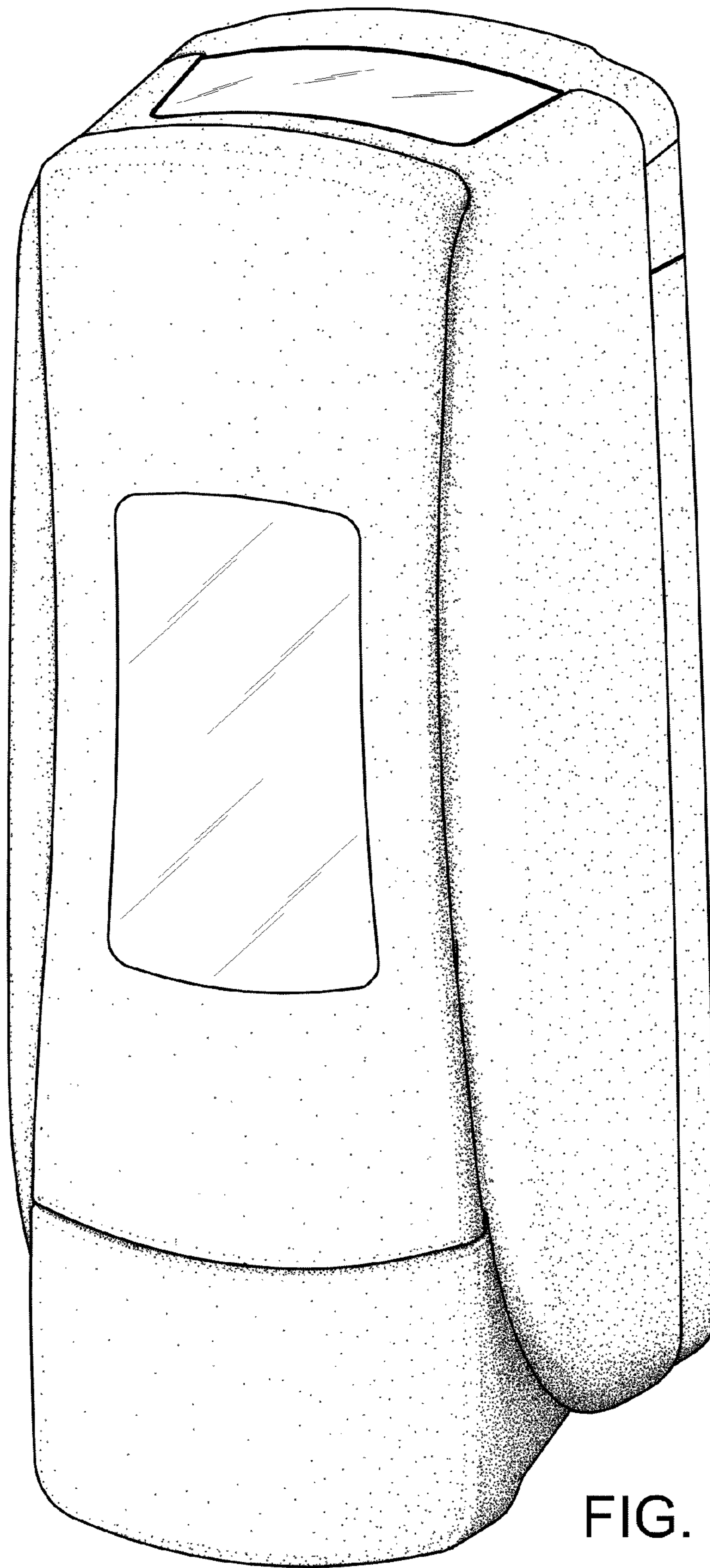


FIG. 1

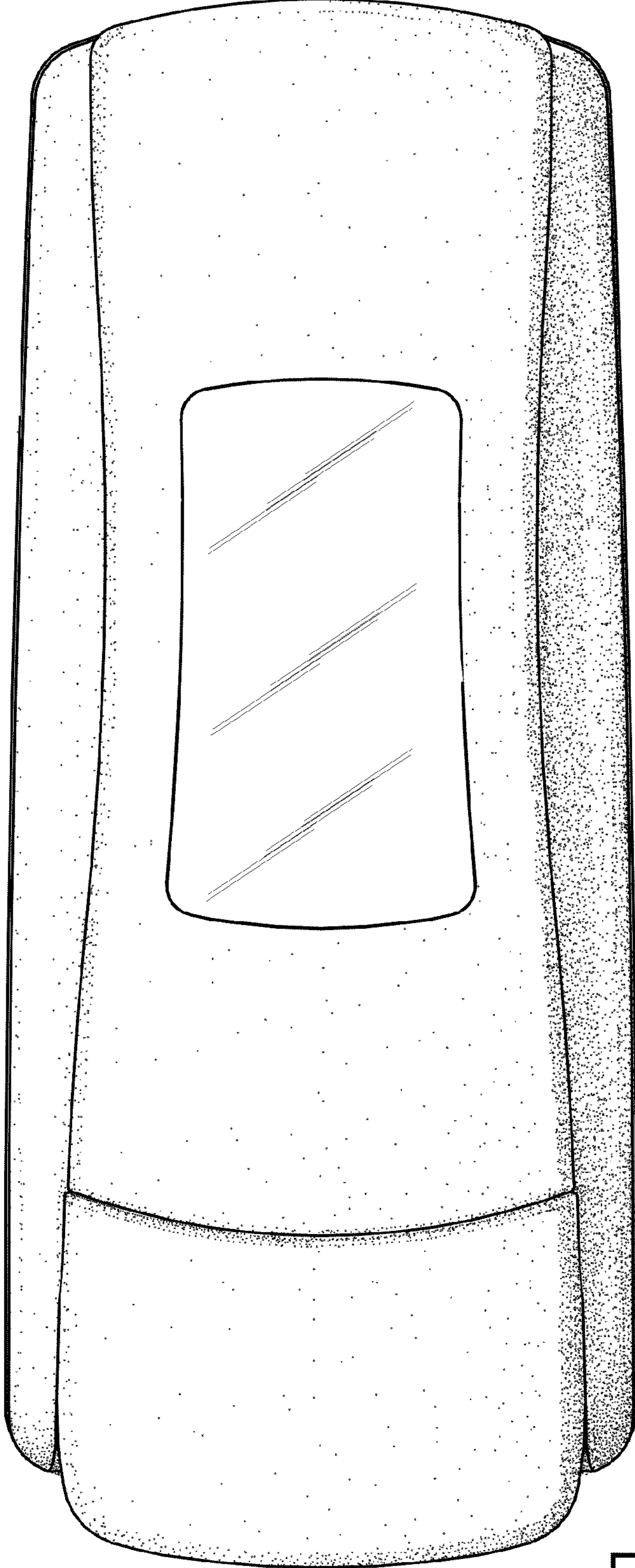


FIG. 2

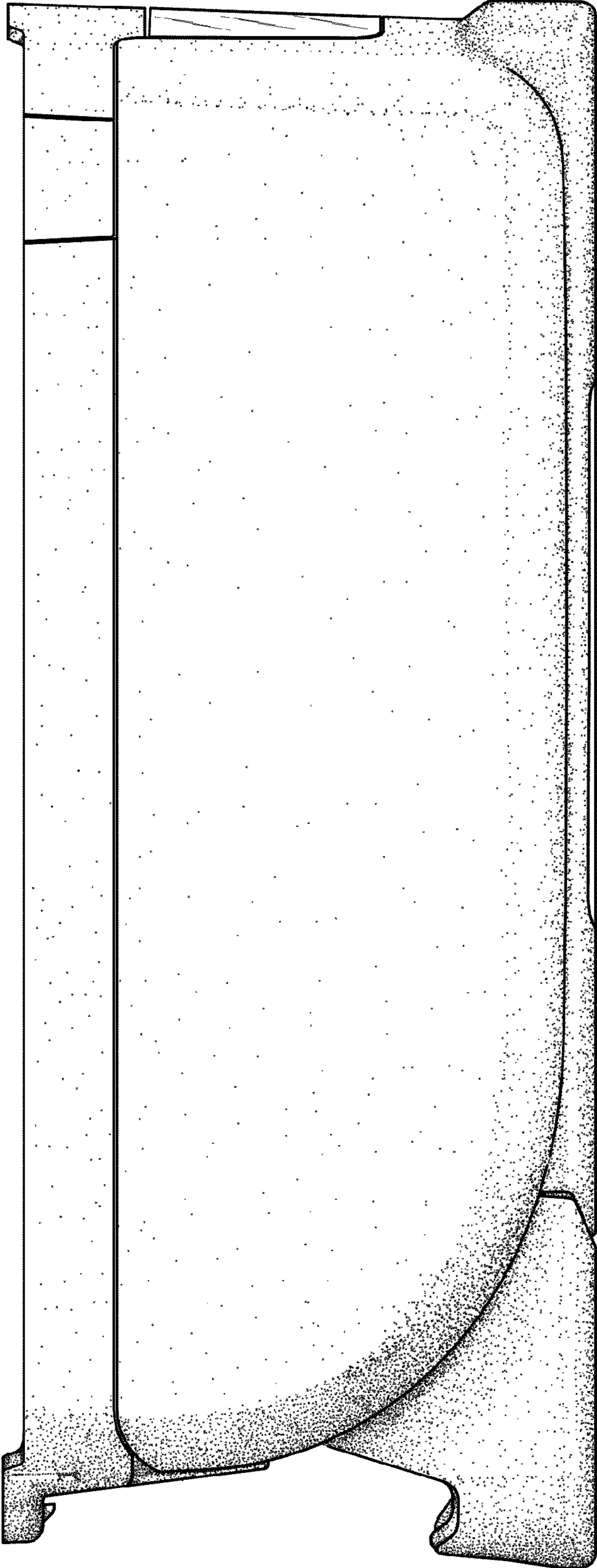


FIG. 3

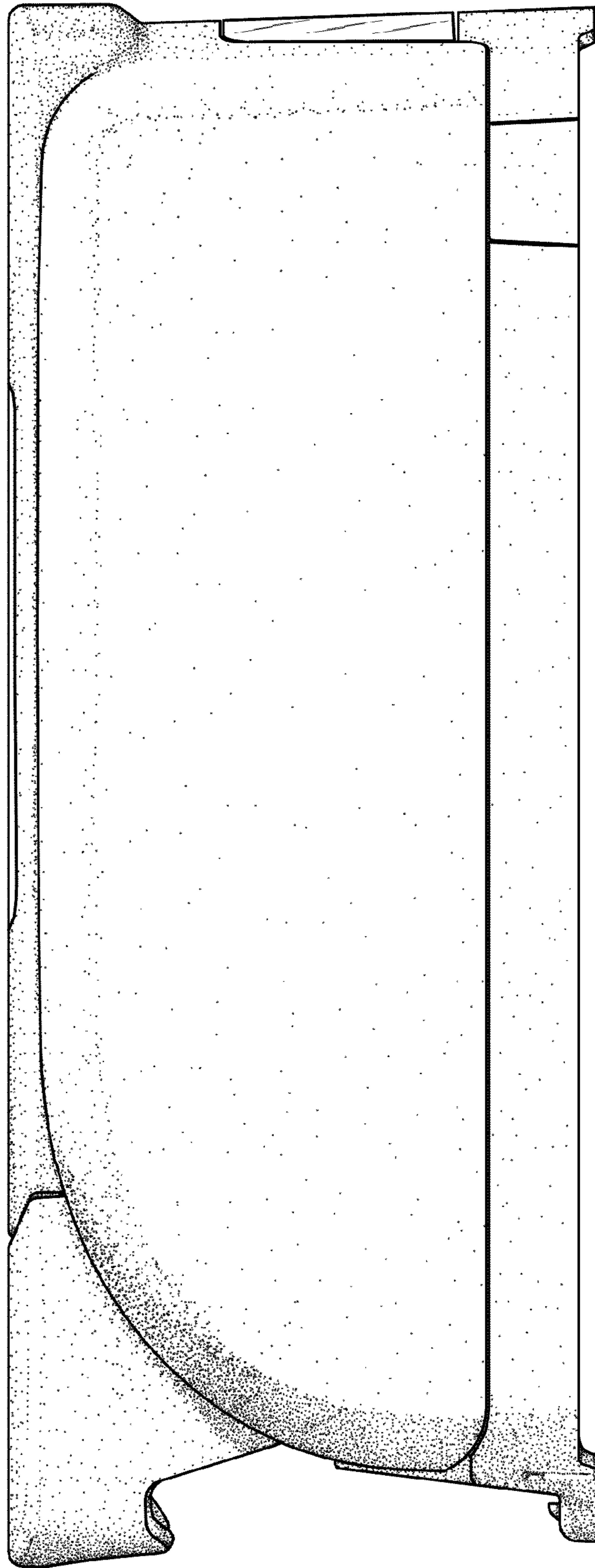


FIG. 4

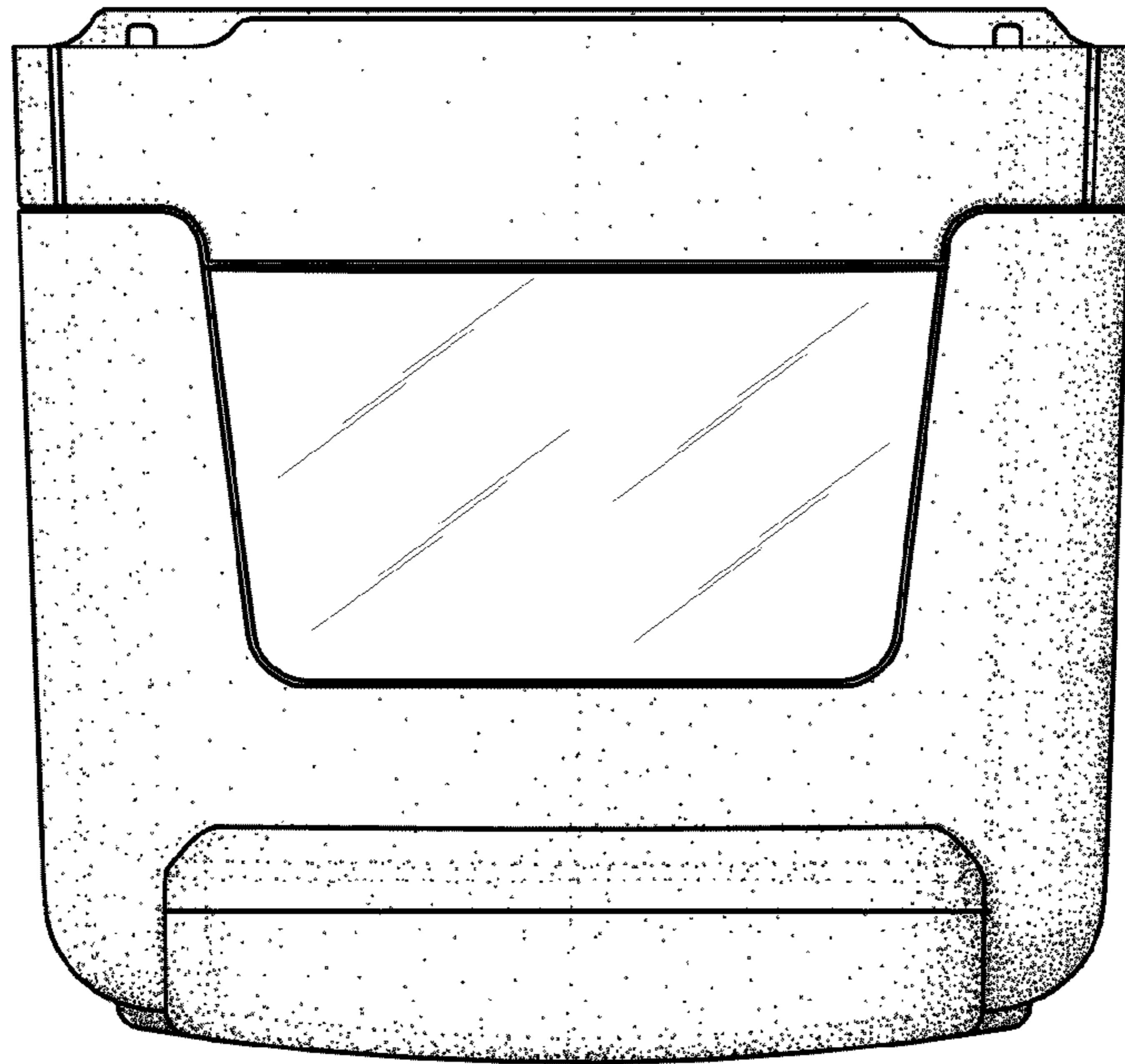


FIG. 5

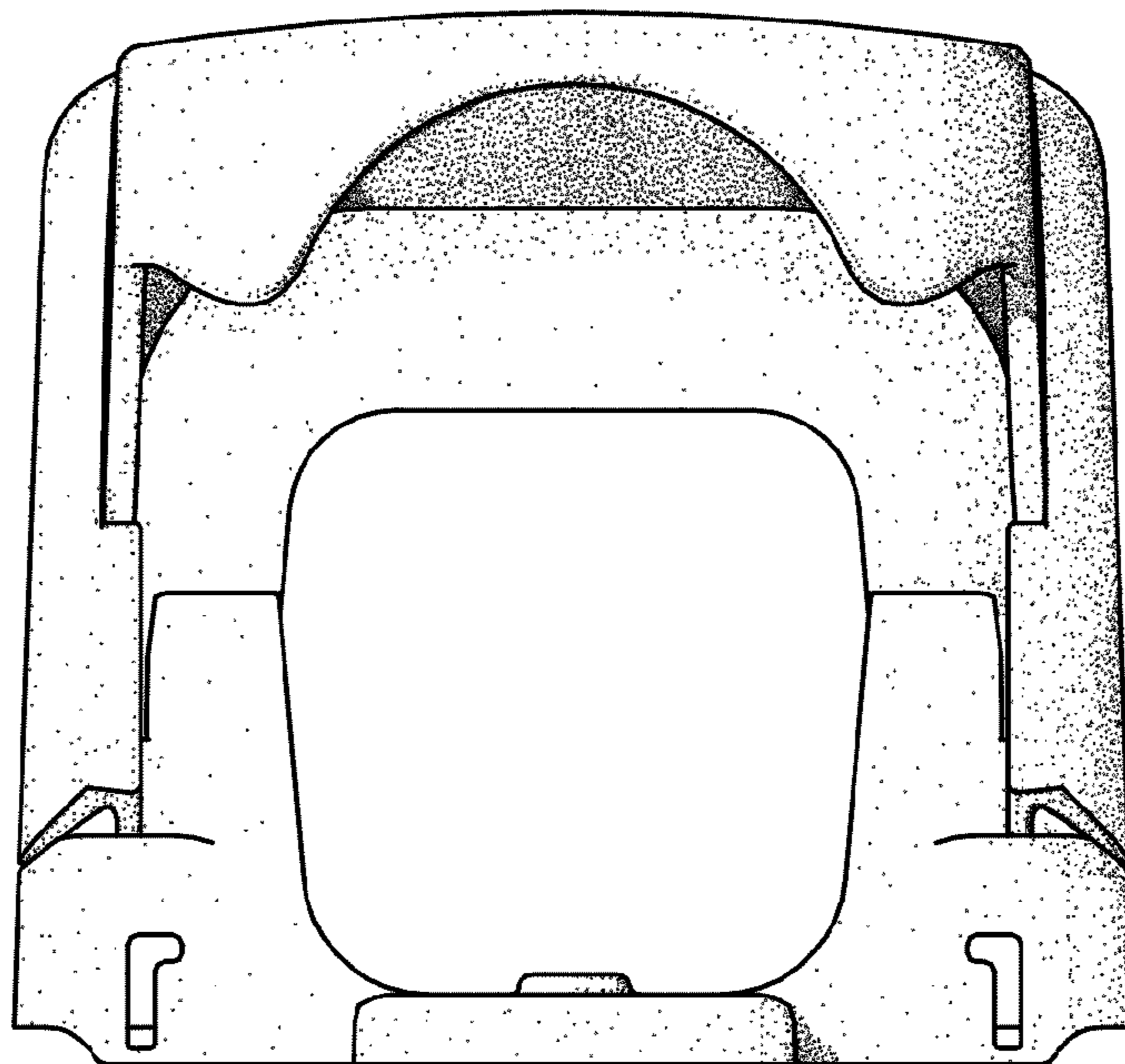


FIG. 6

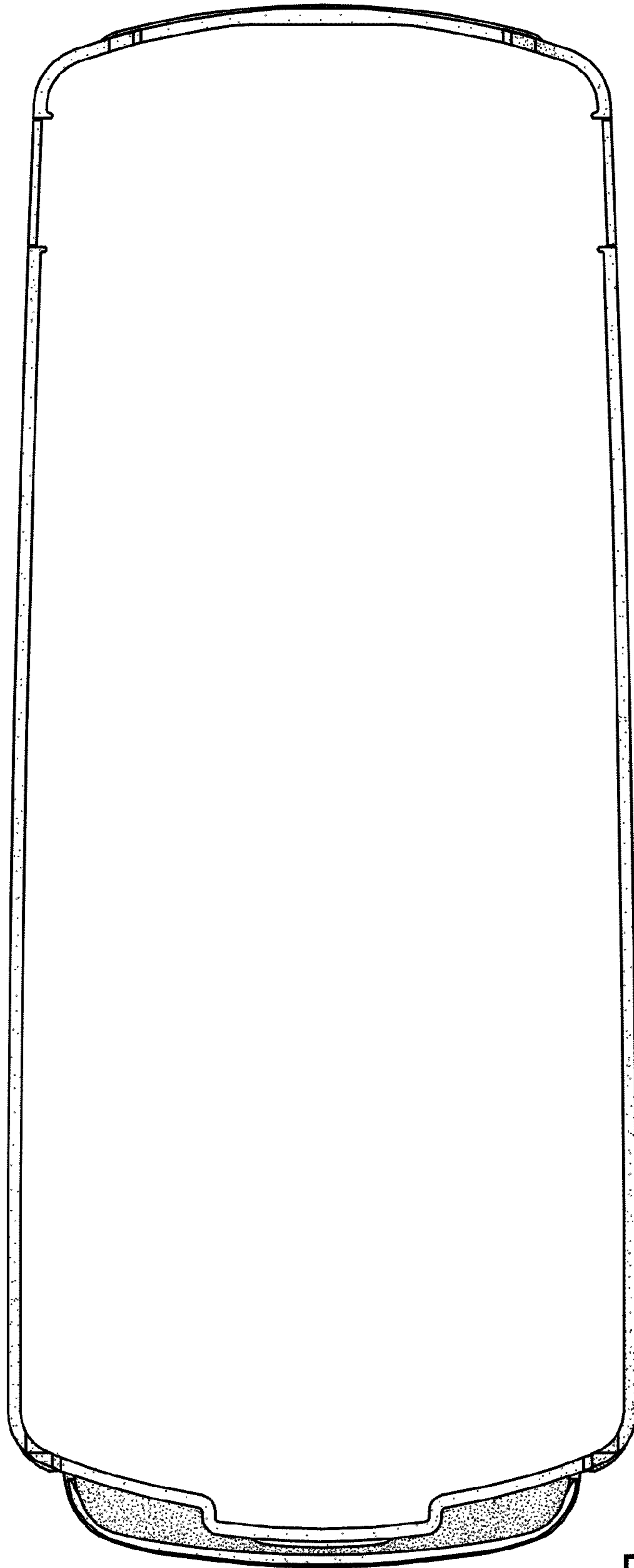


FIG. 7