



US00D653481S

(12) **United States Design Patent**
Moreschi

(10) **Patent No.:** **US D653,481 S**

(45) **Date of Patent:** **** Feb. 7, 2012**

(54) **CHAIR PART**

(75) Inventor: **Sergio Moreschi**, Brescia (IT)

(73) Assignee: **CO. FE. MO. Industrie S.r.l.**,
Castegnato (IT)

(**) Term: **14 Years**

(21) Appl. No.: **29/375,755**

(22) Filed: **Sep. 27, 2010**

(30) **Foreign Application Priority Data**

Mar. 26, 2010 (EM) 0001687500

(51) **LOC (9) Cl.** **06-01**

(52) **U.S. Cl.** **D6/500**

(58) **Field of Classification Search** D6/310,
D6/334-336, 348, 358-381, 500-502; 297/31,
297/239, 271.6, 11.2, 300.1-300.8, 301.2-301.7,
297/303.3-303.5, 344.19, 411.27, 411.28,
297/440.13, 440.15, 445.1, 446.1, 446.2,
297/452.13, 452.18, 463.1

See application file for complete search history.

(56) **References Cited**

U.S. PATENT DOCUMENTS

D285,633 S * 9/1986 Doerner D6/500
D290,073 S * 6/1987 Doerner D6/500
D292,459 S * 10/1987 Doerner D6/500
D433,852 S * 11/2000 Zhou D6/500
D447,652 S * 9/2001 Beggs D6/500
D450,957 S * 11/2001 Asbjørnsen D6/500
D464,831 S * 10/2002 Patton D6/500
D468,940 S * 1/2003 Chen D6/500

D473,737 S * 4/2003 Klaesener et al. D6/500
D479,066 S * 9/2003 Klaesener et al. D6/500
D479,927 S * 9/2003 Hobb D6/500
D479,928 S * 9/2003 Klaesener et al. D6/500
D549,016 S * 8/2007 Donati D6/500
D550,989 S * 9/2007 Donati D6/500
D550,990 S * 9/2007 Donati D6/500
D550,991 S * 9/2007 Donati D6/500
D553,885 S * 10/2007 Matern D6/500
D557,946 S * 12/2007 Matern et al. D6/500
D573,815 S * 7/2008 Matern D6/500
D578,326 S * 10/2008 Donati D6/500
D579,241 S * 10/2008 Breen D6/500
D582,704 S * 12/2008 Donati D6/500
D582,705 S * 12/2008 Donati D6/500
D599,586 S * 9/2009 Moreschi D6/500
2002/0163242 A1 * 11/2002 Beggs 297/463.1
2004/0227387 A1 * 11/2004 Matern et al. 297/344.19

* cited by examiner

Primary Examiner — Ricky Pham

(74) *Attorney, Agent, or Firm* — Pearne & Gordon LLP

(57) **CLAIM**

The ornamental design for a chair part, as shown and described.

DESCRIPTION

FIG. 1 is a front-right perspective view of a chair part, showing my new design;

FIG. 2 is a back-left perspective view thereof;

FIG. 3 is a left side elevational view thereof;

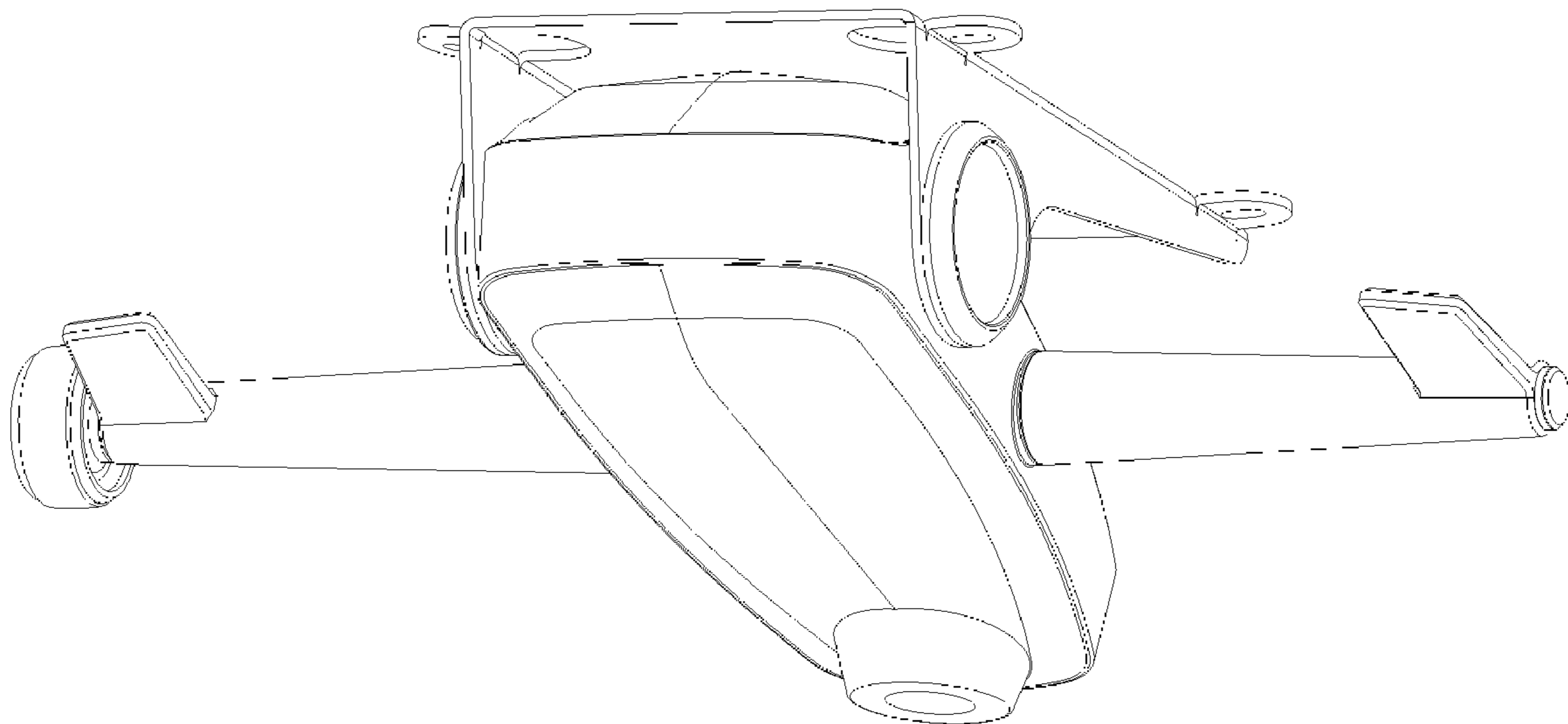
FIG. 4 is a right side elevational view thereof;

FIG. 5 is a back elevational view thereof;

FIG. 6 is a bottom plan view thereof; and,

FIG. 7 is a front elevational view thereof.

1 Claim, 7 Drawing Sheets



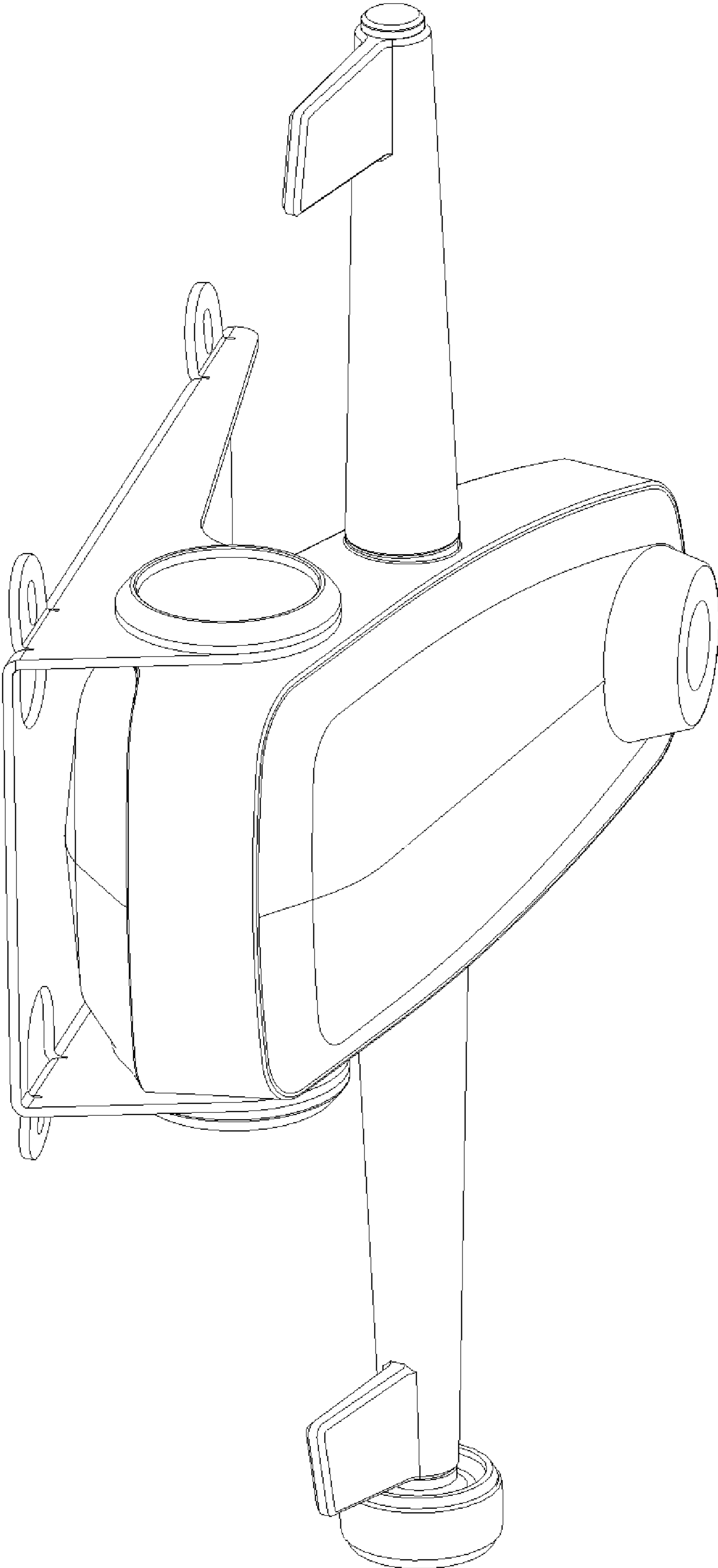


FIG. 1

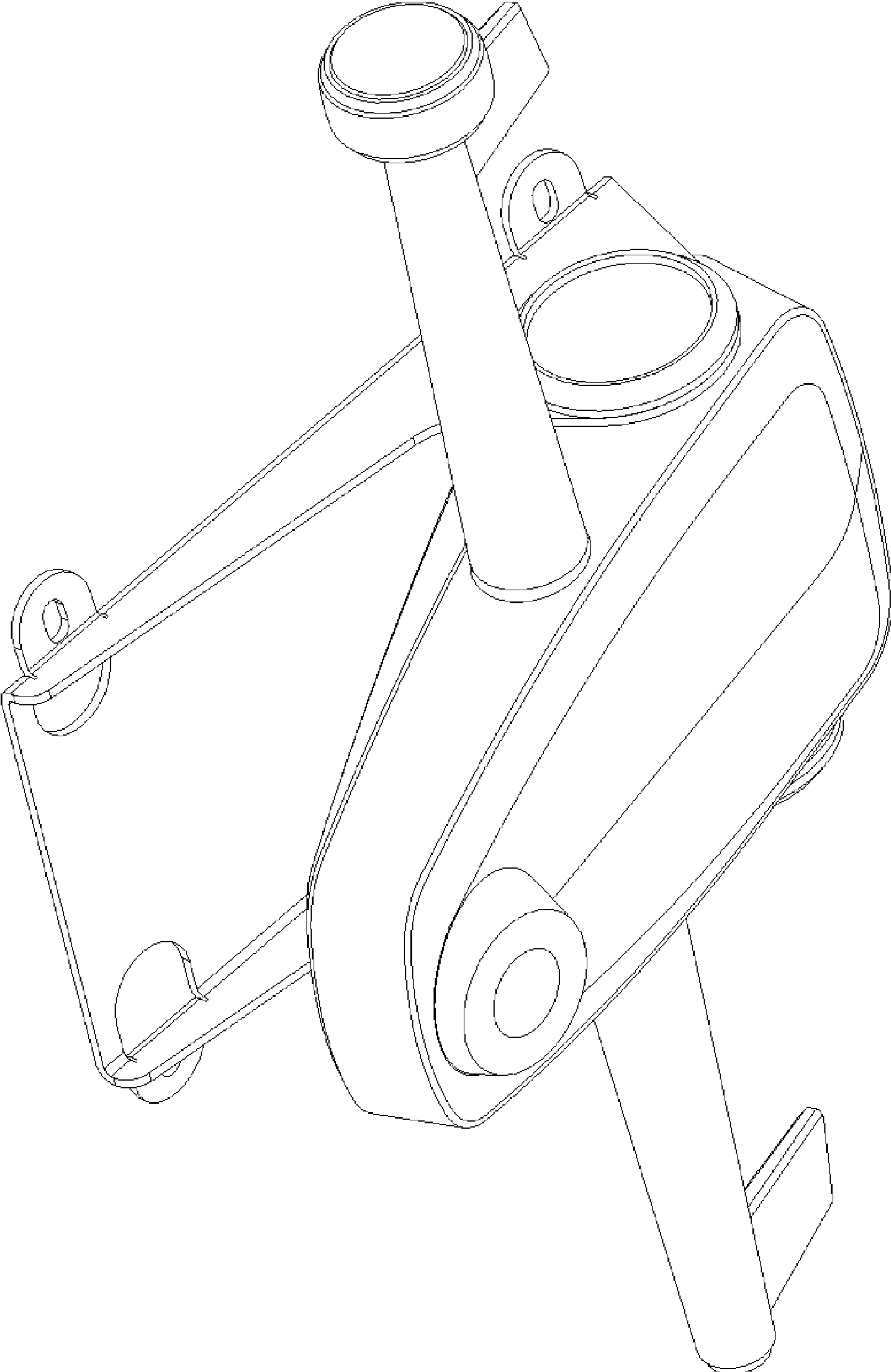


FIG. 2

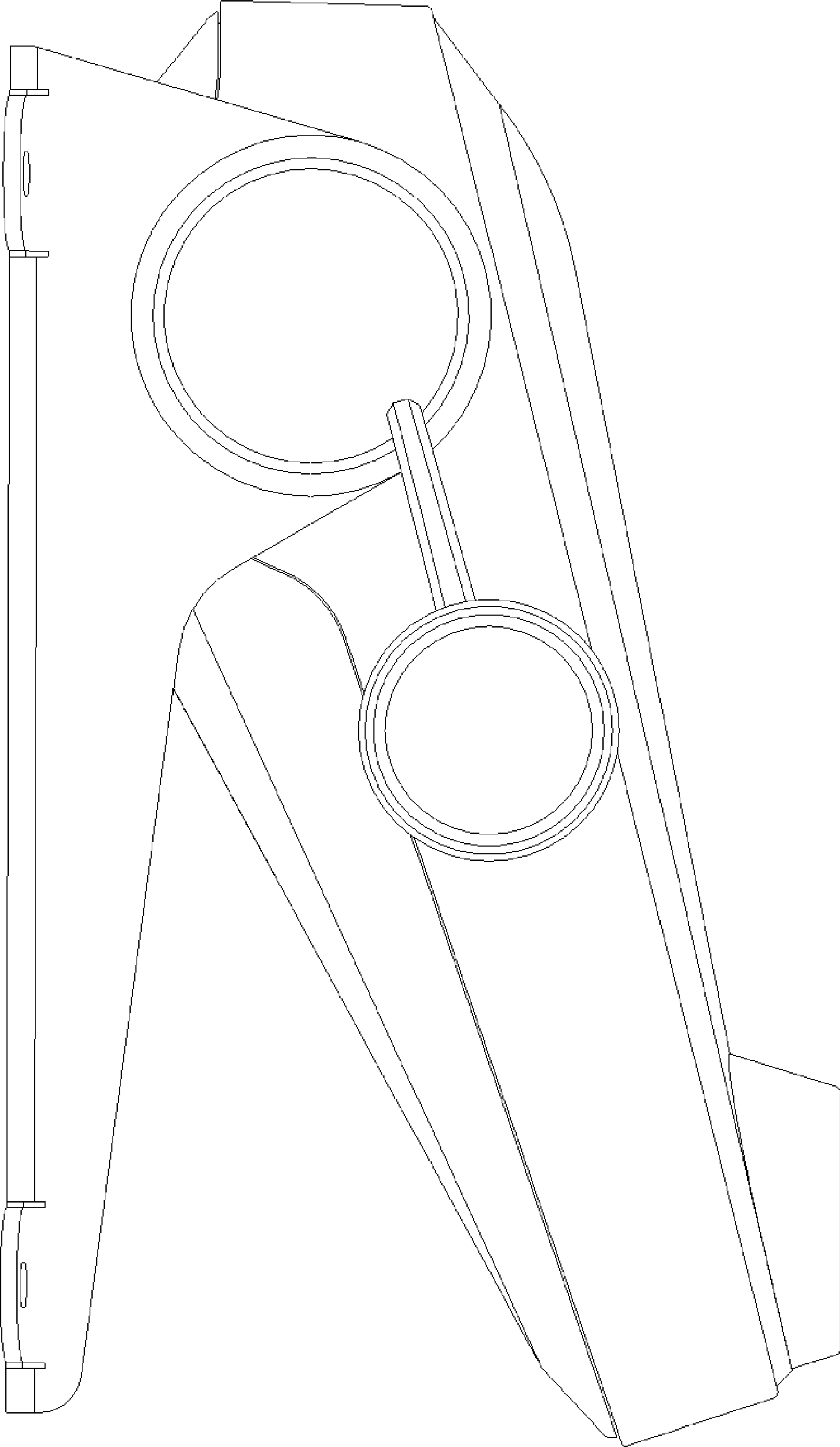


FIG. 3

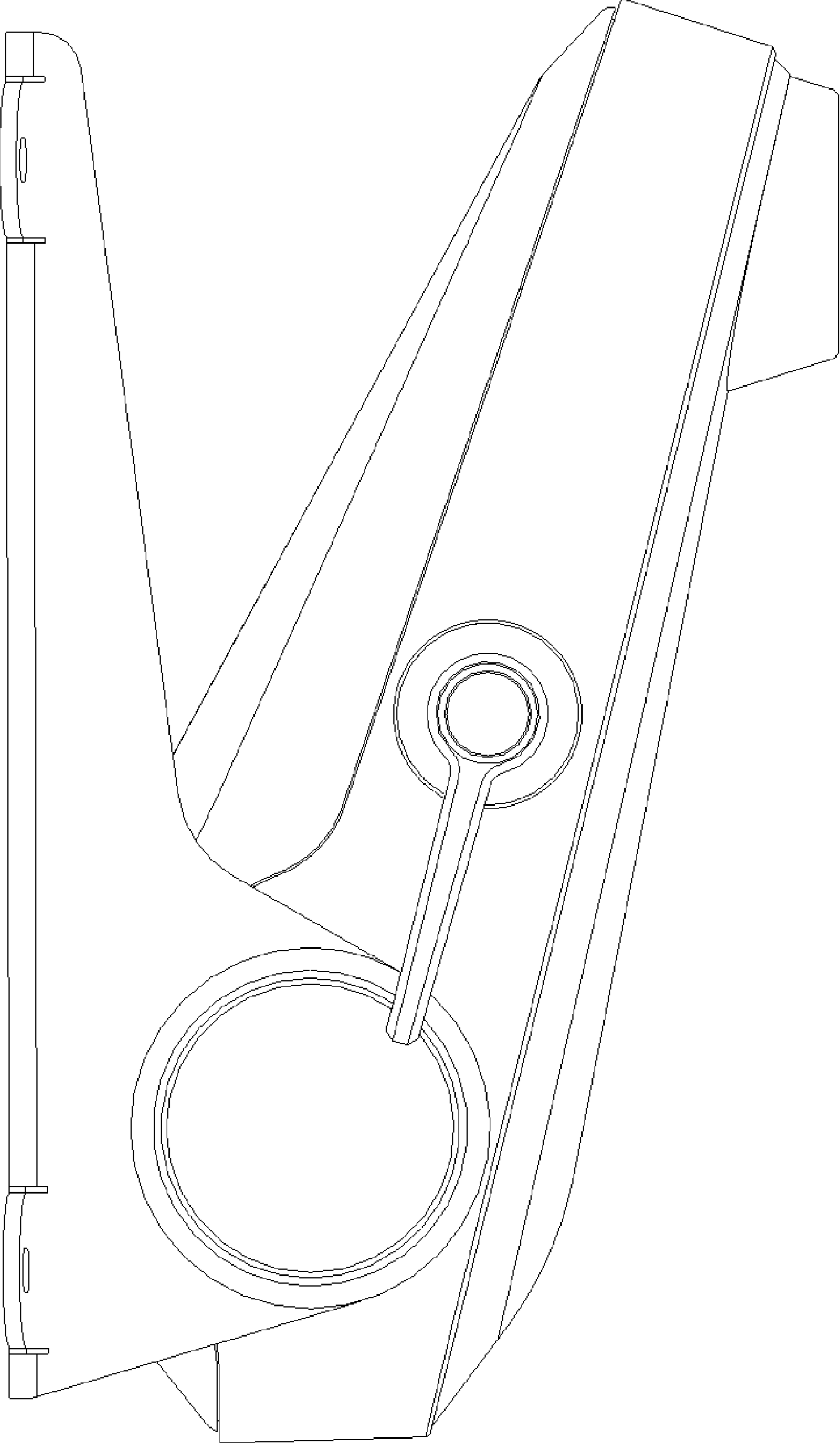


FIG. 4

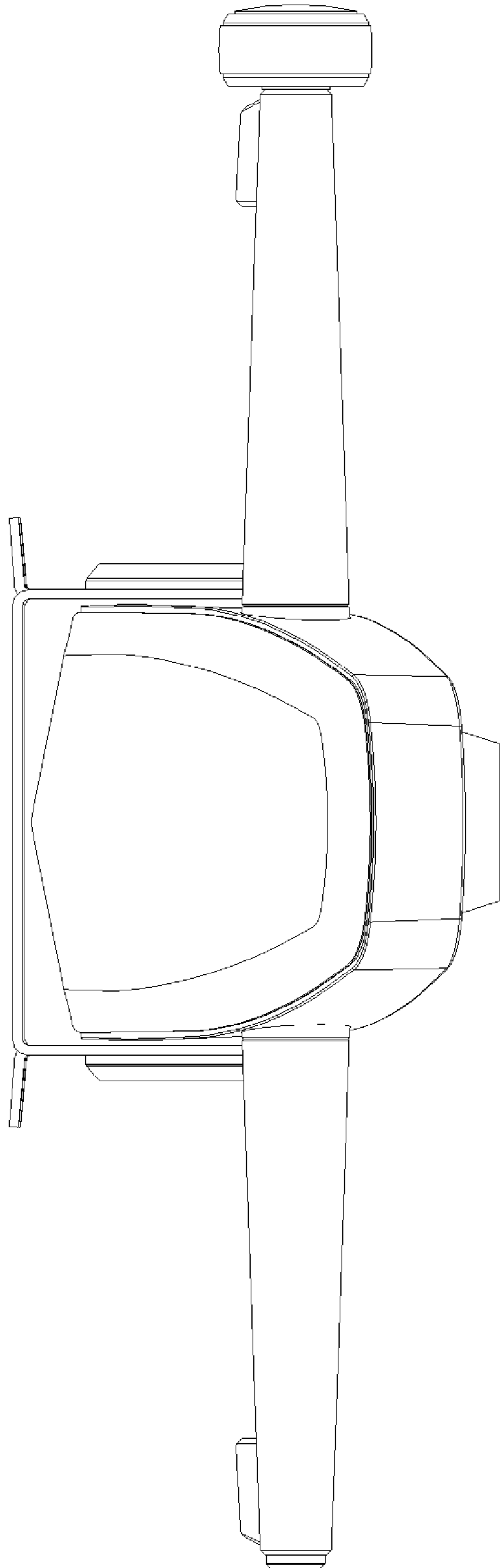


FIG. 5

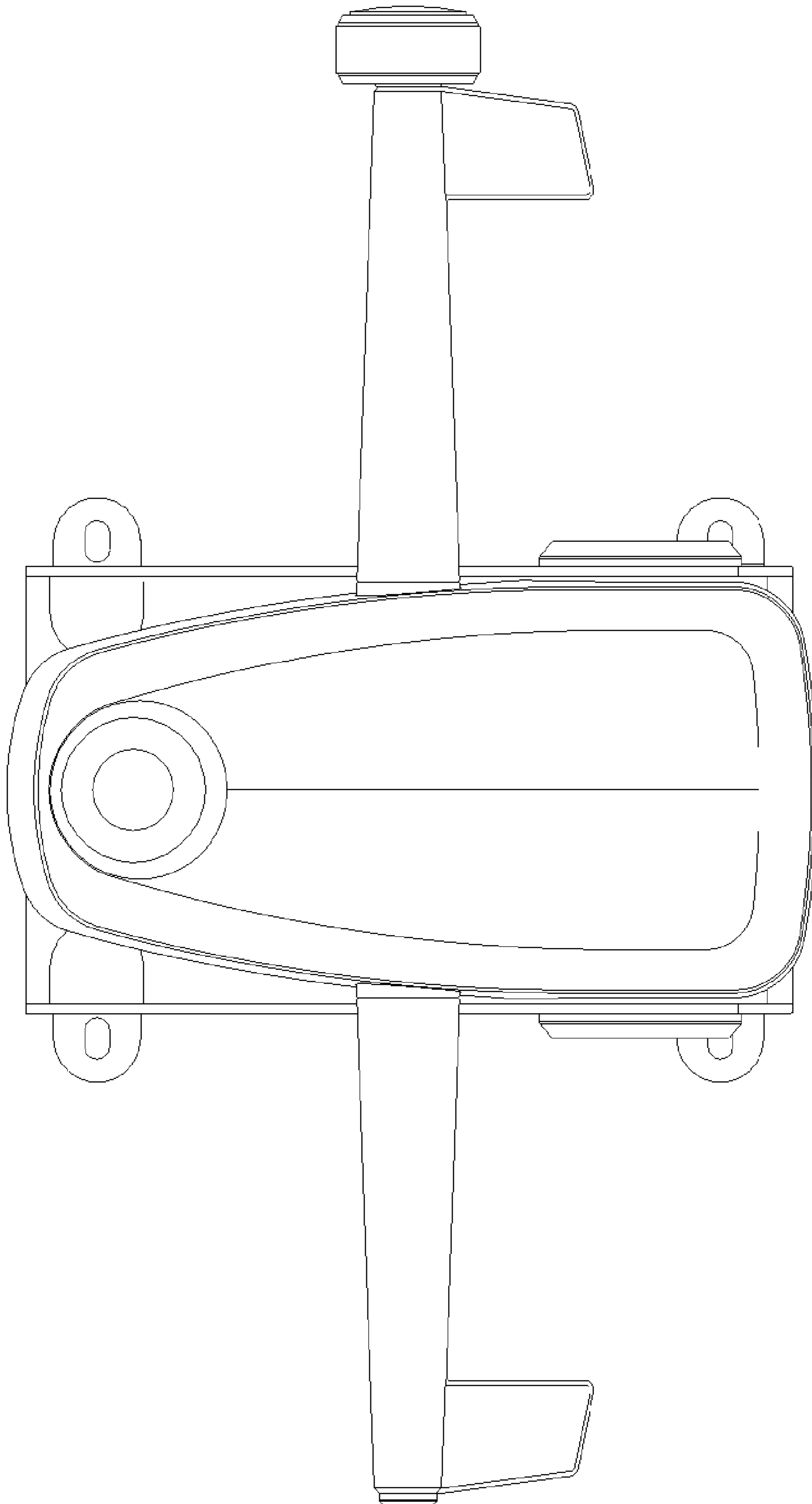


FIG. 6

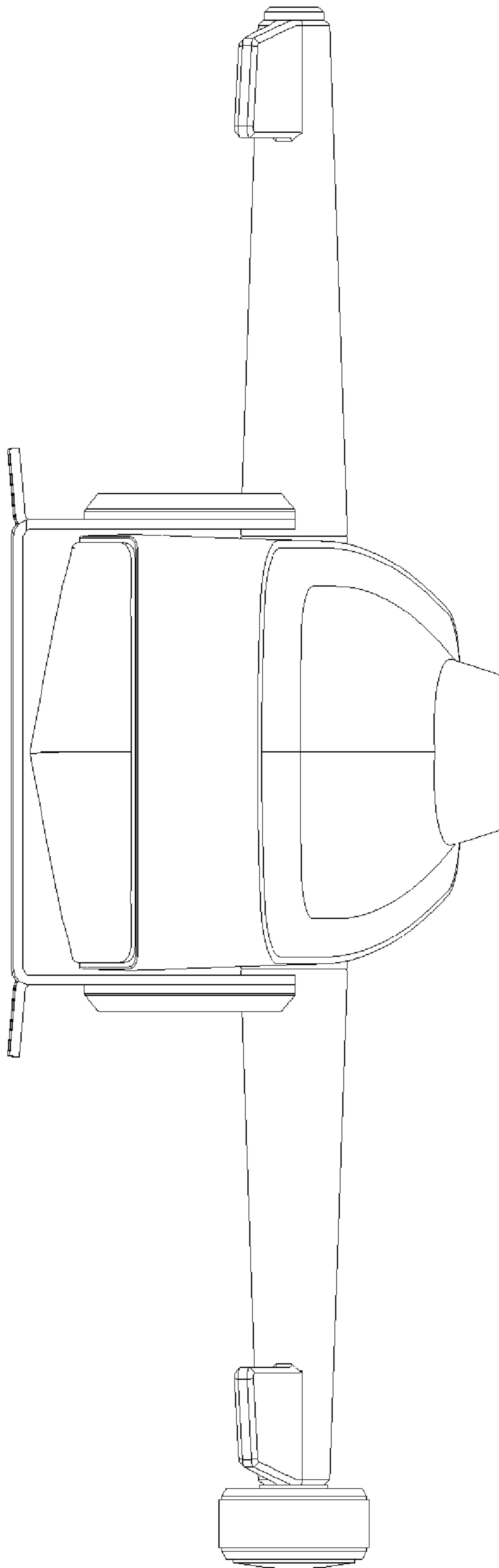


FIG. 7