



US00D653478S

(12) **United States Design Patent**  
**Soewondo**

(10) **Patent No.:** **US D653,478 S**  
(45) **Date of Patent:** **\*\* Feb. 7, 2012**

(54) **ROCKASAN BASE**

(75) **Inventor:** **Patricia Pamela Soewondo**, Jakarta Selatan (ID)

(73) **Assignee:** **Pier 1 Services Company**, Fort Worth, TX (US)

(\*\*) **Term:** **14 Years**

(21) **Appl. No.:** **29/361,788**

(22) **Filed:** **May 14, 2010**

(51) **LOC (9) Cl.** ..... **06-06**

(52) **U.S. Cl.** ..... **D6/495**

(58) **Field of Classification Search** ..... D6/310,  
D6/334-338, 348, 358-381, 498, 500-502;  
29/446; 248/179.1; 297/31, 133, 239, 259.1,  
297/265.1, 268.1, 270.3, 271.6, 11.2, 411.27,  
297/411.28, 440.13, 440.15, 445.1, 446.1,  
297/446.2, 452.13, 452.18; 482/142, 146

See application file for complete search history.

(56) **References Cited**

**U.S. PATENT DOCUMENTS**

2,785,733	A	3/1957	Witty	155/116
2,793,375	A	5/1957	Wardell, Jr.	5/105
2,939,430	A	3/1960	Blom	155/77
3,526,429	A	9/1970	Metzger	297/258
3,899,210	A	8/1975	Samhammer et al.	297/445
D245,132	S	7/1977	Gale, Jr.	D6/38
4,141,588	A	2/1979	Anderson	297/258
4,183,521	A *	1/1980	Kroeker	482/146
D265,950	S	8/1982	Martin	D6/10

4,411,468	A *	10/1983	Apissomian	297/268.1
4,592,126	A *	6/1986	Bottemiller	29/446
4,786,106	A *	11/1988	Bottemiller	297/265.1
5,186,424	A *	2/1993	Shultz et al.	248/179.1
5,695,253	A	12/1997	Jenkins	297/452.64
5,887,944	A	3/1999	Boost	297/258.1
5,931,530	A *	8/1999	Liu	297/270.3
D456,186	S *	4/2002	Liu	D6/498
6,416,123	B1 *	7/2002	Bell	297/133
D569,115	S *	5/2008	McCoy et al.	D6/365
D594,239	S	6/2009	Lake et al.	D6/348
7,597,397	B2 *	10/2009	McCoy et al.	297/259.1
D611,261	S *	3/2010	Igarashi	D6/365
7,713,182	B2 *	5/2010	Bizzell et al.	482/142
D636,612	S *	4/2011	Overthun et al.	D6/338

\* cited by examiner

*Primary Examiner* — Ricky Pham

(74) *Attorney, Agent, or Firm* — Baker Botts L.L.P.

(57) **CLAIM**

The ornamental design for a rockasan base, as shown and described.

**DESCRIPTION**

FIG. 1 shows an isometric view of a rockasan base of my new design;

FIG. 2 shows the side elevation view of FIG. 1;

FIG. 3 shows the front elevation view of FIG. 1;

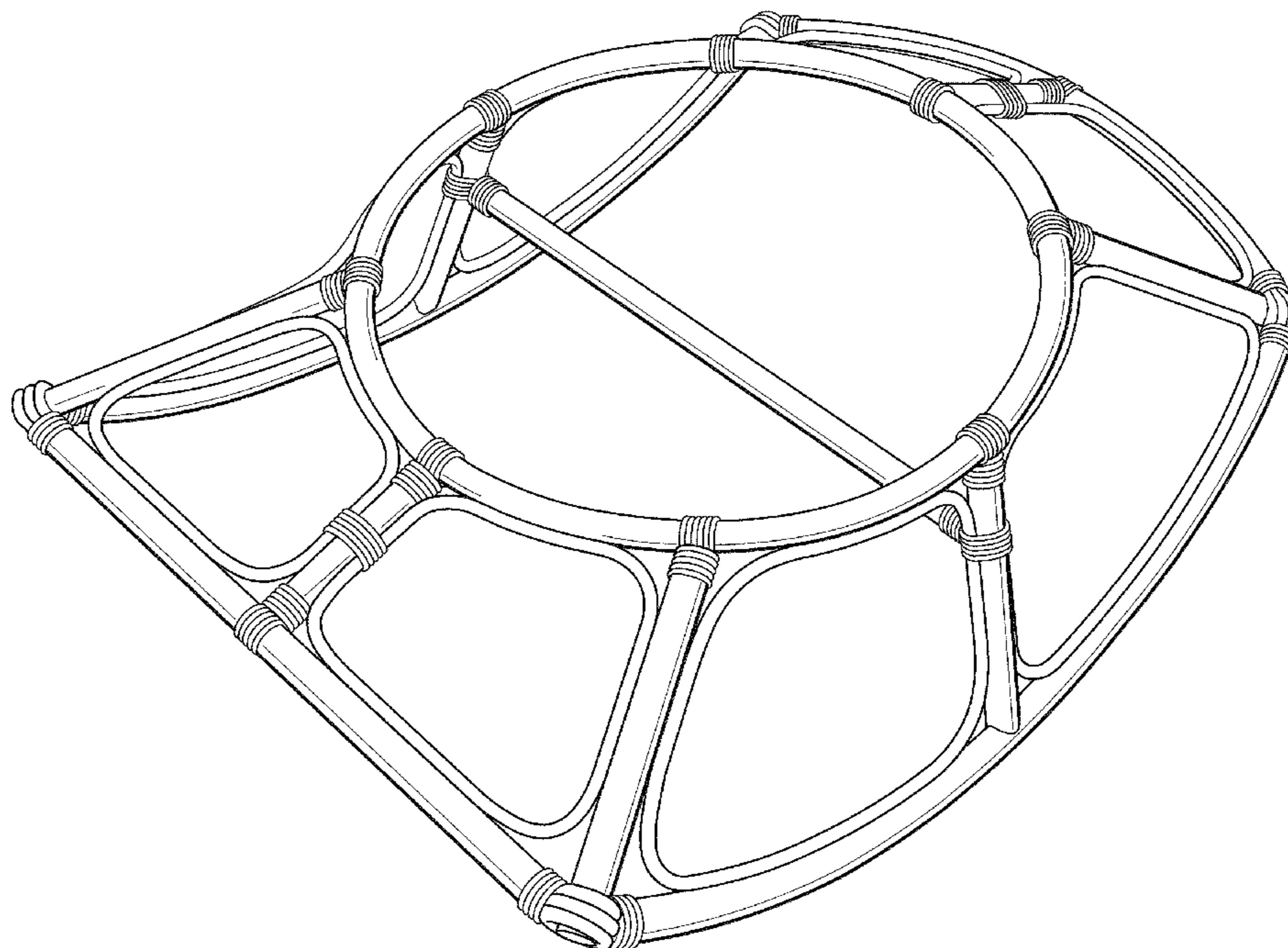
FIG. 4 shows the back elevation view of FIG. 1;

FIG. 5 shows the top view of FIG. 1; and,

FIG. 6 shows the bottom view of n FIG. 1.

The figures show a base for use with a Rockasan.

**1 Claim, 5 Drawing Sheets**



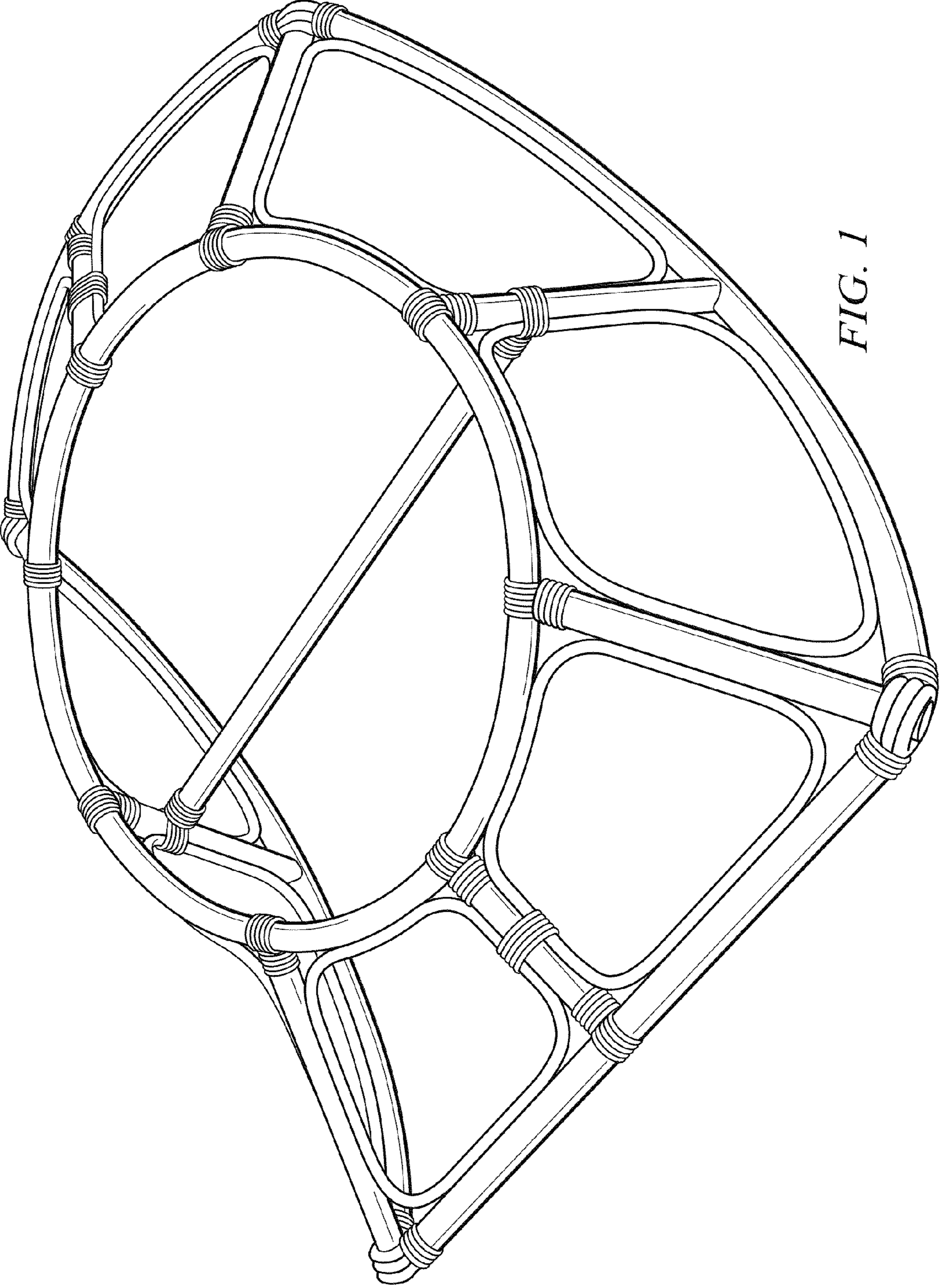


FIG. 1

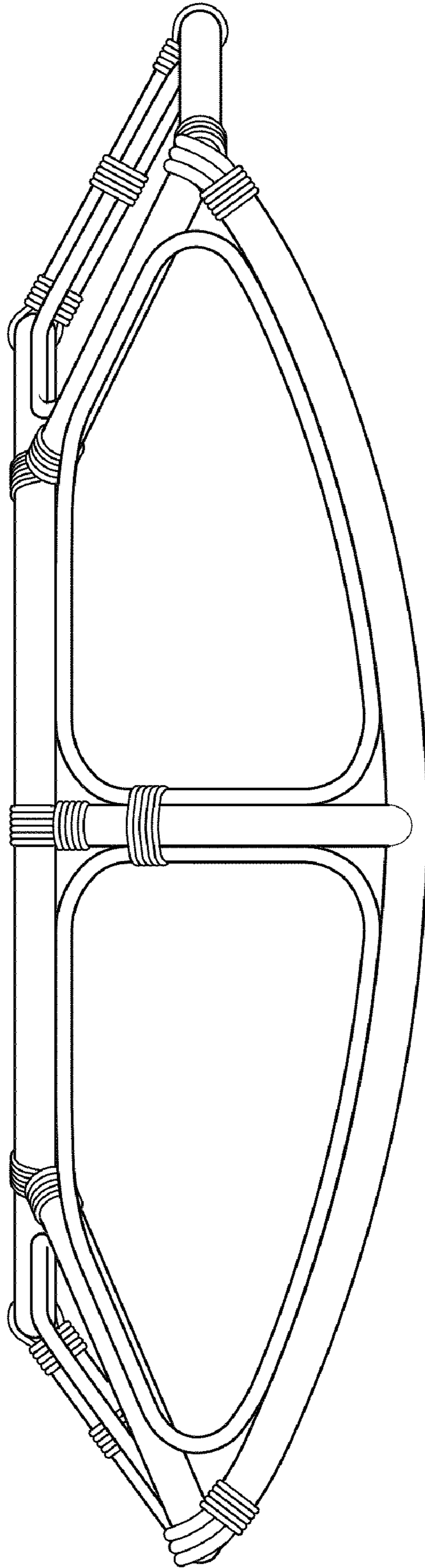
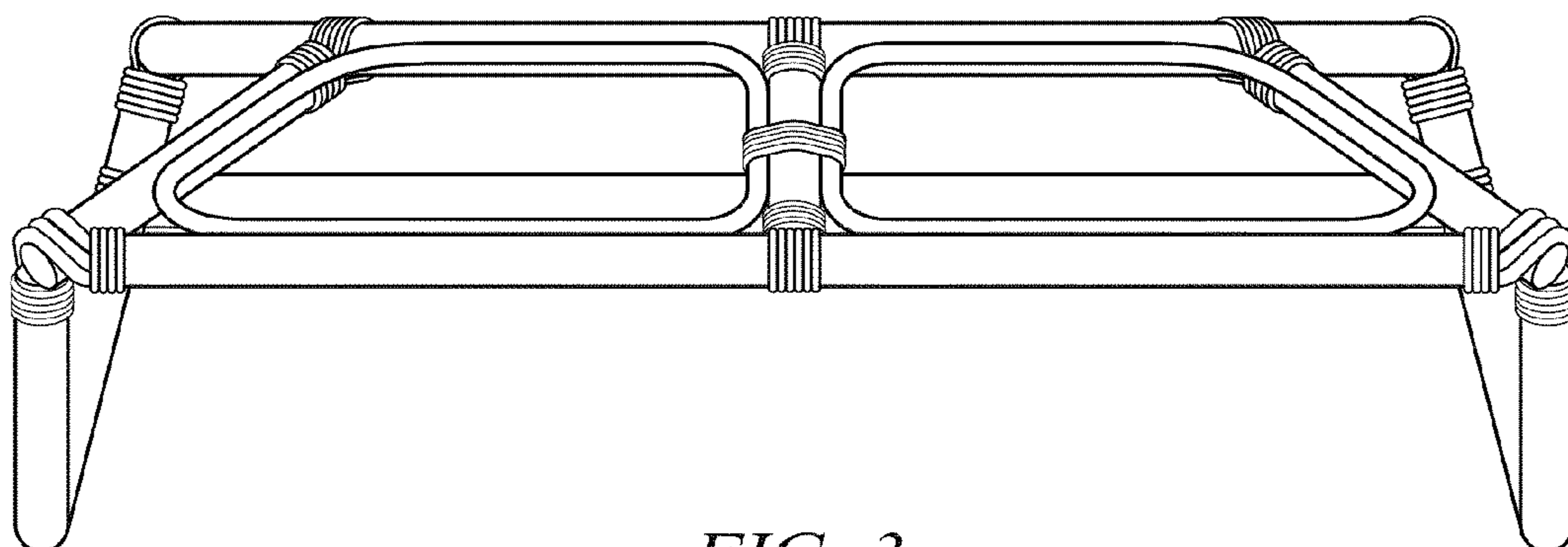
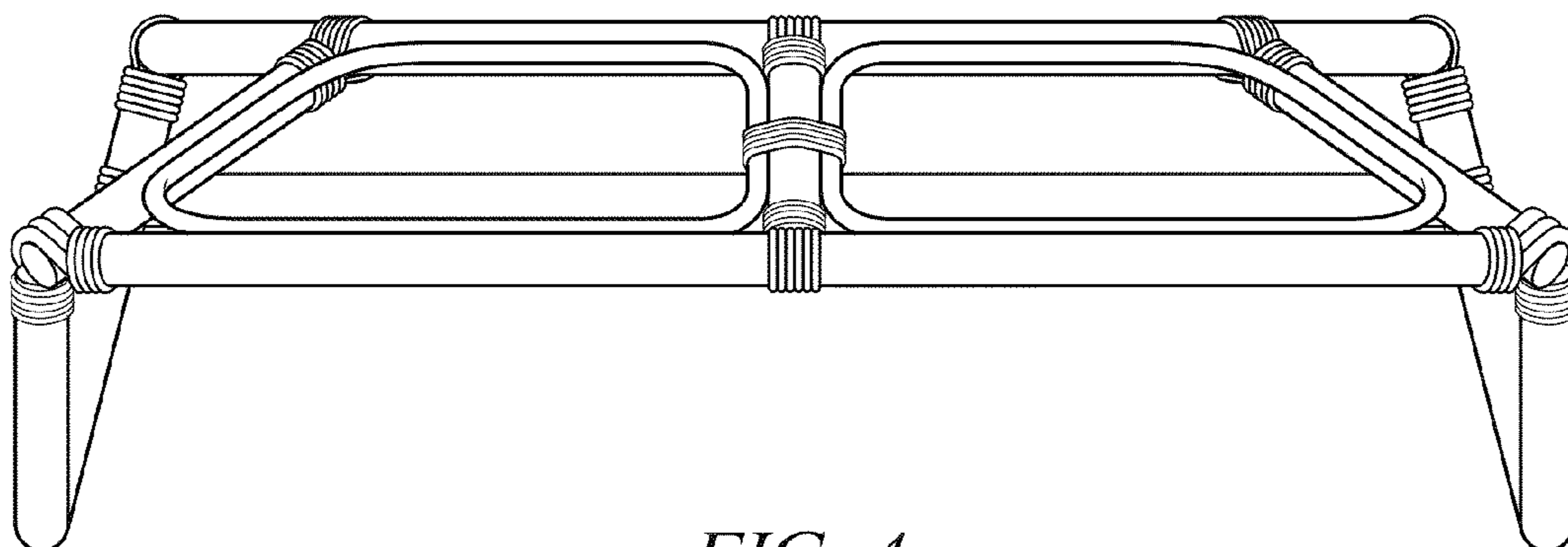


FIG. 2



*FIG. 3*



*FIG. 4*

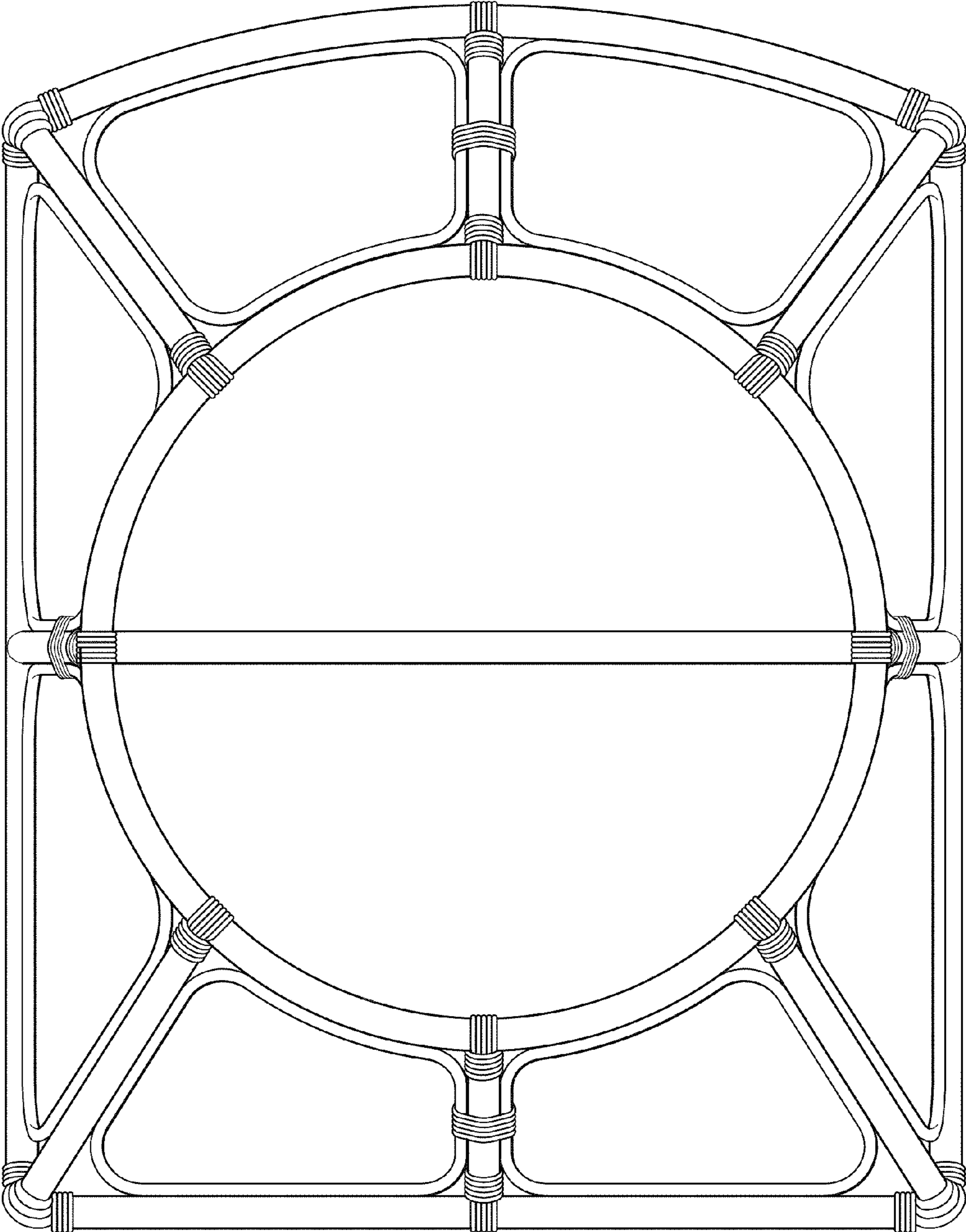


FIG. 5

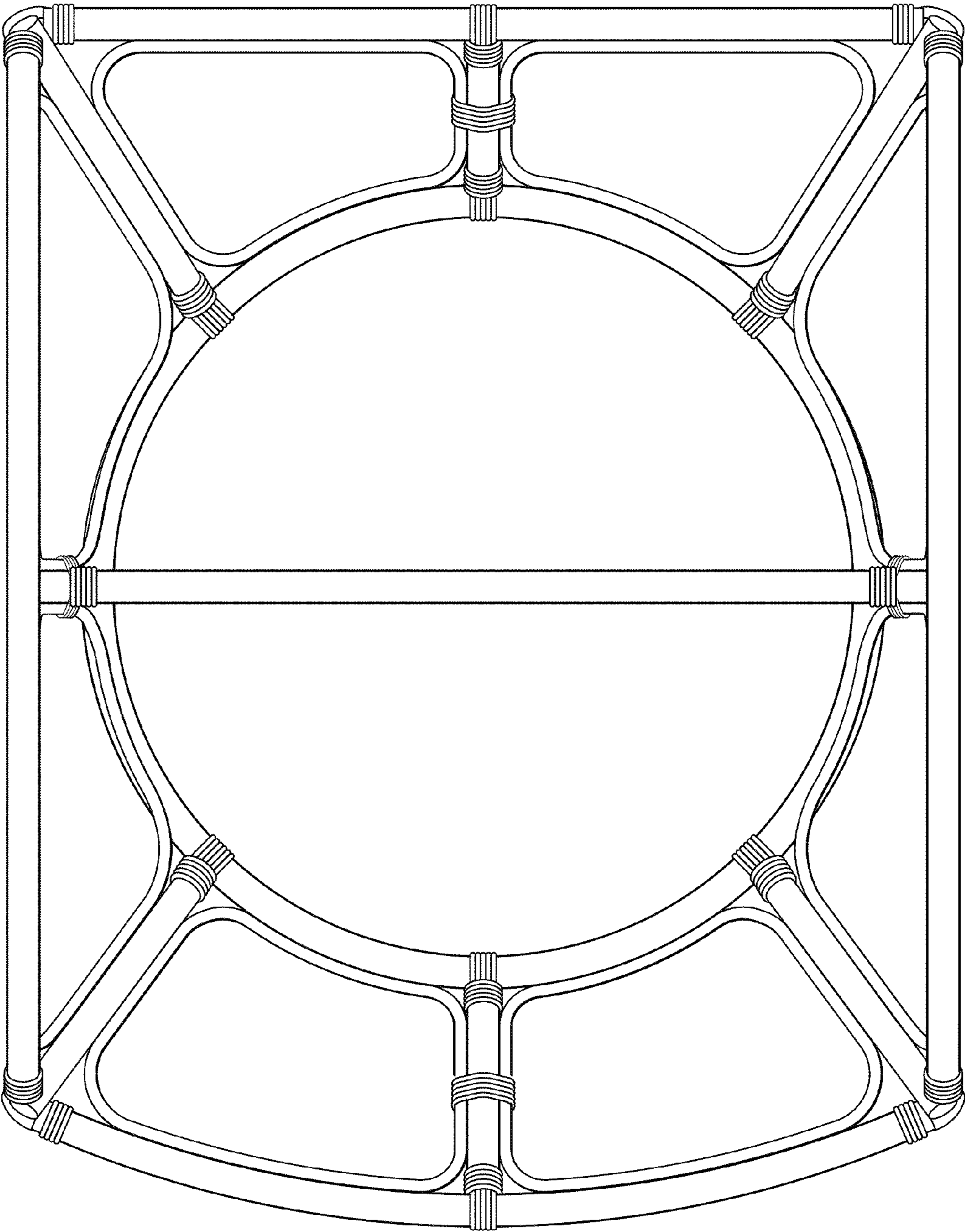


FIG. 6