



US00D653474S

(12) **United States Design Patent**
Garcia et al.

(10) **Patent No.:** **US D653,474 S**

(45) **Date of Patent:** **** Feb. 7, 2012**

(54) **PLANT STAND**

(76) Inventors: **Juan Garcia**, Staten Island, NY (US);
Alexandra Garcia, Staten Island, NY
(US)

(**) Term: **14 Years**

(21) Appl. No.: **29/400,663**

(22) Filed: **Aug. 31, 2011**

(51) **LOC (9) Cl.** **11-02**

(52) **U.S. Cl.** **D6/404**

(58) **Field of Classification Search** D6/403–405,
D6/452, 556–558; D8/1; D11/143–156,
D11/164; D19/77, 80, 81, 84; D25/100;
D26/9–11, 16, 19; D34/1, 2, 4–6; D99/5,
D99/19; 47/17, 32.4, 32.5, 32.7, 41.01, 41.1,
47/41.11–41.15, 44–47, 63, 65.5, 65.9, 66.1,
47/66.2, 66.6, 66.7, 67–71

See application file for complete search history.

(56) **References Cited**

U.S. PATENT DOCUMENTS

D17,023 S *	12/1886	Tappan	D11/149
D248,430 S *	7/1978	Bussey et al.	D6/351
D277,245 S *	1/1985	Unverzagt	D6/452
D278,765 S *	5/1985	Crawford	D6/452
D286,447 S *	10/1986	Satterfield	D27/114
D290,320 S *	6/1987	Cornette	D8/1
D355,997 S *	3/1995	Zandstra	D6/491
D372,137 S *	7/1996	Hollinger	D6/403

D377,430 S *	1/1997	Hopwood	D6/452
D434,247 S	11/2000	Rosenberg		
D449,180 S	10/2001	Blake		
D450,261 S *	11/2001	Steere	D11/149
D478,735 S	8/2003	Sellers		
D484,715 S	1/2004	Missry		
D497,494 S *	10/2004	Tseng	D6/403
D555,388 S	11/2007	Yeh		
2003/0066937 A1	4/2003	Smith		
2006/0086870 A1	4/2006	Nida		

FOREIGN PATENT DOCUMENTS

GB 2094054 * 7/2000

* cited by examiner

Primary Examiner — Garth Rademaker

(74) *Attorney, Agent, or Firm* — Goldstein Law Offices, P.C.

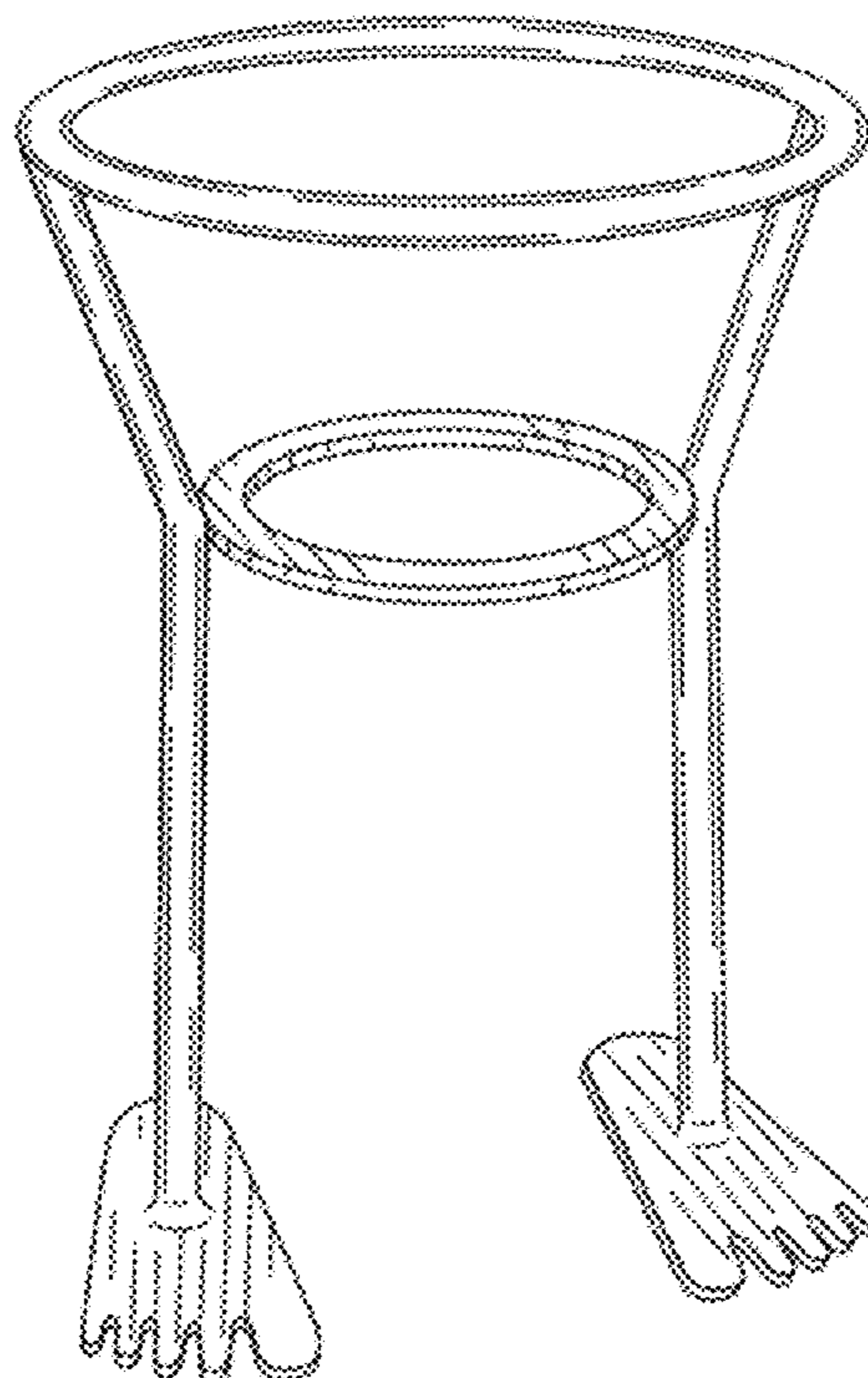
(57) **CLAIM**

The ornamental design for a plant stand, as shown and described.

DESCRIPTION

FIG. 1 is a perspective view of a plant stand.
FIG. 2 is a front elevational view of the plant stand.
FIG. 3 is a rear elevational view of the plant stand.
FIG. 4 is a right side elevational view thereof, the left side view being a mirror image of the right side view.
FIG. 5 is a top plan view thereof; and,
FIG. 6 is a bottom plan view thereof.

1 Claim, 3 Drawing Sheets



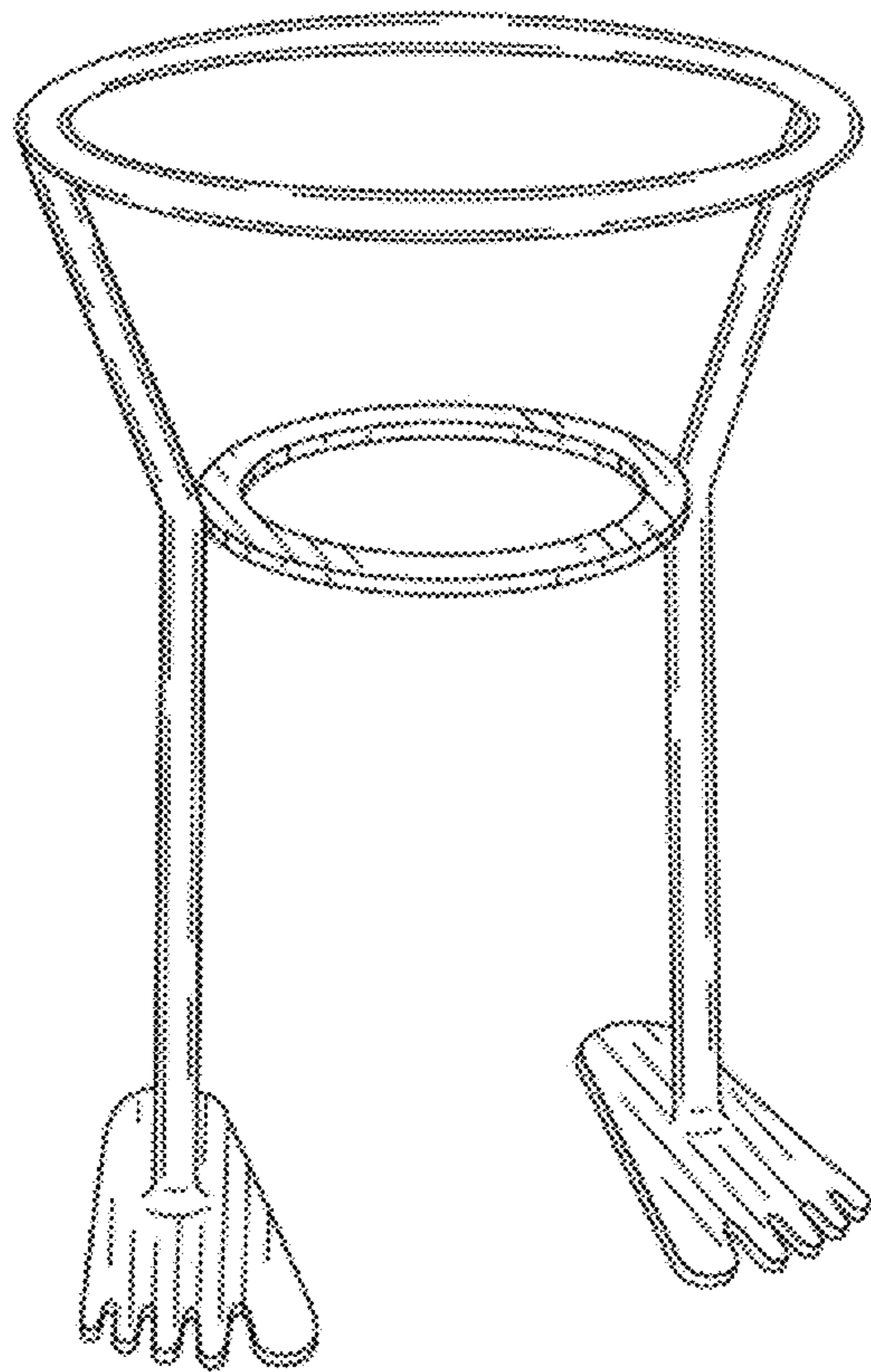


FIG. 1

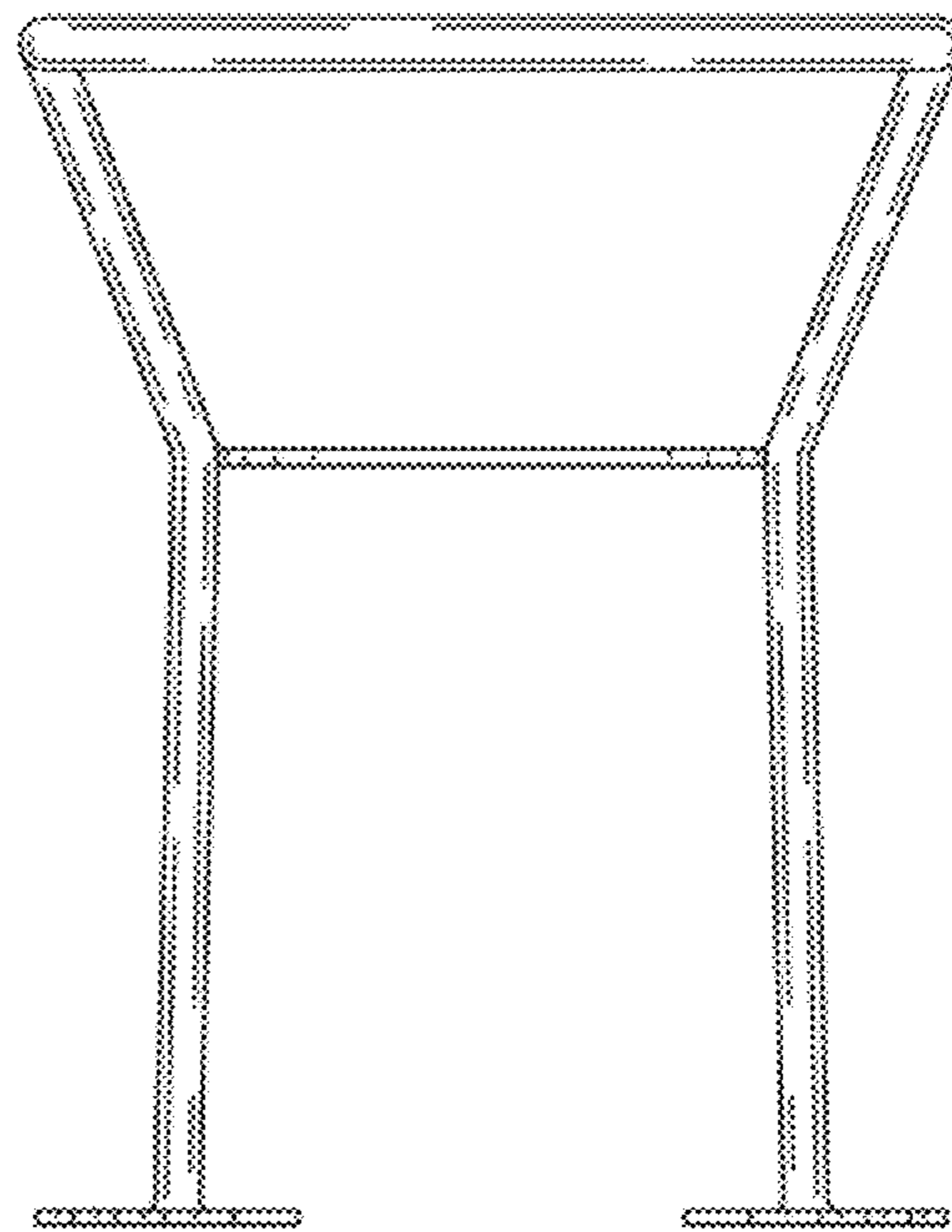


FIG. 2

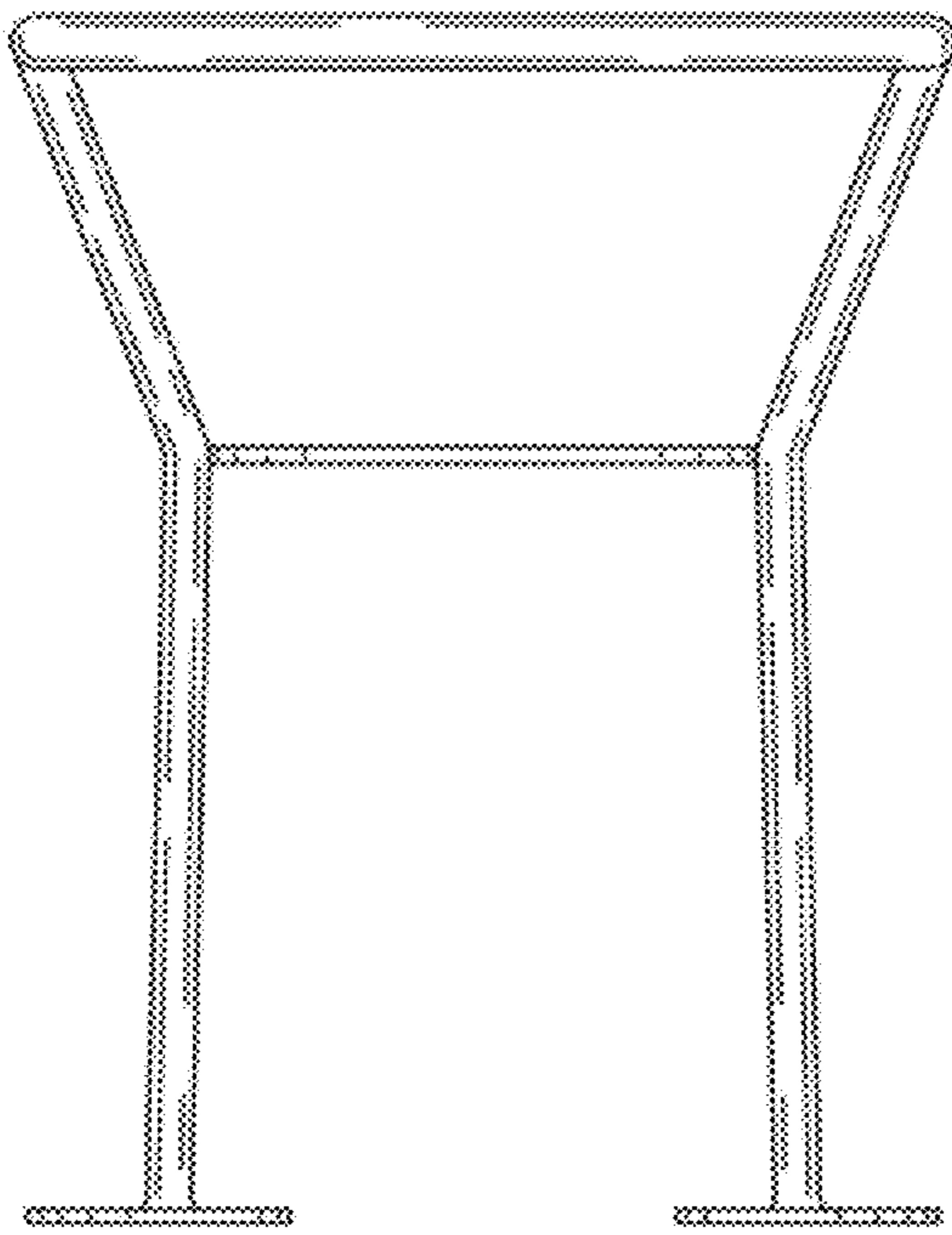


FIG. 3

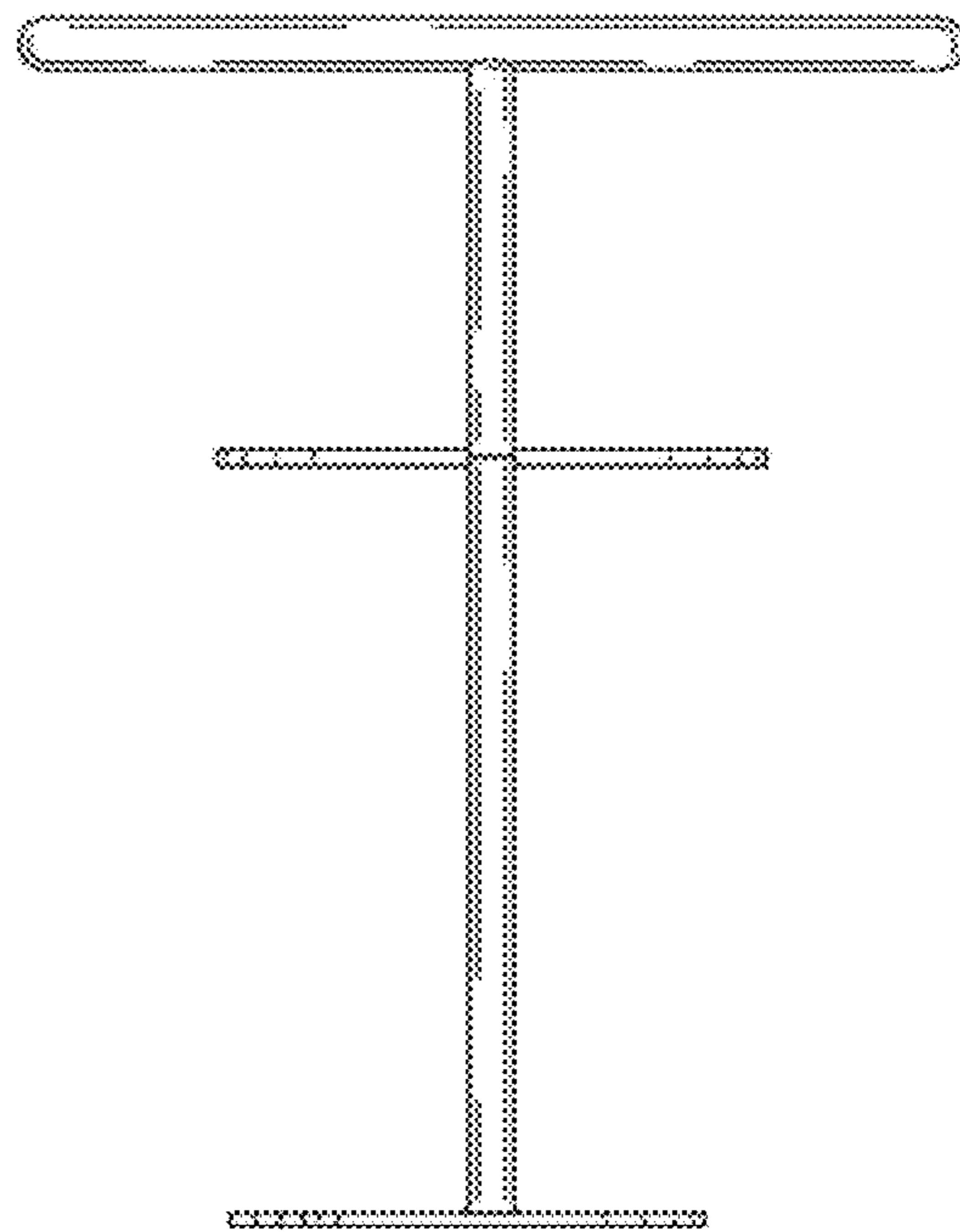


FIG. 4

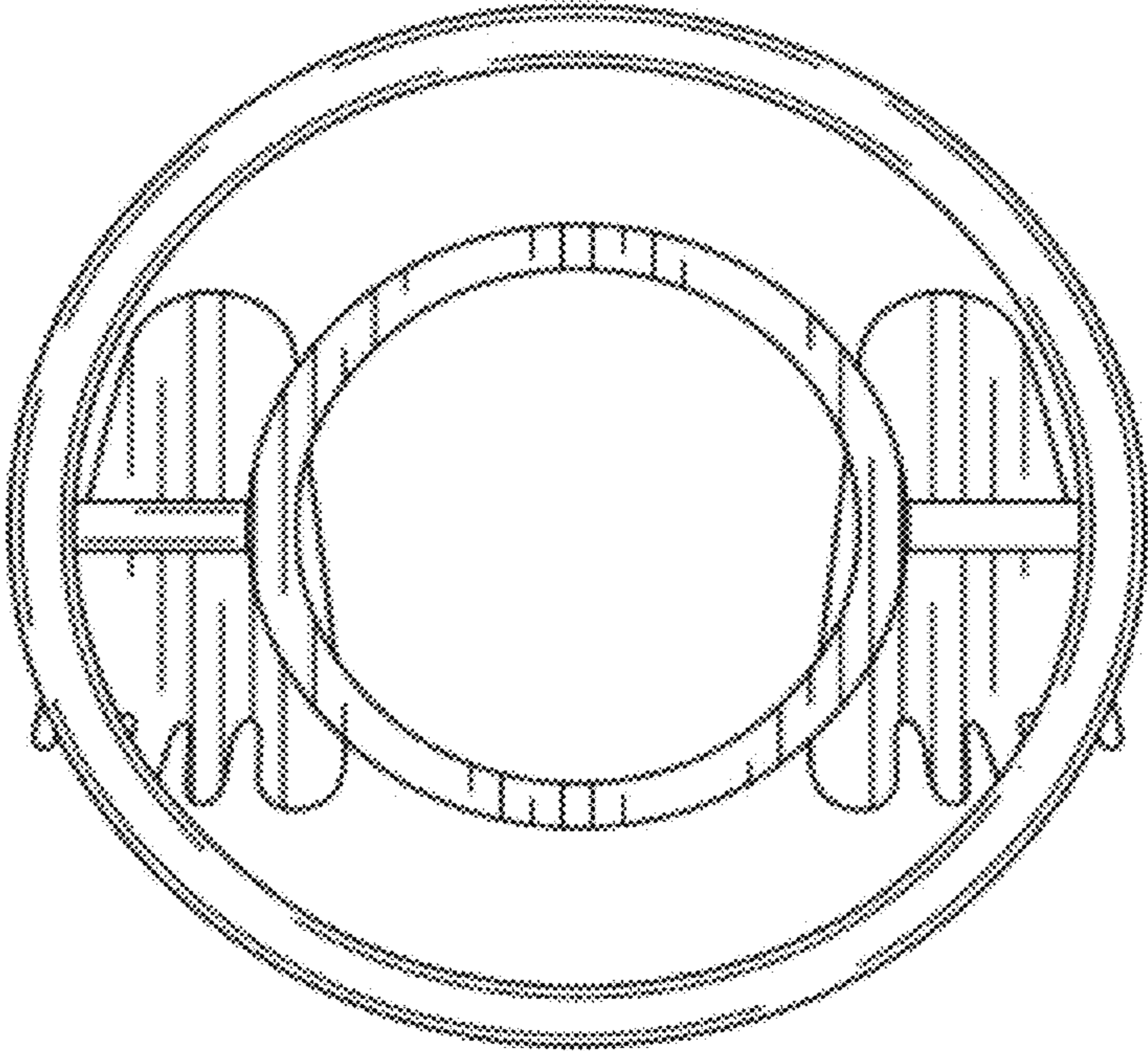


FIG. 5

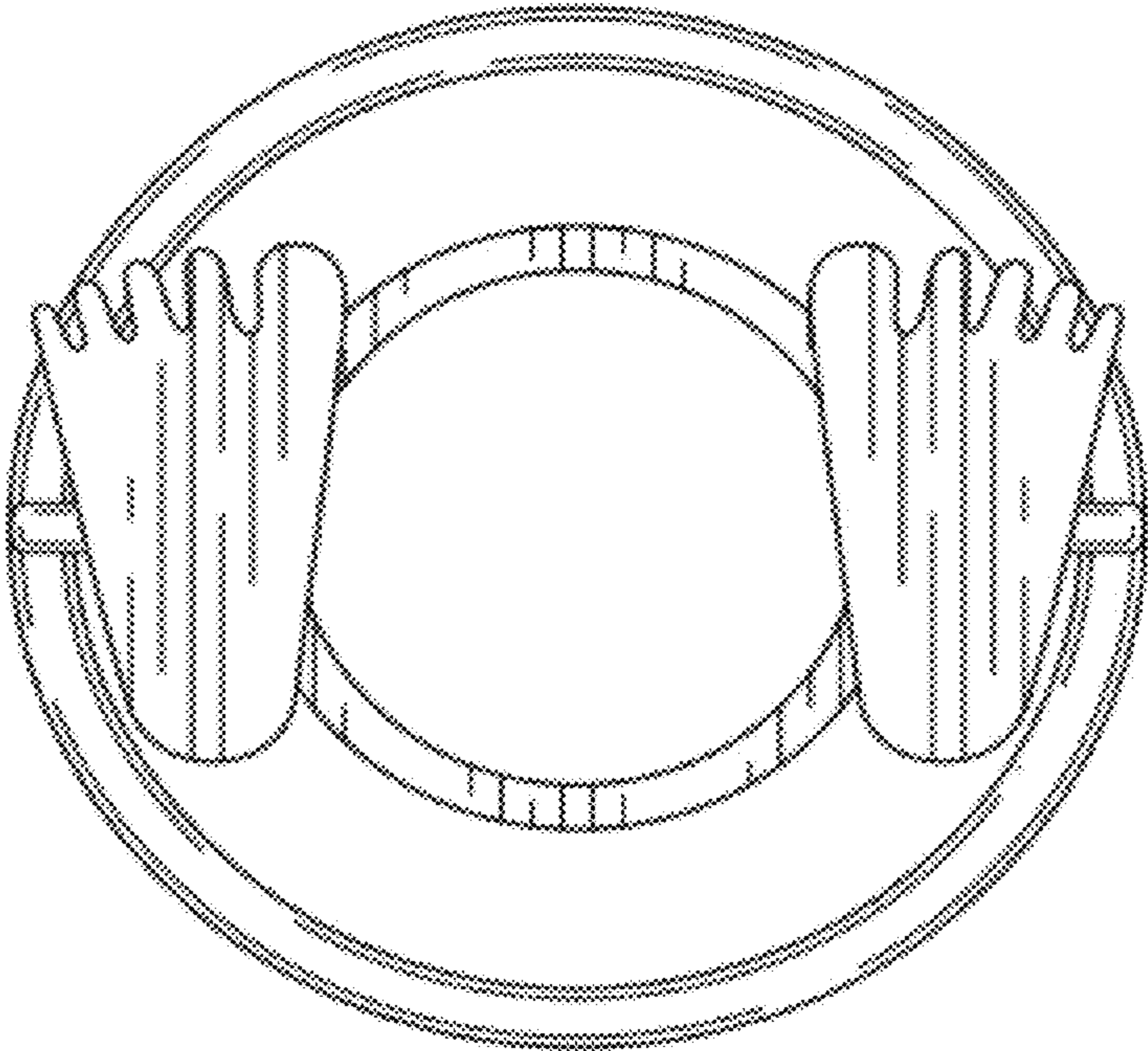


FIG. 6