



US00D653471S

(12) **United States Design Patent**  
**Chan**

(10) **Patent No.:** **US D653,471 S**

(45) **Date of Patent:** **\*\* Feb. 7, 2012**

(54) **FOLDING CHAIR**

(76) Inventor: **Yao-Leng Chan**, Taichung (TW)

(\*\*) Term: **14 Years**

(21) Appl. No.: **29/399,053**

(22) Filed: **Aug. 9, 2011**

(51) **LOC (9) Cl.** ..... **06-01**

(52) **U.S. Cl.** ..... **D6/368**

(58) **Field of Classification Search** ..... D6/334-336,  
D6/368, 371-373, 374, 376, 379, 380, 500-502;  
297/16.1, 40, 41, 55, 56, 58, 183.7, 452.1,  
297/452.21, 452.29, 452.36, 452.64

See application file for complete search history.

(56) **References Cited**

**U.S. PATENT DOCUMENTS**

D107,545	S	*	12/1937	O'Connor	.....	D6/368
2,294,340	A	*	8/1942	Mains	.....	297/58
2,753,922	A	*	7/1956	Grimland	.....	297/58
D214,267	S	*	5/1969	Moore et al.	.....	D6/368
3,767,261	A	*	10/1973	Rowland	.....	297/452.64
D435,977	S	*	1/2001	Ambasz	.....	D6/368
D436,457	S	*	1/2001	Ambasz	.....	D6/368

D458,468	S	*	6/2002	Levrangi	.....	D6/376
D465,665	S	*	11/2002	Ritchie et al.	.....	D6/368
D506,325	S	*	6/2005	Farber et al.	.....	D6/368
D544,225	S	*	6/2007	Cantarutti	.....	D6/368
D599,127	S	*	9/2009	Smith	.....	D6/368

\* cited by examiner

*Primary Examiner* — Mimoso De

(74) *Attorney, Agent, or Firm* — C. G. Mersereau; Nikolai & Mersereau, P.A.

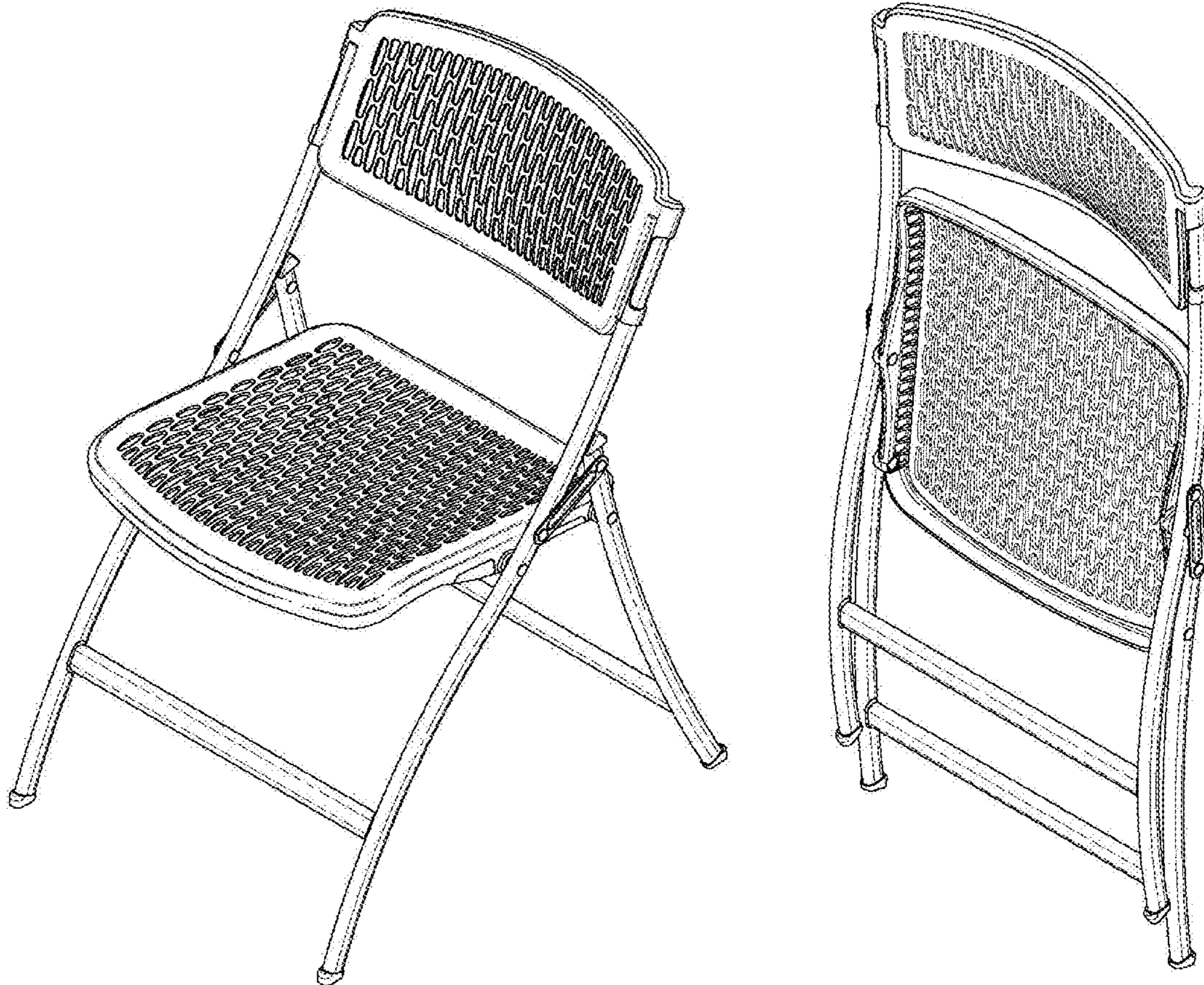
(57) **CLAIM**

The ornamental design for folding chair, as shown and described.

**DESCRIPTION**

FIG. 1 is a perspective view of folding chair;  
FIG. 2 is a front view thereof;  
FIG. 3 is a back view thereof;  
FIG. 4 is a left view thereof;  
FIG. 5 is a right view thereof;  
FIG. 6 is a top view thereof;  
FIG. 7 is a bottom view thereof; and,  
FIG. 8 is a perspective view thereof showing an example in use.

**1 Claim, 8 Drawing Sheets**



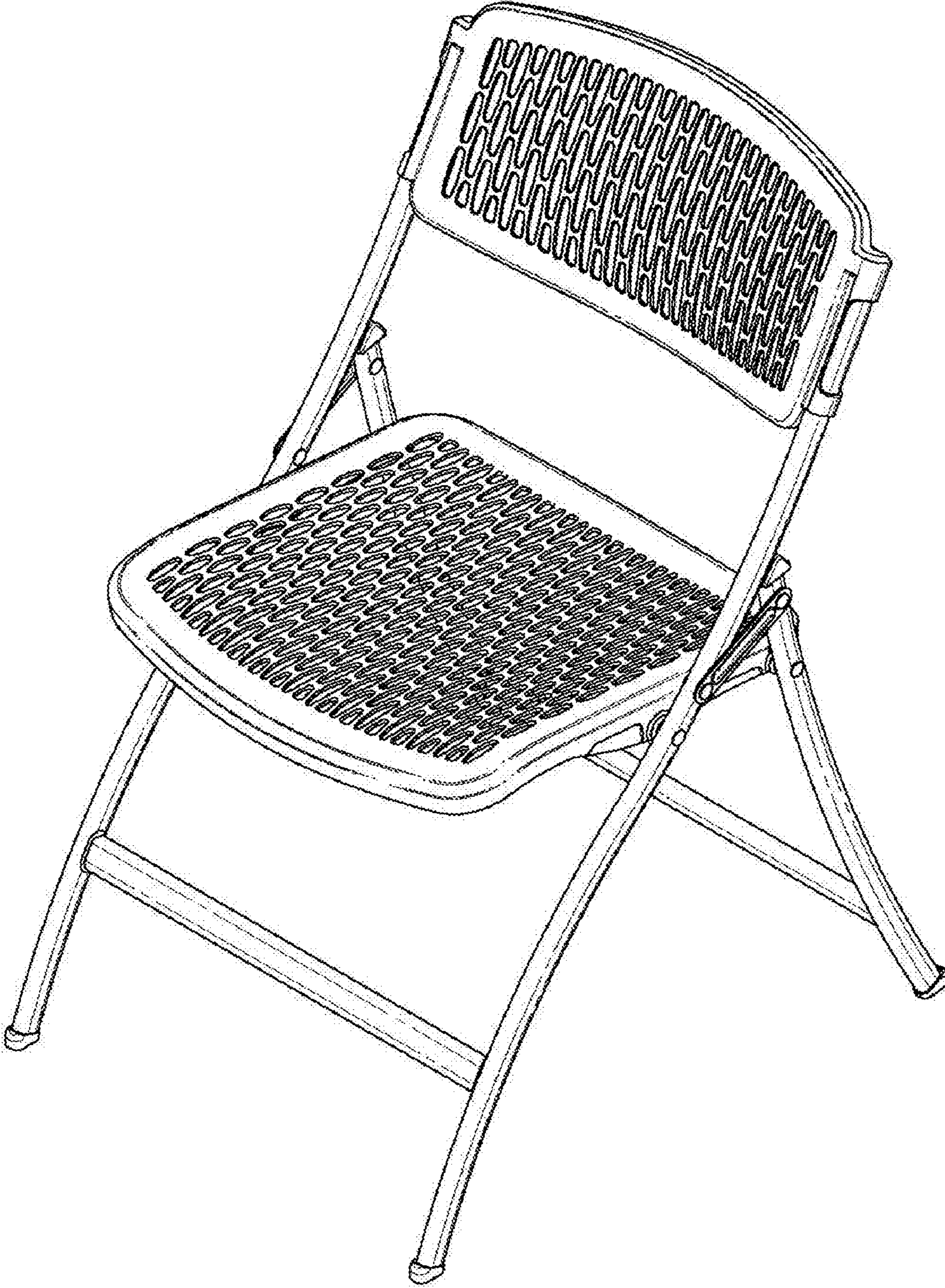


FIG. 1

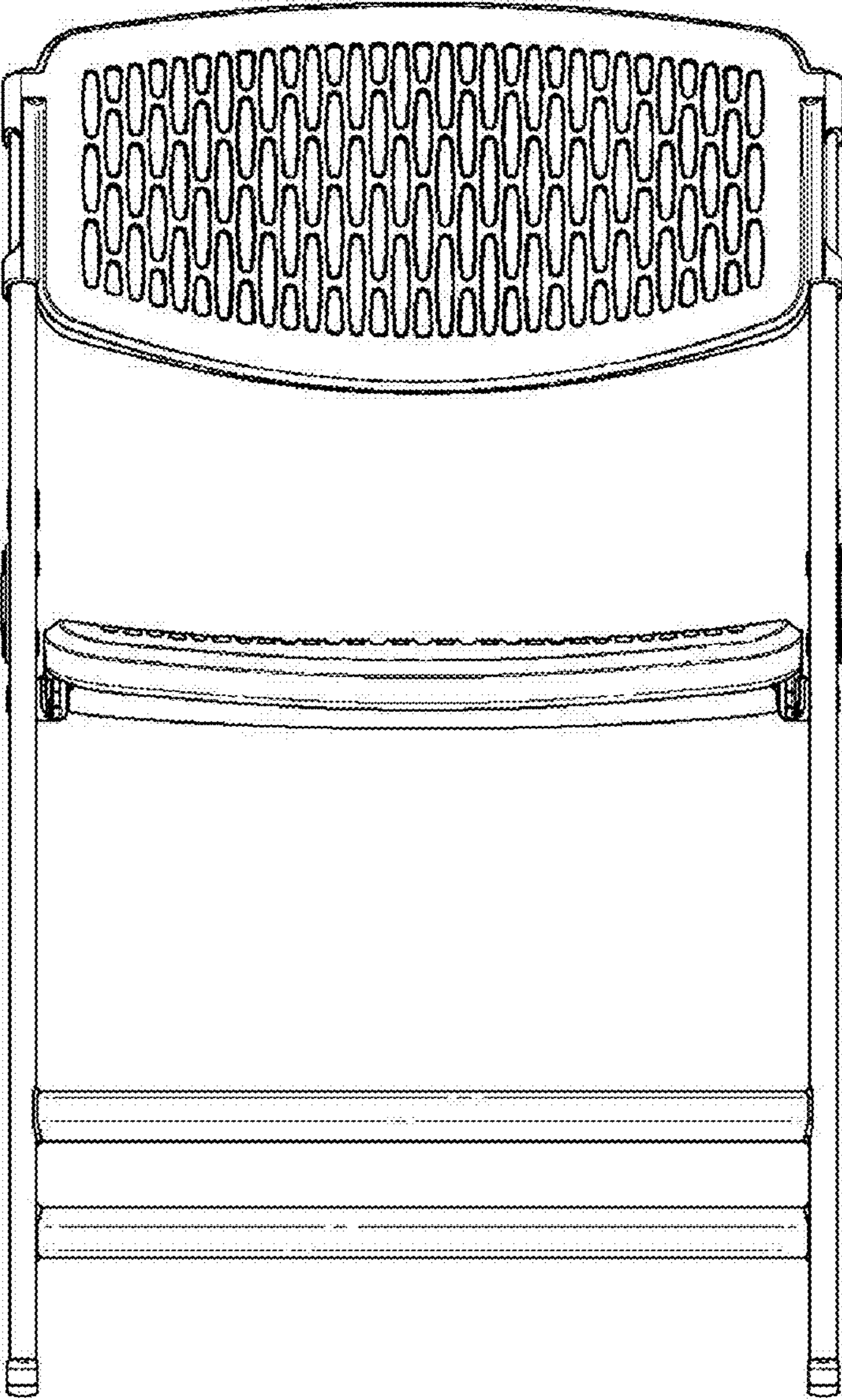


FIG.2

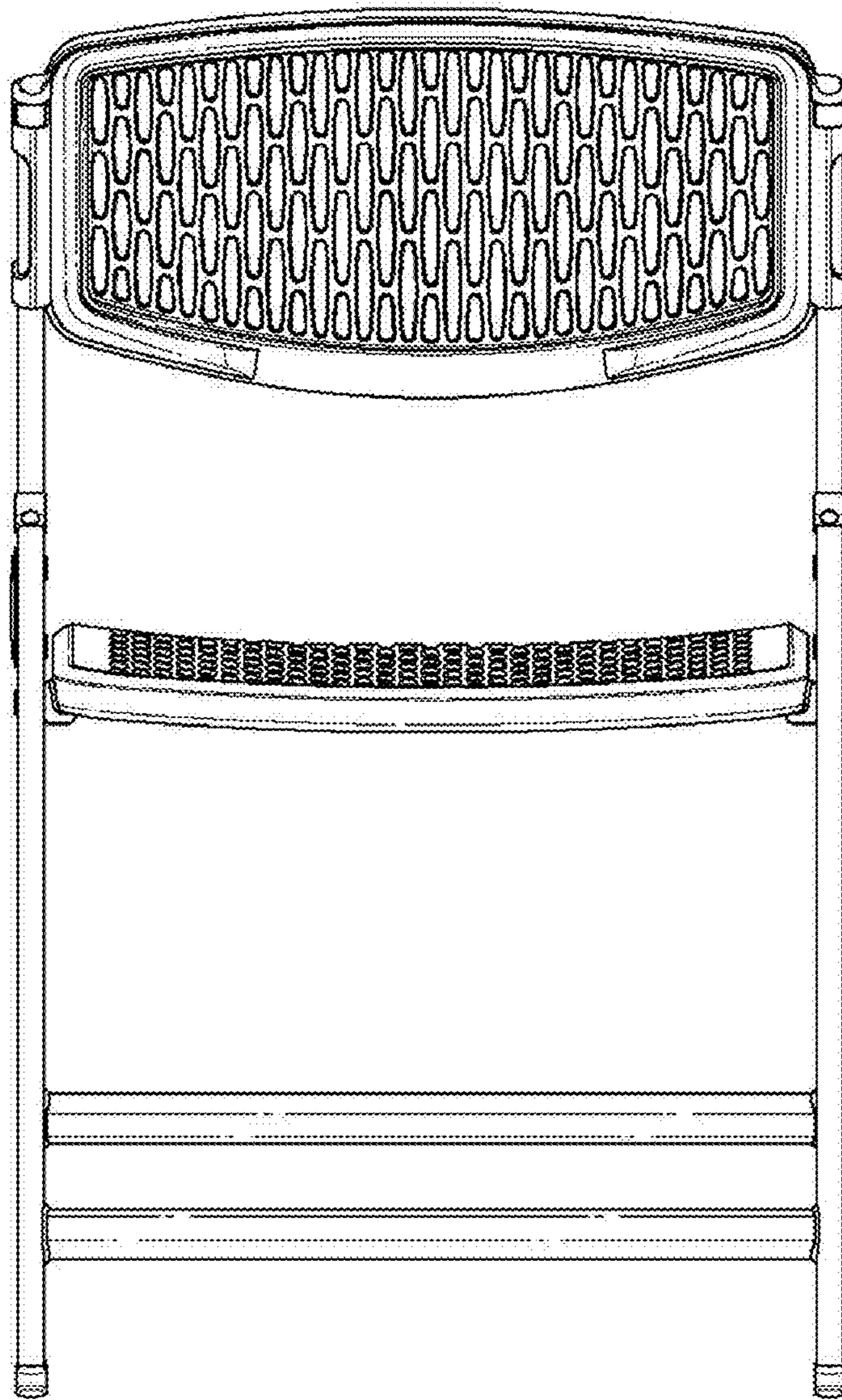


FIG. 3

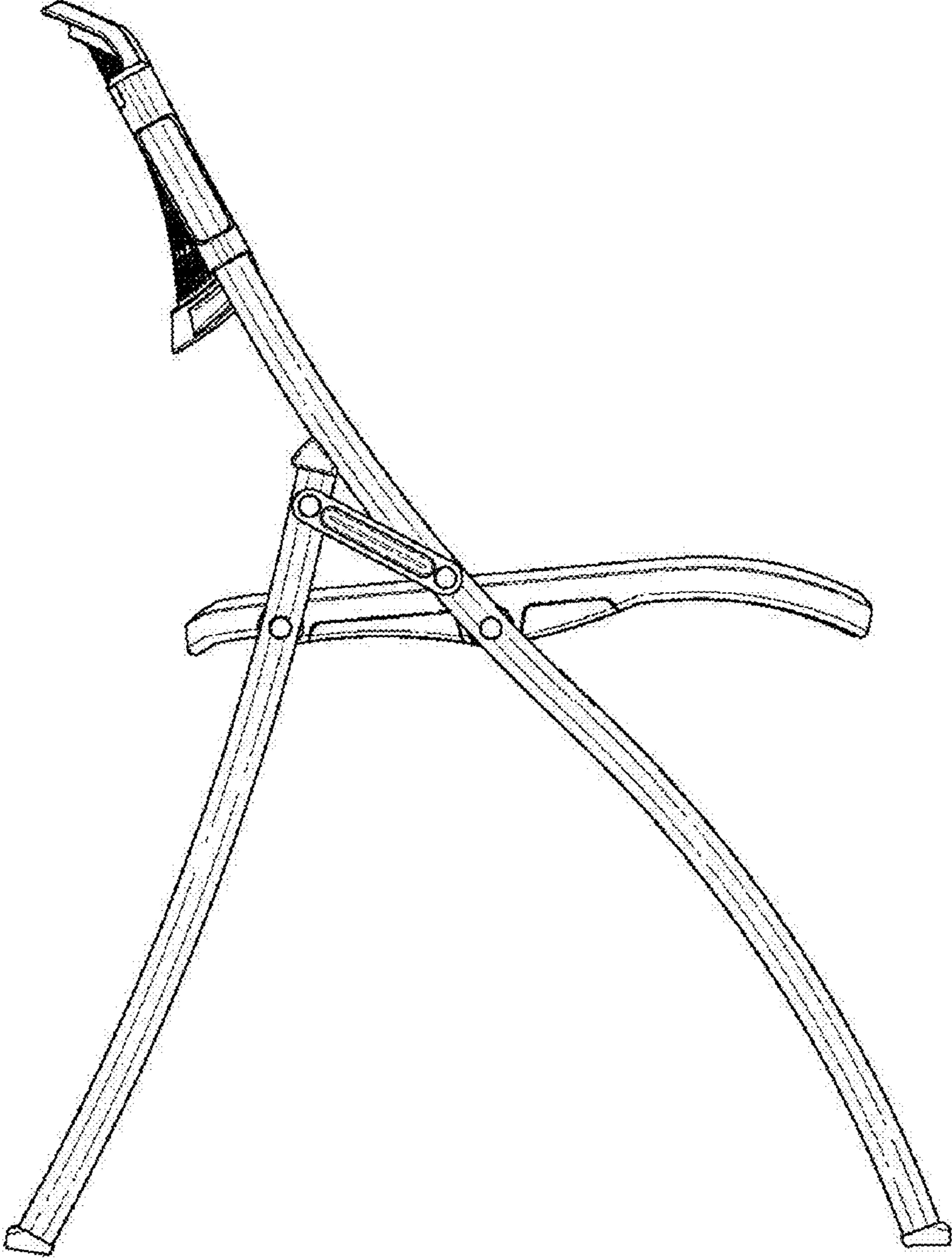


FIG.4

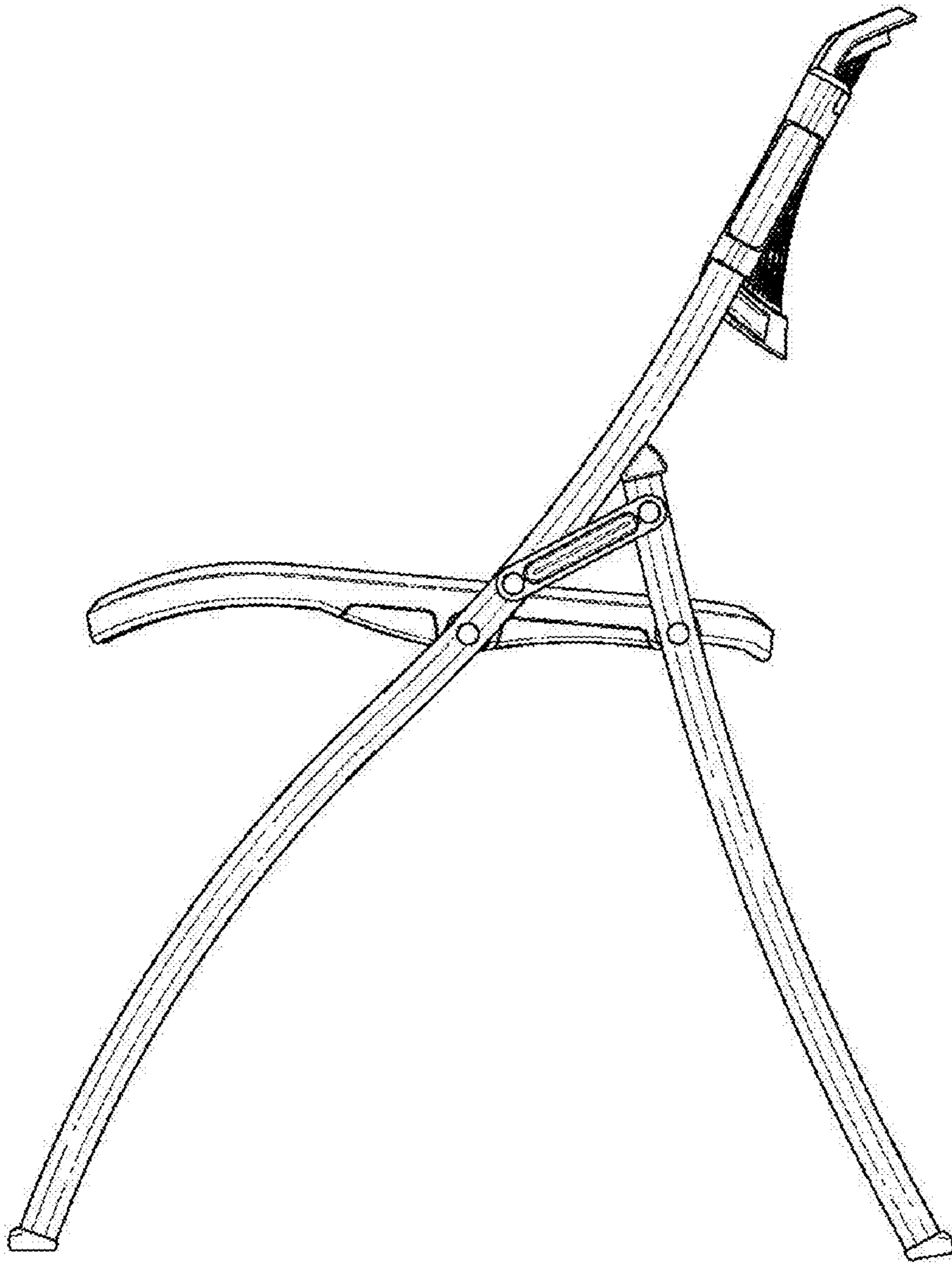


FIG.5

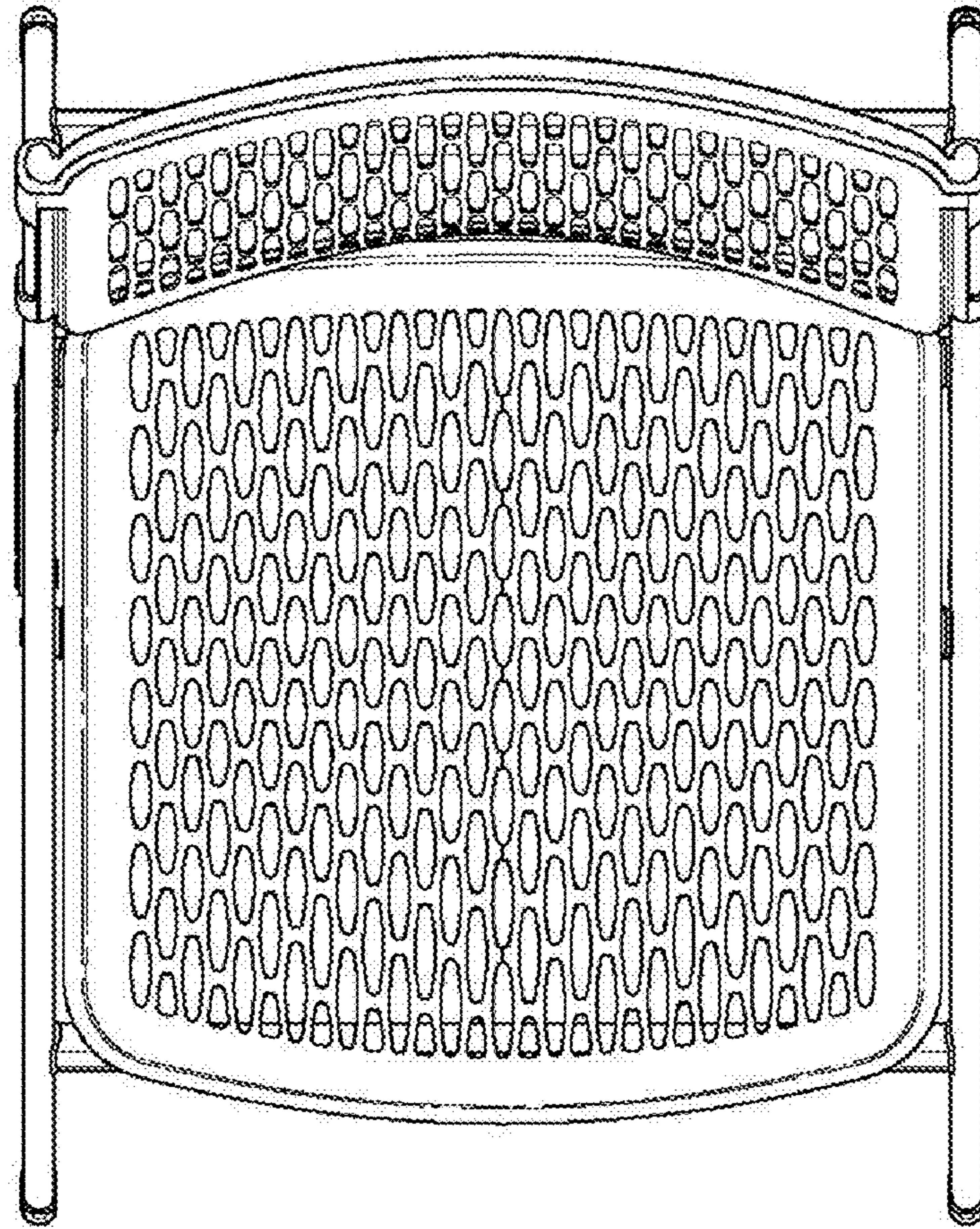


FIG.6

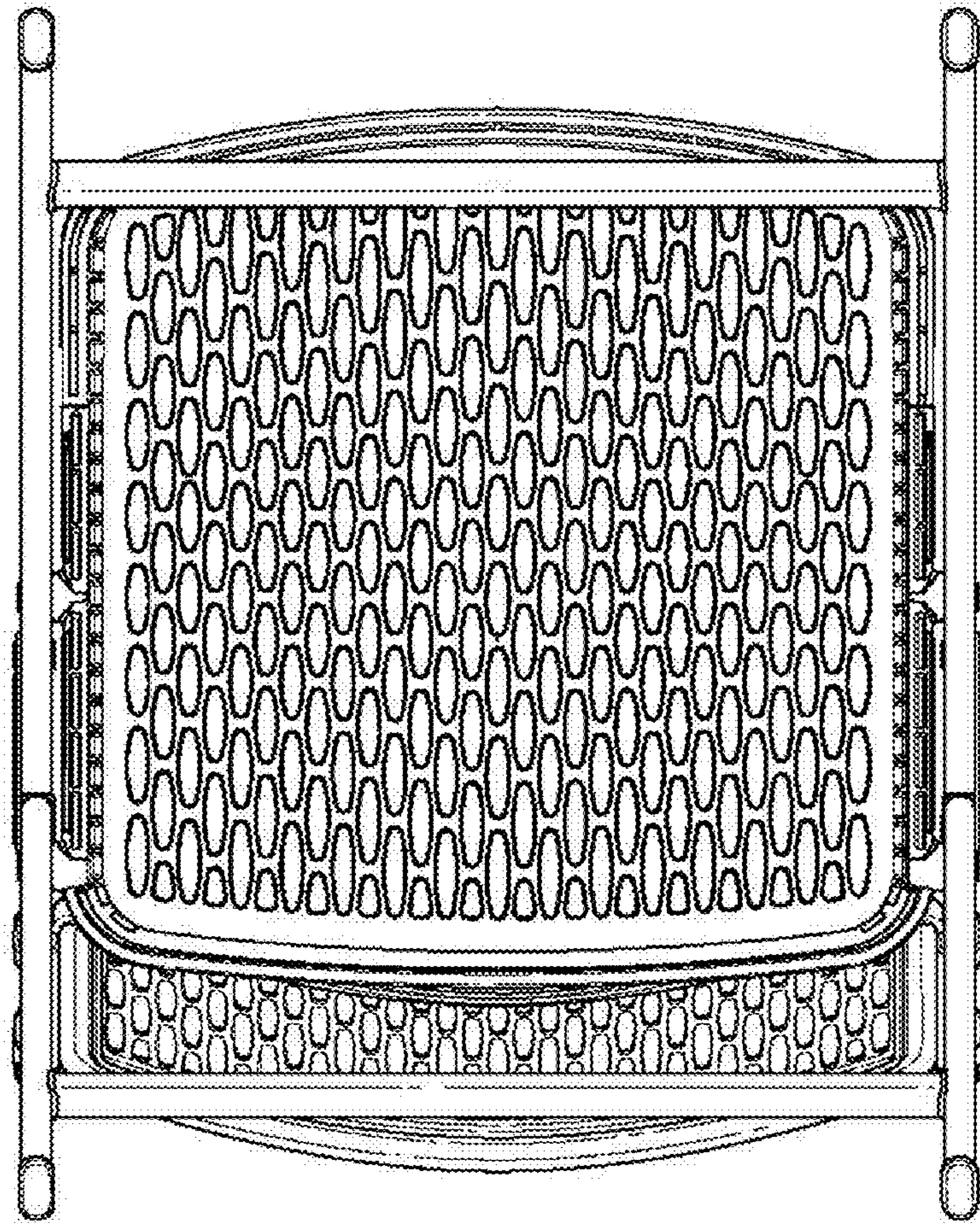


FIG. 7



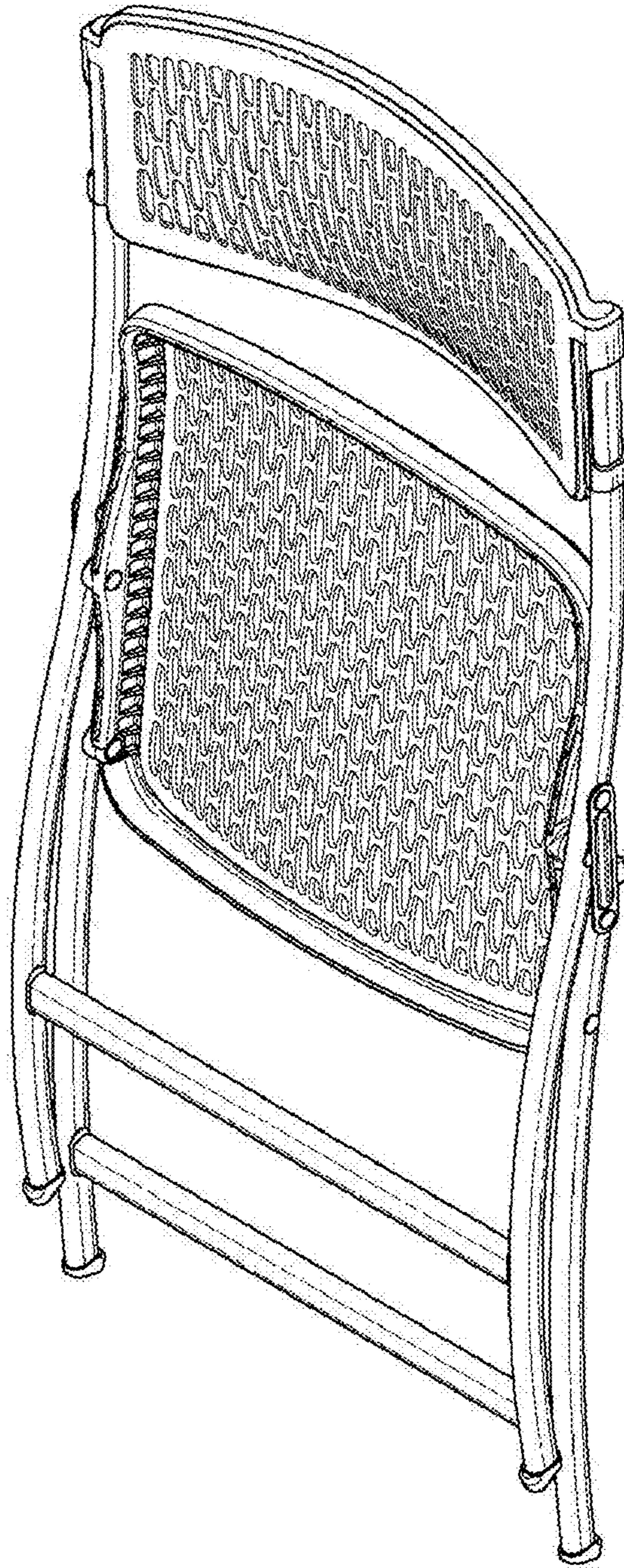


FIG. 8