



US00D653470S

(12) **United States Design Patent**
Niermeyer

(10) **Patent No.:** **US D653,470 S**
(45) **Date of Patent:** **** Feb. 7, 2012**

(54) **SEAT**

(75) **Inventor:** **Eric P. Niermeyer**, Vestal, NY (US)

(73) **Assignee:** **Stakmore Co., Inc.**, Owego, NY (US)

(**) **Term:** **14 Years**

(21) **Appl. No.:** **29/369,254**

(22) **Filed:** **Sep. 3, 2010**

(51) **LOC (9) Cl.** **06-01**

(52) **U.S. Cl.** **D6/368; D6/370**

(58) **Field of Classification Search** D6/334,
D6/335, 336, 367, 368, 370, 371-373, 374,
D6/376, 379, 380, 500-502; 297/16.1, 39,
297/50, 55, 56, 58, 59, 60, 440.18, 440.22,
297/445.1, 446.1, 452.63

See application file for complete search history.

(56) **References Cited**

U.S. PATENT DOCUMENTS

216,803 A	6/1879	Morse	297/59
D22,088 S	12/1892	Casiraghi	D6/379
D24,285 S	5/1895	Chandler	D6/374
1,352,185 A	9/1920	Fedor	297/59
1,543,598 A	6/1925	Buffington	
1,556,306 A	10/1925	Rastetter	
1,614,763 A	1/1927	Rastetter	
1,672,810 A	6/1928	Hughes et al.	
1,873,768 A	8/1932	Kux	
1,926,840 A	9/1933	Dick	297/59
1,970,266 A	8/1934	Allerding	297/60
2,044,473 A	6/1936	Geller	155/141
2,098,711 A	11/1937	Rastetter	297/59
2,128,912 A	9/1938	Buffington	155/141
D111,906 S	10/1938	Davis et al.	D6/380
2,207,338 A	7/1940	Clarín	155/142
2,232,205 A	2/1941	Whitlock	297/60
2,432,266 A	12/1947	Wilkinson	311/99

D156,935 S	1/1950	Carlson	D6/368
2,633,183 A *	3/1953	Norquist	297/60
2,652,098 A	9/1953	Nordmark	155/139
2,654,419 A	10/1953	Nordmark	155/142
2,669,295 A	2/1954	Shepherdson	297/440.22
2,684,111 A	7/1954	Adler	155/139
2,697,481 A	12/1954	Zoercher	297/60
2,729,275 A	1/1956	Morgan et al.	155/142
2,843,187 A	7/1958	Manne et al.	155/142
3,042,447 A	7/1962	Wilkinson	297/58
3,096,732 A	7/1963	Wilkinson	108/127
3,236,558 A	2/1966	Kaufman	297/59
D228,989 S	11/1973	Furey	D6/380

(Continued)

OTHER PUBLICATIONS

Photocopy of Stakmore catalog; "The Folding Furniture With the Permanent Look"; undated.

(Continued)

Primary Examiner — Mimosá De

(74) *Attorney, Agent, or Firm* — MacCord Mason PLLC

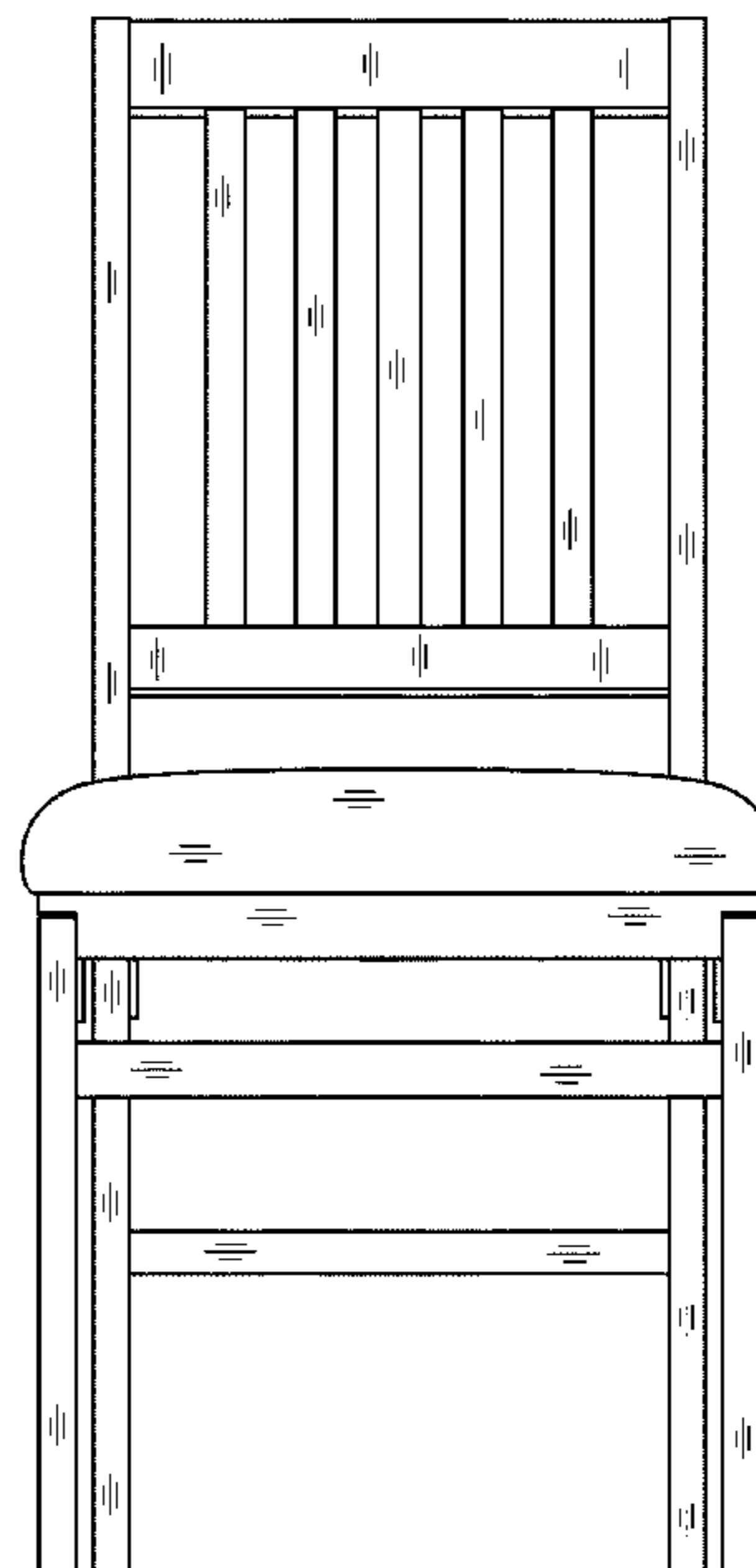
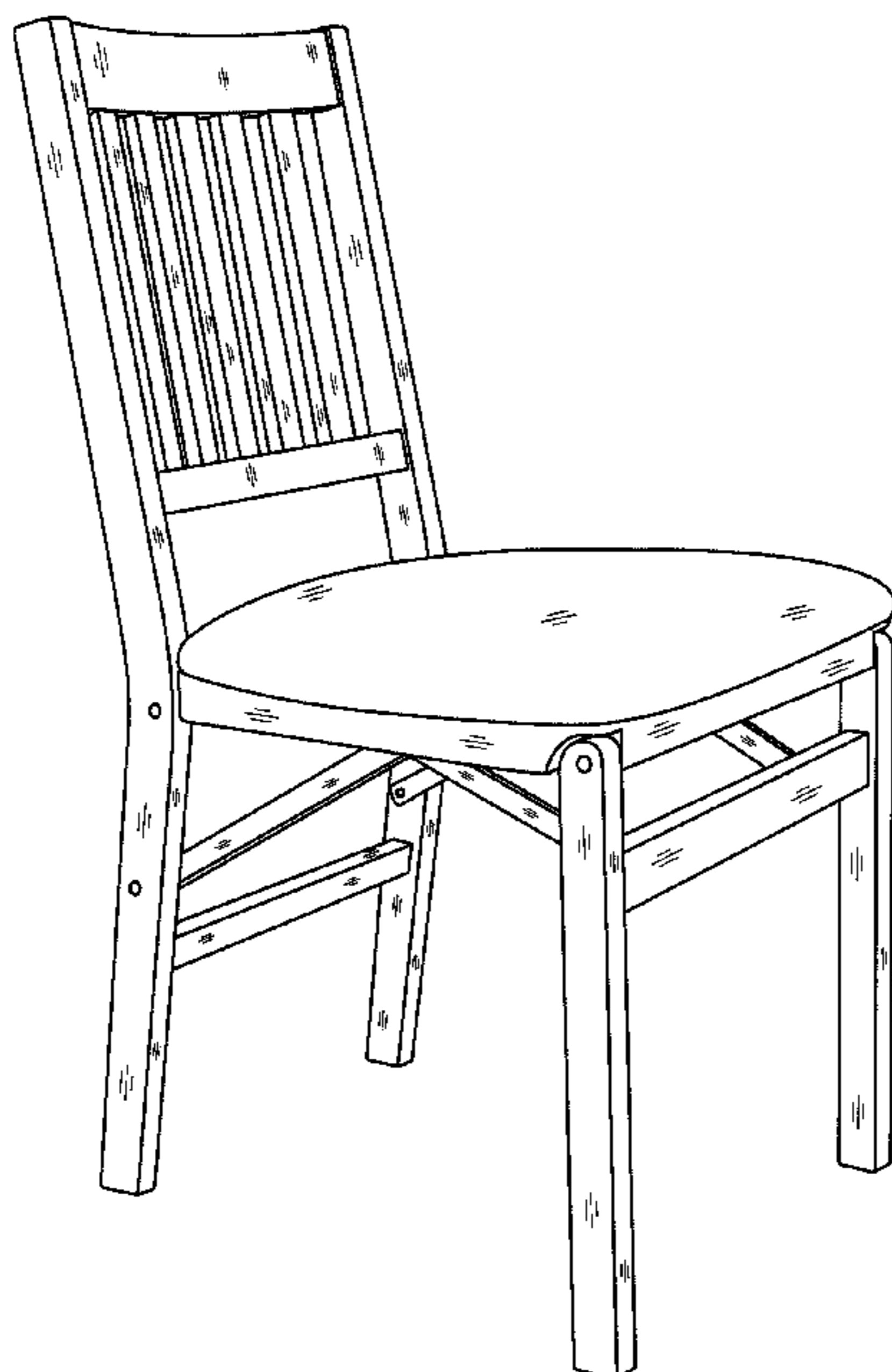
(57) **CLAIM**

The ornamental design for a seat, as shown and described.

DESCRIPTION

FIG. 1 is a front perspective view of a seat showing my new design;
FIG. 2 is a side view, the opposite side being a mirror image thereof;
FIG. 3 is a front view thereof;
FIG. 4 is a back view thereof;
FIG. 5 is a front view of the seat in the folded position;
FIG. 6 is a rear view of the seat in the folded position; and,
FIG. 7 is a side view of the seat in the folded position, the opposite side being a mirror image thereof.

1 Claim, 7 Drawing Sheets



US D653,470 S

Page 2

U.S. PATENT DOCUMENTS

D233,383 S 10/1974 Ikeda D6/380
D351,511 S 10/1994 Ferguson D6/379
D358,502 S 5/1995 Gioacchini D6/379
D364,046 S 11/1995 Keller D6/379
D367,370 S 2/1996 Berry, Jr. et al. D6/374
D375,636 S 11/1996 Arcese et al. D6/370
D376,703 S 12/1996 Lee D6/380
D381,828 S 8/1997 Kemnitzer D6/379
D385,120 S 10/1997 Wistehuff D6/379
D395,967 S 7/1998 Swy D6/502
D396,367 S 7/1998 Swy D6/502
D414,620 S 10/1999 Kabadayan D6/380
D419,323 S 1/2000 Muller D6/370
D434,242 S 11/2000 Swy et al. D6/380
D445,583 S 7/2001 O'Hare et al. D6/379
D445,584 S 7/2001 O'Hare et al. D6/379
D459,905 S 7/2002 Stanton D6/379
D464,493 S 10/2002 Stannard D6/368
D464,664 S 10/2002 Stannard D6/368
D465,666 S 11/2002 Hokanson D6/379
D468,925 S 1/2003 Vaaler D6/379
D487,990 S 4/2004 Vaaler D6/379
D511,420 S 11/2005 Haralson D6/370
D513,679 S 1/2006 Paus D6/502
D518,970 S 4/2006 Domack et al. D6/380
D520,255 S 5/2006 King D6/370
D520,256 S 5/2006 King D6/374

D524,072 S 7/2006 King D6/380
D525,801 S 8/2006 Domack et al. D6/380
D547,965 S 8/2007 Domack et al. D6/380
D577,215 S 9/2008 Kreiss D6/374
D607,221 S 1/2010 Shen D6/367
D607,657 S 1/2010 Kubryk D6/380
D616,658 S * 6/2010 Niermeyer D6/368
D617,108 S * 6/2010 Niermeyer D6/368
D617,109 S * 6/2010 Niermeyer D6/368

OTHER PUBLICATIONS

Photocopy of Stakmore Catalog; "The Folding Chair With the Permanent Look"; undated.

Photocopy of Stakmore Catalog; "The Folding Chair With the Permanent Look" Stakmore Model 610; undated.

Photocopy of Stakmore catalog; "Quality Furniture Since 1922"; undated.

Photocopy of chairs from Sticonf Catalog; COS 348, Cos 348/1, LIN12; Feb. 2002.

Photocopy of chairs from Moro's catalog; undated.

Photocopy of chairs from GAR Products catalog 2292 PSPB; undated.

Photocopy of chairs from GAR Products catalog beginning with Chari 1840; undated.

Photocopy of p. 66 of Modern Woodworking Magazine; Feb. 2002.

* cited by examiner

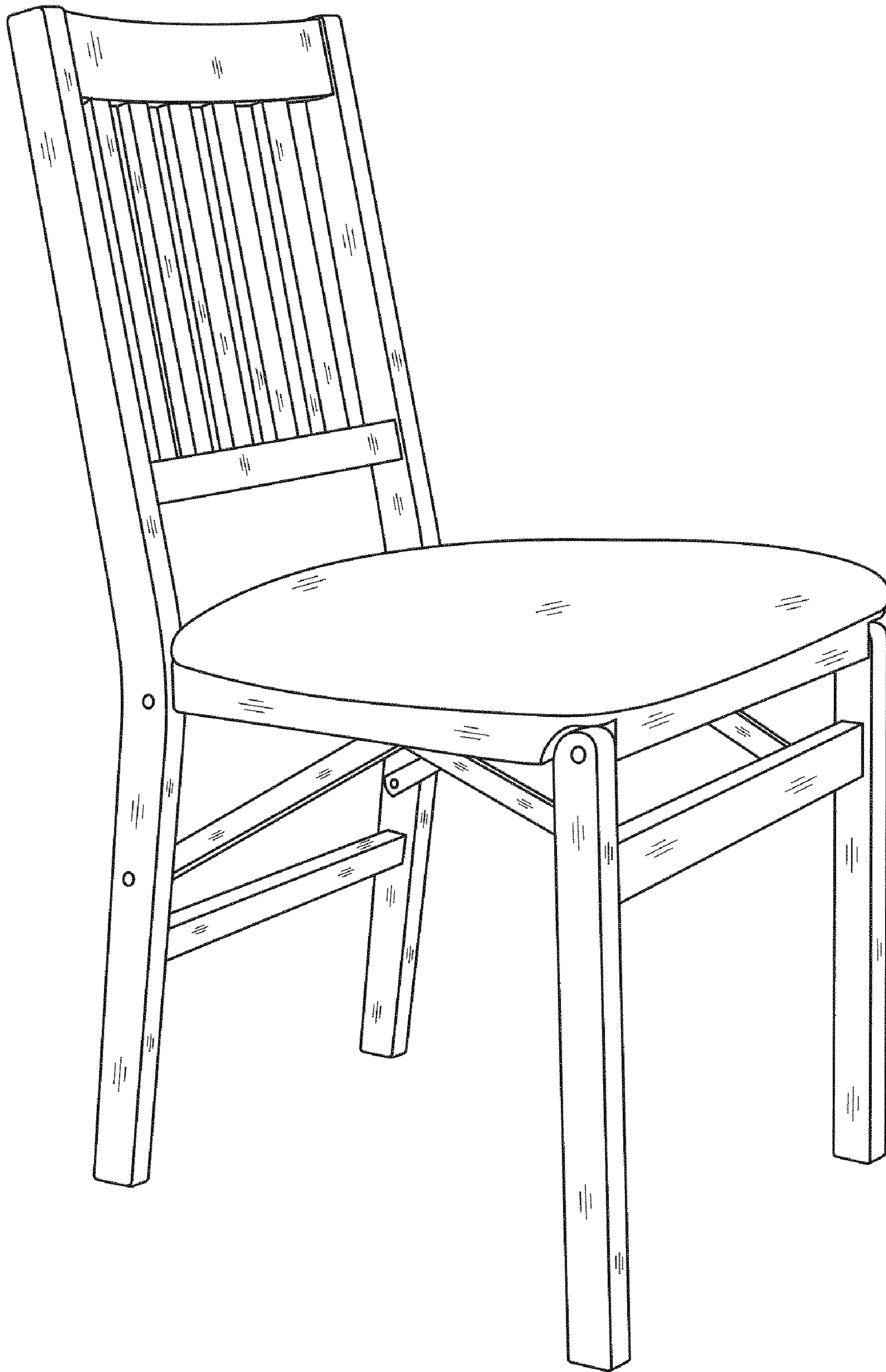


FIG. 1

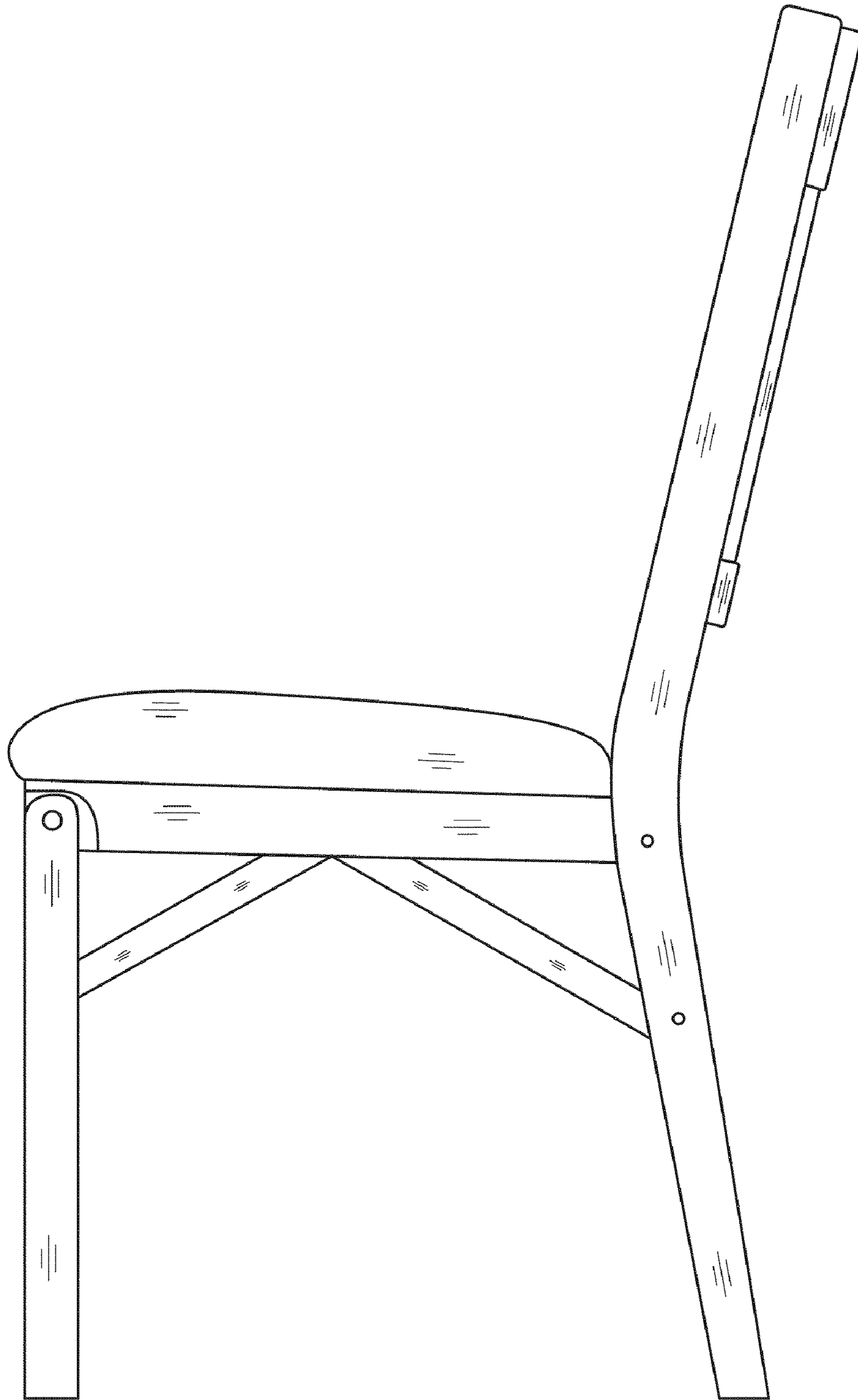


FIG. 2

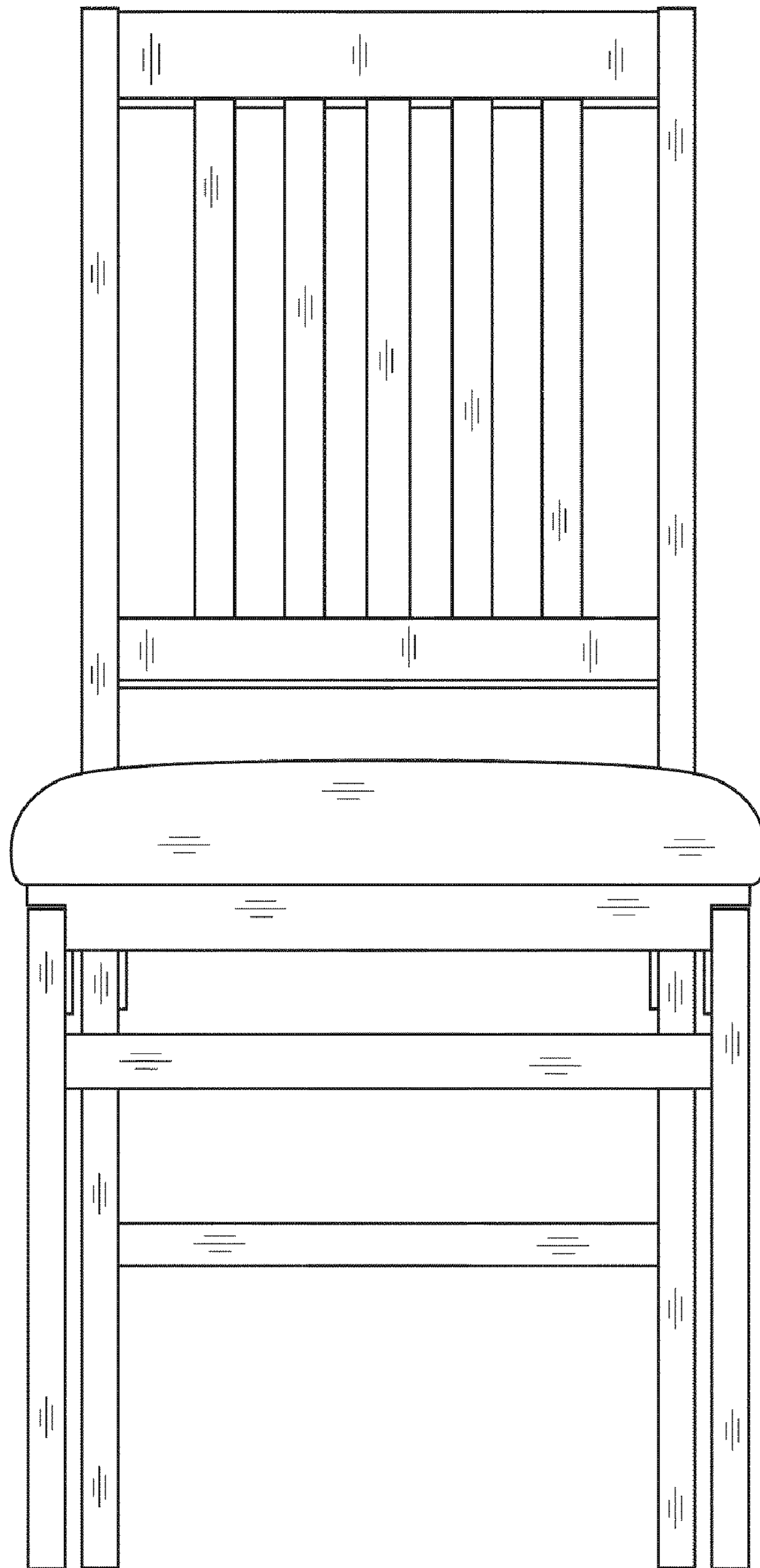


FIG. 3

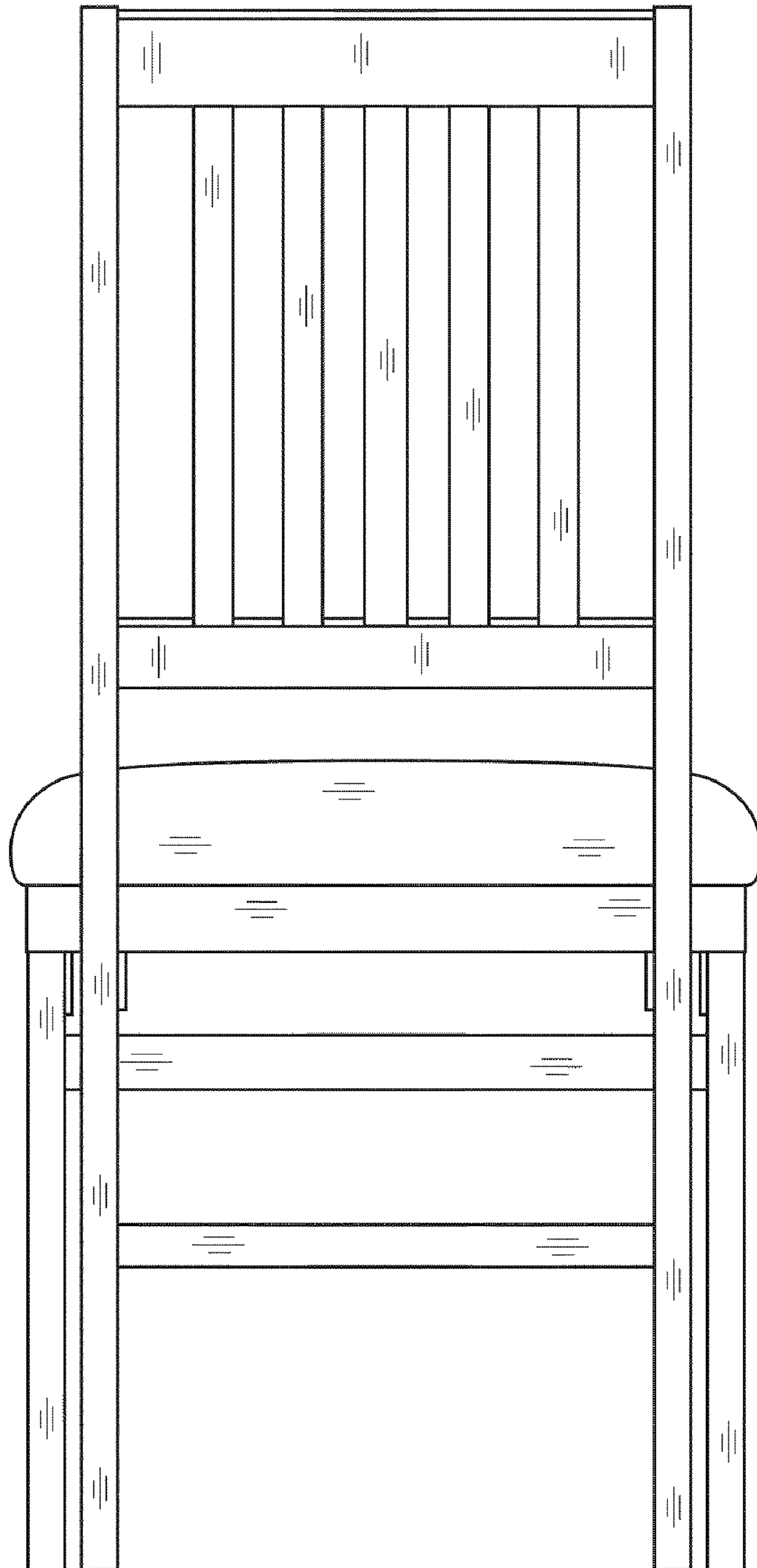


FIG. 4

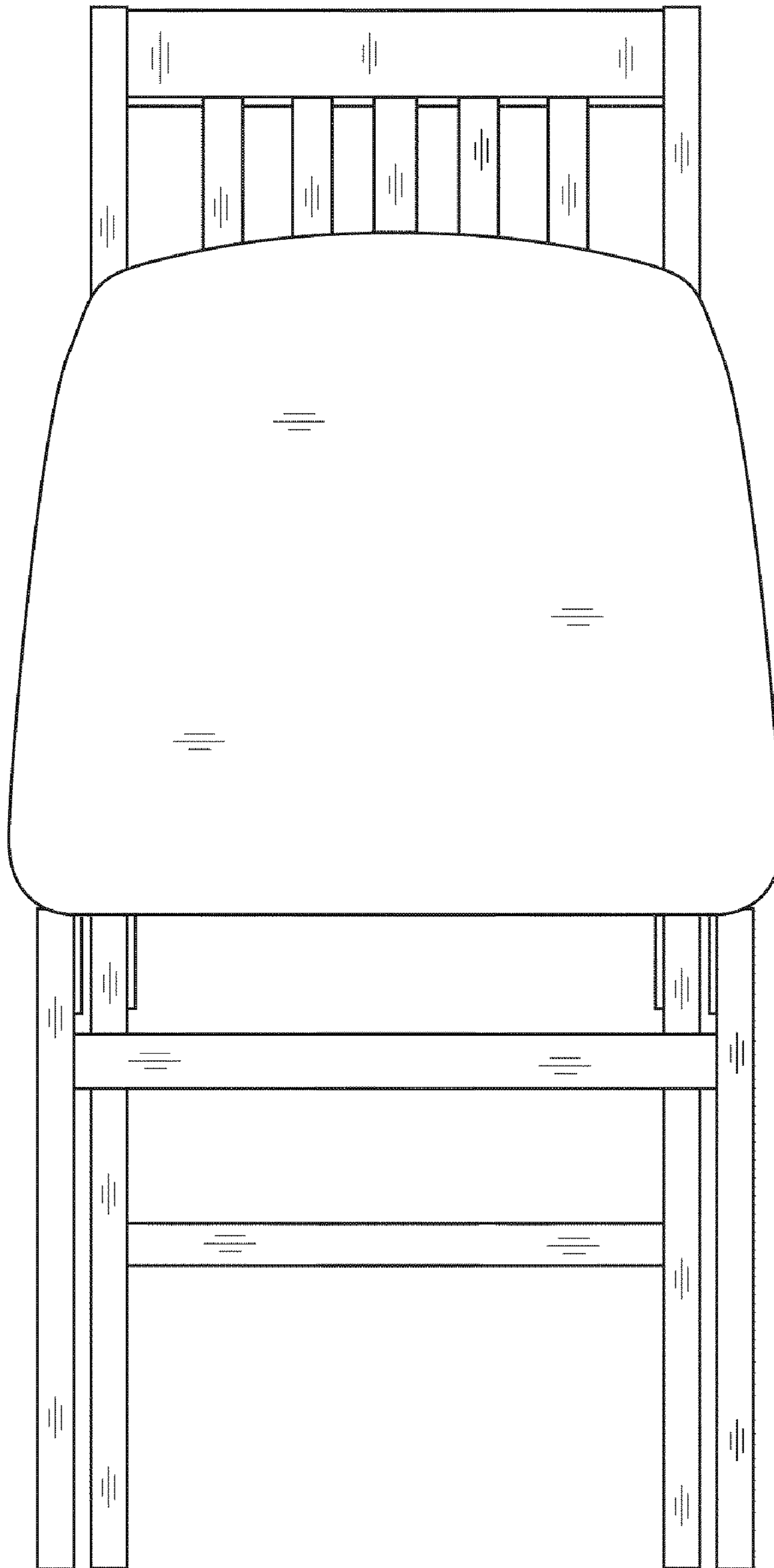


FIG. 5

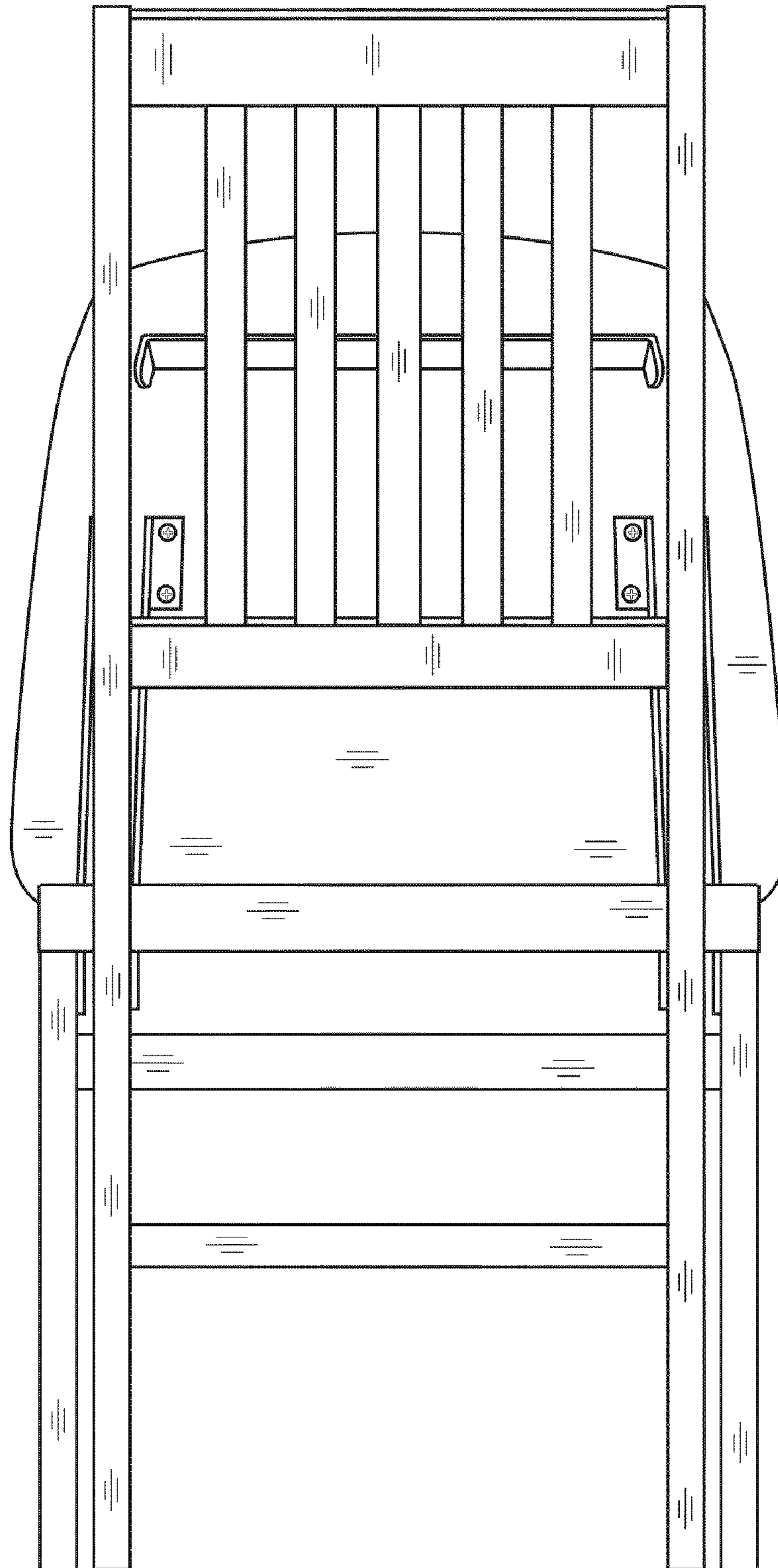


FIG. 6

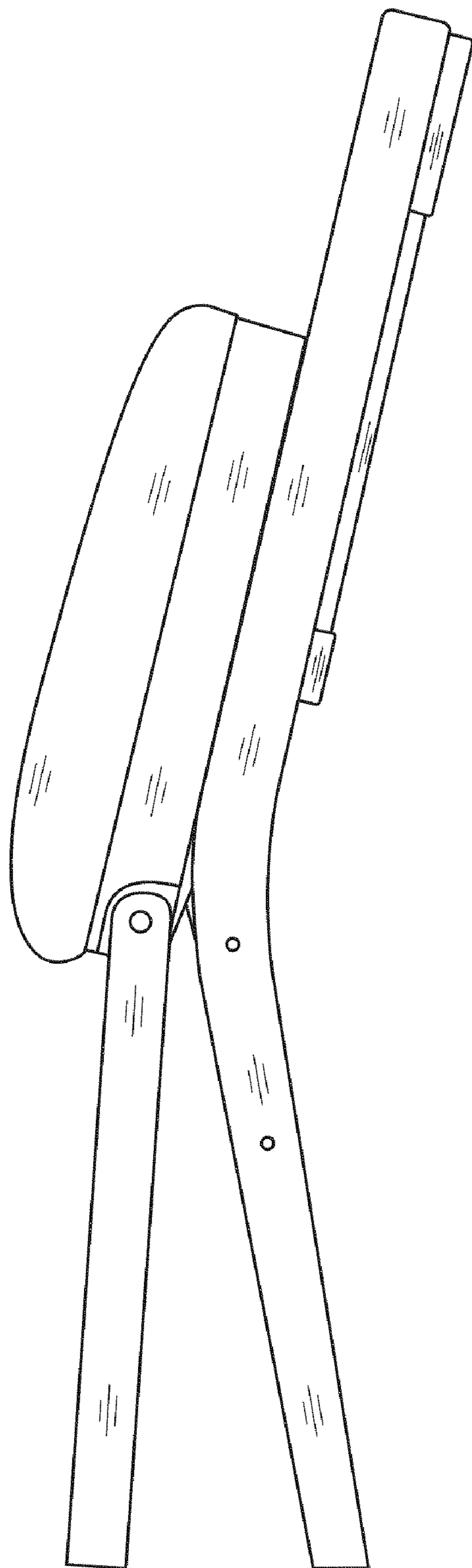


FIG. 7