



US00D653469S

(12) **United States Design Patent**
Carrere

(10) **Patent No.:** **US D653,469 S**
(45) **Date of Patent:** **** Feb. 7, 2012**

(54) **LOUNGE CHAIR**

(75) Inventor: **Eric Carrere**, Lyons (FR)

(73) Assignee: **SIFAS Sarl** (FR)

(**) Term: **14 Years**

(21) Appl. No.: **29/361,102**

(22) Filed: **May 5, 2010**

(30) **Foreign Application Priority Data**

Nov. 12, 2009 (FR) 095509

(51) **LOC (9) Cl.** **06-01**

(52) **U.S. Cl.** **D6/368**

(58) **Field of Classification Search** D6/334–336,
D6/367, 368, 371–373, 374, 375, 379, 380,
D6/500–502; 297/18, 19, 36, 45, 53, 56,
297/284.3, 411.44, 445.1, 446.1
See application file for complete search history.

(56) **References Cited**

U.S. PATENT DOCUMENTS

34,204 A * 1/1862 Goodwin 297/36
65,520 A * 6/1867 Whitmore 297/45

1,799,029 A * 3/1931 Smith 297/36
2,582,864 A * 1/1952 Gittings et al. 297/36
3,498,668 A * 3/1970 Vanderminden 297/45
D337,213 S * 7/1993 Phelan, Jr. D6/368
D459,602 S * 7/2002 Kreiss D6/368
D464,820 S * 10/2002 Kreiss D6/368
D542,552 S * 5/2007 Massaud D6/374
D572,925 S * 7/2008 Carrere D6/368

* cited by examiner

Primary Examiner — Mimosa De

(74) *Attorney, Agent, or Firm* — Pepper Hamilton LLP

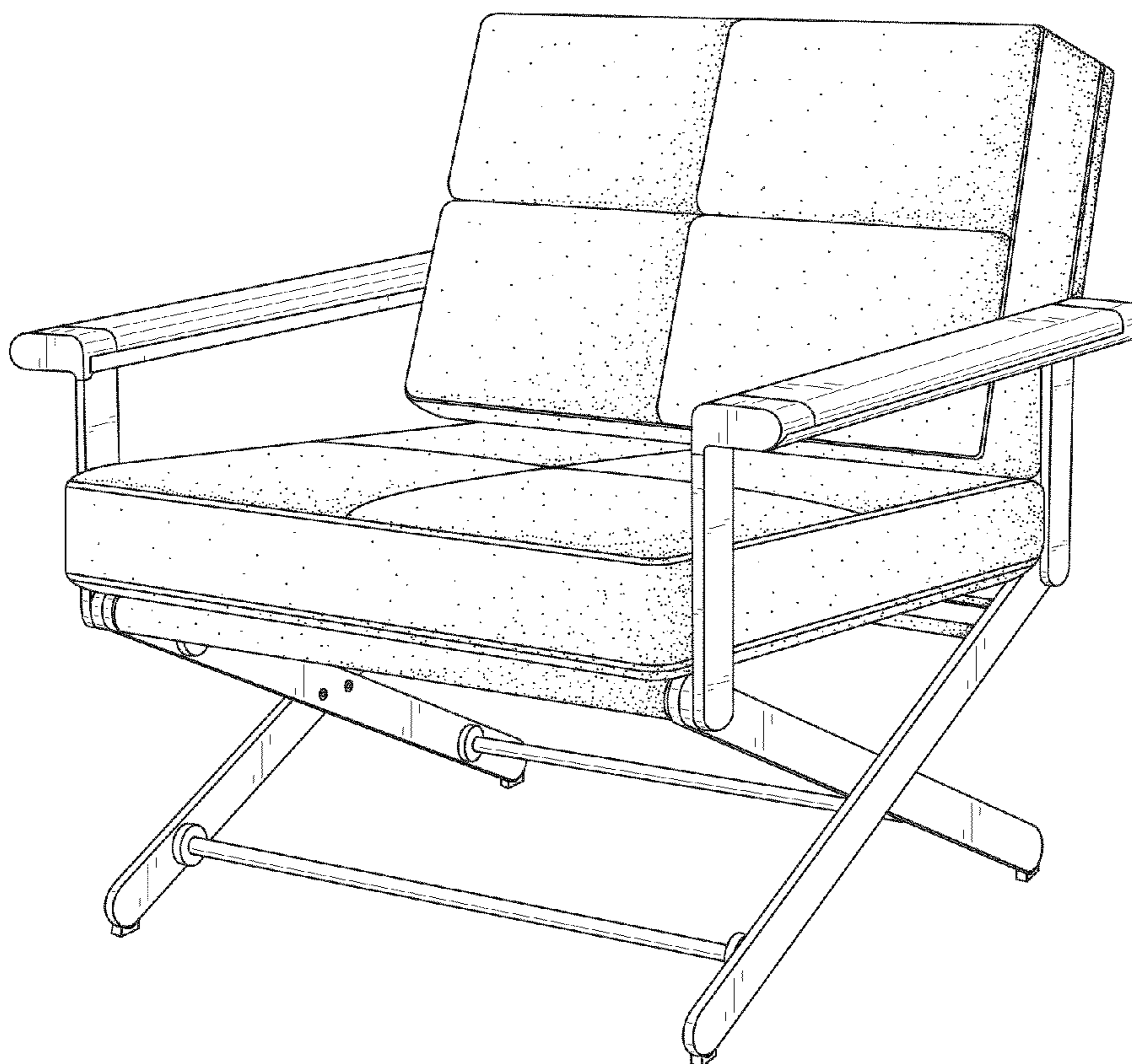
(57) **CLAIM**

The ornamental design for a lounge chair, as shown and described.

DESCRIPTION

FIG. 1 is a perspective view of the invention.
FIG. 2 is a front view of the invention.
FIG. 3 is a back view of the invention.
FIG. 4 is a right profile view of the invention.
FIG. 5 is a left profile view of the invention.
FIG. 6 is a top view of the invention; and,
FIG. 7 is a bottom view of the invention.

1 Claim, 7 Drawing Sheets



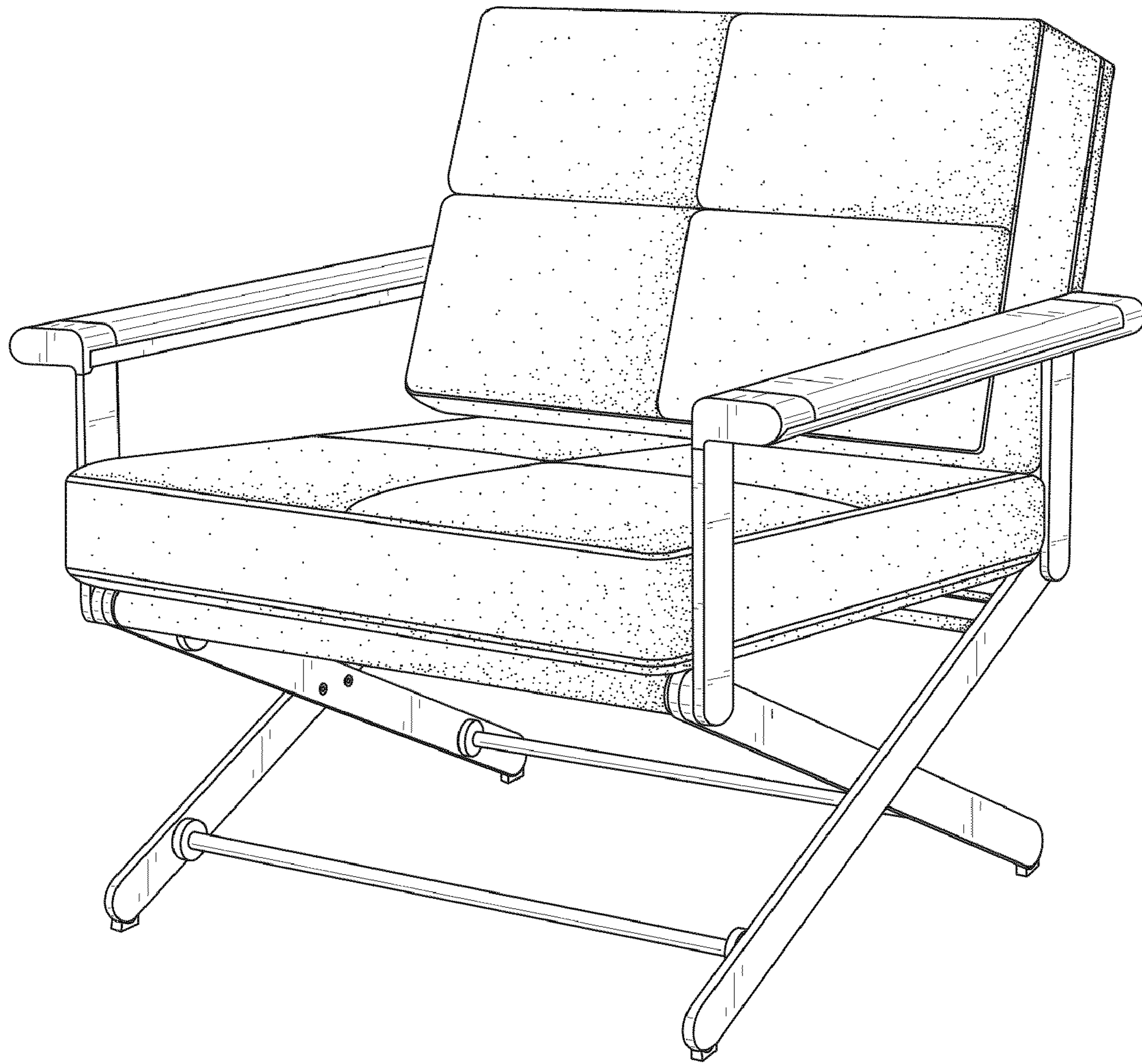


FIG. 1

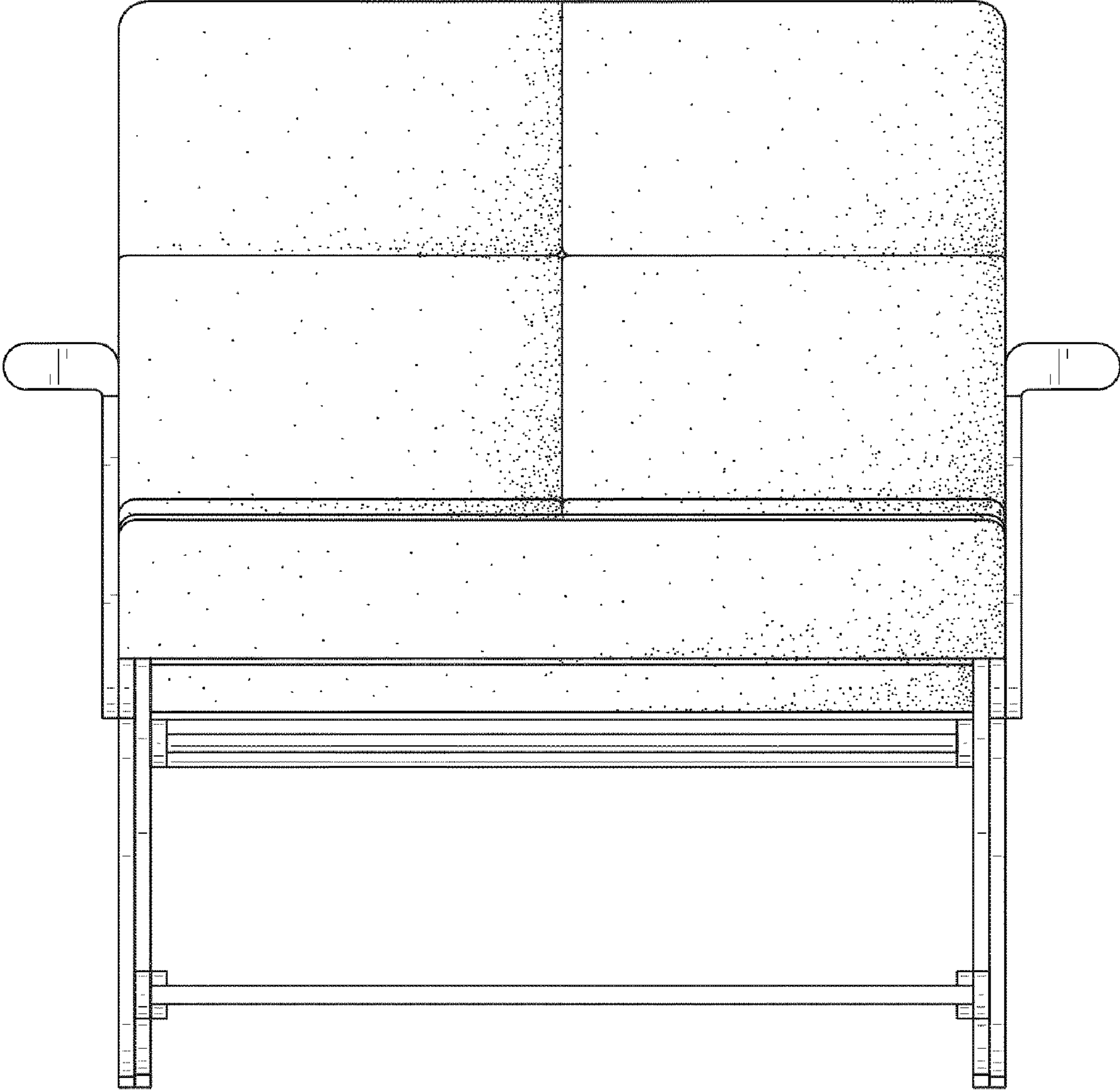


FIG. 2

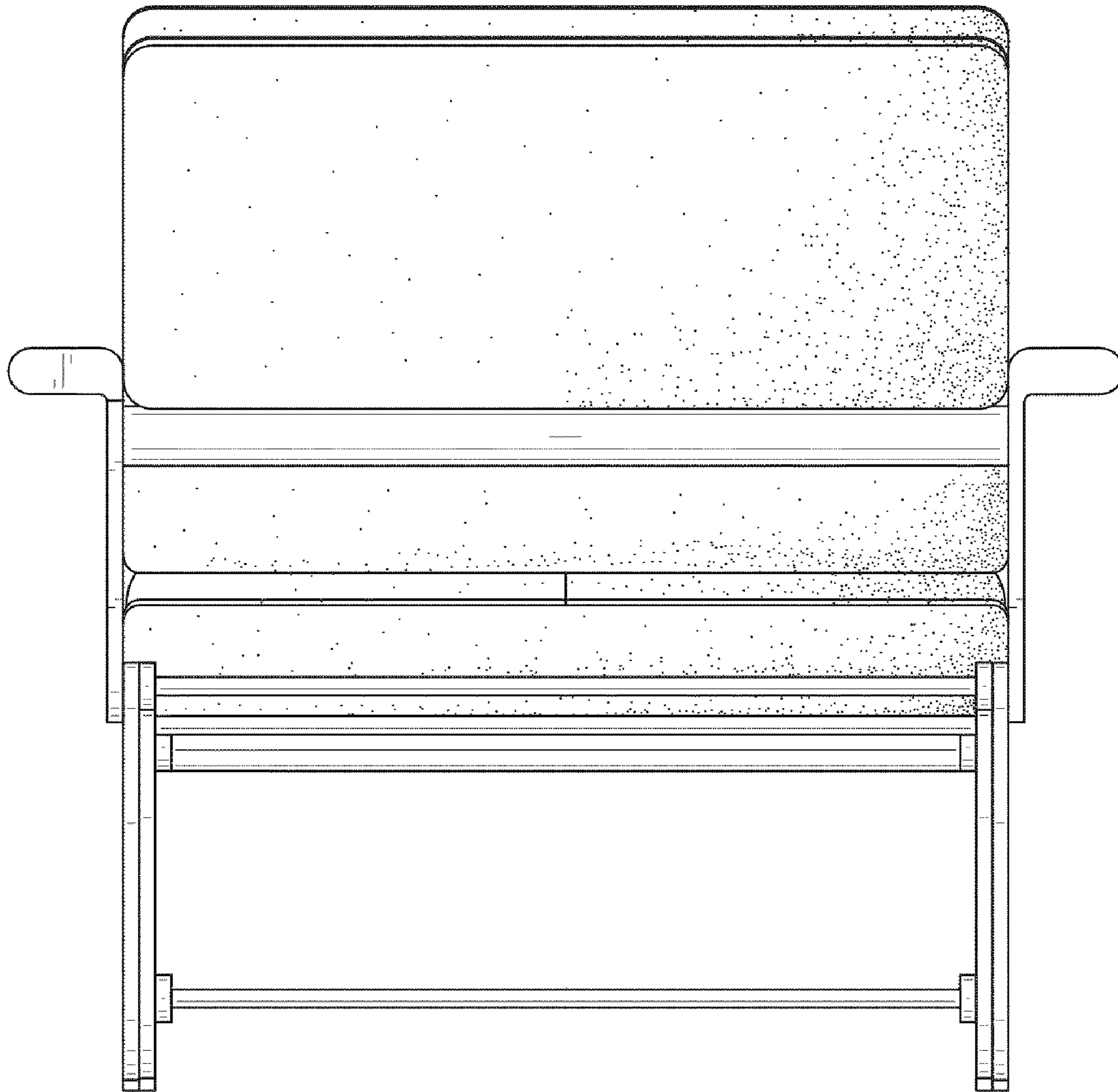


FIG. 3

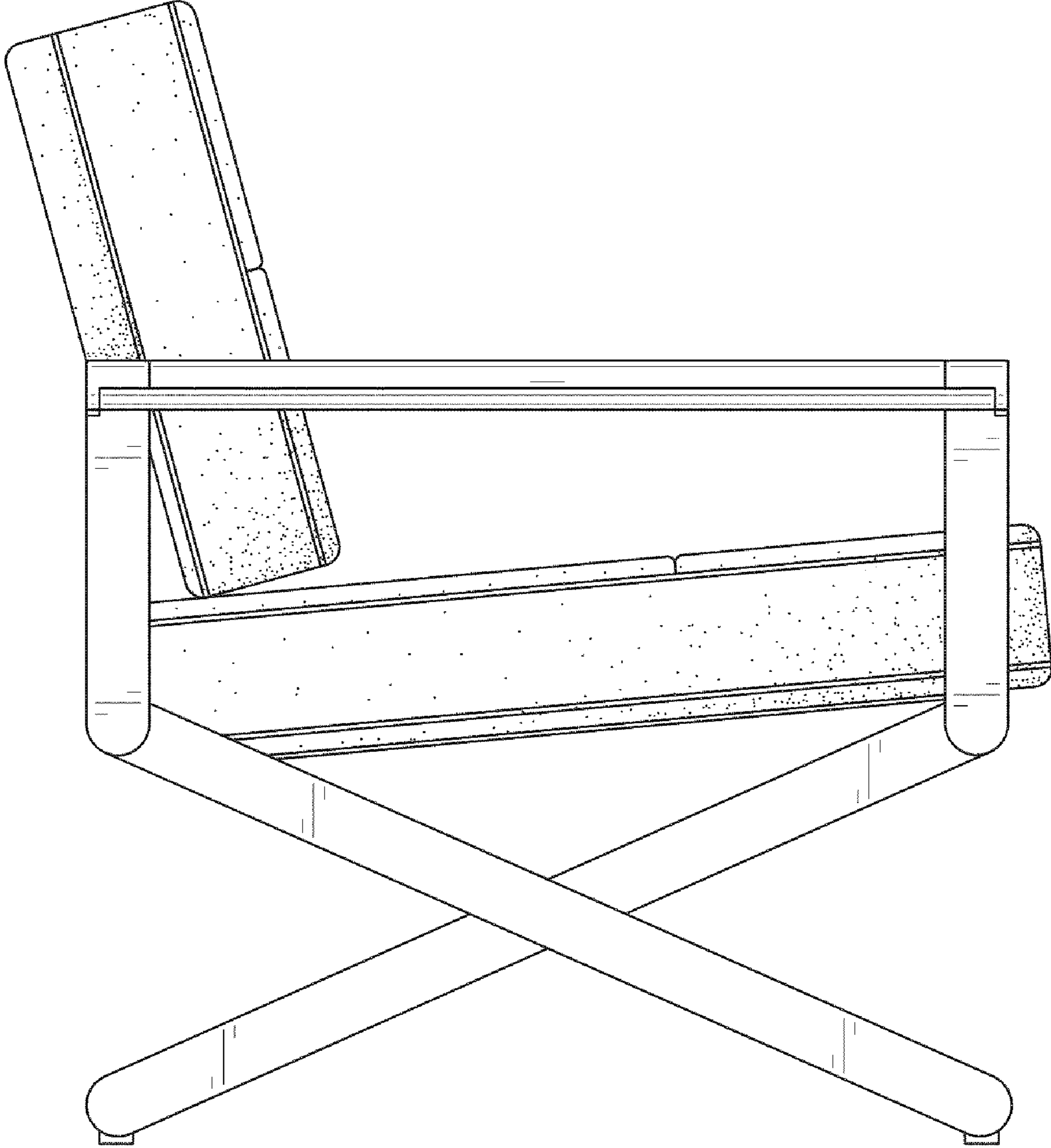


FIG. 4

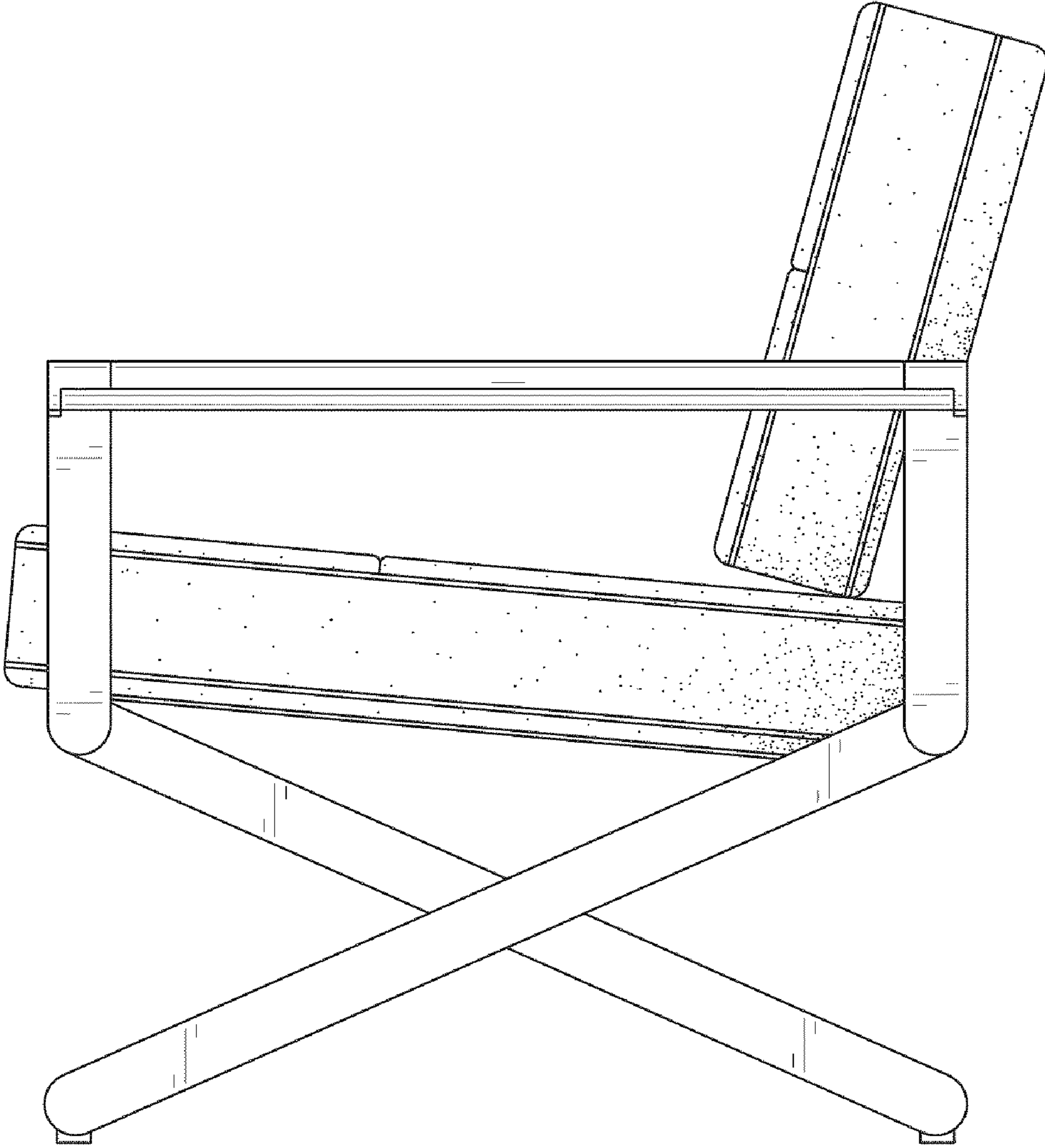


FIG. 5

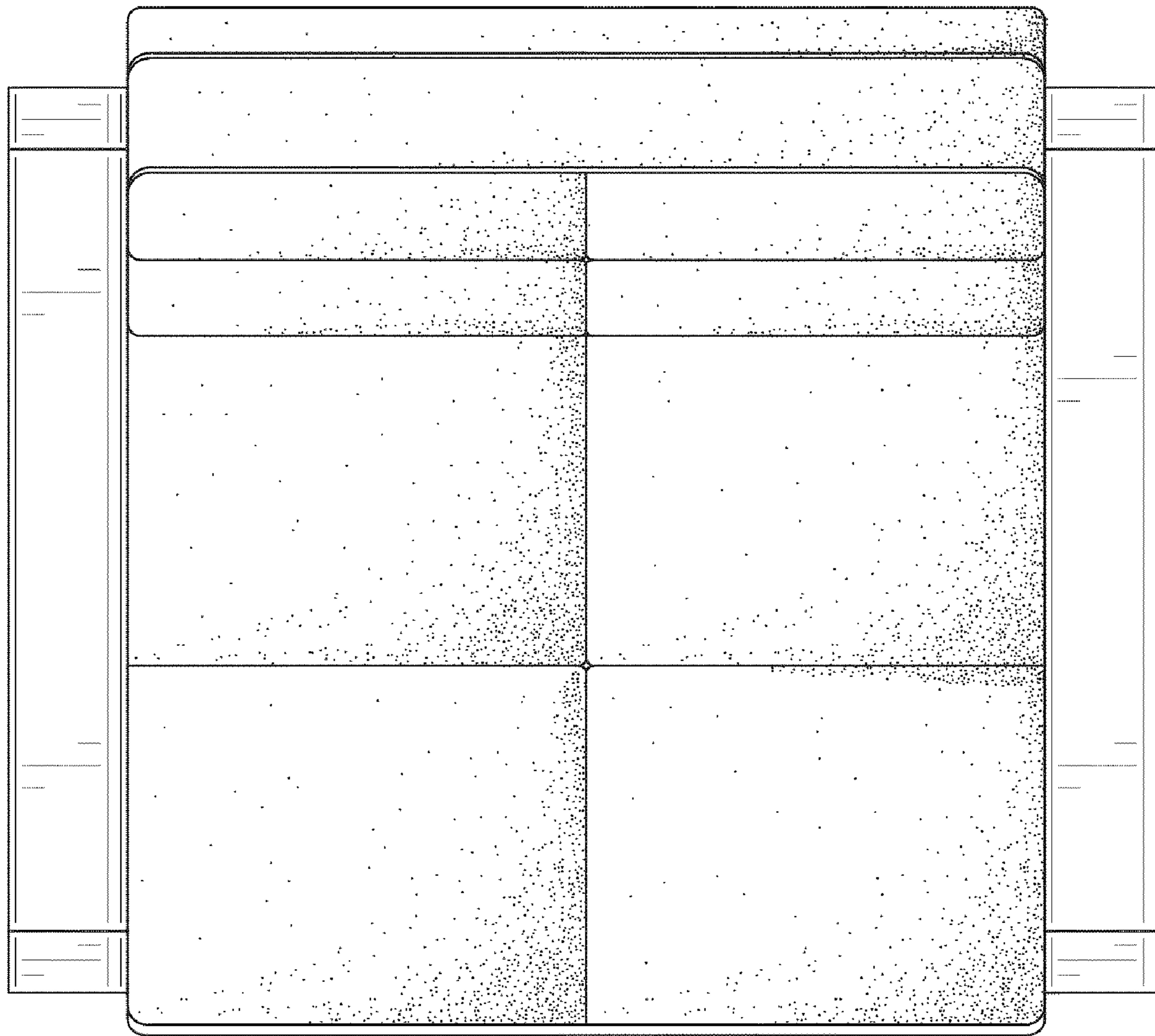


FIG. 6

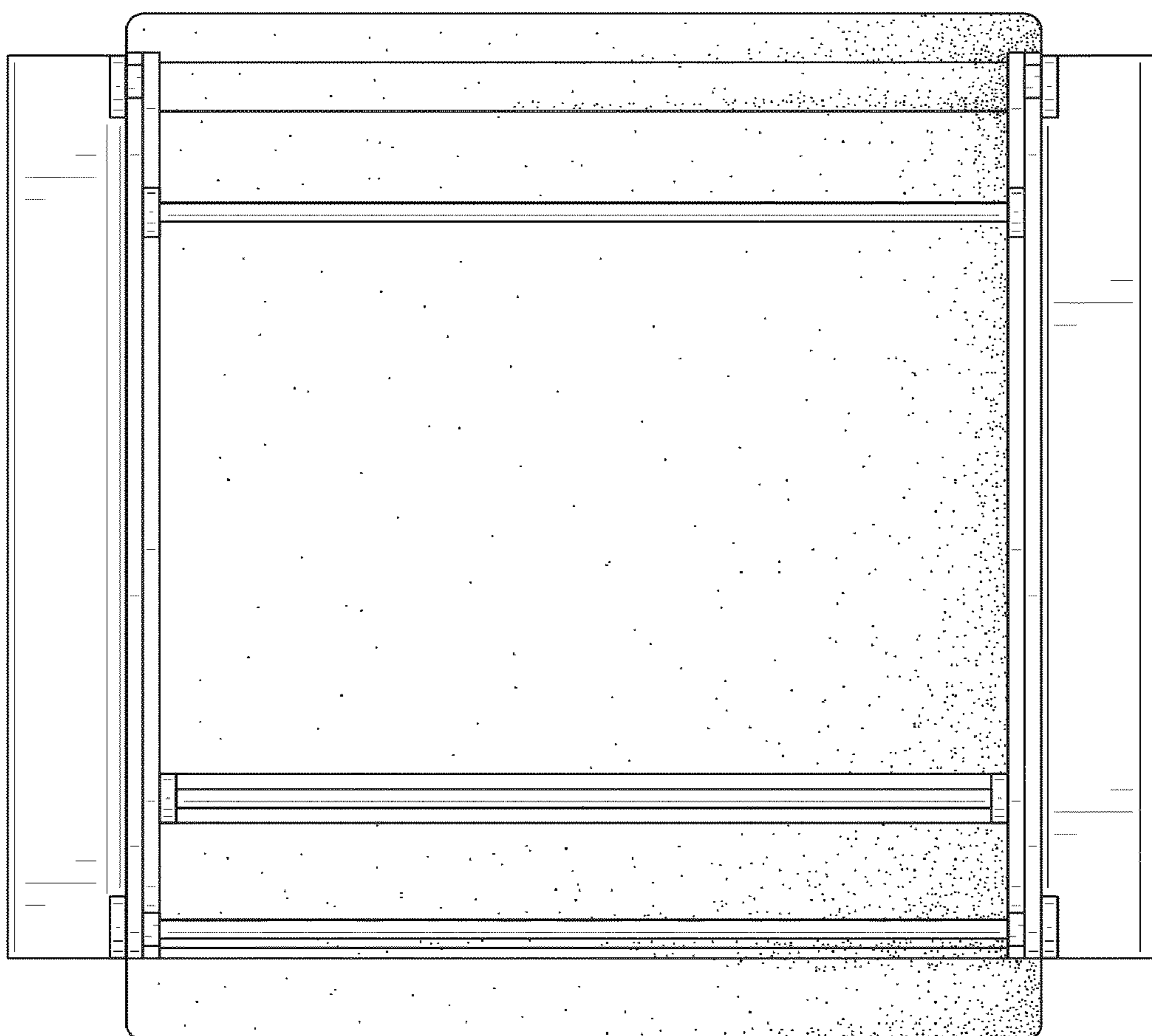


FIG. 7