



US00D653466S

(12) **United States Design Patent**
Figueras Mitjans

(10) **Patent No.:** **US D653,466 S**
(45) **Date of Patent:** **** Feb. 7, 2012**

(54) **SEATING**

- (75) Inventor: **José Figueras Mitjans**, Lliçà
D'Amunt-Barcelona (ES)
- (73) Assignee: **Figueras International Seating, S.A.**,
Llica D'Amunt - Barcelona (ES)
- (**) Term: **14 Years**
- (21) Appl. No.: **29/378,541**
- (22) Filed: **Nov. 5, 2010**

Related U.S. Application Data

- (62) Division of application No. 29/355,358, filed on Feb. 5, 2010.

Foreign Application Priority Data

- Aug. 5, 2009 (ES) 001598160-0001
- Aug. 5, 2009 (ES) 001598160-0002
- Aug. 5, 2009 (ES) 001598160-0003
- Aug. 5, 2009 (ES) 001598160-0004
- Aug. 5, 2009 (ES) 001598160-0005
- Aug. 5, 2009 (ES) 001598160-0006
- Aug. 5, 2009 (ES) 001598160-0007
- Aug. 5, 2009 (ES) 001598160-0008
- (51) **LOC (9) Cl.** **06-01**
- (52) **U.S. Cl.** **D6/364**
- (58) **Field of Classification Search** D6/362,
D6/364, 335-336, 365, 367-368, 371-374,
D6/381, 500-502; 297/232, 248, 311, 324,
297/326, 332, 335, 411.45, 451.5, 120, 452.11
See application file for complete search history.

(56) **References Cited**

U.S. PATENT DOCUMENTS

D352,400	S	*	11/1994	Yamazaki	D6/335
5,375,914	A	*	12/1994	Donnelly	297/335
D412,622	S	*	8/1999	DeJule	D6/371
D439,428	S	*	3/2001	Mizuno	D6/368
D440,422	S	*	4/2001	DeJule	D6/371
D445,574	S	*	7/2001	Foster	D6/336
D447,642	S	*	9/2001	Kimura	D6/368
D513,897	S	*	1/2006	Plant et al.	D6/368
D532,985	S	*	12/2006	Mitjans	D6/368
D575,073	S	*	8/2008	Mitjans	D6/381
D605,863	S	*	12/2009	Aruga et al.	D6/356

* cited by examiner

Primary Examiner — Elizabeth Albert
Assistant Examiner — Kelley Donnelly
 (74) *Attorney, Agent, or Firm* — Lucas & Mercanti, LLP

(57) **CLAIM**

The ornamental design for a seating, as shown and described.

DESCRIPTION

FIG. 1 is a front perspective view of the seating showing my new design;
 FIG. 2 is a front perspective view thereof shown in a closed position;
 FIG. 3 is a front view thereof in an open position;
 FIG. 4 is a side view, the other side being a mirror image thereof; and,
 FIG. 5 is a rear view thereof.
 The broken lines showing the small circular features in the middle of the backs in FIG. 5 are for the purpose of illustrating the environment of the design only and form no part of the claimed design.

1 Claim, 5 Drawing Sheets



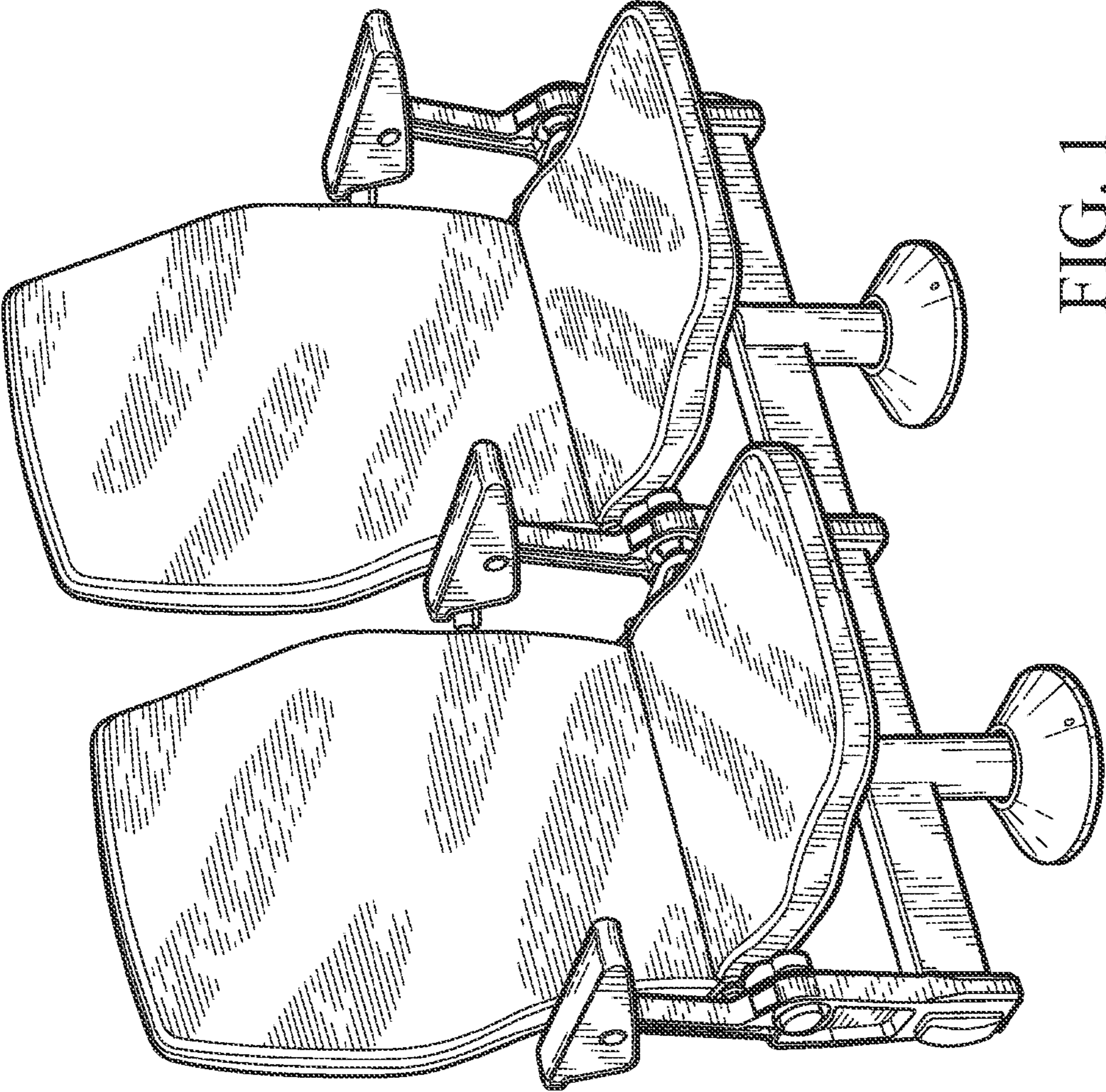


FIG. 1

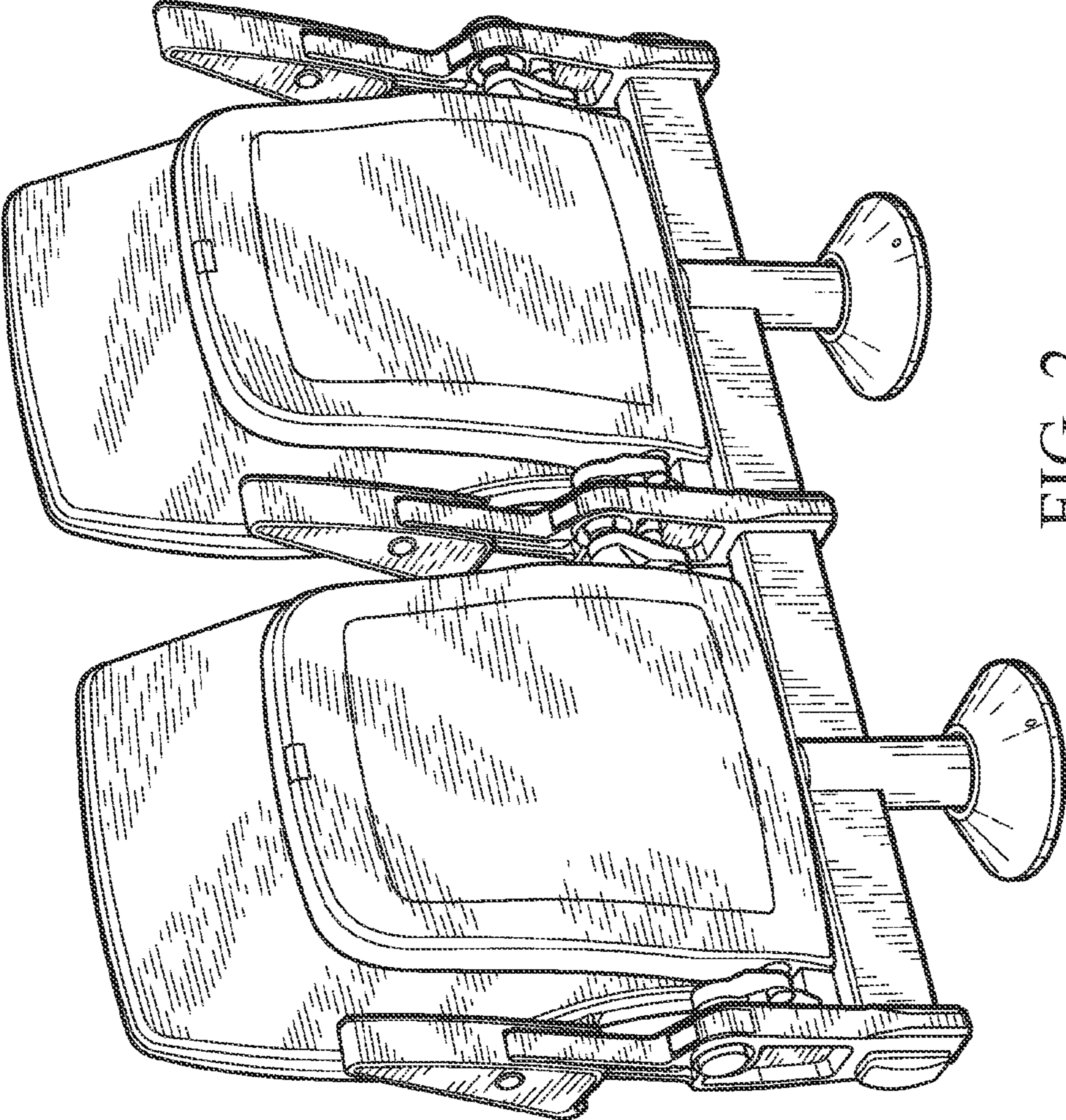


FIG. 2

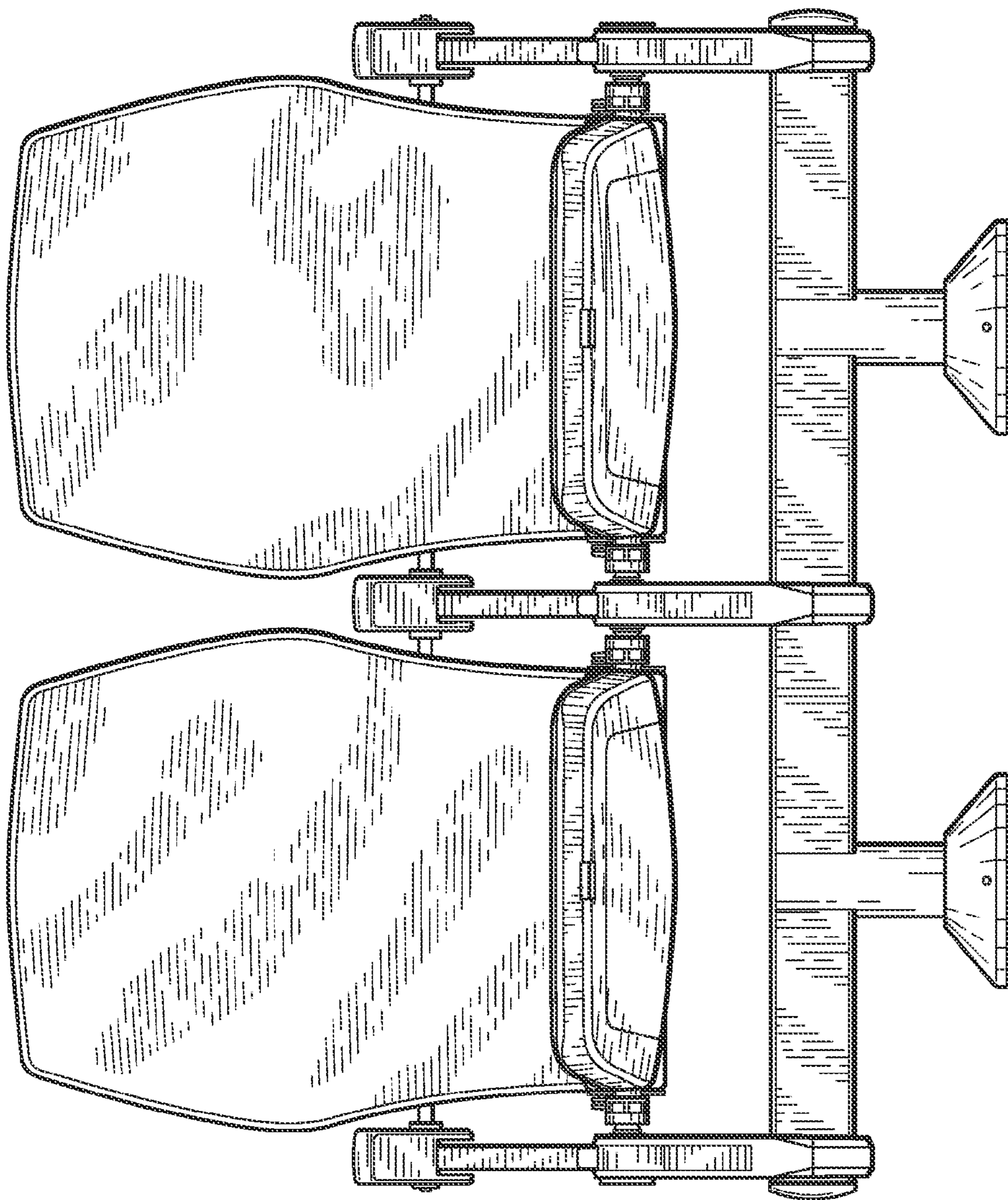


FIG. 3

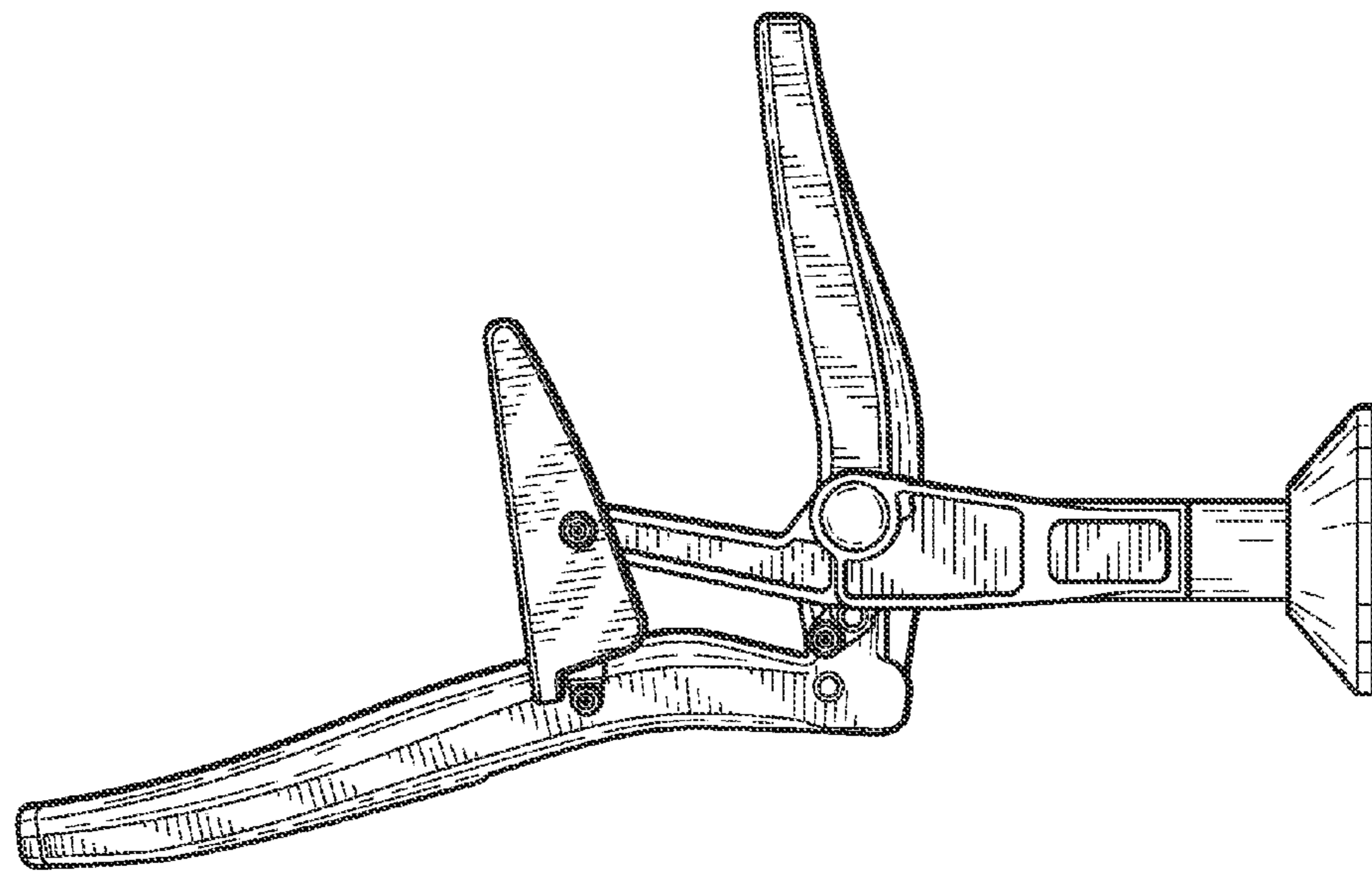


FIG. 4

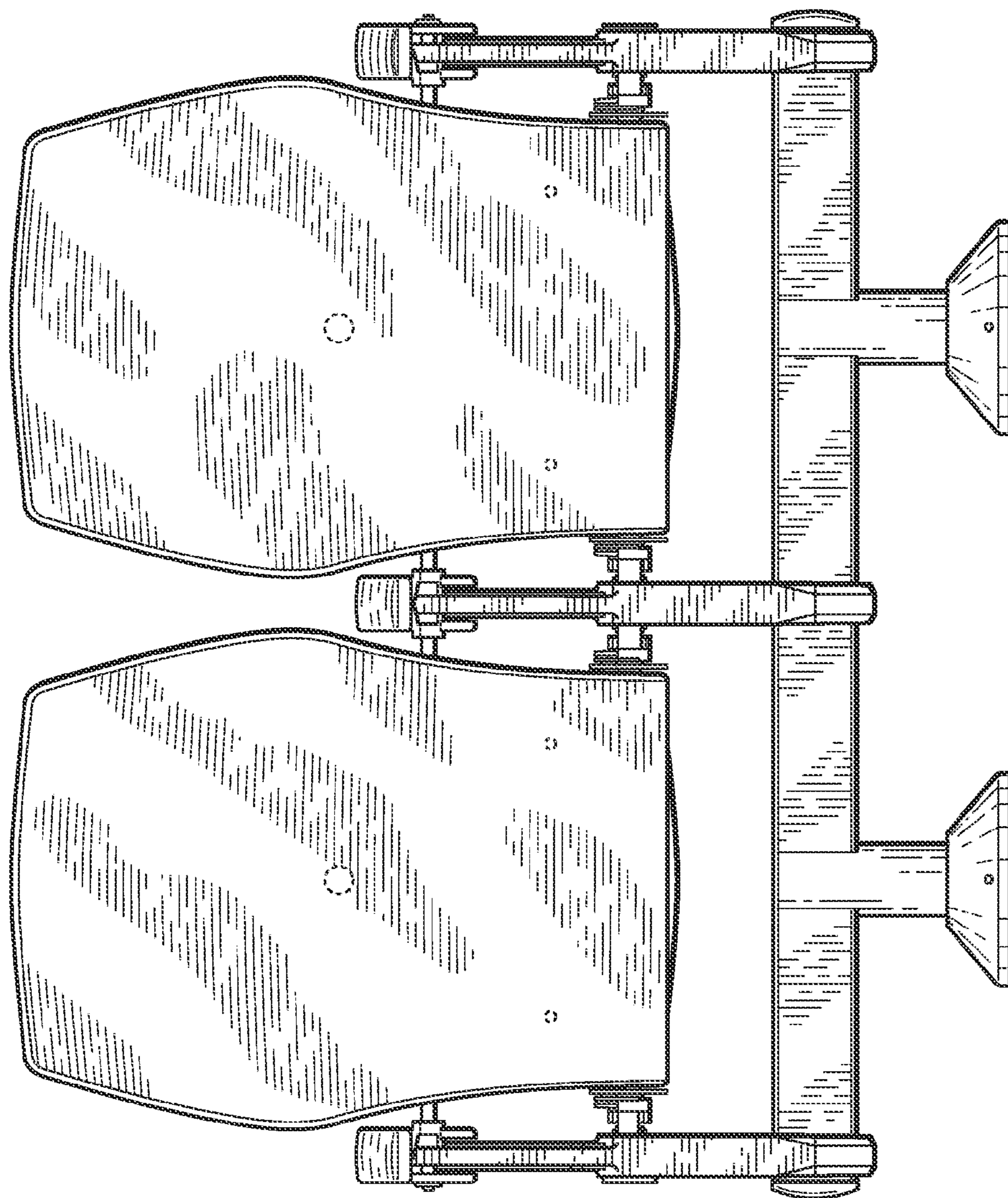


FIG. 5