



US00D653462S

(12) **United States Design Patent**
Trexler

(10) **Patent No.:** **US D653,462 S**

(45) **Date of Patent:** **** Feb. 7, 2012**

(54) **GARMENT HANGER**

(75) Inventor: **Sandy Trexler**, Springdale, AR (US)

(73) Assignee: **Star Wellness, LLC**, Springdale, AR (US)

(**) Term: **14 Years**

(21) Appl. No.: **29/373,504**

(22) Filed: **Apr. 15, 2011**

(51) **LOC (9) Cl.** **08-06**

(52) **U.S. Cl.** **D6/323**

(58) **Field of Classification Search** D6/315-328;
223/85-98; 248/301, 304; 211/85.1, 73,
211/30, 33, 113

See application file for complete search history.

(56) **References Cited**

U.S. PATENT DOCUMENTS

4,367,314	A *	1/1983	Kageyama et al.	525/168
4,401,219	A *	8/1983	Mink	206/566
5,515,978	A *	5/1996	Moran	211/30
5,762,206	A *	6/1998	Leichter	211/32
6,145,675	A *	11/2000	Kass et al.	211/71.01

D489,252	S *	5/2004	Cheng	D8/372
D566,405	S *	4/2008	Belokin	D6/315
D578,312	S *	10/2008	Belokin	D6/315
D582,686	S *	12/2008	Belokin	D6/315

* cited by examiner

Primary Examiner — Prabhakar Deshmukh

(74) *Attorney, Agent, or Firm* — Keisling & Pieper PLC; Meredith K. Lowry

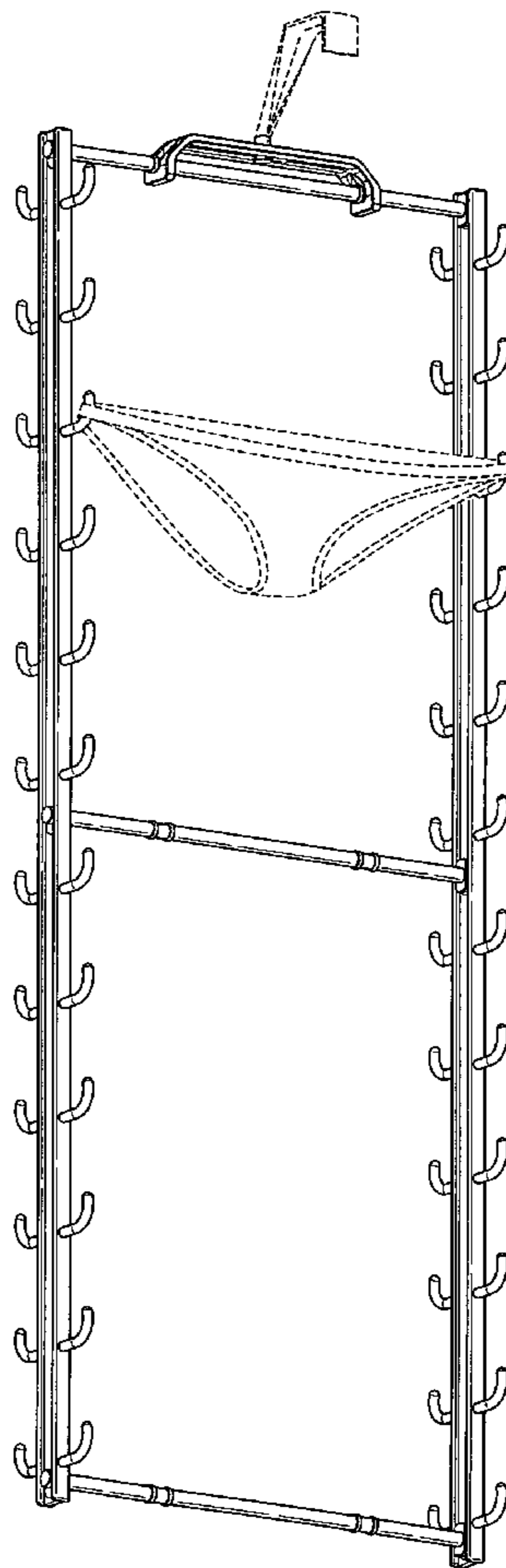
(57) **CLAIM**

The ornamental design for a garment hanger, as shown and described.

DESCRIPTION

FIG. 1 is a perspective view of a garment hanger showing my new design supporting a garment;
FIG. 2 is a front elevational view thereof;
FIG. 3 is a back elevational view thereof;
FIG. 4 is a right side elevational view thereof, the left side being a mirror image
FIG. 5 is a top plan view thereof; and,
FIG. 6 is a bottom plan view thereof.
Where included, broken lines are for illustrative purposes only and form no part of the claimed design.

1 Claim, 3 Drawing Sheets



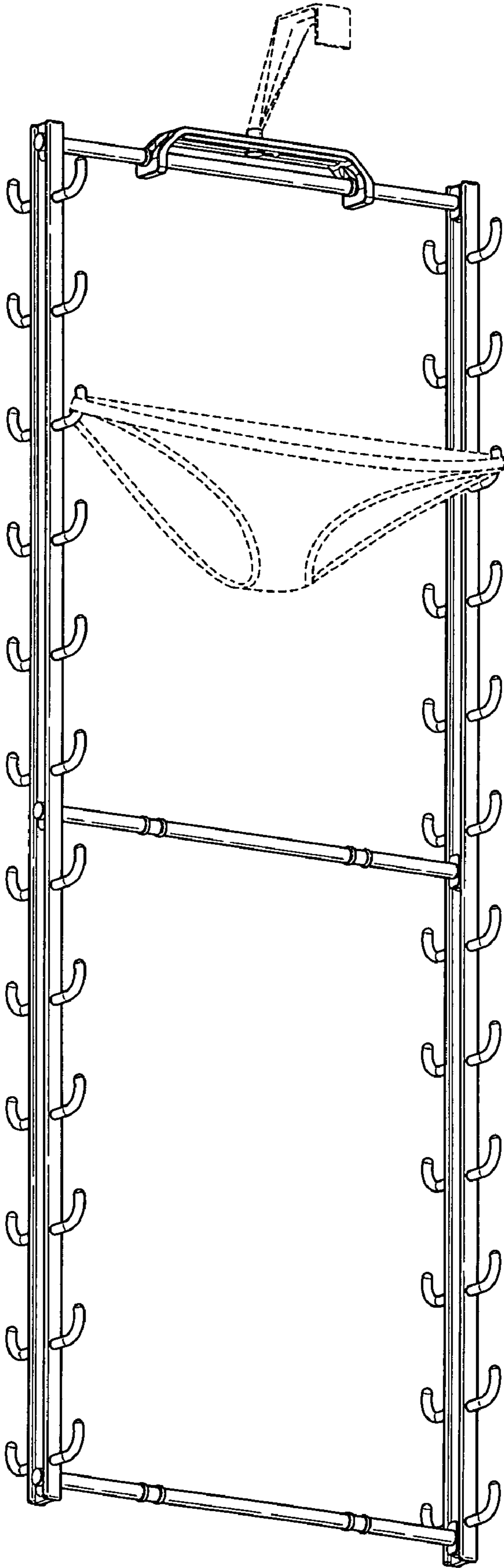


FIG. 1

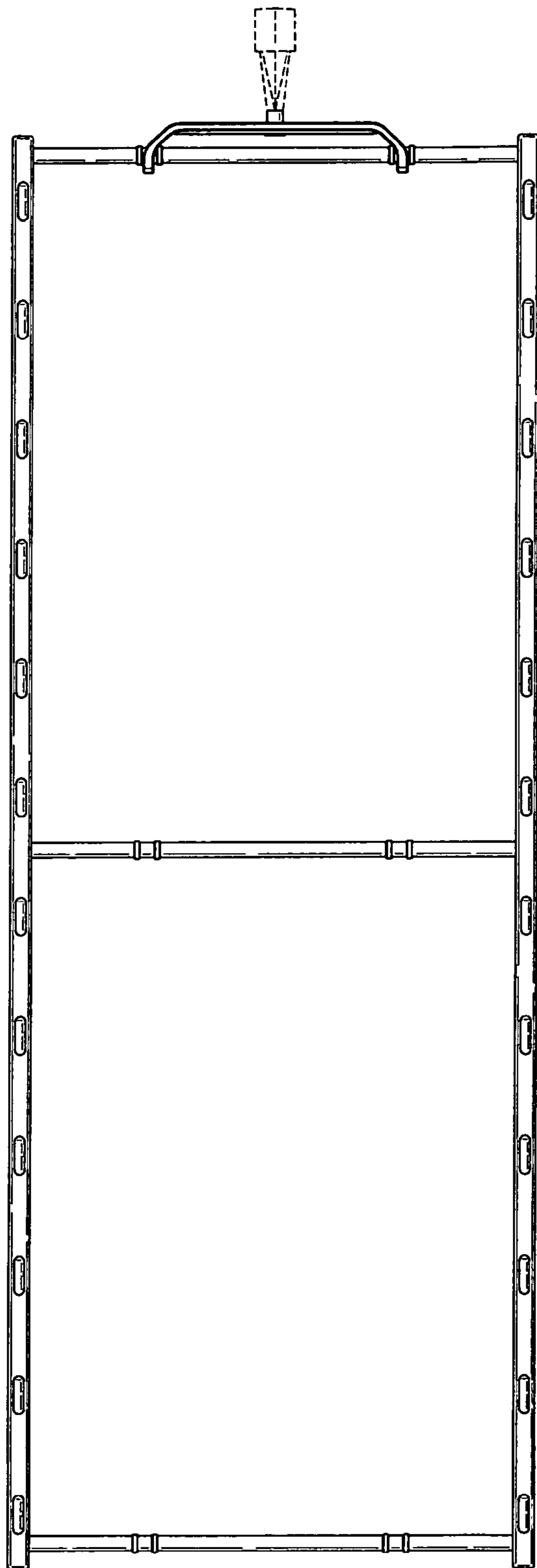


FIG. 2

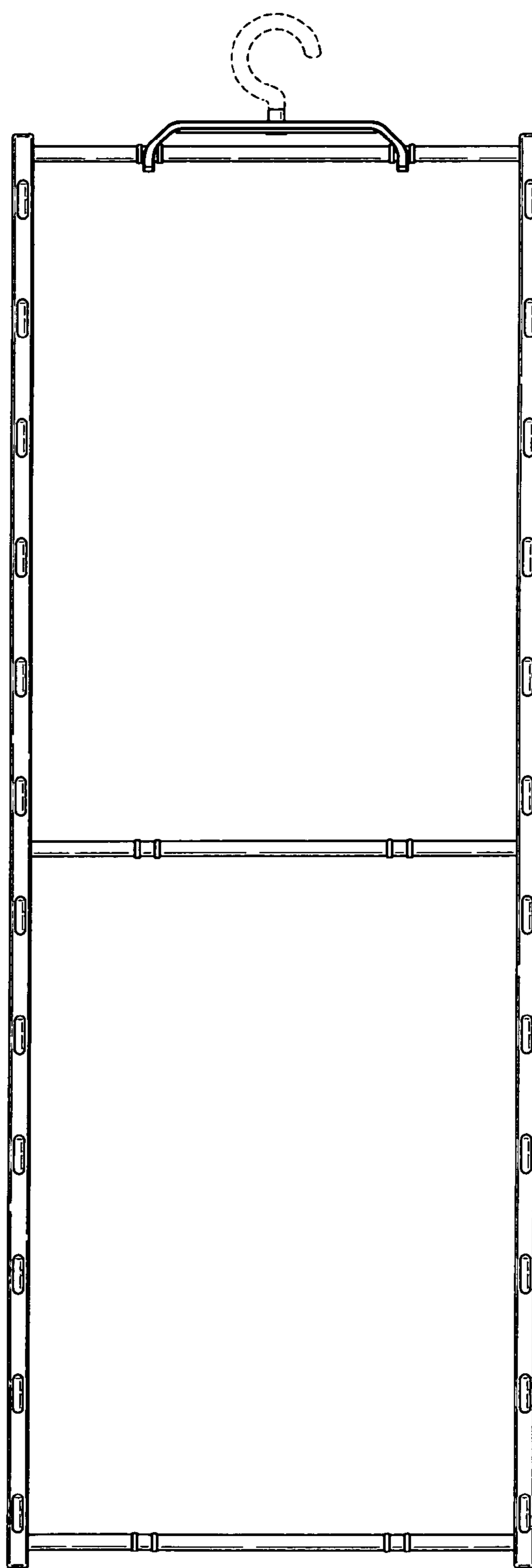


FIG. 3

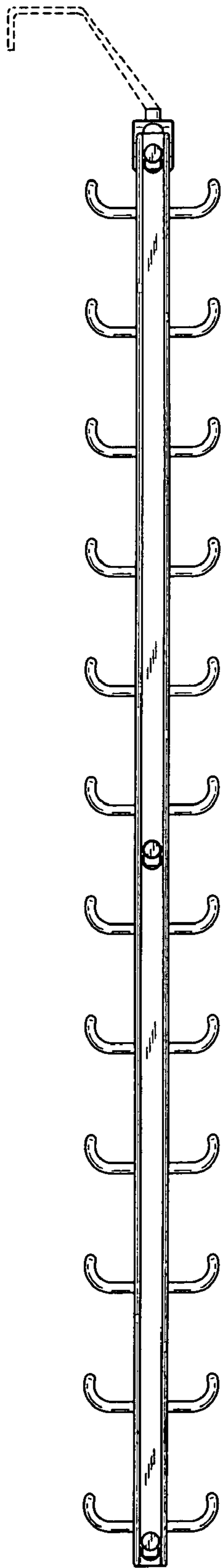


FIG. 4

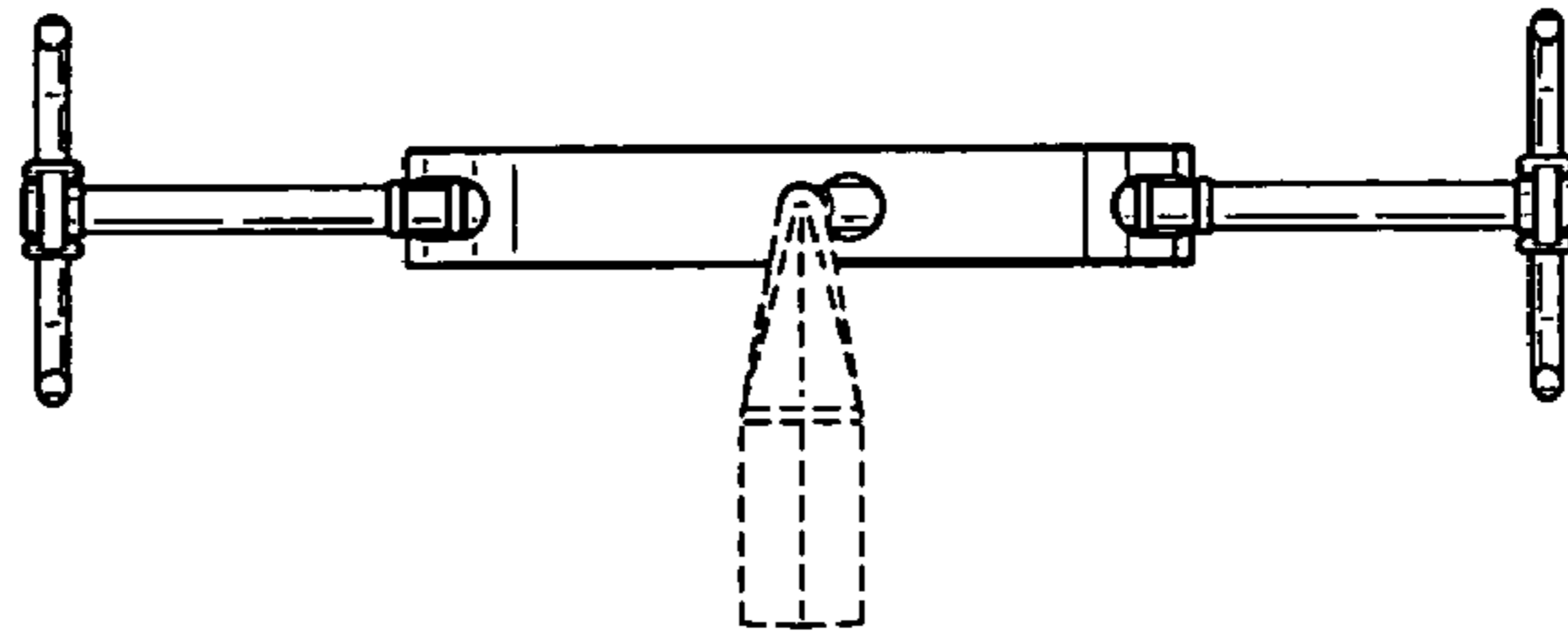


FIG. 5

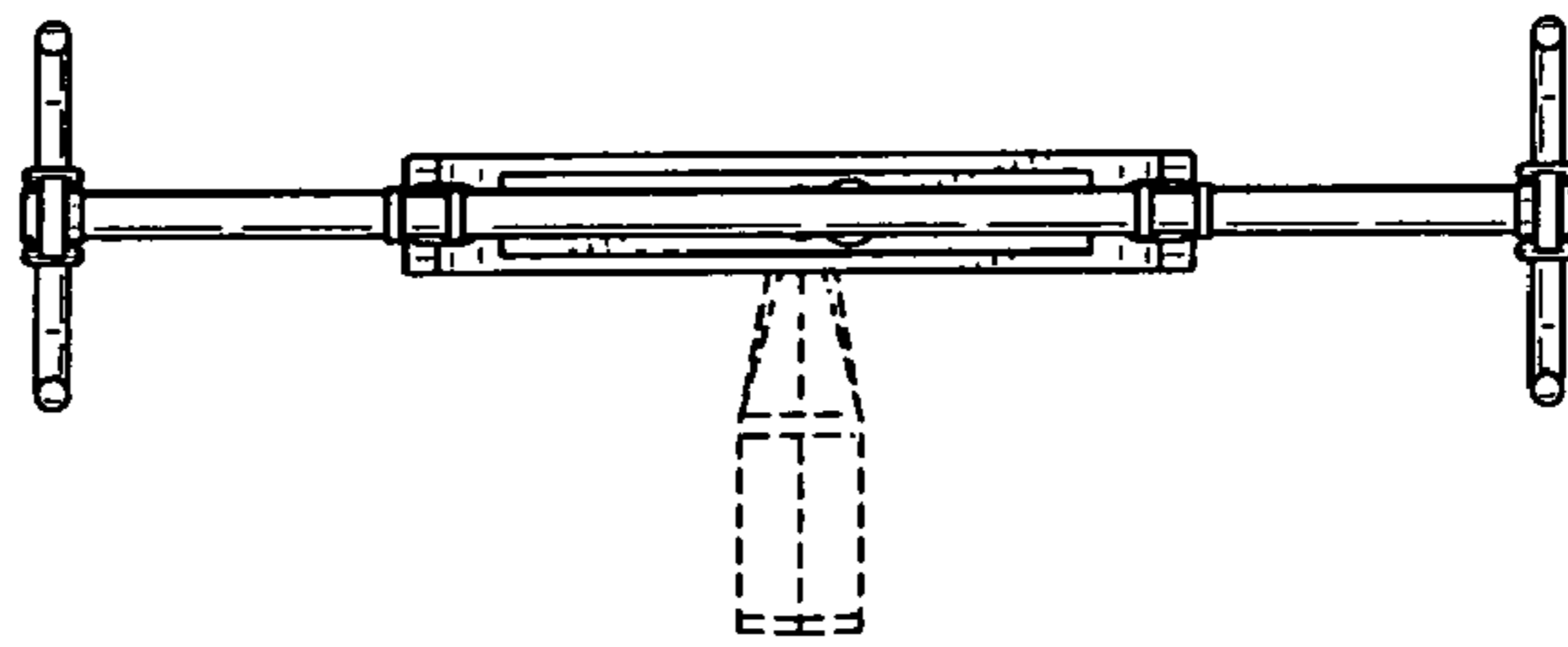


FIG. 6