



US00D653461S

(12) **United States Design Patent**
Ziaylek et al.

(10) **Patent No.:** **US D653,461 S**
(45) **Date of Patent:** **** Feb. 7, 2012**

(54) **POSITIVELY ENGAGING HELMET
BRACKET WITH SET BACK**
(75) Inventors: **Michael P. Ziaylek**, Yardley, PA (US);
W. Brian McGinty, Huntingdon Valley,
PA (US)

(73) Assignee: **Michael P. Ziaylek**, Yardley, PA (US)

(**) Term: **14 Years**

(21) Appl. No.: **29/316,674**

(22) Filed: **Oct. 20, 2009**

(51) **LOC (9) Cl.** **06-08**

(52) **U.S. Cl.** **D6/320**

(58) **Field of Classification Search** D6/315,
D6/320, 323, 327, 411, 465, 467, 468, 477,
D6/512, 552, 553, 567, 569, 570, 574; D8/373;
211/30-33; 248/127, 176.1, 235, 247, 309.1,
248/316.233, 317

See application file for complete search history.

(56) **References Cited**

U.S. PATENT DOCUMENTS

| | | | | | | |
|-----------|---|---|---------|-----------------|-------|--------|
| D124,431 | S | * | 12/1940 | Vogt | | D6/320 |
| D281,203 | S | * | 11/1985 | Nystrom | | D6/324 |
| 4,583,646 | A | * | 4/1986 | Bowman | | 211/32 |
| 4,821,891 | A | | 4/1989 | Williams | | |
| 4,975,980 | A | | 12/1990 | Ersteniuk | | |
| 5,002,190 | A | * | 3/1991 | Moreland | | 211/32 |
| 5,038,941 | A | * | 8/1991 | Bastiaansen | | 211/32 |
| 5,121,508 | A | | 6/1992 | Grilliot et al. | | |
| 5,137,157 | A | * | 8/1992 | Lawson | | 211/32 |
| 5,240,123 | A | * | 8/1993 | Hawk | | 211/32 |

| | | | | | | |
|--------------|----|---|---------|----------------|-------|--------|
| D357,842 | S | | 5/1995 | Cohrs | | |
| 5,411,144 | A | | 5/1995 | Deupree | | |
| 5,480,073 | A | * | 1/1996 | LaManna | | 223/1 |
| 5,762,206 | A | * | 6/1998 | Leichter | | 211/32 |
| D404,580 | S | * | 1/1999 | Hasler | | D6/320 |
| D408,637 | S | * | 4/1999 | Sparks | | D6/320 |
| 6,212,688 | B1 | | 4/2001 | Leslie | | |
| 6,478,025 | B1 | | 11/2002 | Yort et al. | | |
| 6,776,453 | B1 | | 8/2004 | Floyd, Jr. | | |
| 7,273,153 | B1 | | 9/2007 | Kuniyoshi | | |
| D574,160 | S | * | 8/2008 | Therrio et al. | | D6/315 |
| 2003/0188448 | A1 | | 10/2003 | Reed | | |

* cited by examiner

Primary Examiner — Prabhakar Deshmukh

(74) *Attorney, Agent, or Firm* — Sperry, Zoda & Kane

(57) **CLAIM**

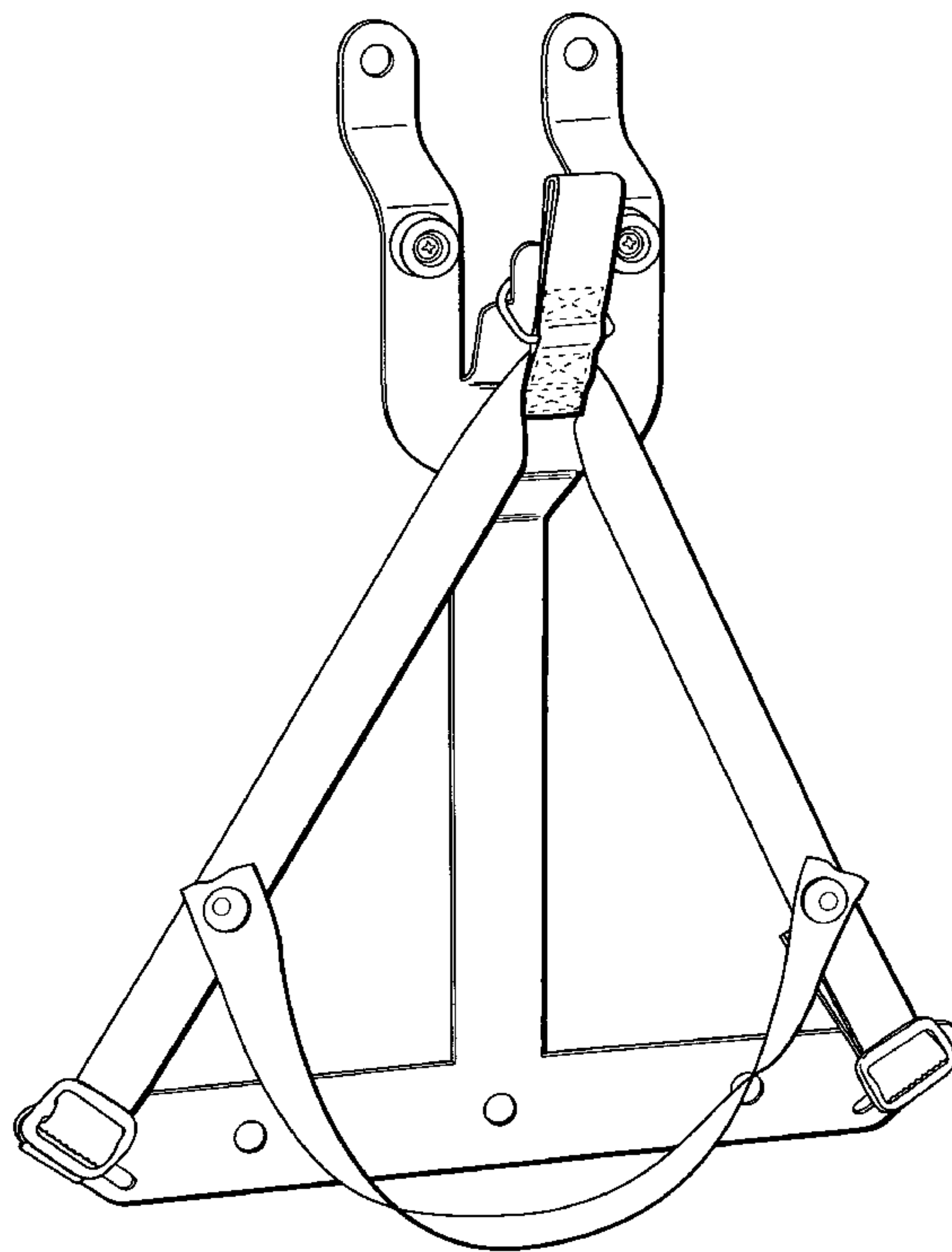
The ornamental design for a positively engaging helmet bracket with set back, as shown and described.

DESCRIPTION

FIG. 1 is front perspective view of a positively engaging helmet bracket with set back showing our new design; FIG. 2 is front elevational view thereof; FIG. 3 is a right side elevational view thereof; FIG. 4 is a rear elevational view thereof; FIG. 5 is a top plan view thereof; FIG. 6 is a bottom plan view thereof; and, FIG. 7 is a front perspective view thereof, showing the article in its environmental use.

The broken lines representing the helmet and disclaimed portions of the design are for illustrative purpose only and form no part of the claimed design.

1 Claim, 6 Drawing Sheets



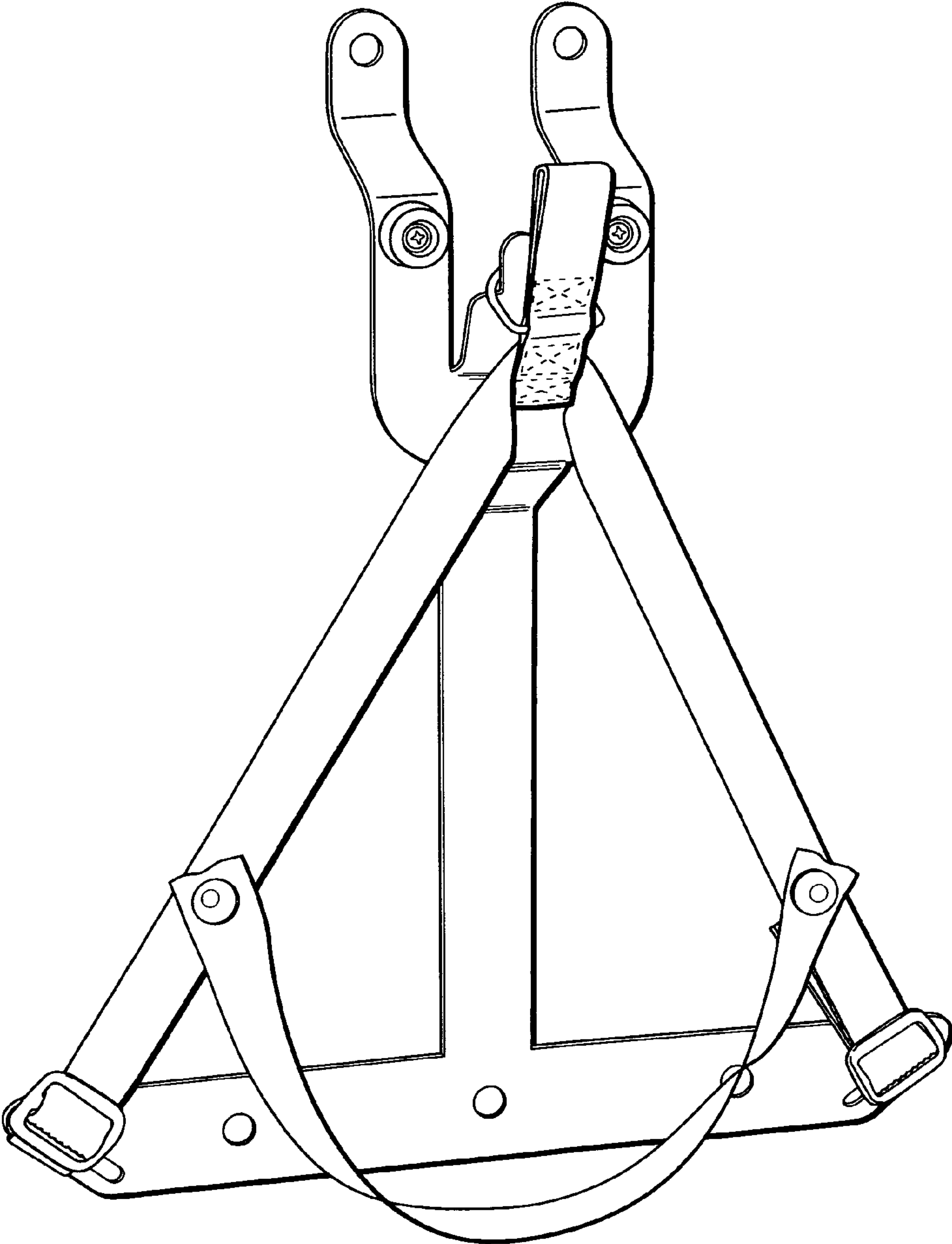


FIG. 1

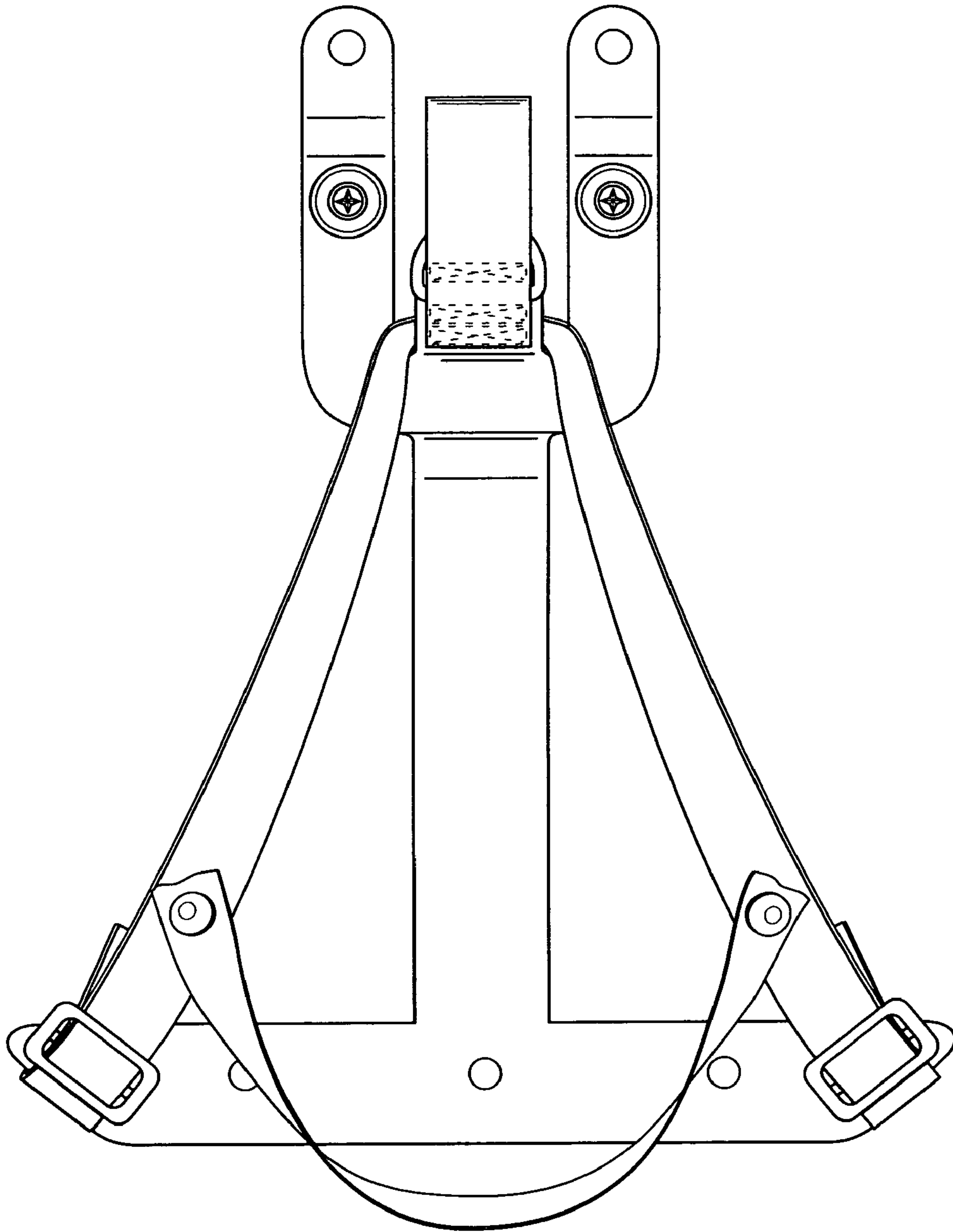


FIG. 2



FIG. 3

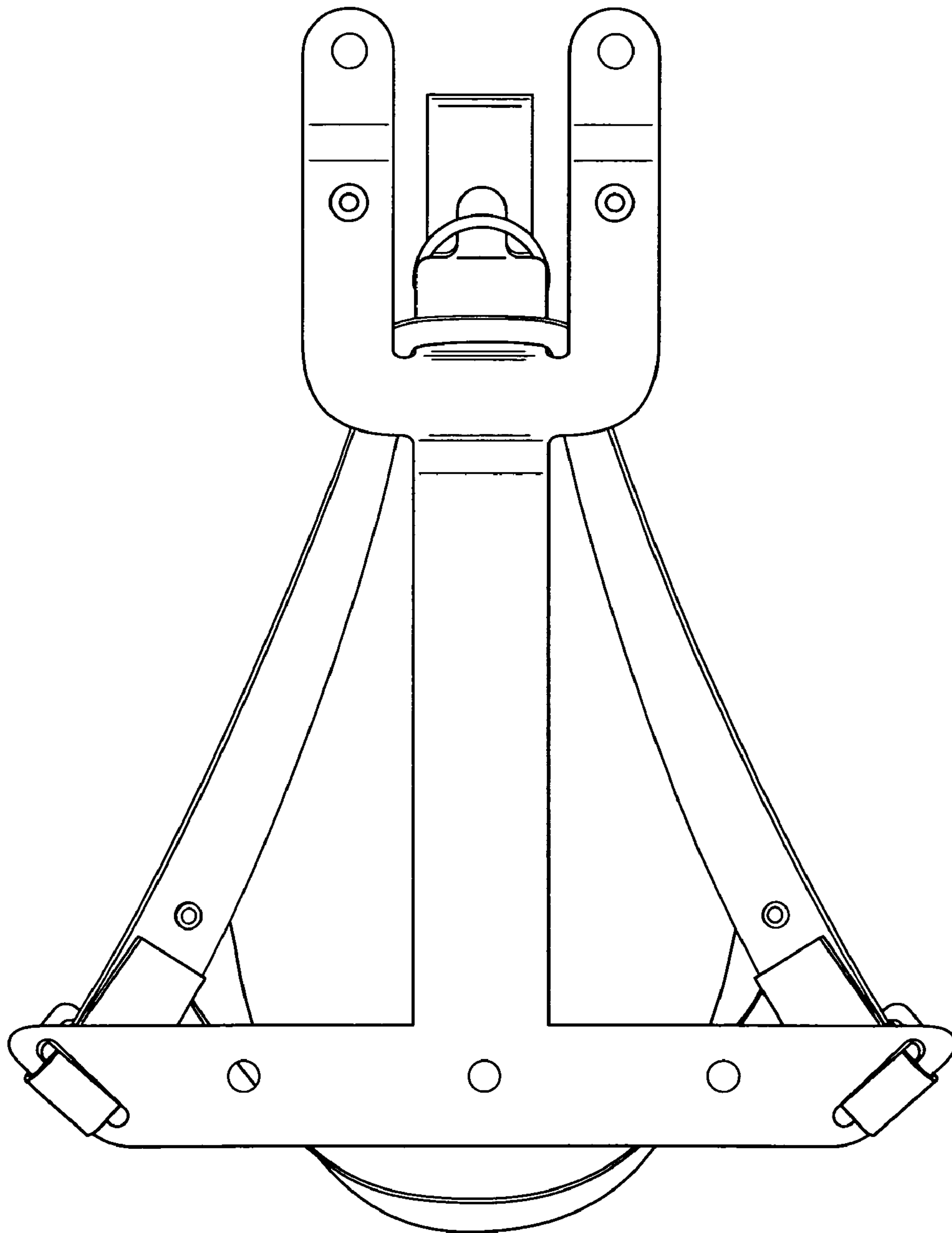


FIG. 4

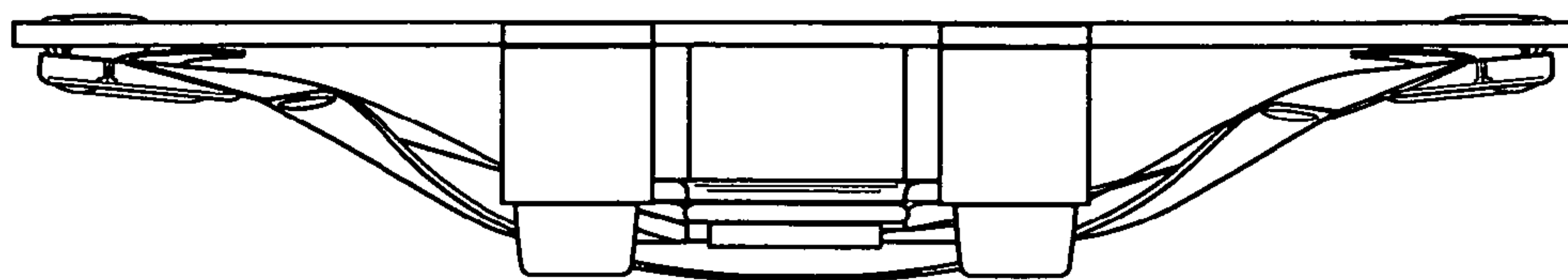


FIG. 5

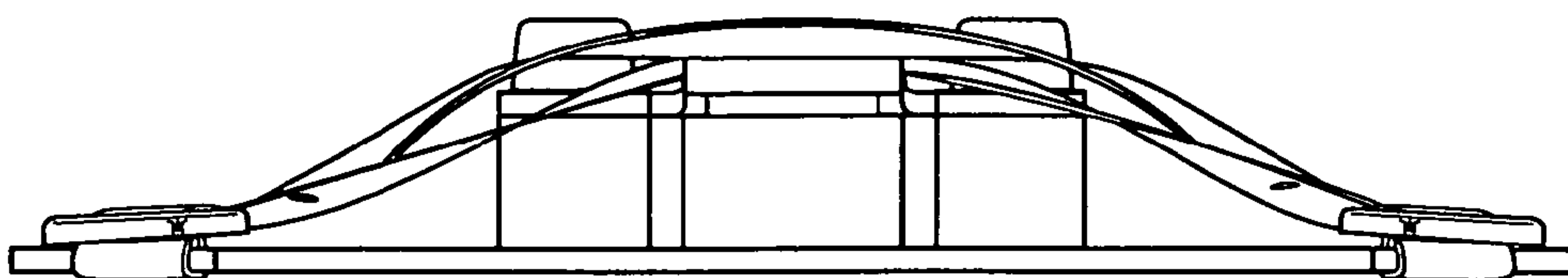


FIG. 6

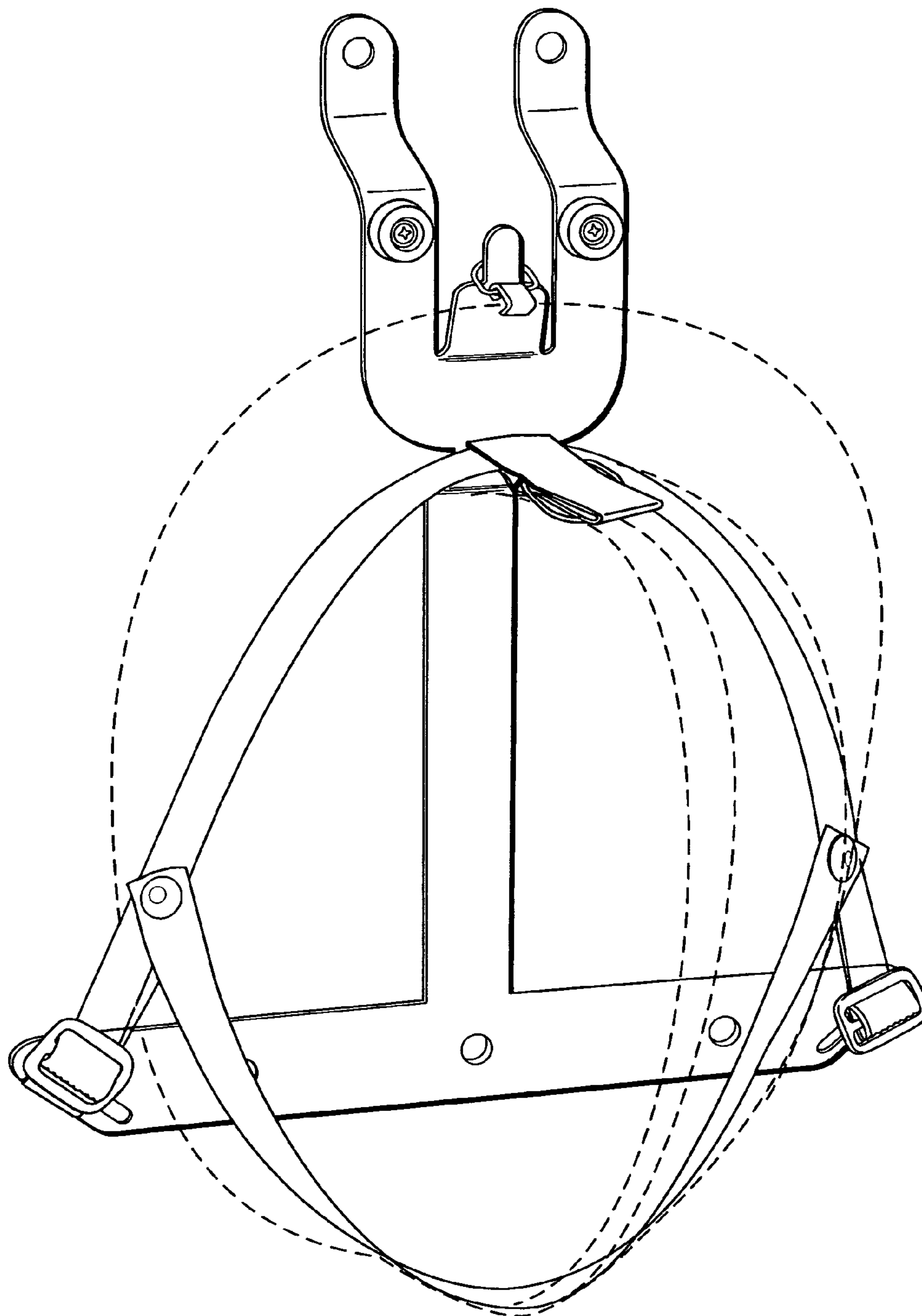


FIG. 7