



US00D653457S

(12) **United States Design Patent**
Della Valle et al.

(10) **Patent No.:** **US D653,457 S**
(45) **Date of Patent:** **** Feb. 7, 2012**

(54) **TEXTURED MATERIAL**

(75) Inventors: **Diego Della Valle**, Sant'Elpidio a Mare (IT); **Daniele Michetti**, Sant'Elpidio a Mare (IT)

(73) Assignee: **TOD'S S.p.A.**, Sant'Elpidio a Mare (Fermo) (IT)

(**) Term: **14 Years**

(21) Appl. No.: **29/377,470**

(22) Filed: **Oct. 21, 2010**

(30) **Foreign Application Priority Data**

Apr. 22, 2010 (EM) 001698580

(51) **LOC (9) Cl.** **05-05**

(52) **U.S. Cl.** **D5/58**

(58) **Field of Classification Search** D5/1, 3, D5/4, 7, 47, 53, 54, 57-63, 99; D6/582, D6/583, 592, 594; D19/5; D24/124, 126; 4/581; 5/490; 15/208, 209.1; 112/401, 402; 139/383 B, 383 R, 384 R; 162/109, 134; 428/32, 39, 187, 542.2, 542.6

See application file for complete search history.

(56) **References Cited**

U.S. PATENT DOCUMENTS

331,469 A *	12/1885	Baker	428/179
348,782 A *	9/1886	Sawyer	52/177
1,190,179 A *	7/1916	Livingston	4/583
D99,567 S *	5/1936	Bernheim	D5/47
D102,608 S *	1/1937	Kaplan	D5/99

D117,548 S *	11/1939	Feldman	D5/47
D191,736 S *	11/1961	Kelly et al.	D5/53
4,715,743 A *	12/1987	Schmanski	404/9
4,963,412 A *	10/1990	Kokeguchi	428/137
5,366,785 A *	11/1994	Sawdai	428/156
5,723,200 A *	3/1998	Oshima et al.	428/172
D414,973 S *	10/1999	Craft et al.	D6/583
D472,419 S *	4/2003	Robbins, III	D6/582
D478,761 S *	8/2003	Robbins, III	D6/582
D525,436 S *	7/2006	Delaney	D5/53
D540,517 S *	4/2007	McClaskie	D2/954
D559,510 S *	1/2008	McClaskie	D2/954

* cited by examiner

Primary Examiner — Karen S Acker

(74) *Attorney, Agent, or Firm* — Knobbe, Martens, Olson & Bear, LLP

(57) **CLAIM**

The ornamental design for a textured material, as shown and described.

DESCRIPTION

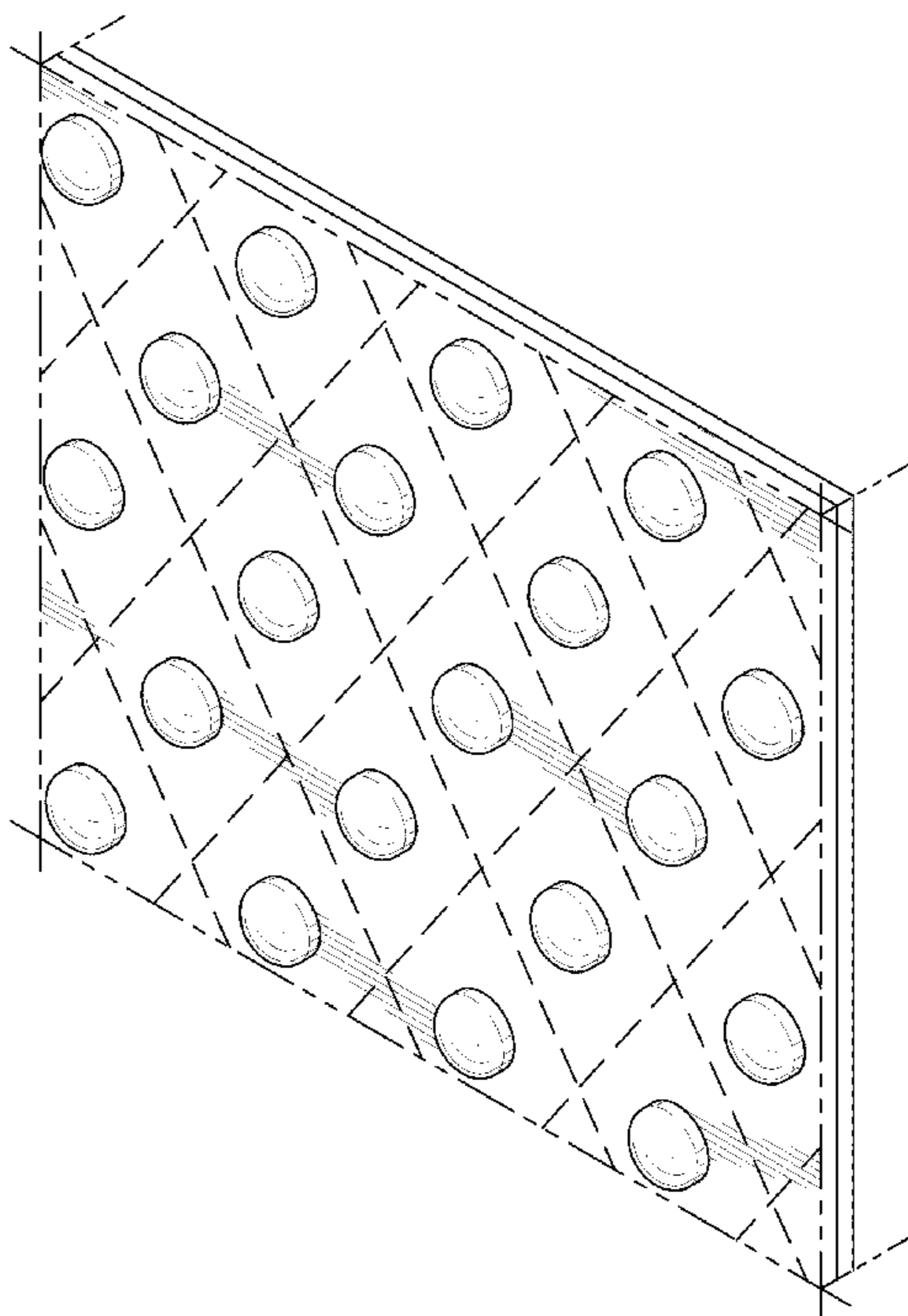
FIG. 1 is a perspective view of a textured material showing our new design.

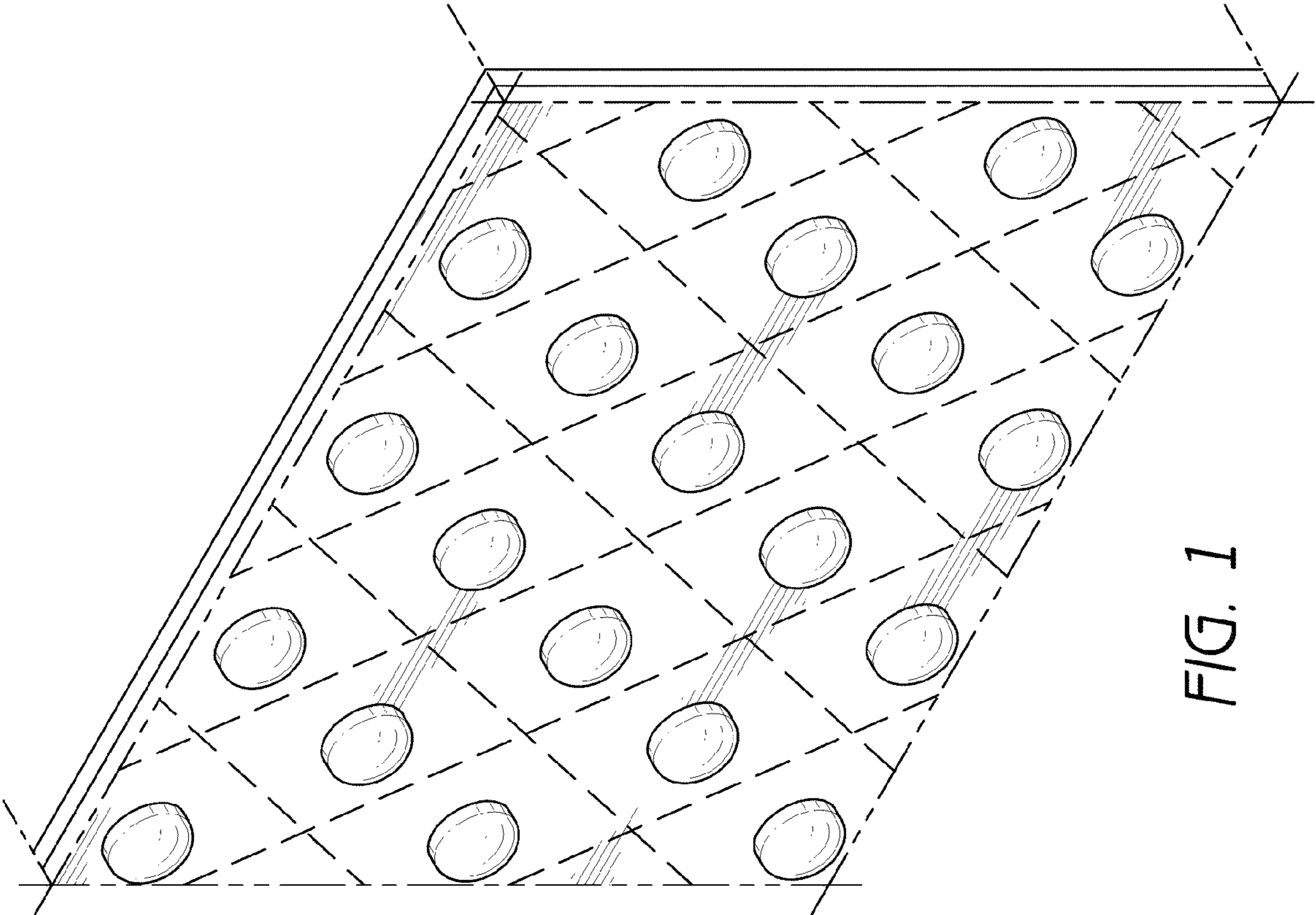
FIG. 2 is a top plan view thereof.

FIG. 3 is a front elevational view thereof. The rear elevational view is a mirror image of the front elevational view; and, FIG. 4 is a right side elevational view thereof. The left side elevational view is a mirror image of the right side elevational view.

The evenly-dashed lines in FIGS. 1 and 2 represent stitching-type lines that form a part of the claimed design. The dot-dot-dash lines in all of the figures are boundary lines and form no part of the claimed design.

1 Claim, 2 Drawing Sheets





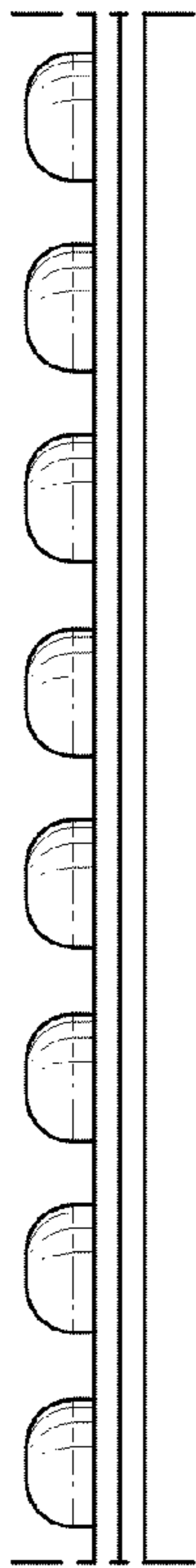


FIG. 3

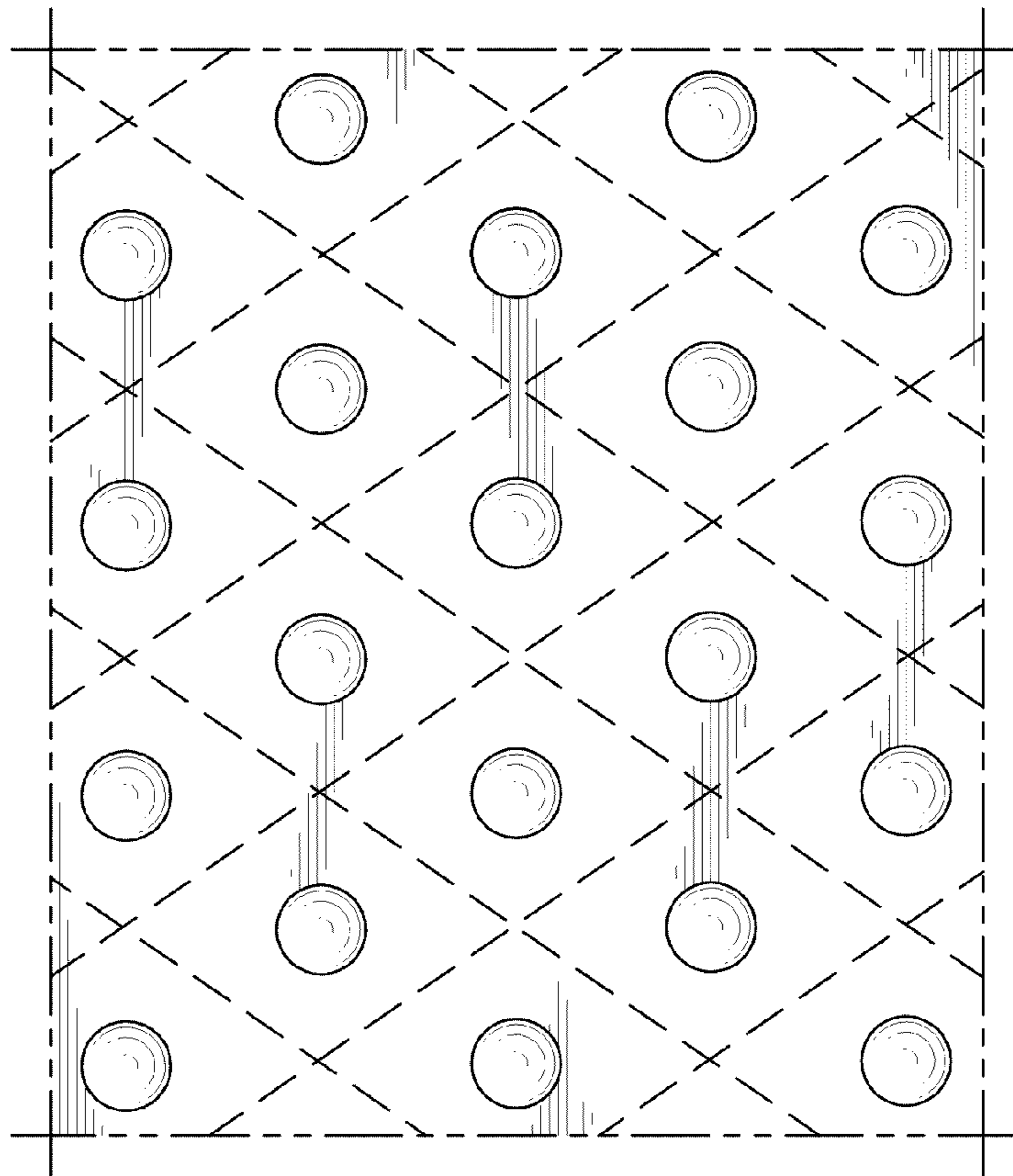


FIG. 2

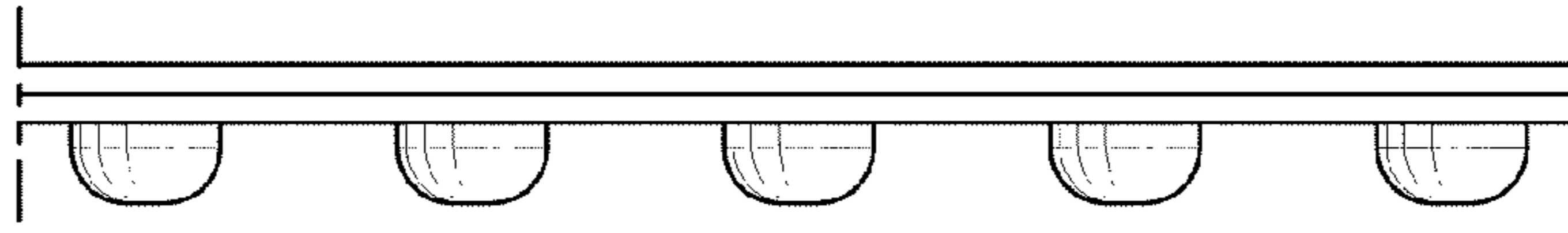


FIG. 4