



US00D653455S

(12) **United States Design Patent**
Cynewski

(10) **Patent No.:** **US D653,455 S**
(45) **Date of Patent:** **** Feb. 7, 2012**

(54) **SCRUBBER SANDAL**

(76) Inventor: **Steven D. Cynewski**, Amesbury, MA
(US)

(**) Term: **14 Years**

(21) Appl. No.: **29/396,086**

(22) Filed: **Jun. 24, 2011**

(51) **LOC (9) Cl.** **04-01**

(52) **U.S. Cl.** **D4/124; D4/129; D2/898**

(58) **Field of Classification Search** D4/124,
D4/129, 130; 15/159.1, 160, 186, 187, 227;
D2/898, 905, 916; D28/63; D32/43; 36/7.1 R,
36/9 R, 11.5

See application file for complete search history.

(56) **References Cited**

U.S. PATENT DOCUMENTS

599,495	A *	2/1898	Durel et al.	15/143.1
3,460,182	A	8/1969	Grande, Jr.	
5,173,985	A	12/1992	Palmer	
D389,318	S *	1/1998	Williams	D4/130
D411,240	S *	6/1999	Risko	D2/916
6,052,856	A	4/2000	DeMoya et al.	
D425,680	S *	5/2000	Payne	D32/43

D573,797	S	7/2008	Guillaume	
2006/0265828	A1 *	11/2006	Mallatt et al.	15/227
2010/0242305	A1 *	9/2010	Liu	36/102

OTHER PUBLICATIONS

CN 3223456 Registered Design Application, (Zhou Xingwang) Feb. 20, 2002, [online], [retrieved on Sep. 26, 2011] Retrieved from the Questel Intellectual Property Portal Design Database using the Internet: <URL: <http://www.orbit.com>>.*

* cited by examiner

Primary Examiner — Melanie H Tung
Assistant Examiner — Lavone D Tabor

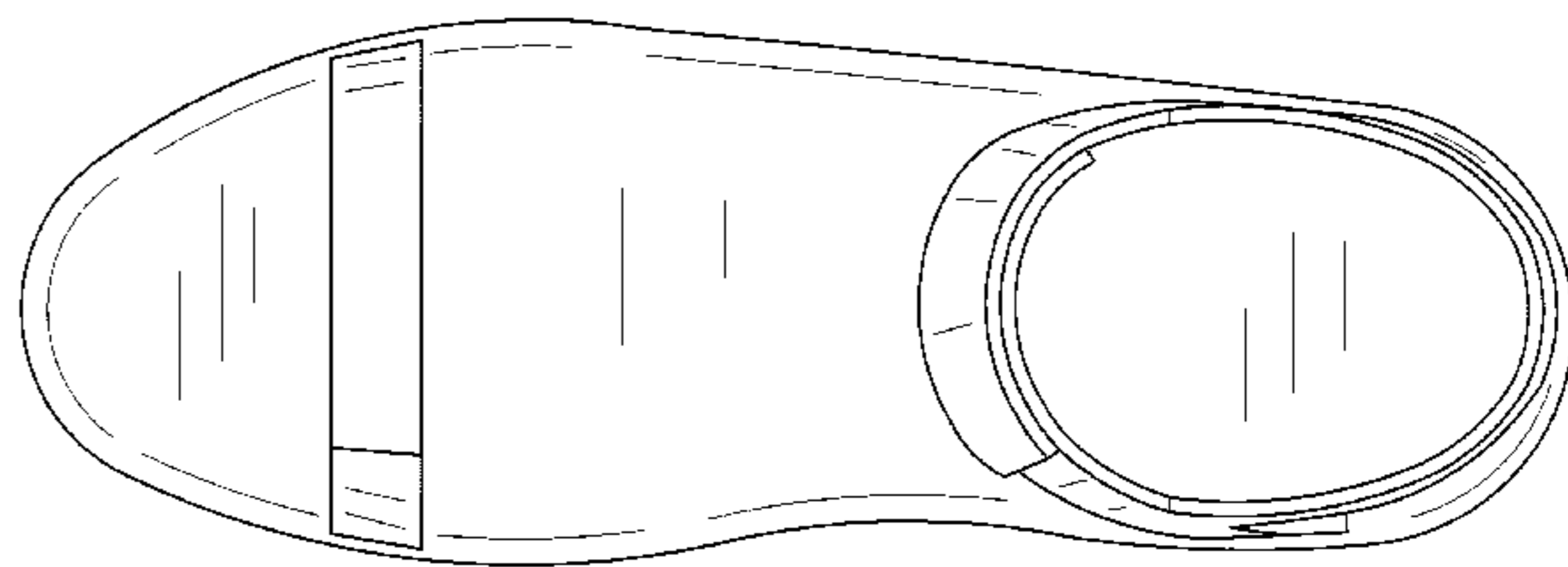
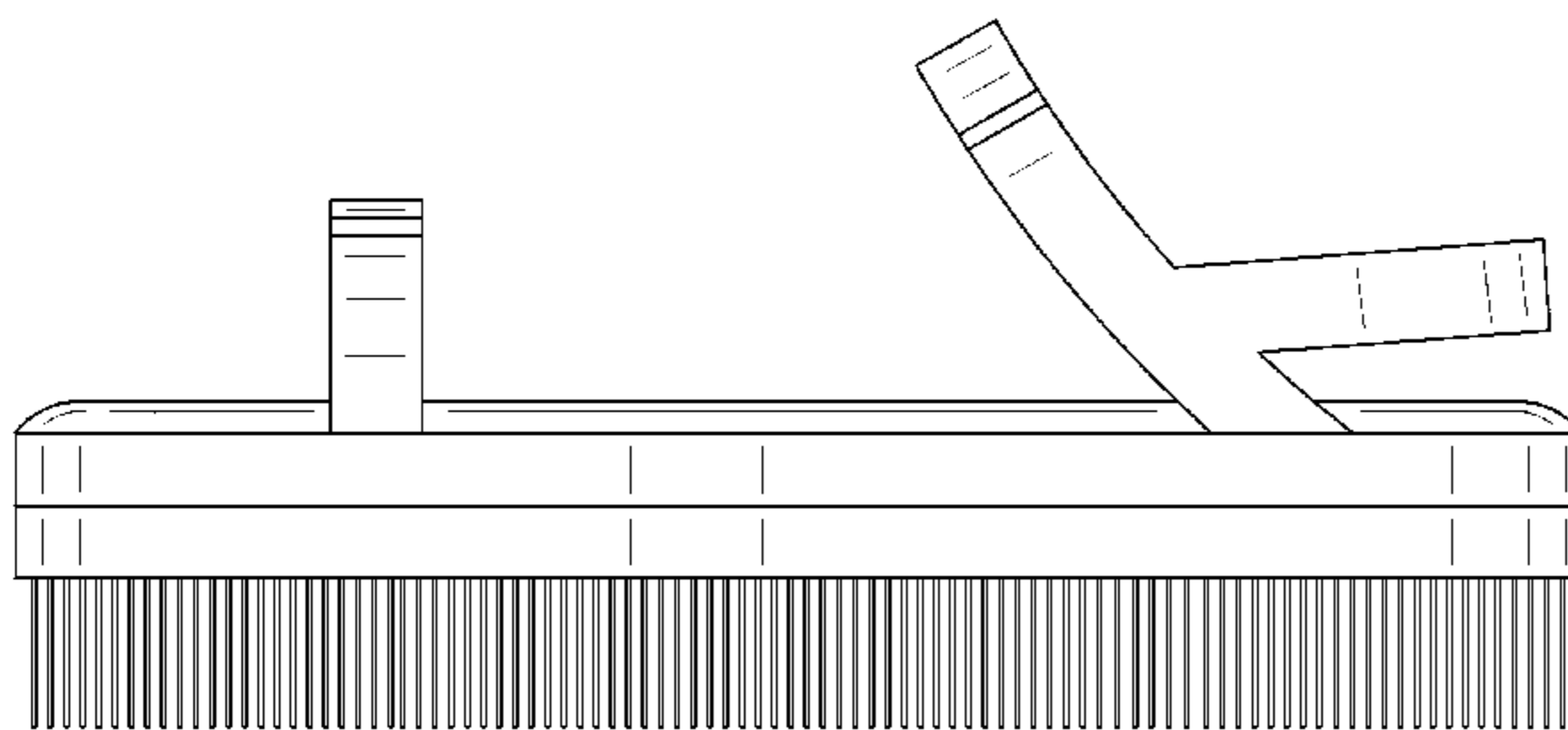
(57) **CLAIM**

The ornamental design for a scrubber sandal, as shown and described.

DESCRIPTION

FIG. 1 is a right elevation view of a scrubber sandal showing my new design;
FIG. 2 is a left elevation view thereof;
FIG. 3 is a front elevation view thereof;
FIG. 4 is a rear elevation view thereof;
FIG. 5 is a top plan view thereof; and,
FIG. 6 is bottom plan view thereof.

1 Claim, 4 Drawing Sheets



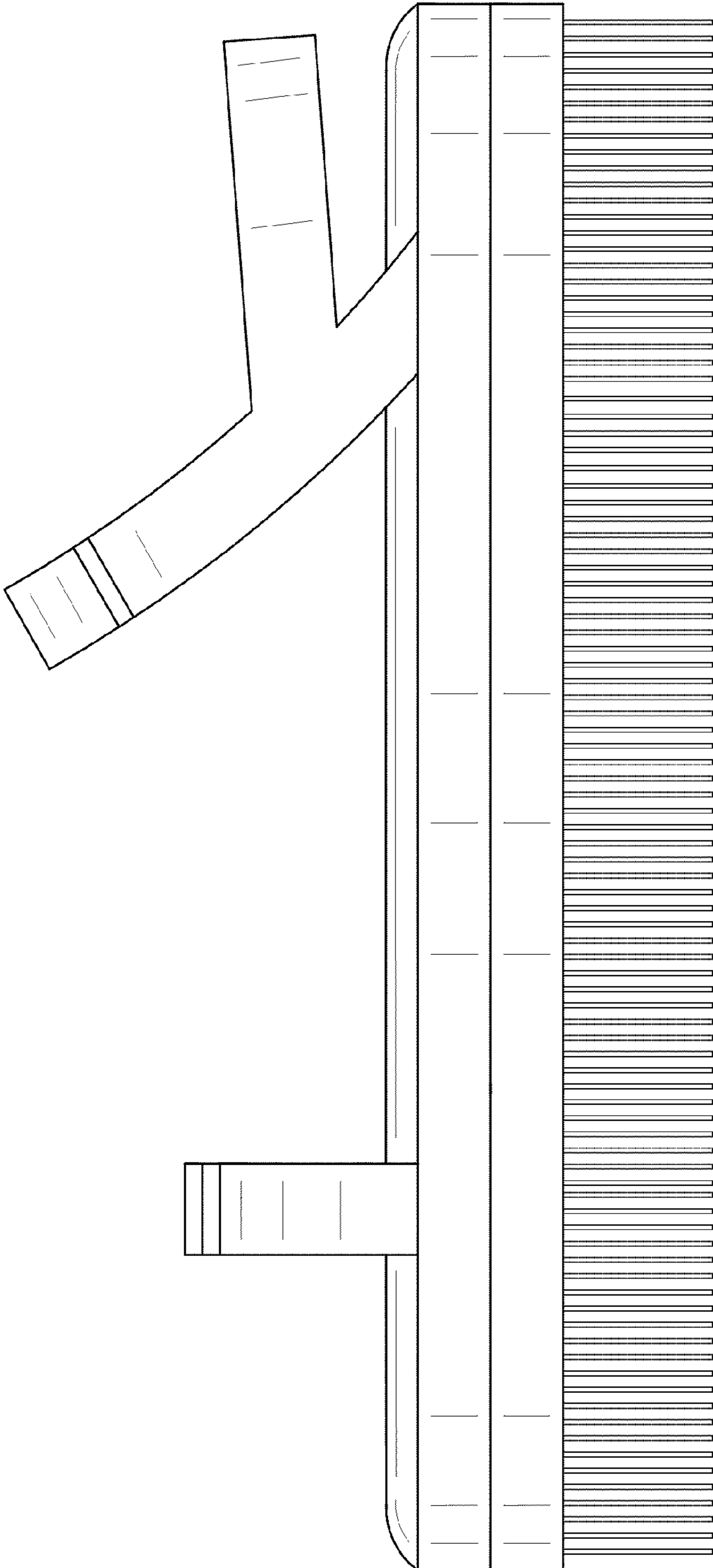


FIG. 1

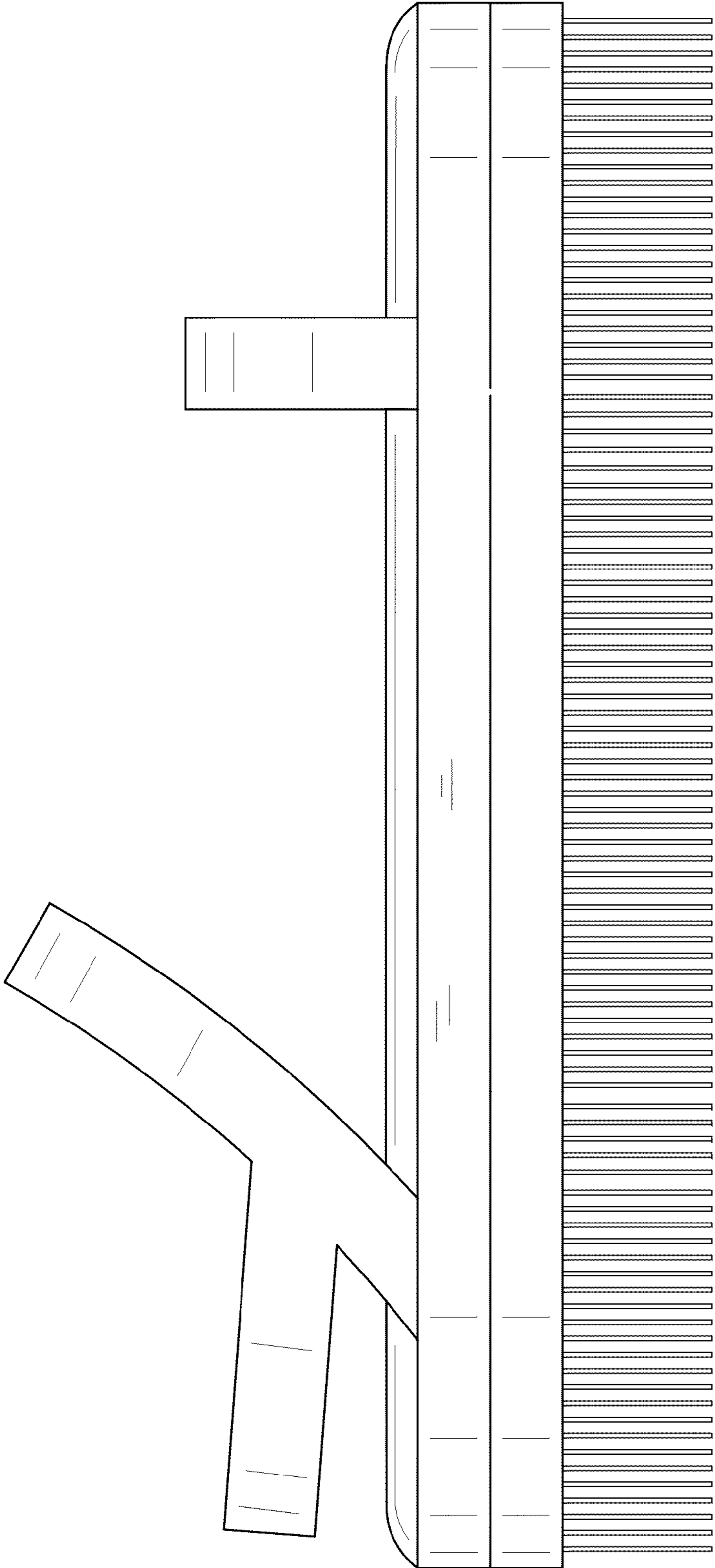


FIG. 2

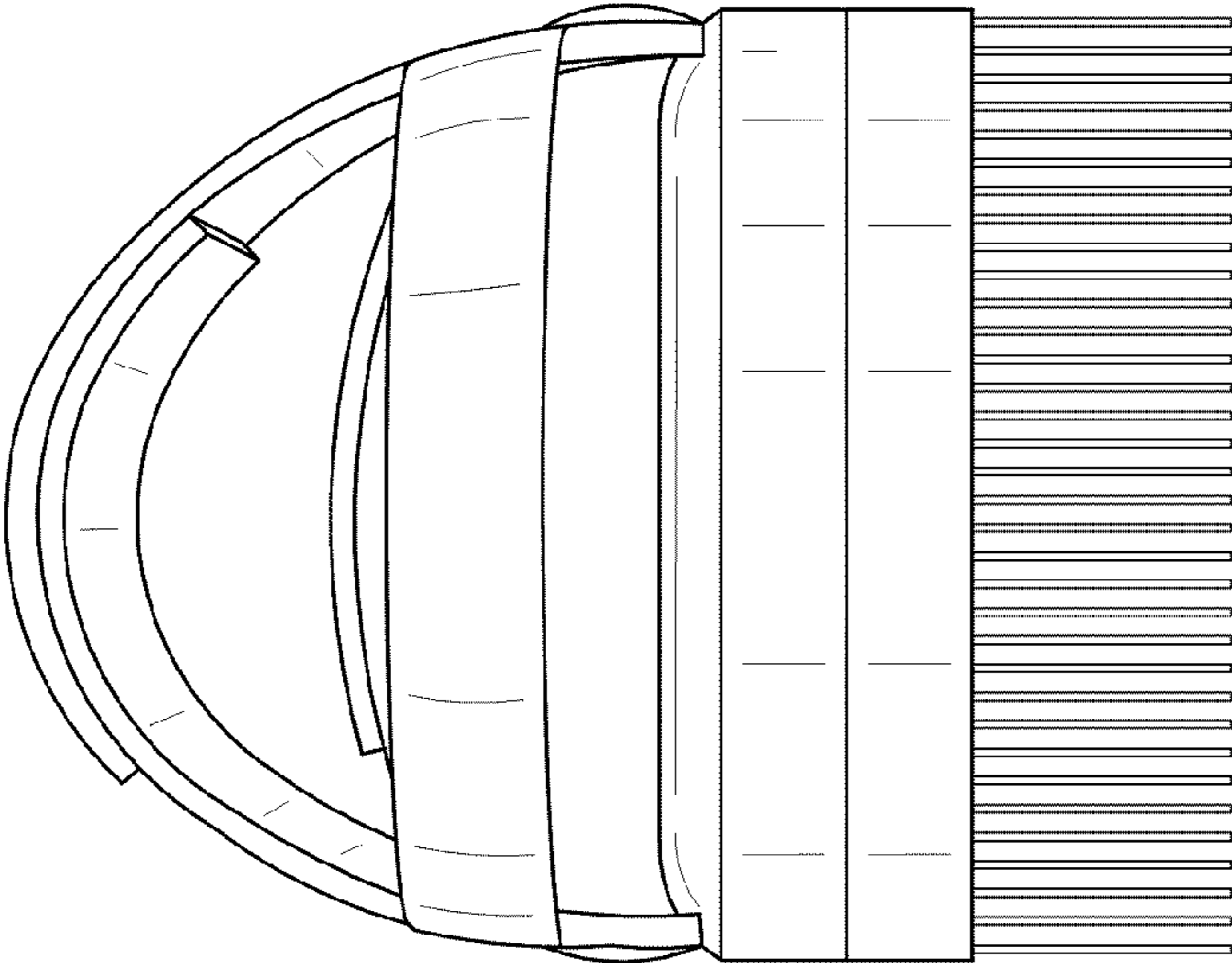


FIG. 3

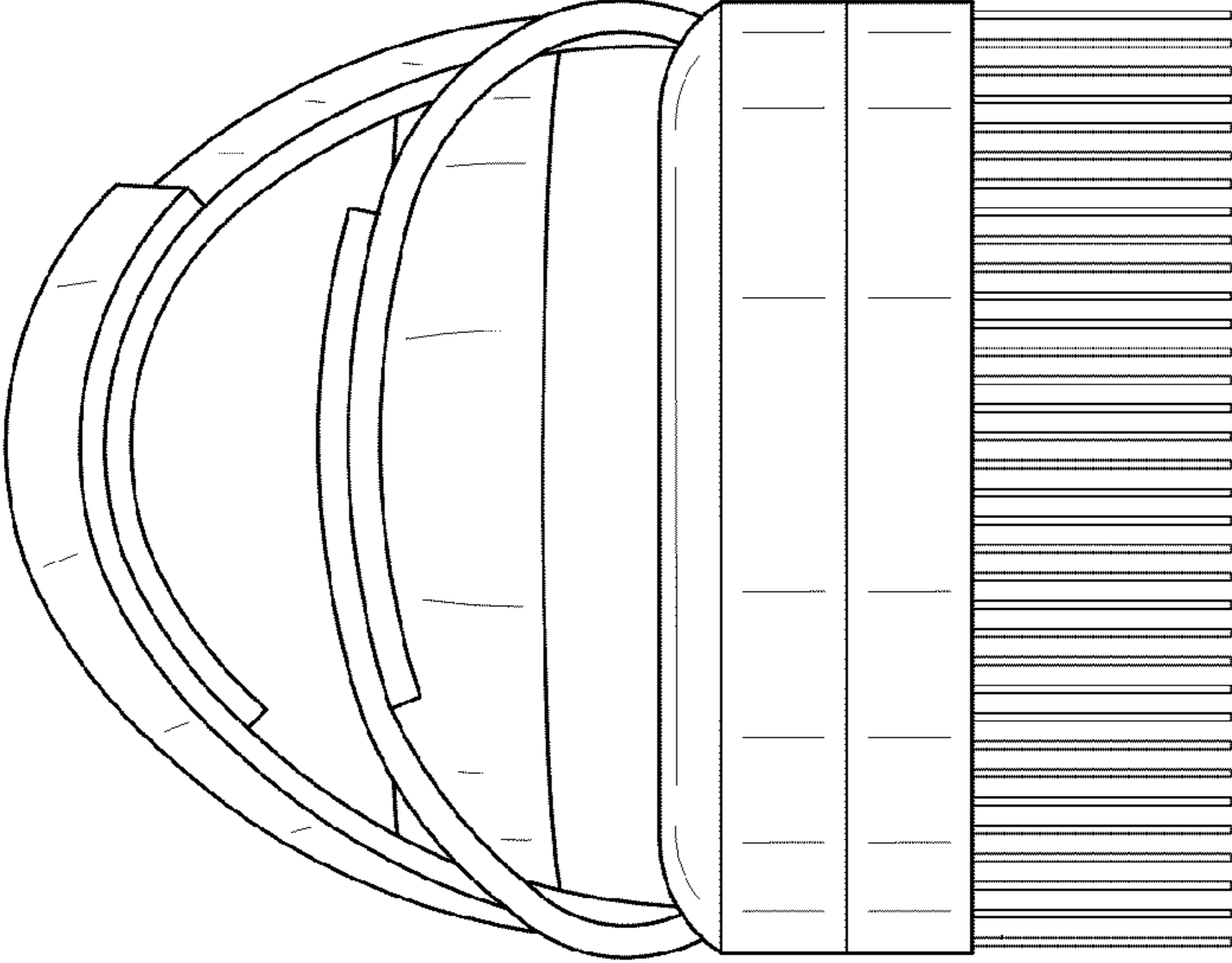


FIG. 4

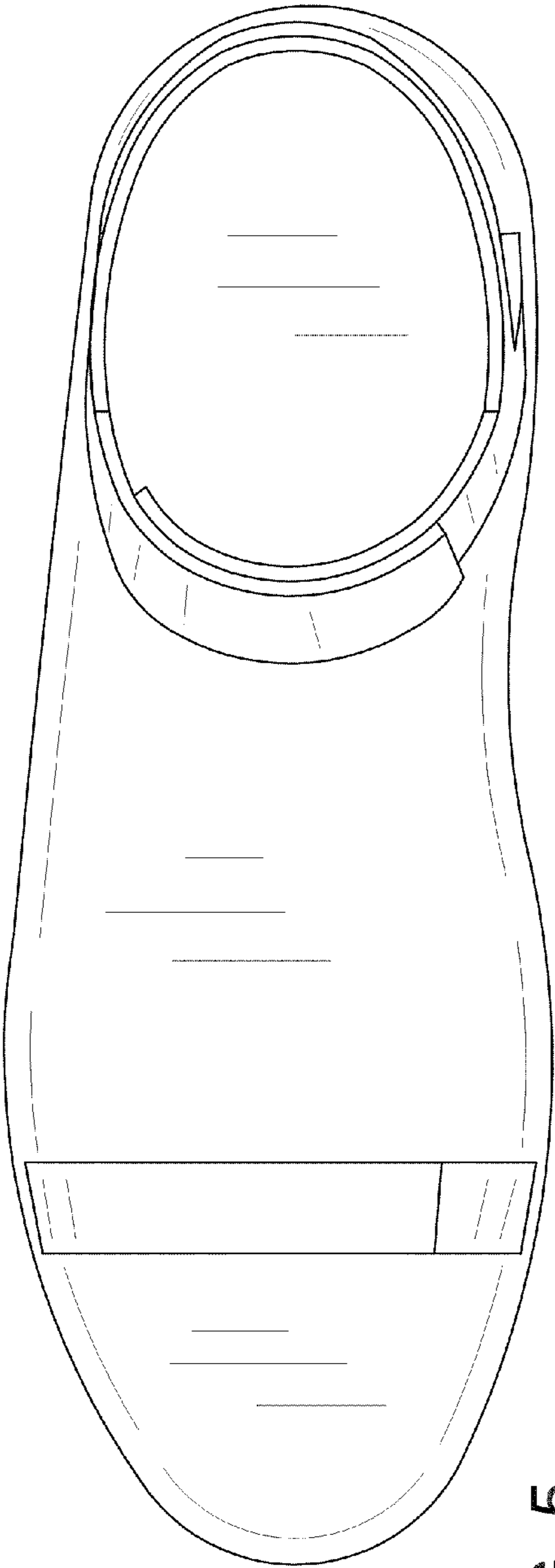


FIG. 5

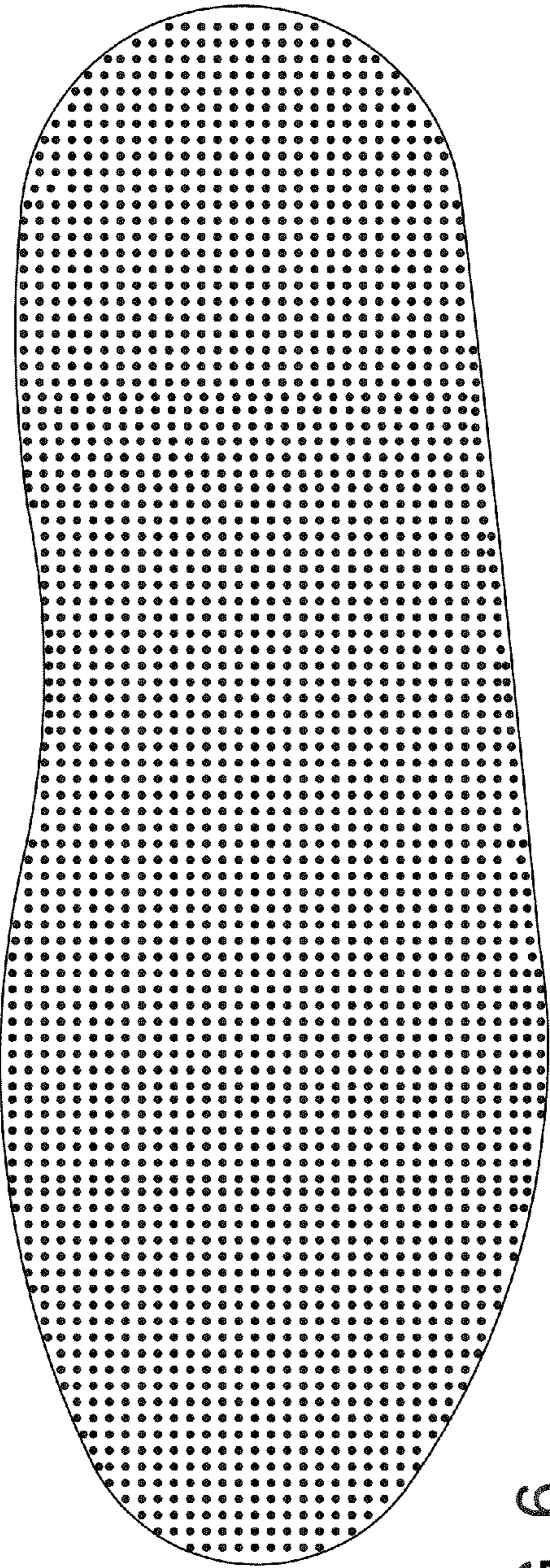


FIG. 6