



US00D653453S

(12) **United States Design Patent**
Pettorelli

(10) **Patent No.:** **US D653,453 S**

(45) **Date of Patent:** **** *Feb. 7, 2012**

(54) **BOTTLE TRAY**

(76) **Inventor:** **Morris Pettorelli, Schuettorf (DE)**

(*) **Notice:** This patent is subject to a terminal disclaimer.

(**) **Term:** **14 Years**

(21) **Appl. No.:** **29/337,558**

(22) **Filed:** **May 26, 2009**

(51) **LOC (9) Cl.** **03-01**

(52) **U.S. Cl.** **D3/311**

(58) **Field of Classification Search** D3/304-315,
D3/319; D7/357; D9/424, 425, 432, 456,
D9/457, 756, 755; 206/514, 515, 518, 519,
206/504, 499, 564, 427, 391, 356, 354, 203,
206/503, 516; 211/73, 59.4; 220/500, 1.5,
220/6, 7, 509, 516

See application file for complete search history.

(56) **References Cited**

U.S. PATENT DOCUMENTS

1,960,279	A *	5/1934	Read	217/21
1,967,026	A *	7/1934	Gray et al.	217/21
D149,519	S *	5/1948	Reynolds	D3/311
D152,906	S *	3/1949	Richards	D3/311
D208,168	S *	7/1967	Hirota	D3/311
D208,673	S *	9/1967	Adomat	D3/311
D216,634	S *	2/1970	Waller	D3/311
4,792,045	A *	12/1988	Creaden	206/419
D309,971	S *	8/1990	Quong	D3/311

D390,458	S *	2/1998	Kristoffersson	D9/755
7,237,675	B2 *	7/2007	O'Malley	206/433
D594,660	S *	6/2009	Lindstrom	D3/304
D600,016	S *	9/2009	Tiilikainen	D3/304
D600,021	S *	9/2009	Lindstrom	D3/313

* cited by examiner

Primary Examiner — Stella M Reid

Assistant Examiner — Rashida C McCoy

(74) *Attorney, Agent, or Firm* — C. John Brannon; Brannon & Sowers PC

(57) **CLAIM**

The ornamental design for a bottle tray, as shown and described.

DESCRIPTION

FIG. 1 is a first top perspective view of a bottle tray showing my new design.

FIG. 2 is a side elevation view thereof; as seen from the right side, the opposed view being a mirror image thereof.

FIG. 3 is a front elevation view thereof, the opposed view being a mirror image thereof.

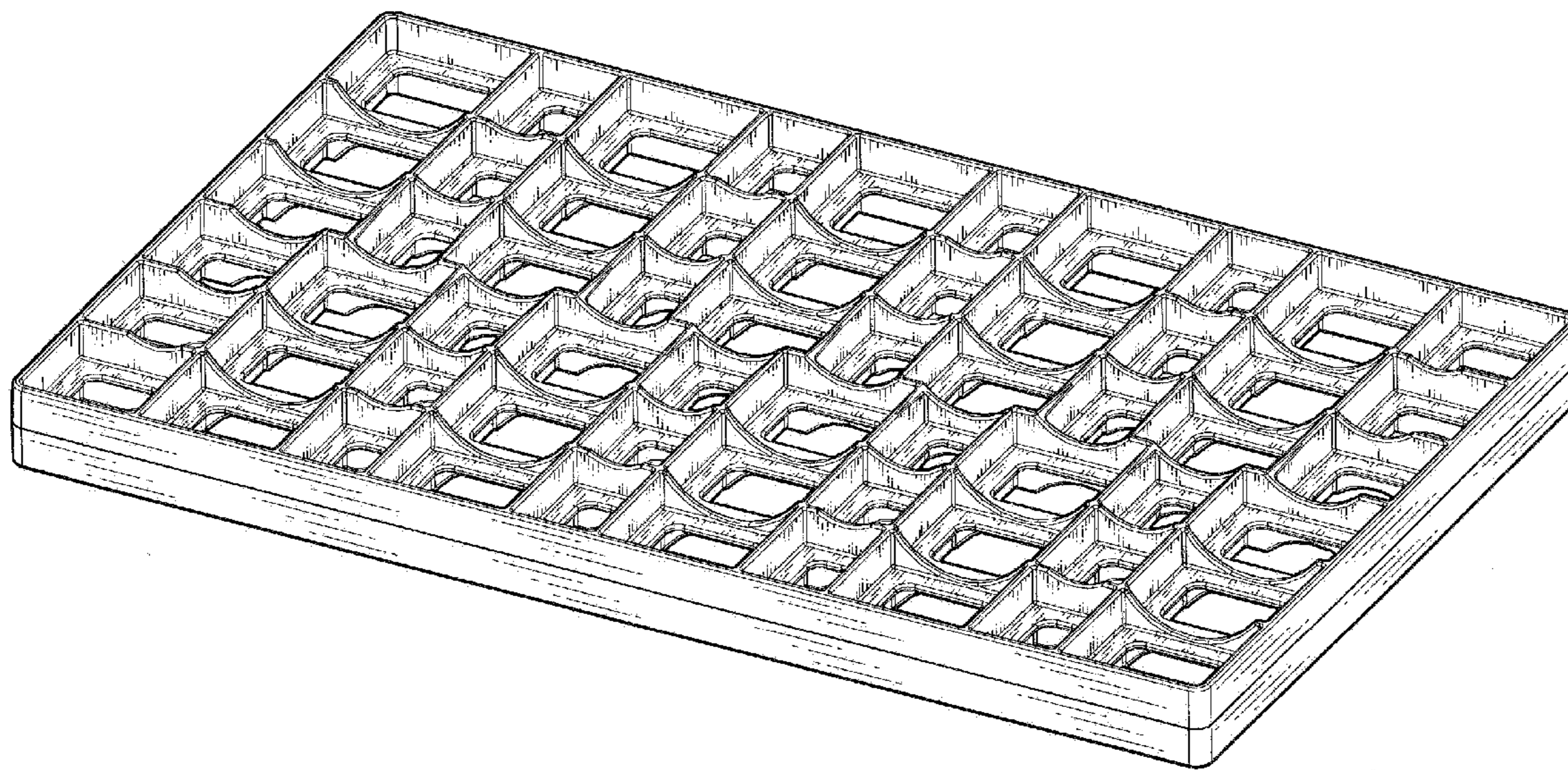
FIG. 4 is a top plan view thereof.

FIG. 5 is a second top perspective view of a bottle tray shown in FIG. 1, as holding a first plurality of bottles.

FIG. 6 is a third top perspective view of a bottle tray shown in FIG. 1, as holding a first plurality of bottles with a second stacked bottle tray, and a second plurality of bottles; and,

FIG. 7 is a bottom plan view of a bottle tray shown in FIG. 1. The broken lines of the bottles and bottom tray illustrate environmental structure and form no part of the claimed design.

1 Claim, 6 Drawing Sheets



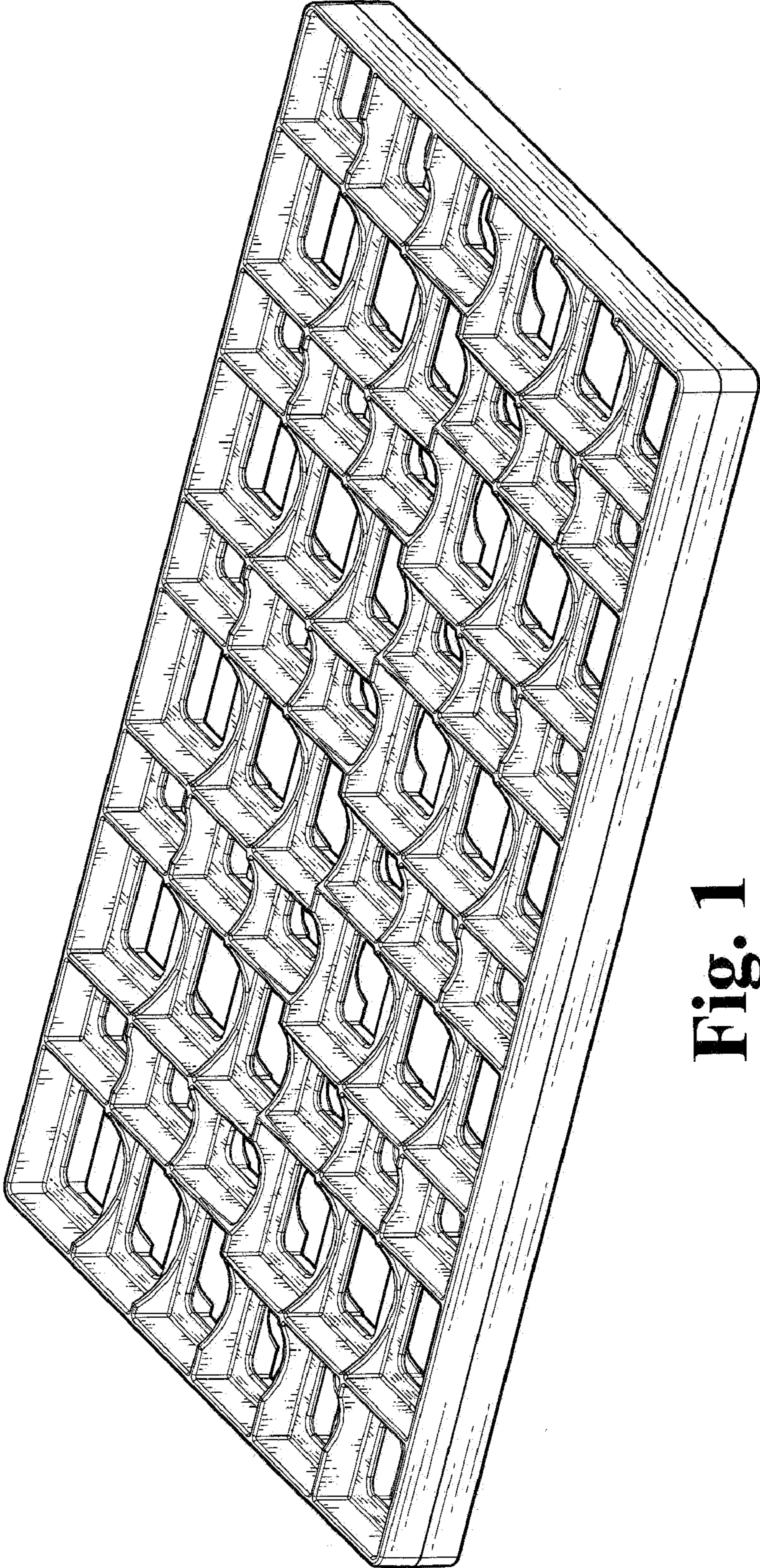


Fig. 1

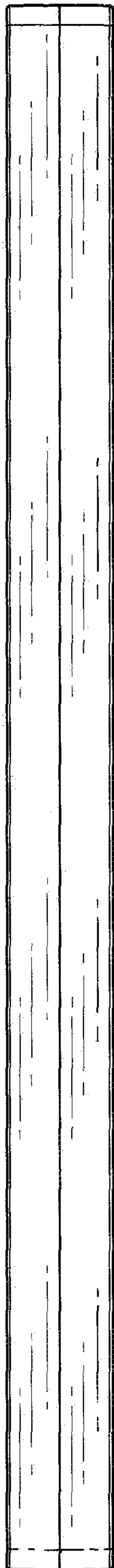


Fig. 2

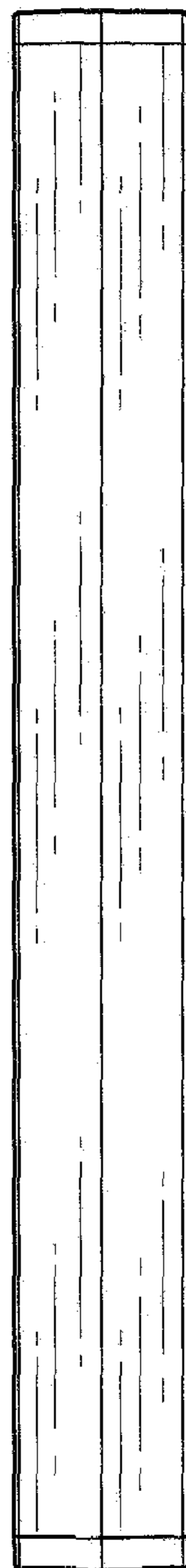


Fig. 3

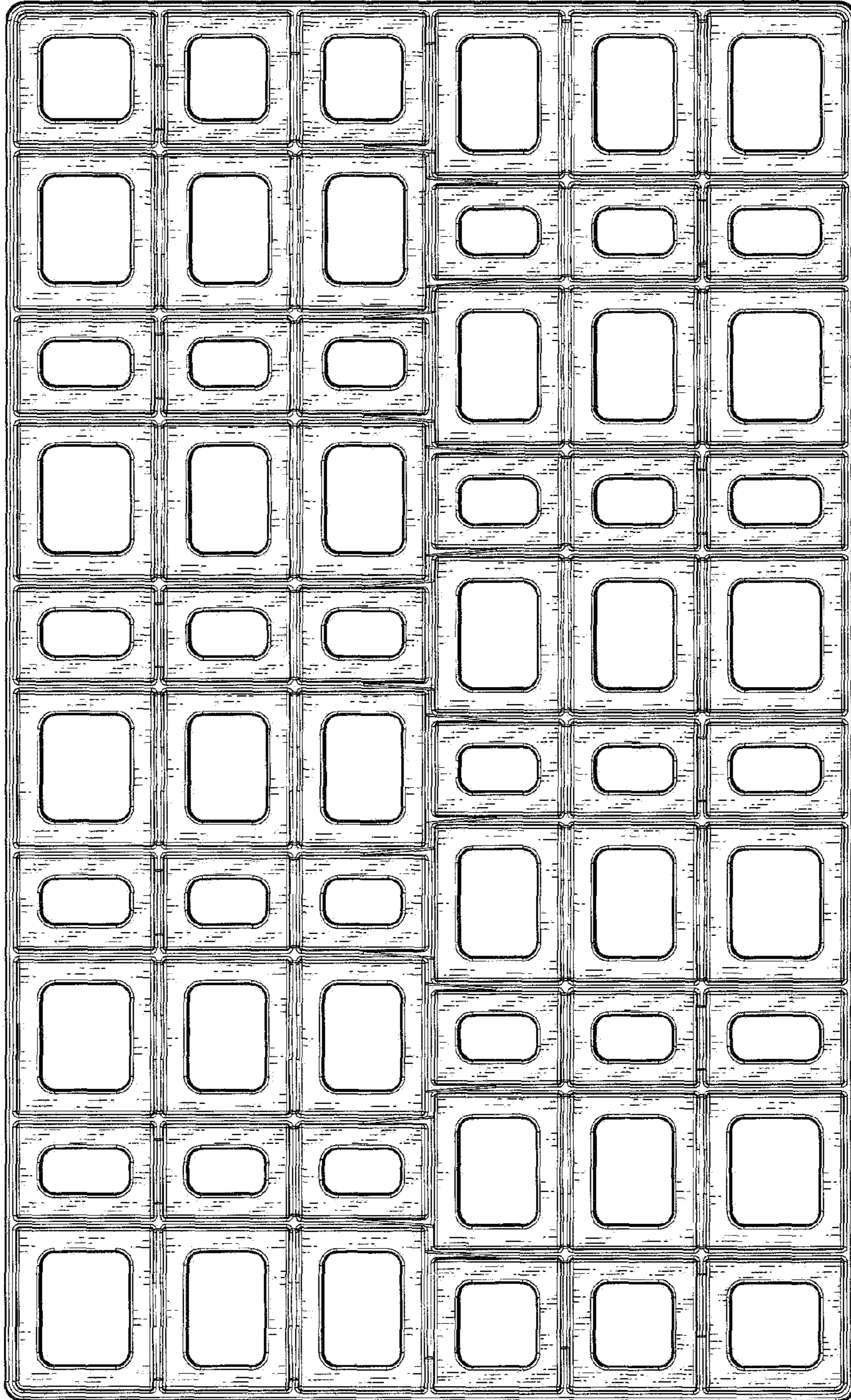


Fig. 4

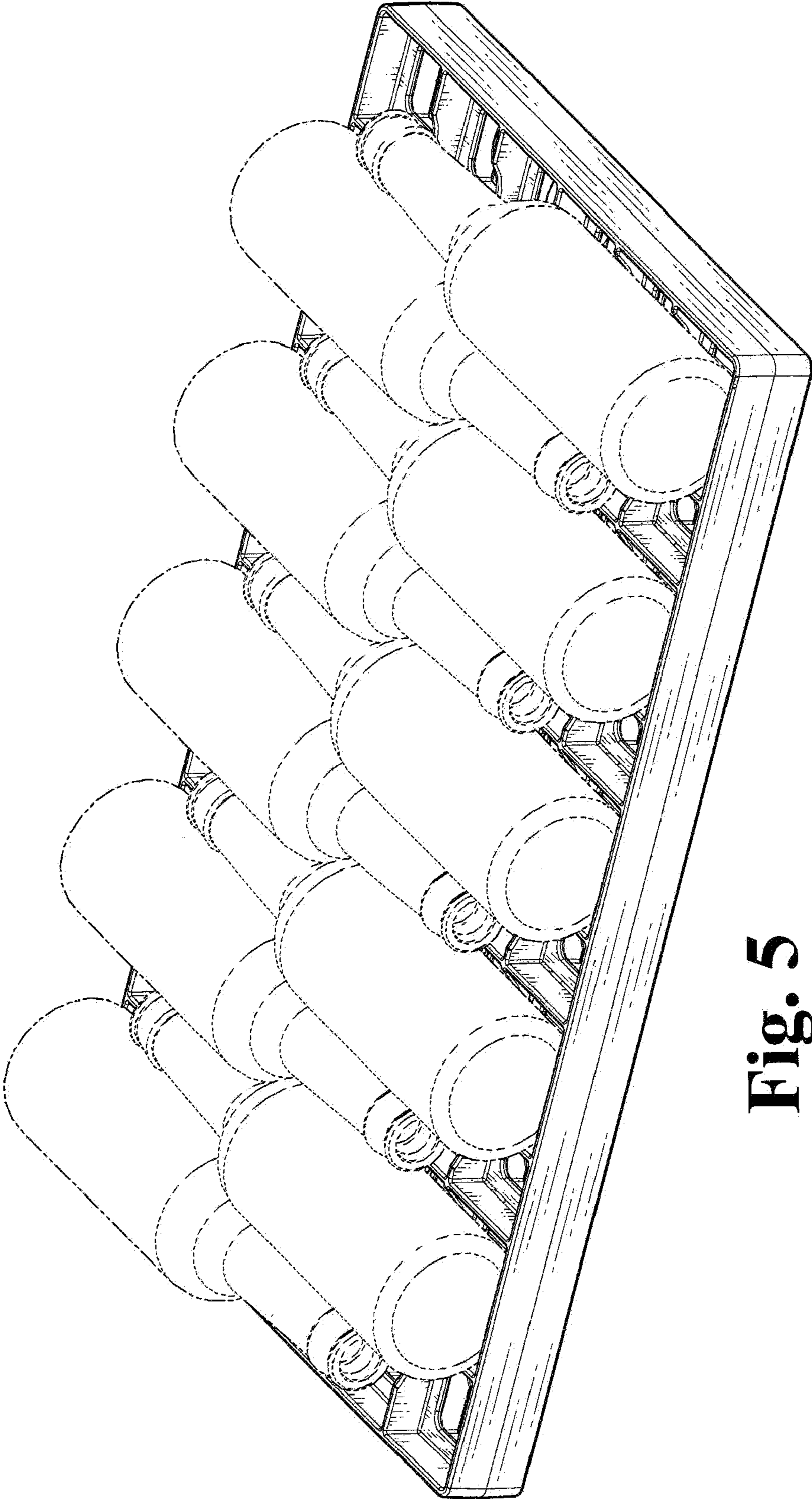


Fig. 5

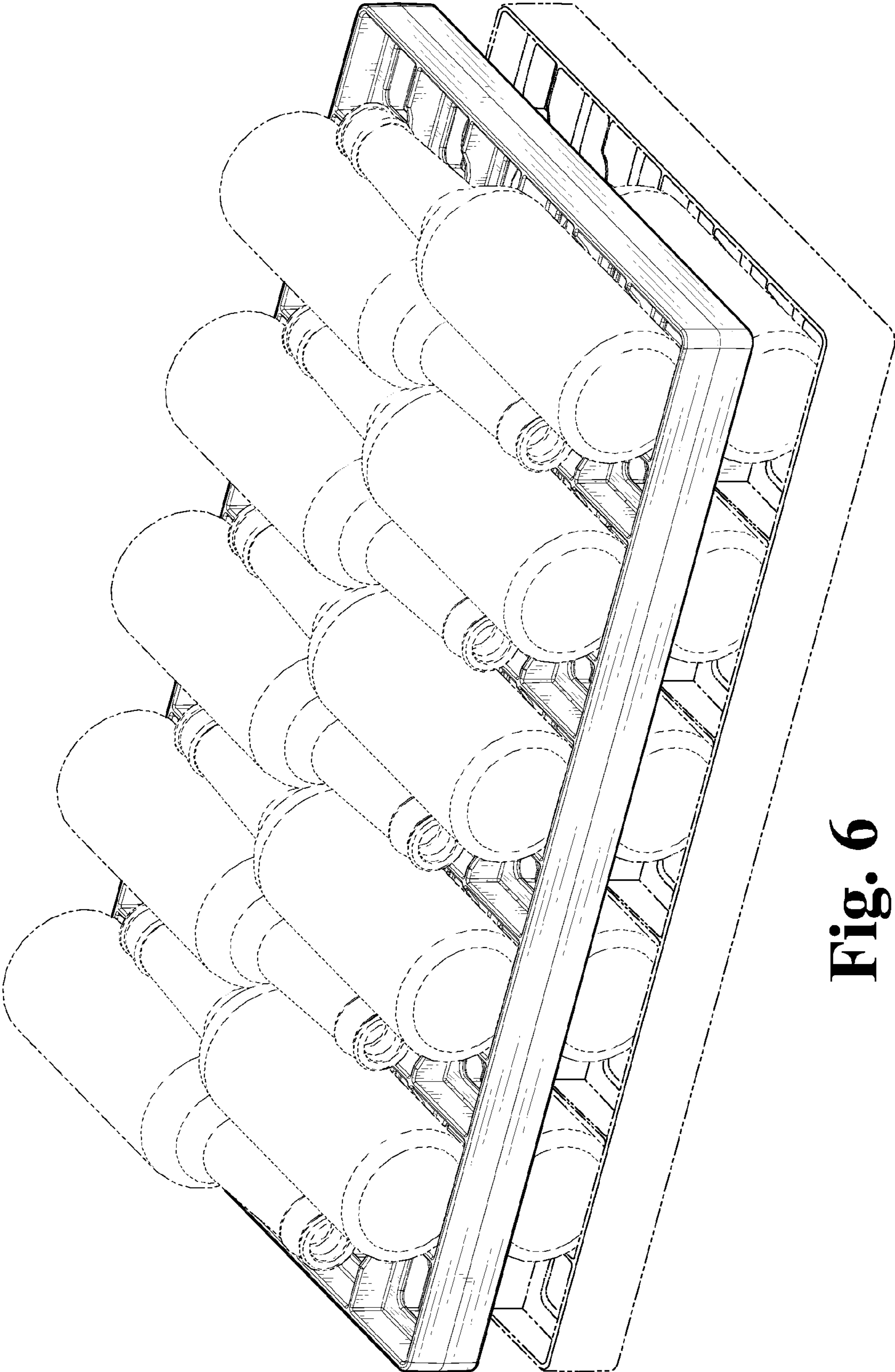


Fig. 6

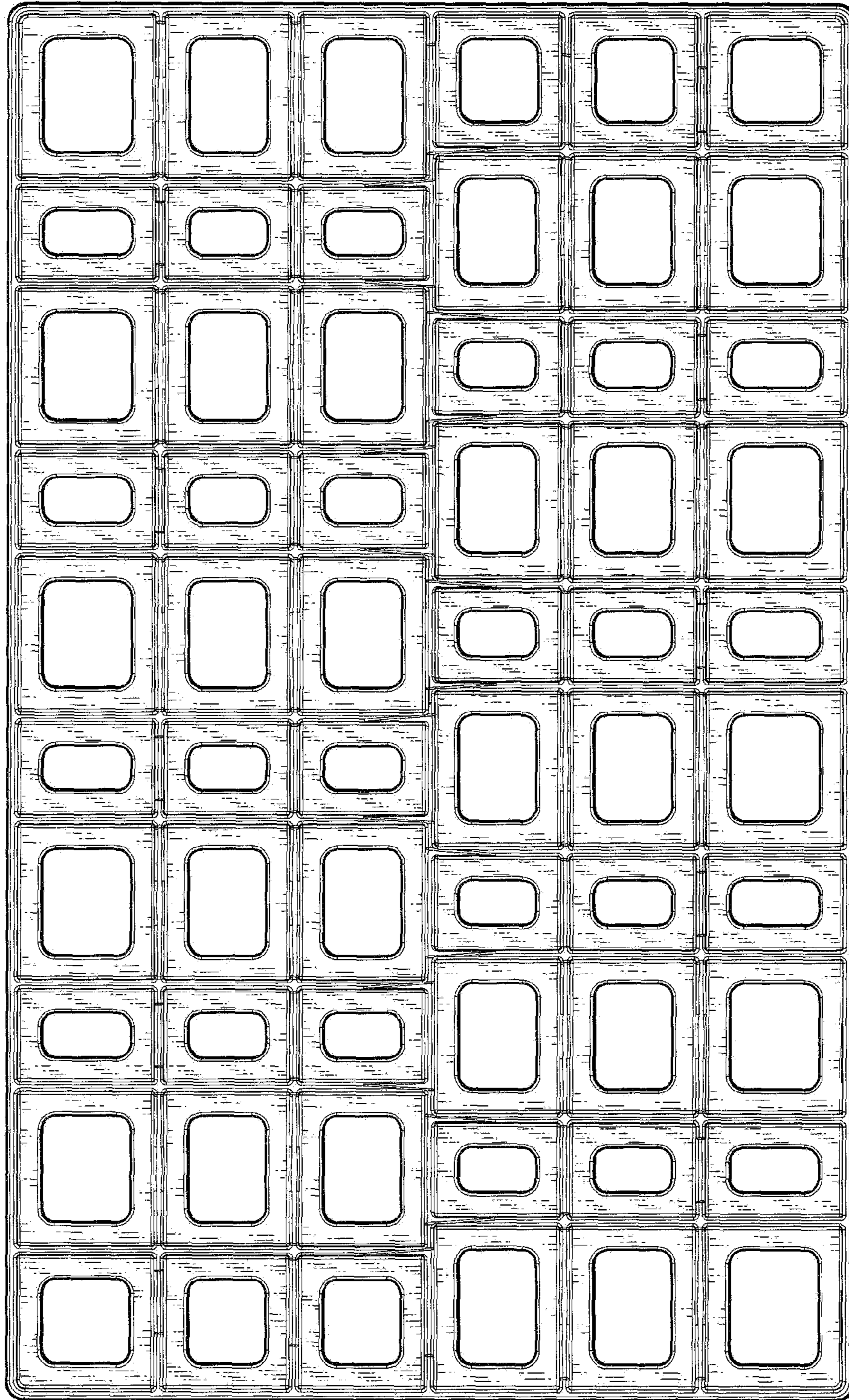


Fig. 7