



US00D653450S

(12) **United States Design Patent**  
**Walter**

(10) **Patent No.:** **US D653,450 S**  
(45) **Date of Patent:** **\*\* Feb. 7, 2012**

(54) **CONTAINER WITH LID**

(75) Inventor: **Ivor Michel Walter**, Boulder, CO (US)

(73) Assignee: **AMSA, Inc.**, Boulder, CO (US)

(\*\*) Term: **14 Years**

(21) Appl. No.: **29/396,310**

(22) Filed: **Jun. 28, 2011**

(51) **LOC (9) Cl.** ..... **03-01**

(52) **U.S. Cl.** ..... **D3/302**

(58) **Field of Classification Search** ..... D3/273,  
D3/300, 302, 905, 293, 276, 272; 206/508,  
206/515, 518; 220/523, 527, 524, 780, 784,  
220/796, 4.27

See application file for complete search history.

(56) **References Cited**

**U.S. PATENT DOCUMENTS**

3,429,403	A	2/1969	Drechsler	
D400,354	S	* 11/1998	Burrows	D3/307
D480,872	S	* 10/2003	Welsh et al.	D3/302
D511,247	S	* 11/2005	Tsuchiya	D3/273
D511,624	S	* 11/2005	Rosine et al.	D3/273
D513,870	S	* 1/2006	Rosine et al.	D3/273
7,392,992	B2	7/2008	Stone et al.	
7,464,831	B2	* 12/2008	Aiken	206/515
D622,507	S	8/2010	Walter	
D643,628	S	* 8/2011	Monarch	D3/302
D645,248	S	* 9/2011	Osiecki et al.	D3/276
D648,535	S	* 11/2011	Reinhart et al.	D3/302

\* cited by examiner

*Primary Examiner* — Jennifer Rivard

(74) *Attorney, Agent, or Firm* — Margaret Polson Oppedahl  
Patent Law Firm LLC

(57) **CLAIM**

The ornamental design for a container with lid, as shown and described.

**DESCRIPTION**

FIG. 1 is a front perspective view of my new design for a container with lid.

FIG. 2 is a side elevation view of the front and back sides, which are identical, of FIG. 1.

FIG. 3 is a side elevation view of the right and left sides, which are identical, of FIG. 1.

FIG. 4 is a top plan view of FIG. 1.

FIG. 5 is a bottom plan view of FIG. 1.

FIG. 6 is a front perspective view of a container with lid, with the handles shown in dotted lines which are for illustrative purposes only and do not form part of the claimed design.

FIG. 7 is a side elevation view of the front and back sides, which are identical, of FIG. 6.

FIG. 8 is a side elevation view of the right and left sides, which are identical, of FIG. 6.

FIG. 9 is a top plan view of FIG. 6.

FIG. 10 is a bottom plan view of FIG. 6.

FIG. 11 is a front perspective view of the container with lid on.

FIG. 12 is a side elevation view of the right and left sides, which are identical, of FIG. 11.

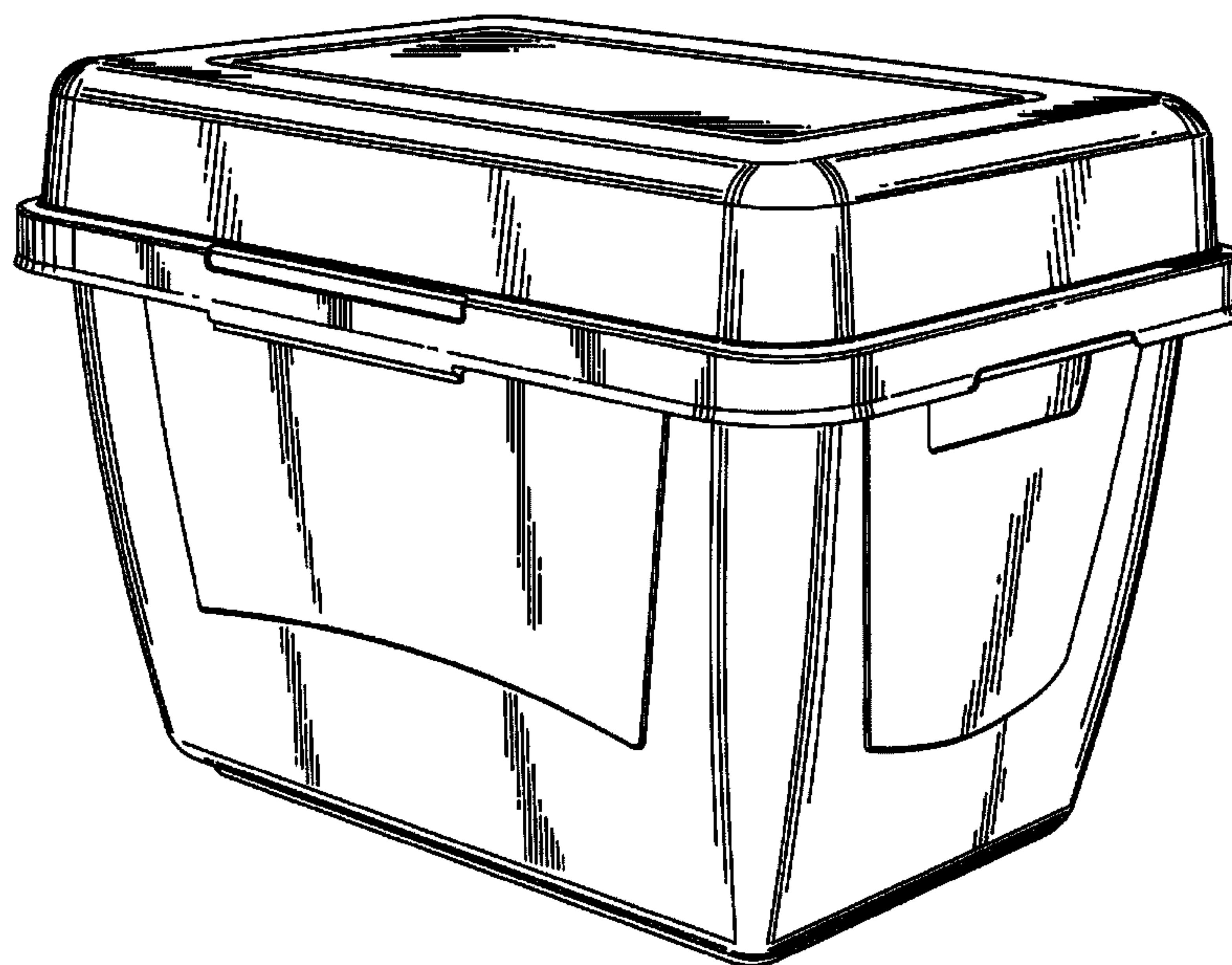
FIG. 13 is a side elevation view of the front and back sides, which are identical, of FIG. 11.

FIG. 14 is a top plan view of FIG. 11; and,

FIG. 15 is a bottom plan view of FIG. 12 with the handles shown in dotted lines which are for illustrative purposes only and do not form part of the claimed design.

The container with lid are disclosed separately for convenience of illustration.

**1 Claim, 14 Drawing Sheets**



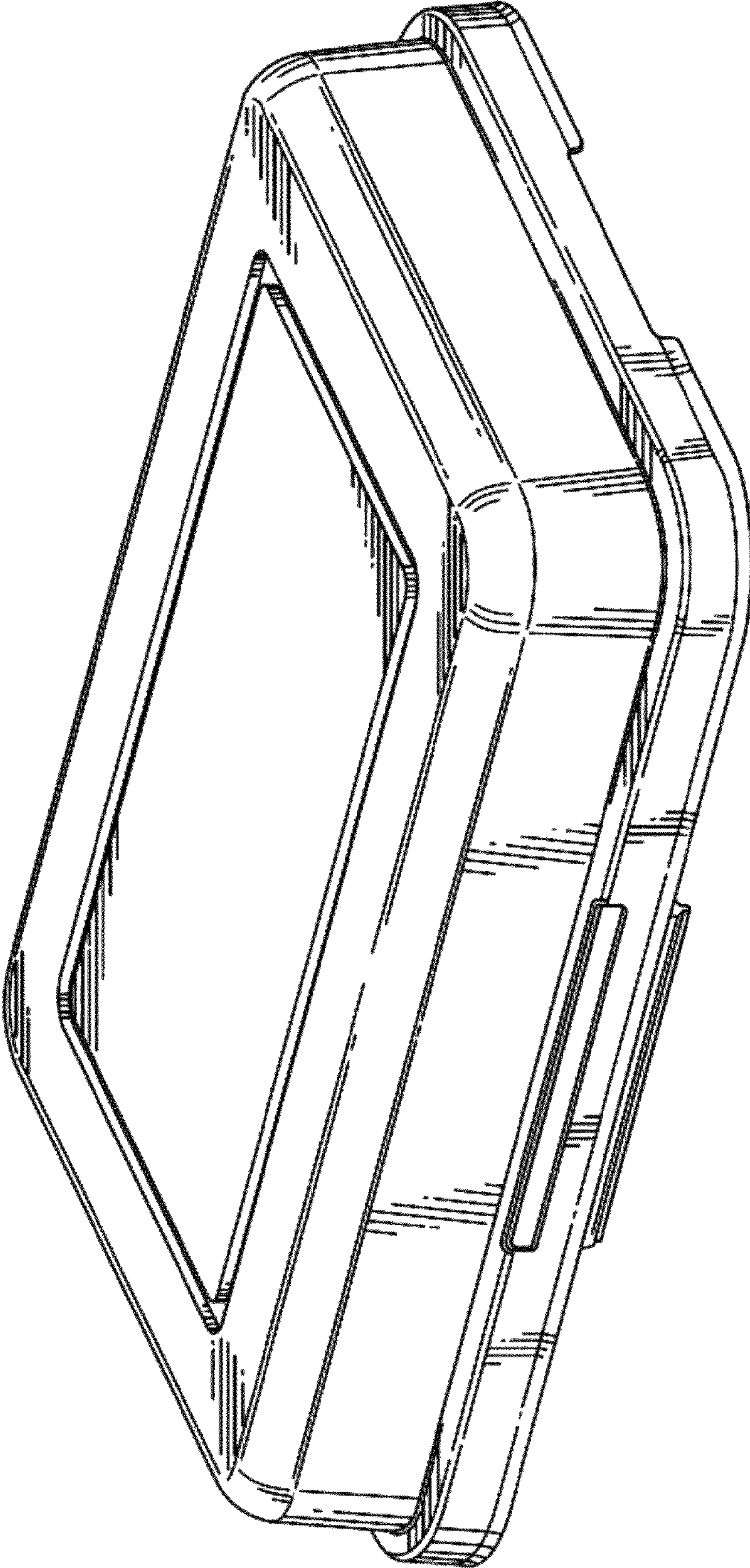


FIG.1



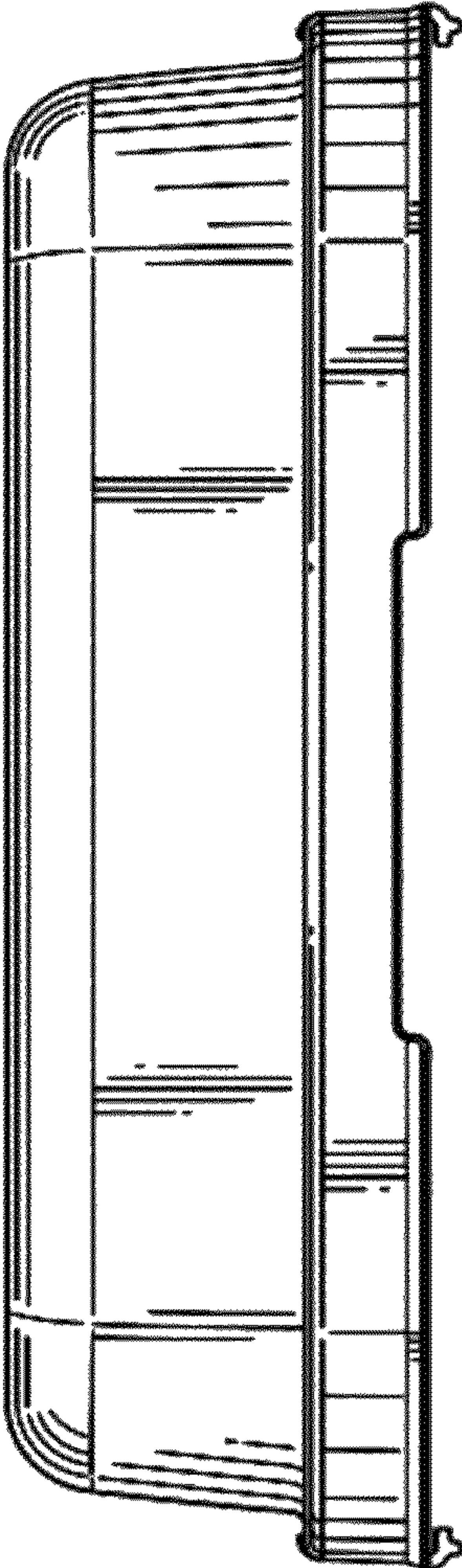


FIG. 2

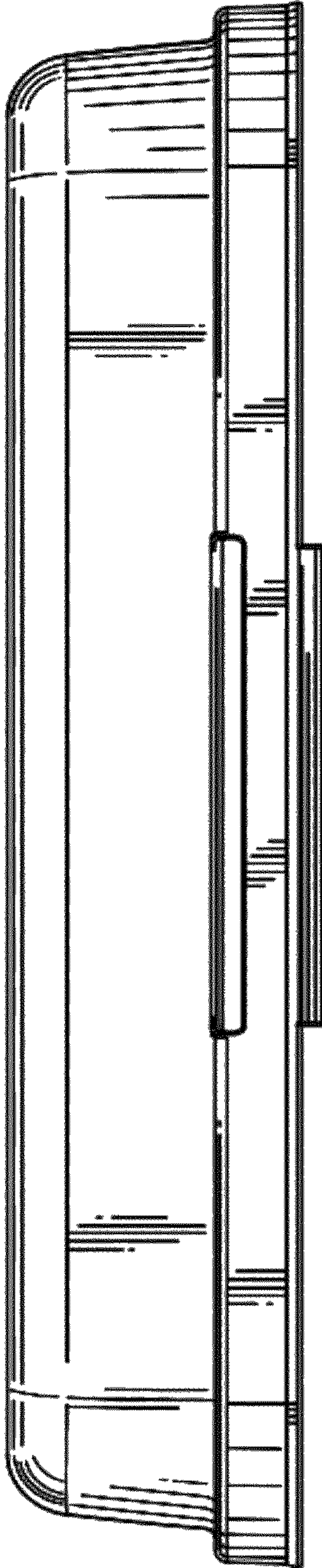


FIG. 3



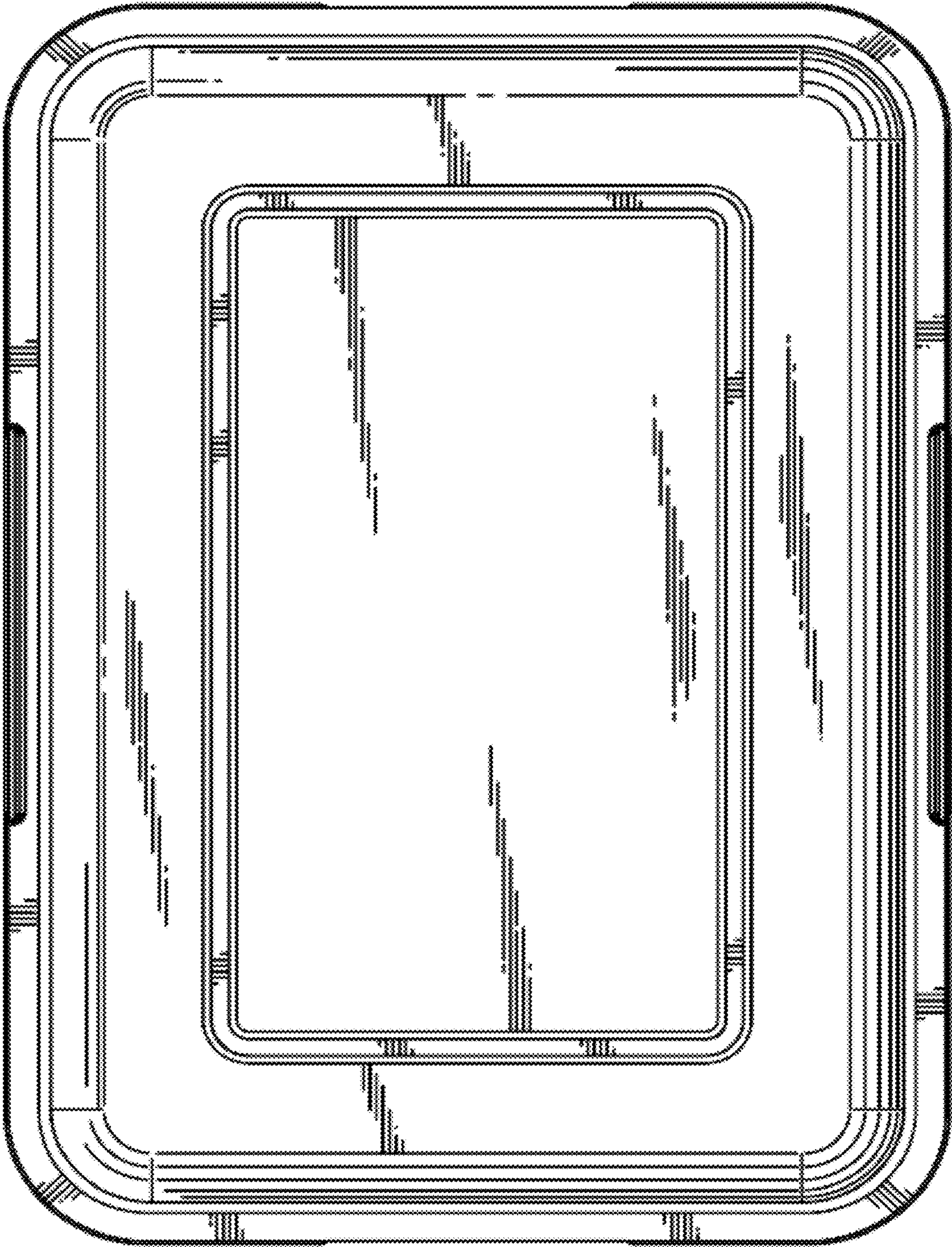


FIG.4



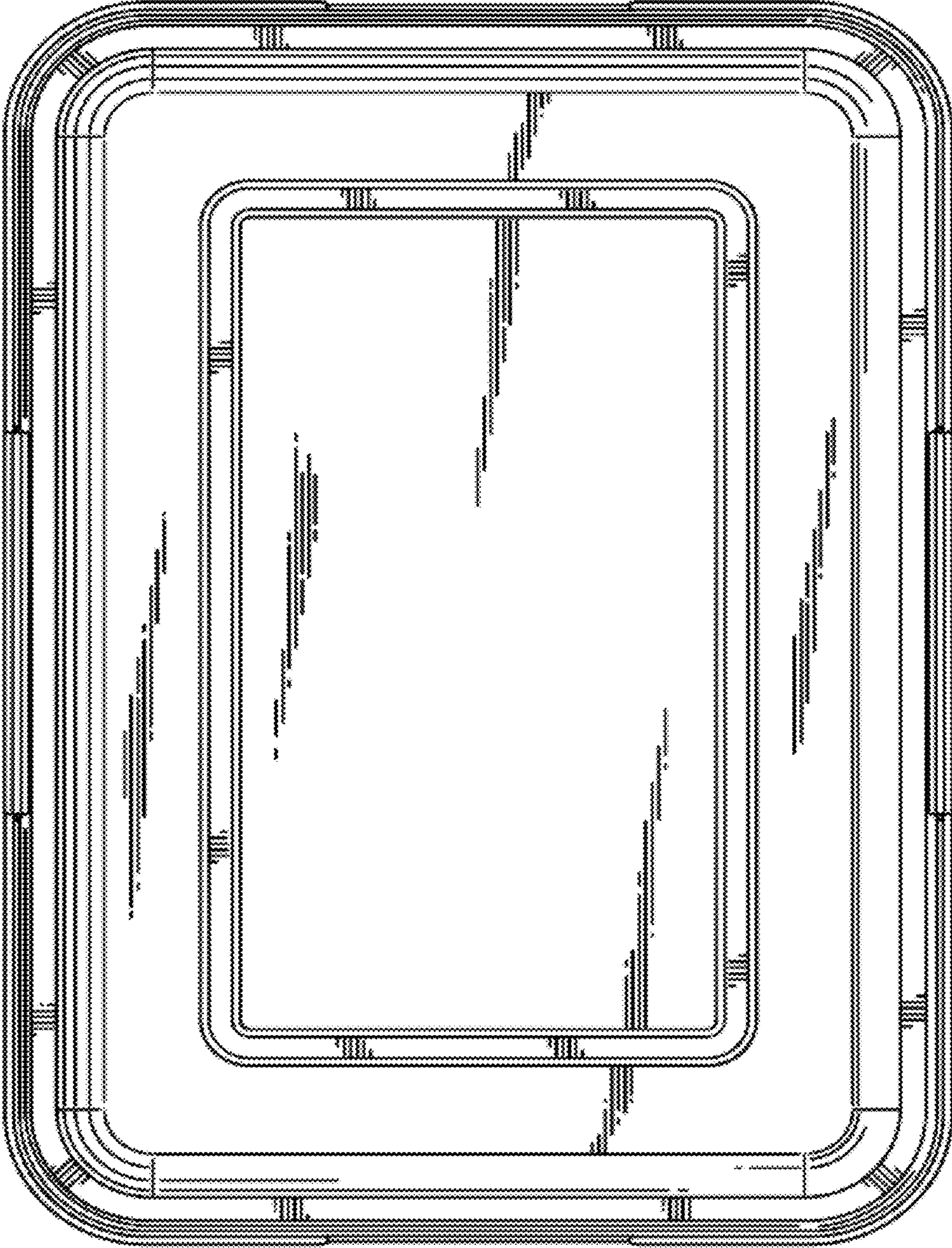


FIG.5



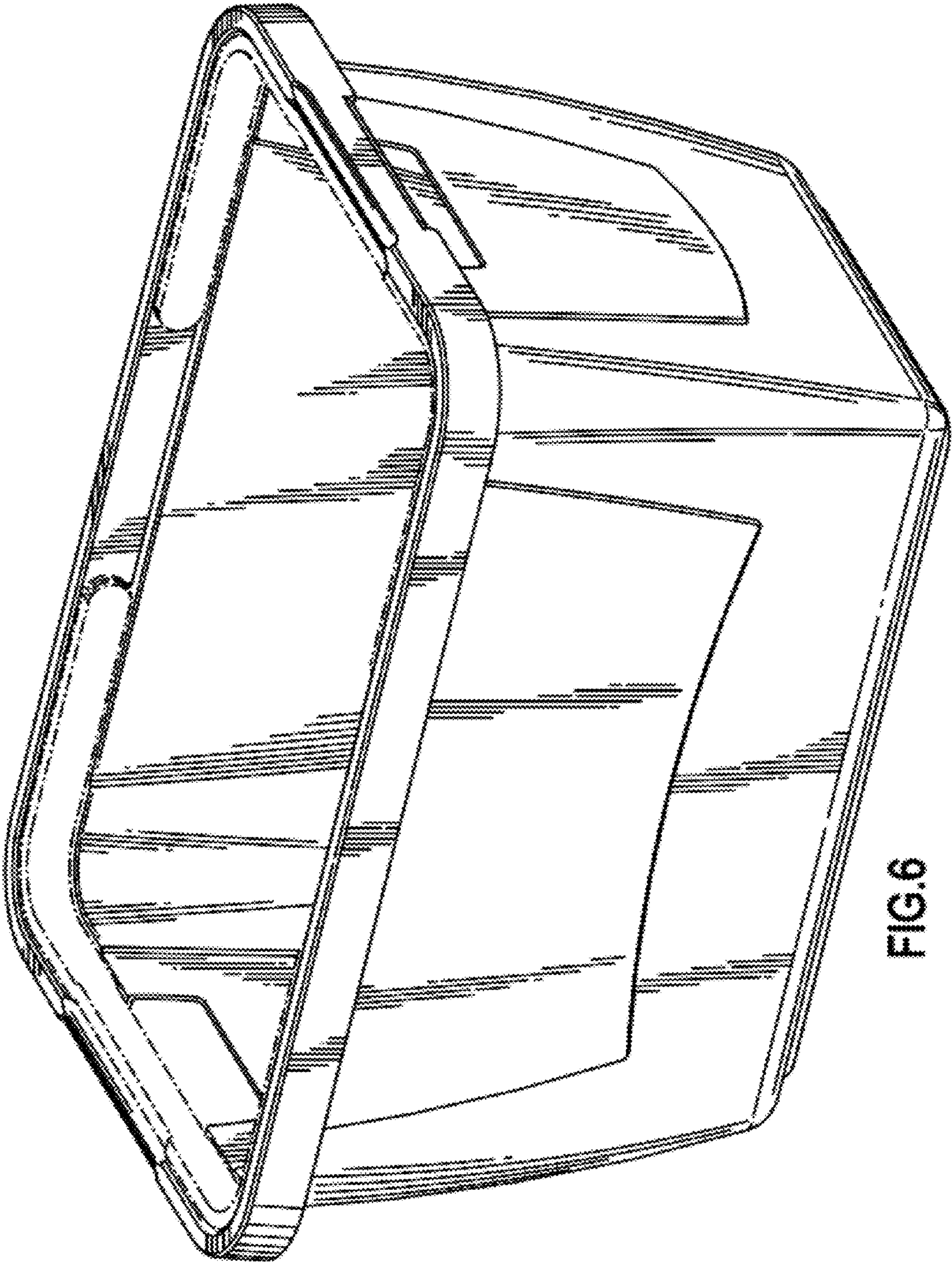


FIG.6

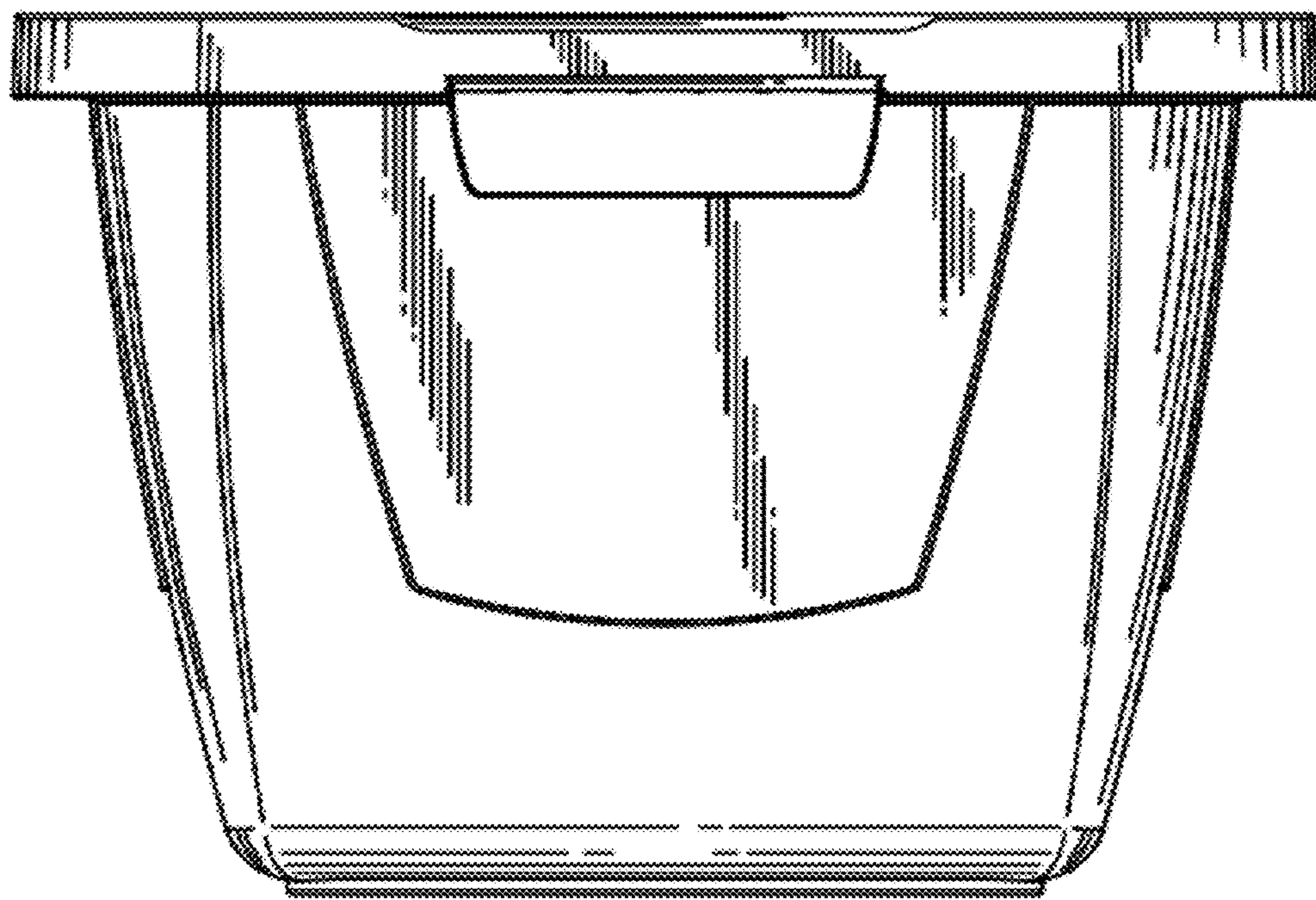


FIG.7



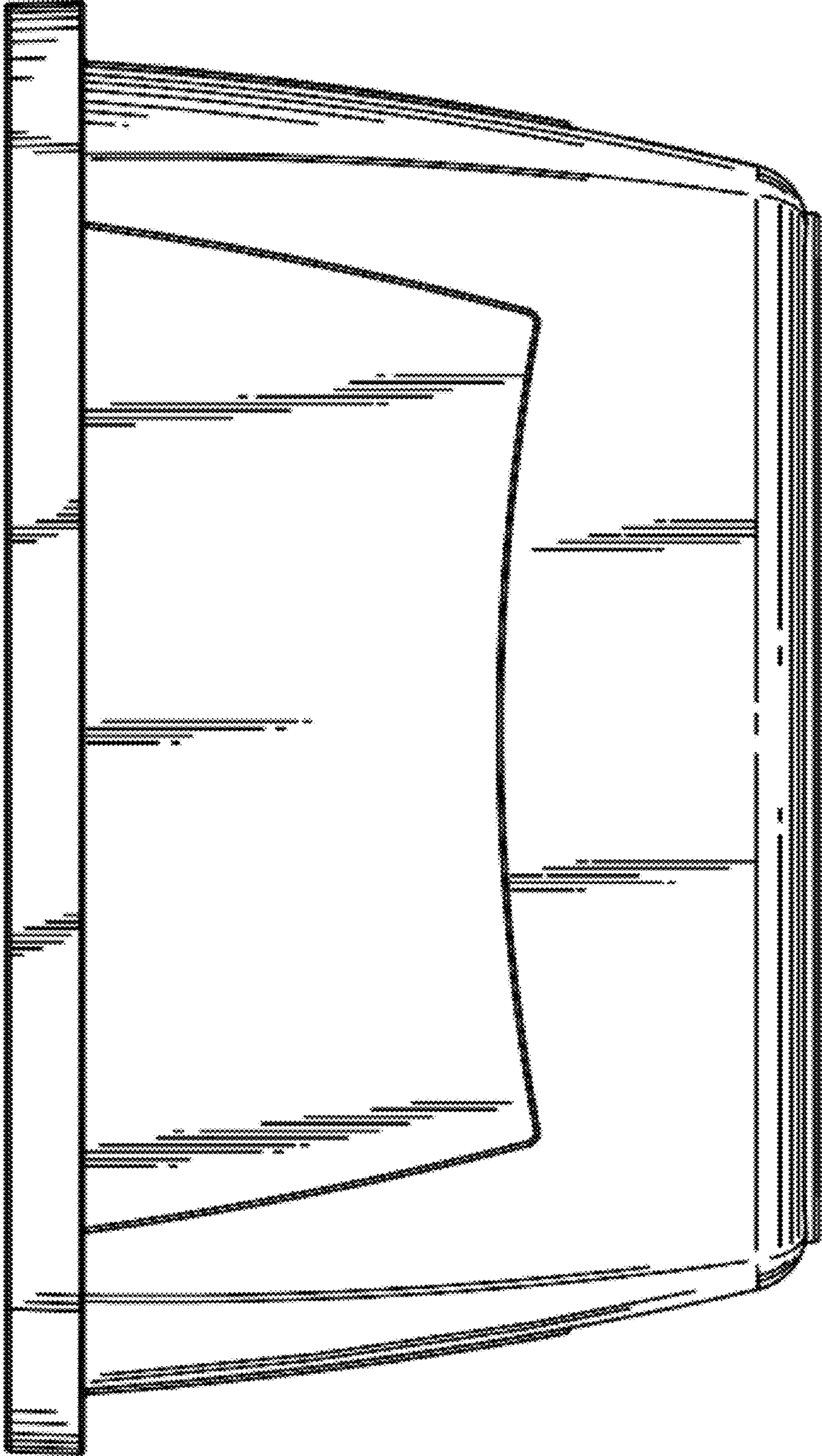


FIG.8



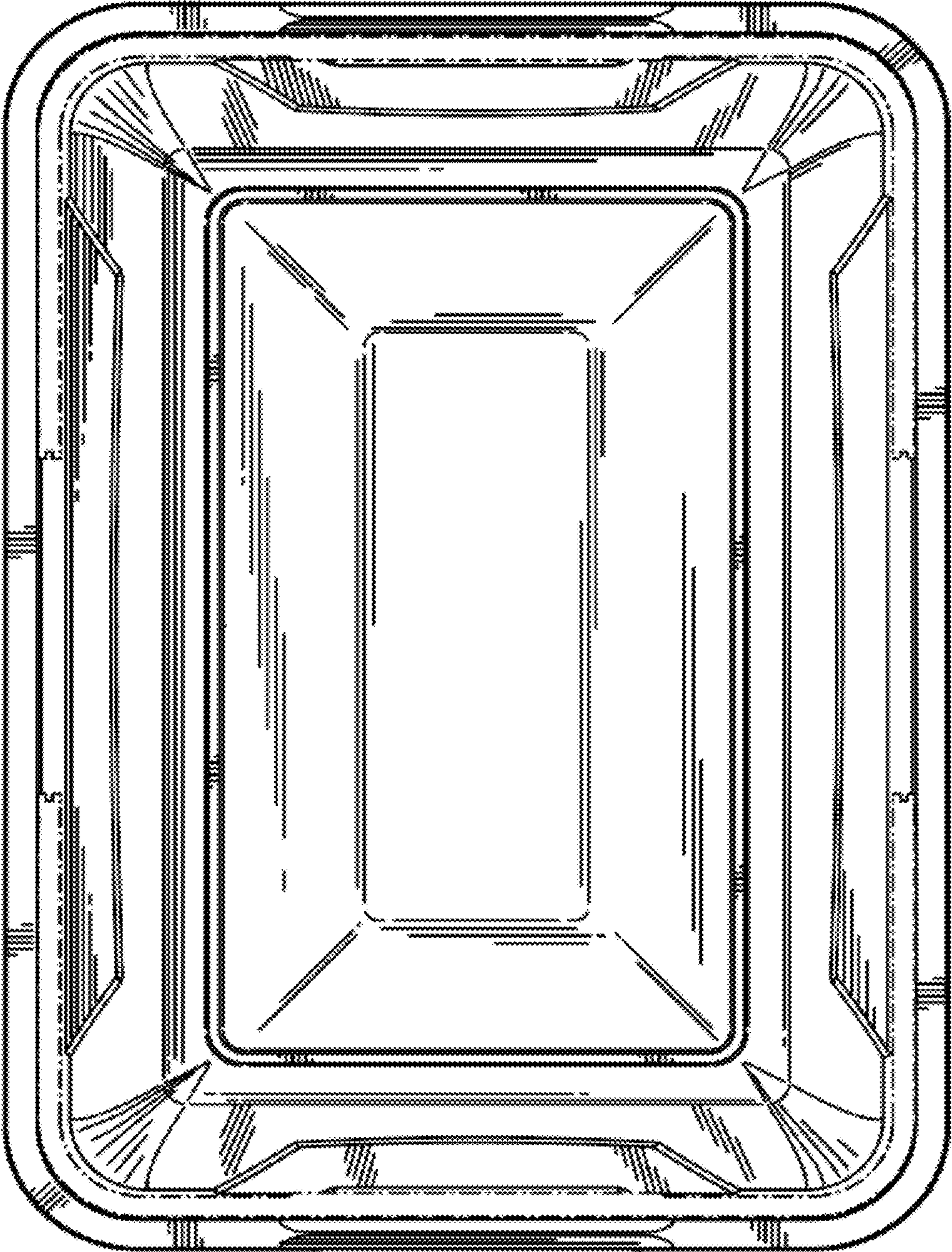


FIG.9



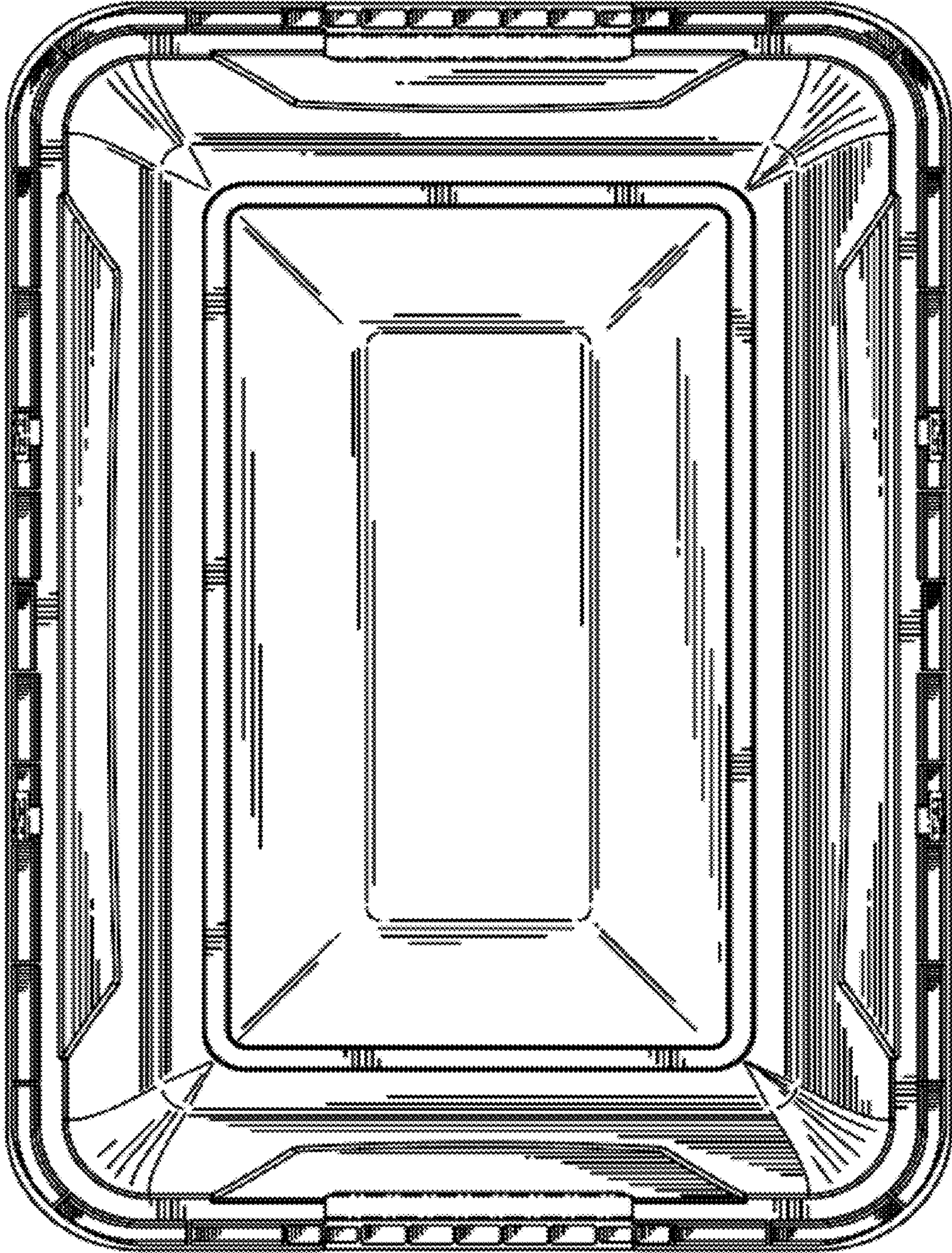


FIG.10



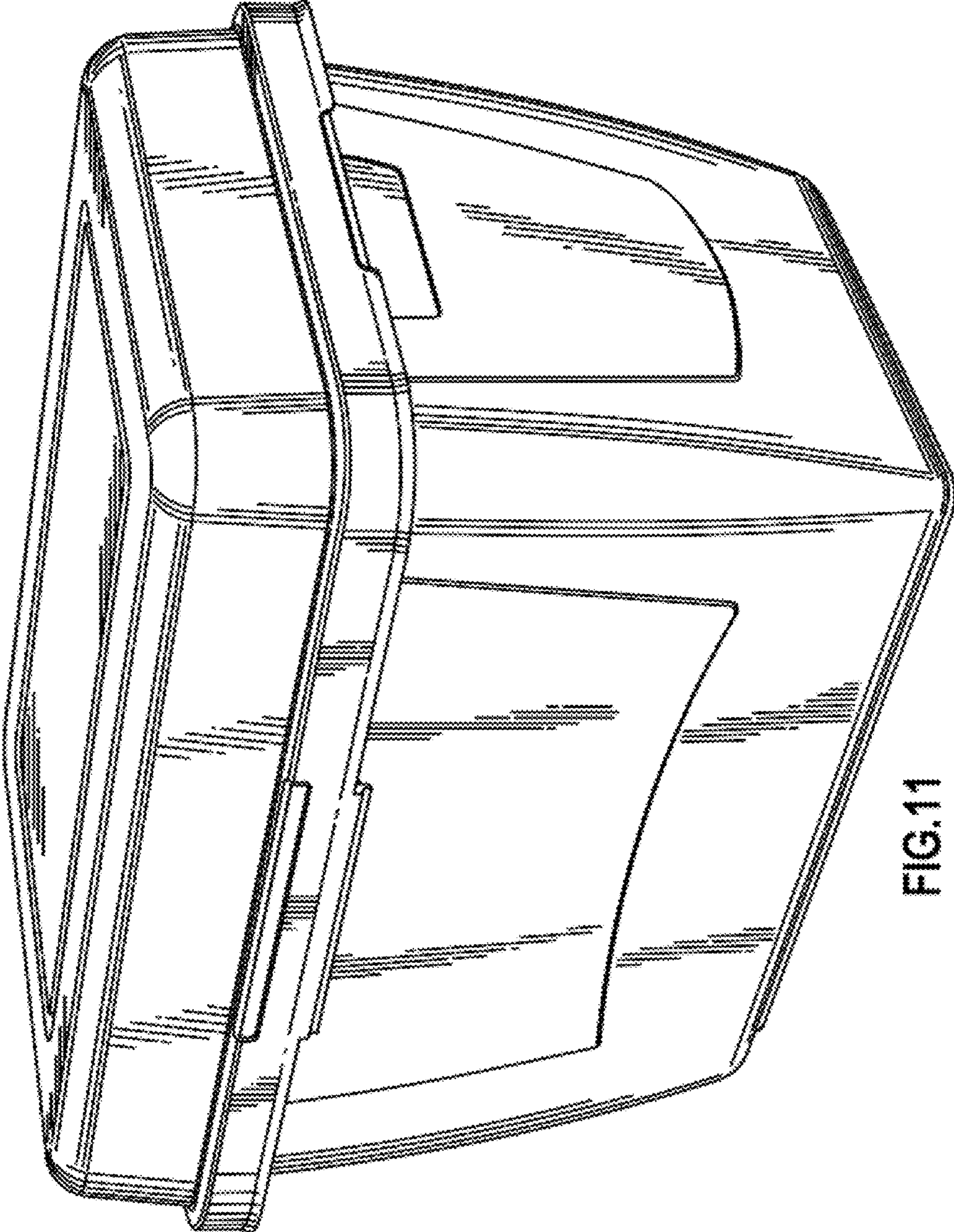


FIG.11

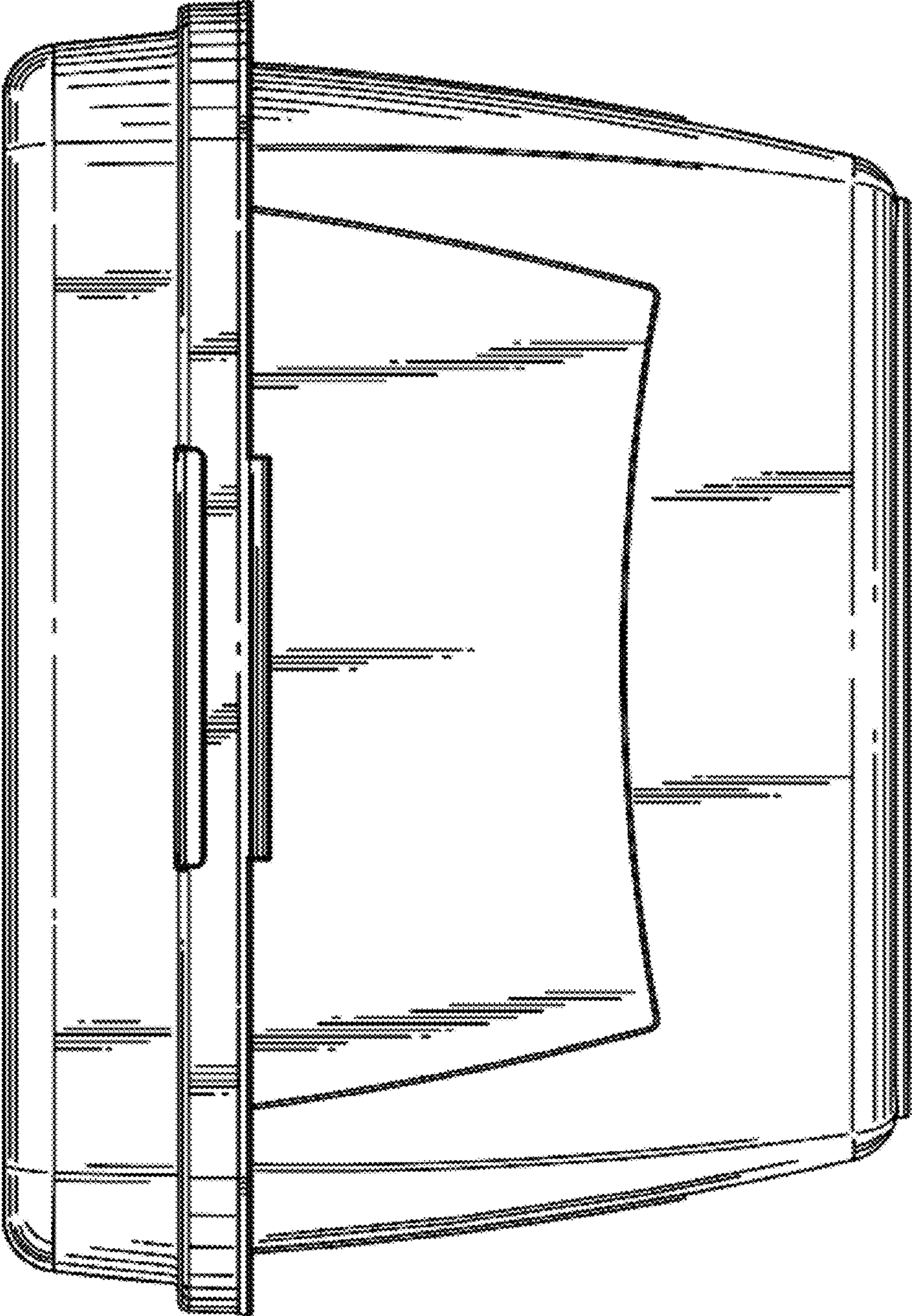


FIG.12



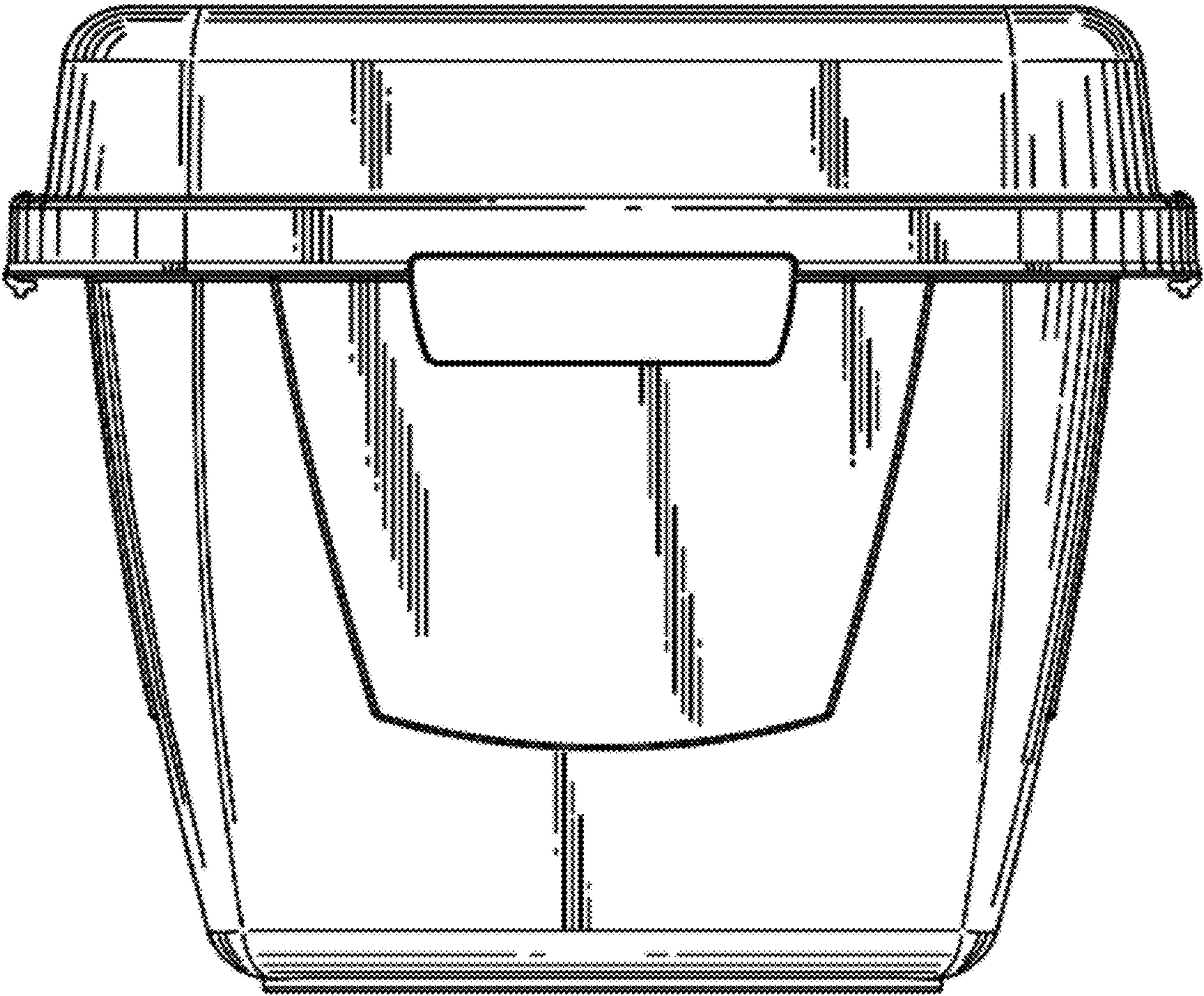


FIG. 13

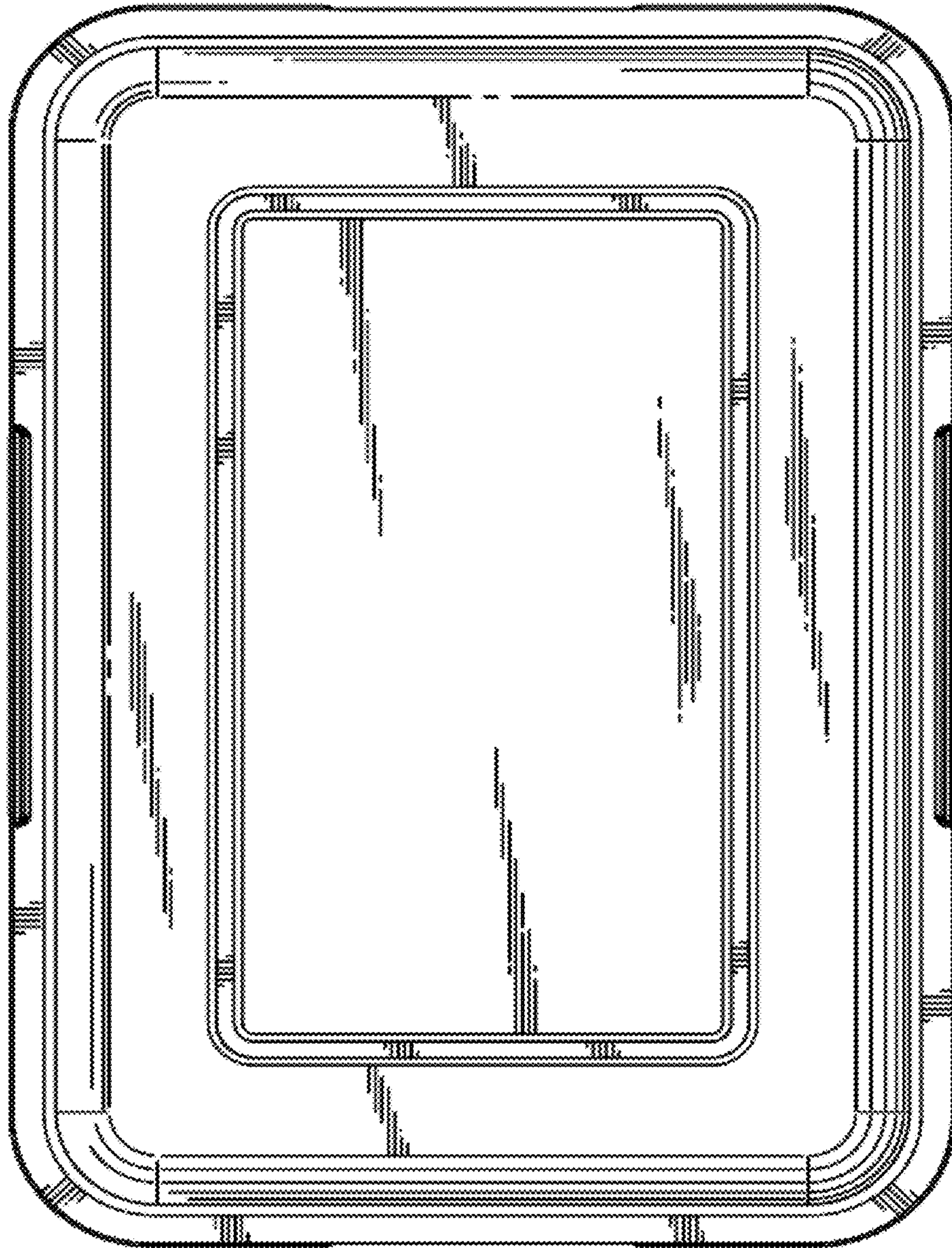


FIG. 14



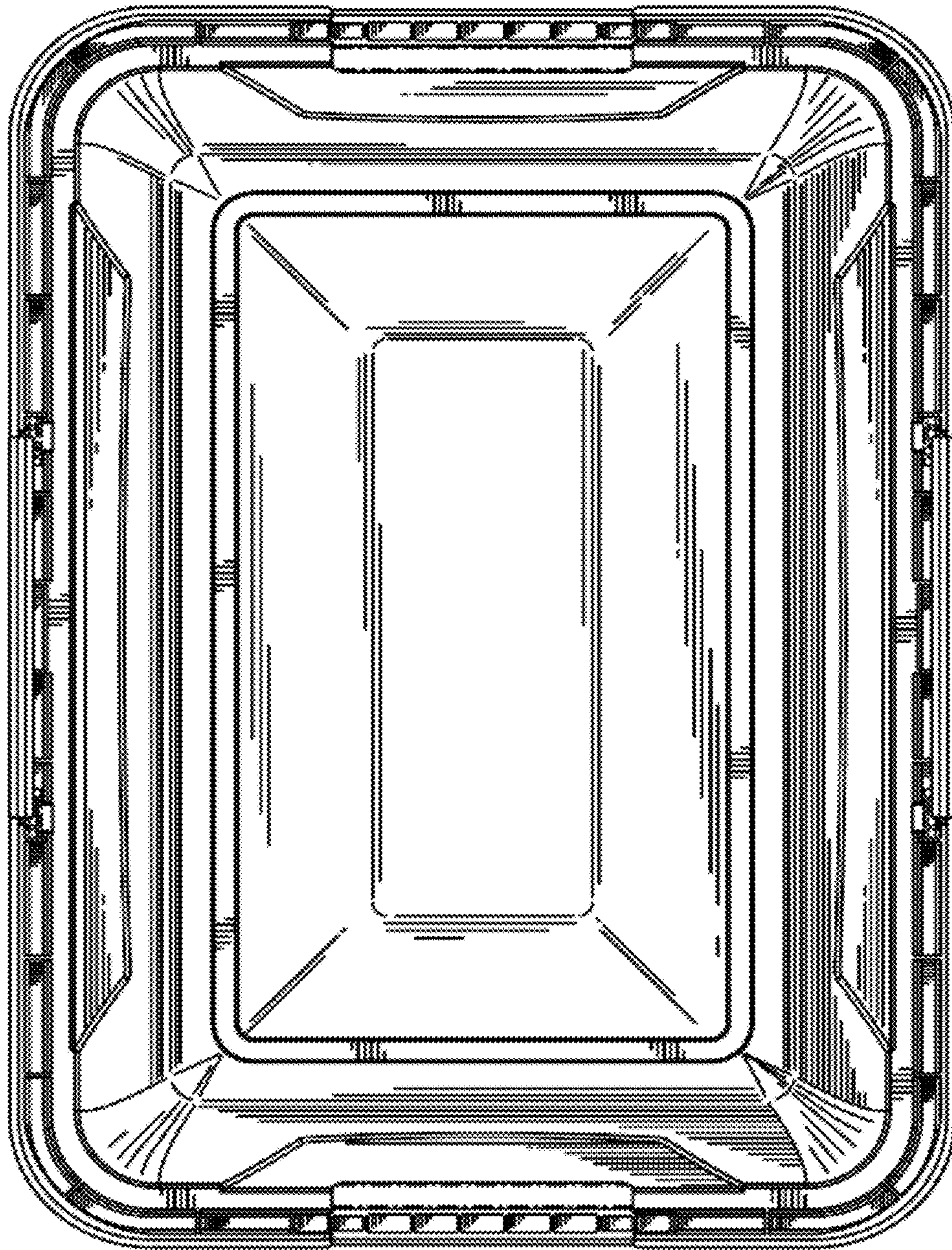


FIG.15