



US00D653448S

(12) **United States Design Patent**  
**Lopez**

(10) **Patent No.:** **US D653,448 S**

(45) **Date of Patent:** **\*\* Feb. 7, 2012**

(54) **RELIGIOUS MEMENTO BOX**

(76) Inventor: **Cynthia A. Lopez**, Splendora, TX (US)

(\*\*) Term: **14 Years**

(21) Appl. No.: **29/391,658**

(22) Filed: **May 11, 2011**

(51) **LOC (9) Cl.** ..... **03-01**

(52) **U.S. Cl.** ..... **D3/270; D3/201**

(58) **Field of Classification Search** ..... D3/201,  
D3/270-273, 903, 20; D99/25, 28, 34, 3,  
D99/6; D9/600, 667, 432; 206/38, 232,  
206/486; 220/555, 522

See application file for complete search history.

(56) **References Cited**

**U.S. PATENT DOCUMENTS**

D44,777 S *	10/1913	Weidlich	.....	D3/903
D97,359 S *	10/1935	Shields	.....	D99/25
4,813,566 A	3/1989	Hewitt		
D326,947 S *	6/1992	Roberts et al.	.....	D99/25
5,312,008 A	5/1994	Davis		
D353,994 S *	1/1995	Kohler	.....	D9/600

5,553,702 A	9/1996	Walsh		
5,810,364 A	9/1998	Canion		
D412,784 S *	8/1999	Richardson	.....	D3/270
D475,168 S *	5/2003	Post	.....	D99/25
D505,766 S *	6/2005	Matthews	.....	D3/270
D534,724 S *	1/2007	Dolgonos	.....	D3/270

\* cited by examiner

*Primary Examiner* — Catheri Oliver

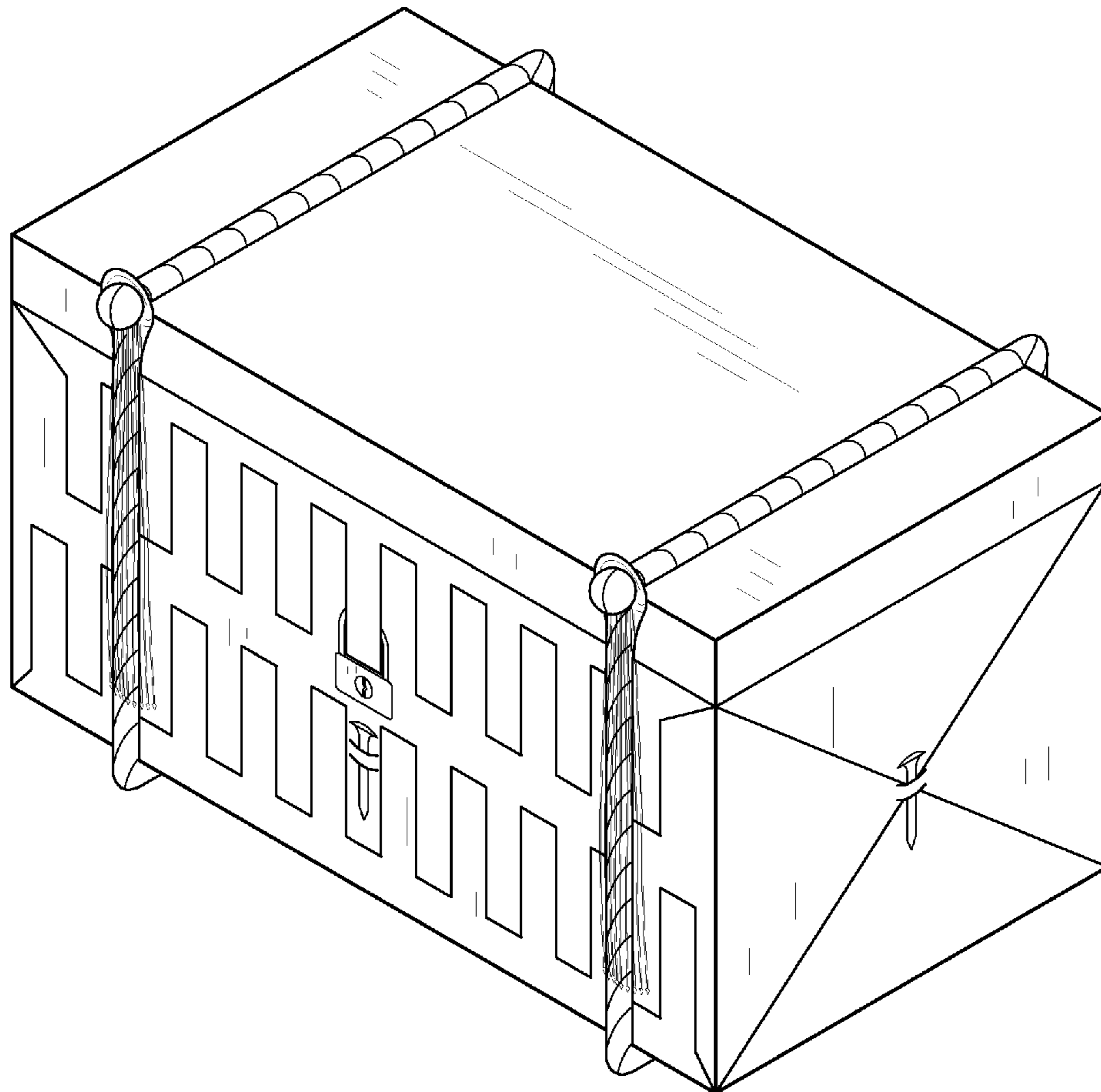
(57) **CLAIM**

The ornamental design for a religious memento box, as shown and described.

**DESCRIPTION**

FIG. 1 is a front elevation view of a religious memento box showing my new design;  
FIG. 2 is a rear elevation view thereof;  
FIG. 3 is a right elevation view thereof, the opposite side being a mirror image of the shown;  
FIG. 4 is top plan view thereof;  
FIG. 5 is a bottom plan view thereof; and,  
FIG. 6 is an isometric view thereof.

**1 Claim, 6 Drawing Sheets**



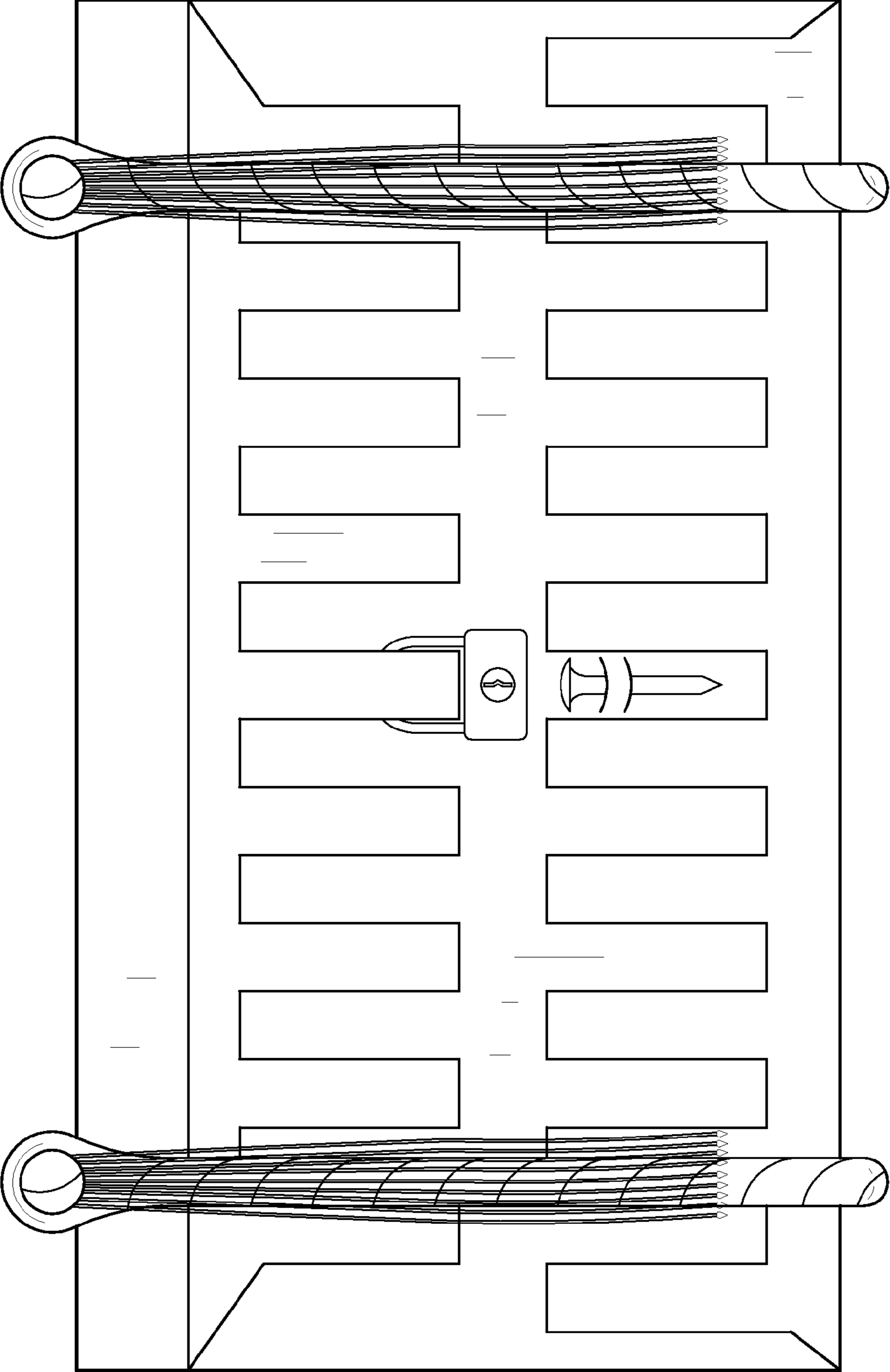


FIG. 1

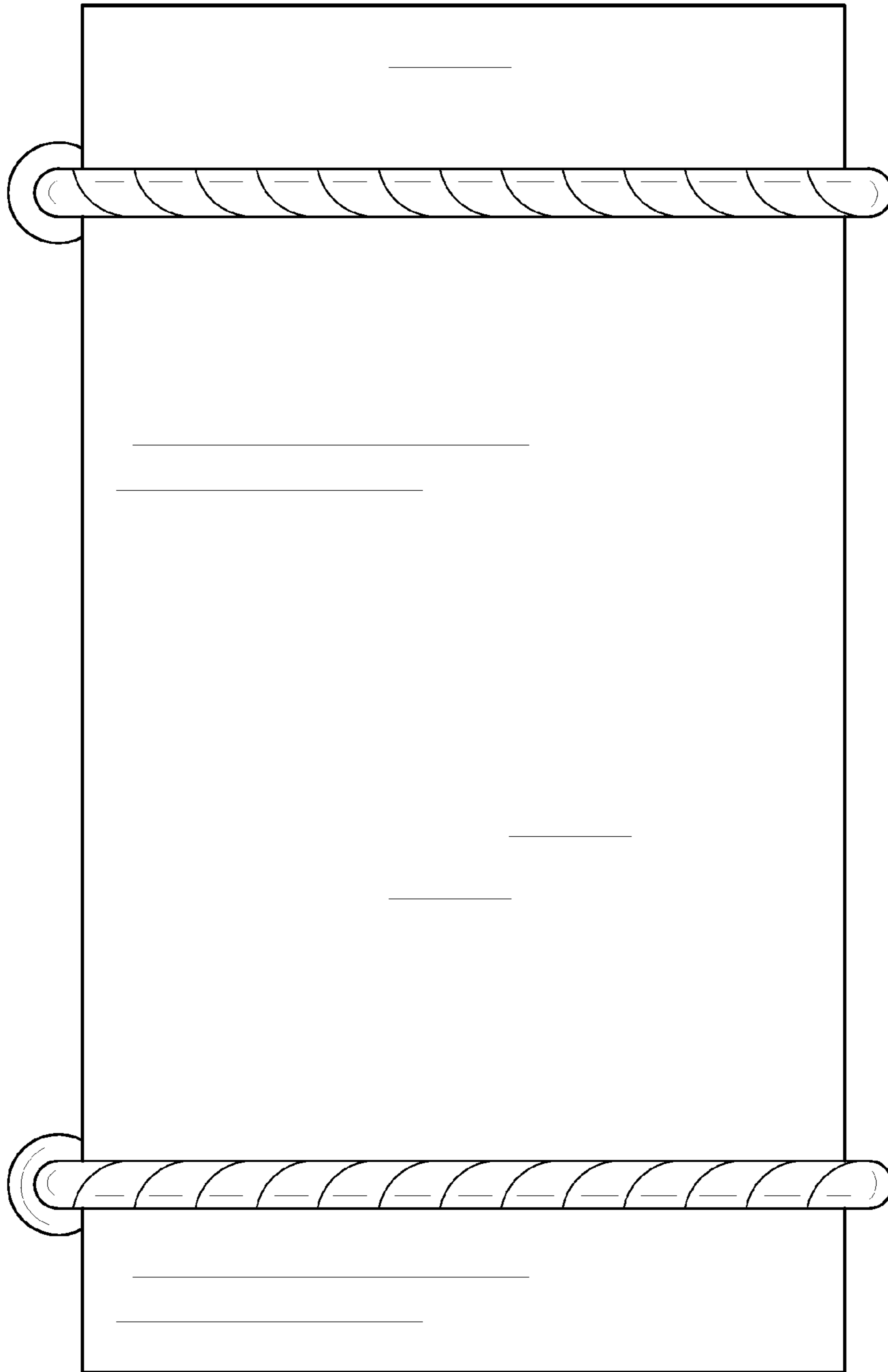


FIG. 2

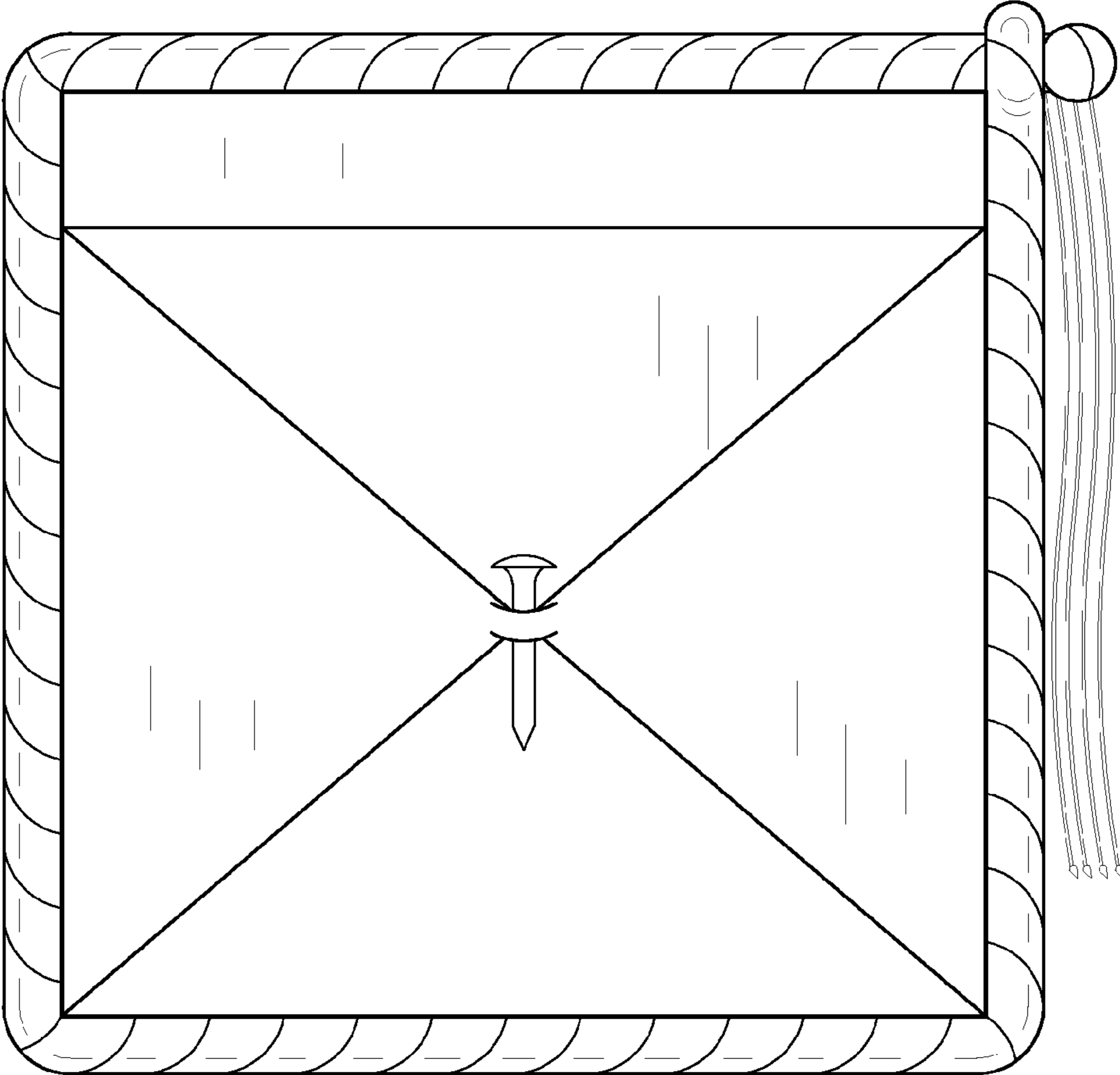


FIG. 3

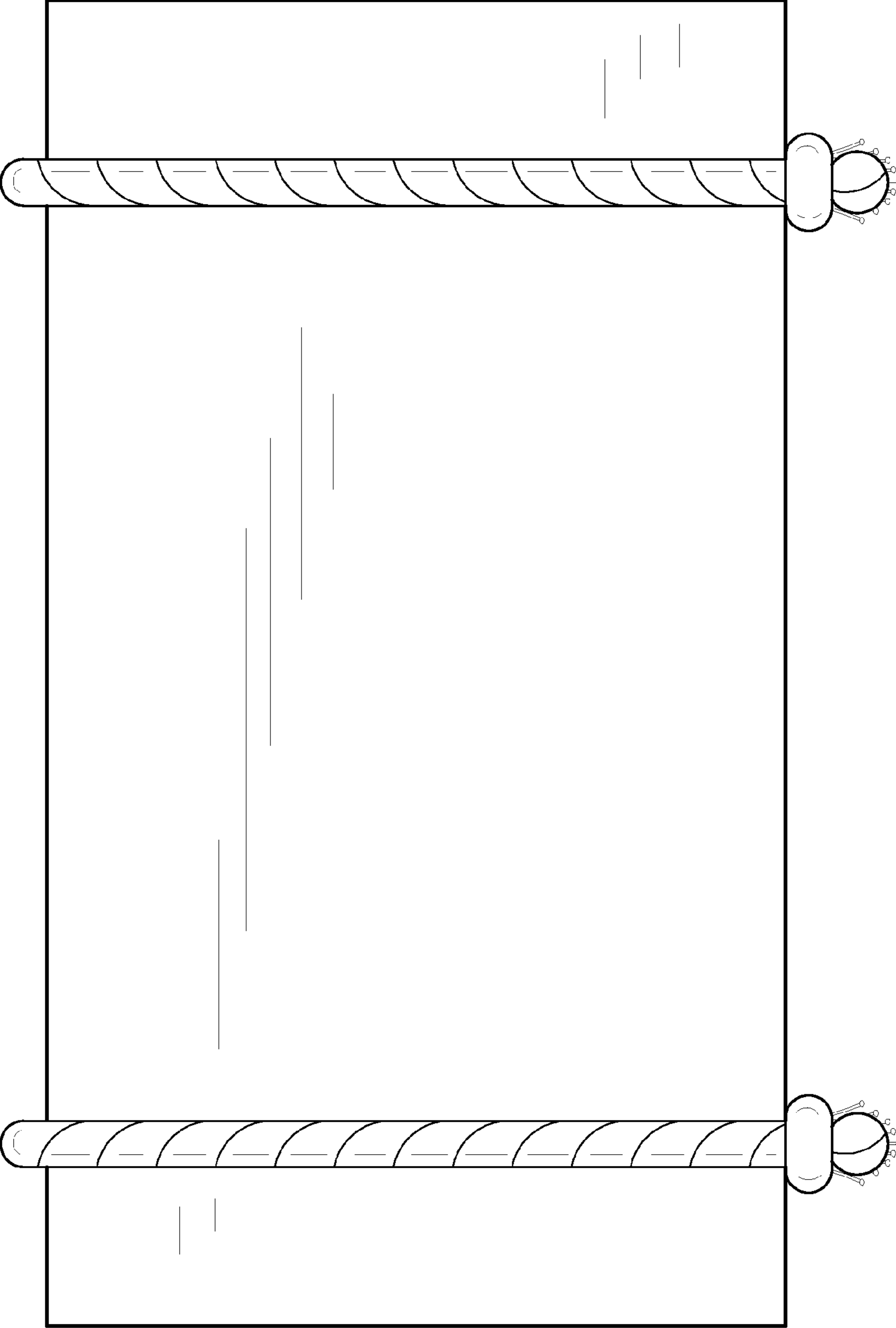


FIG. 4

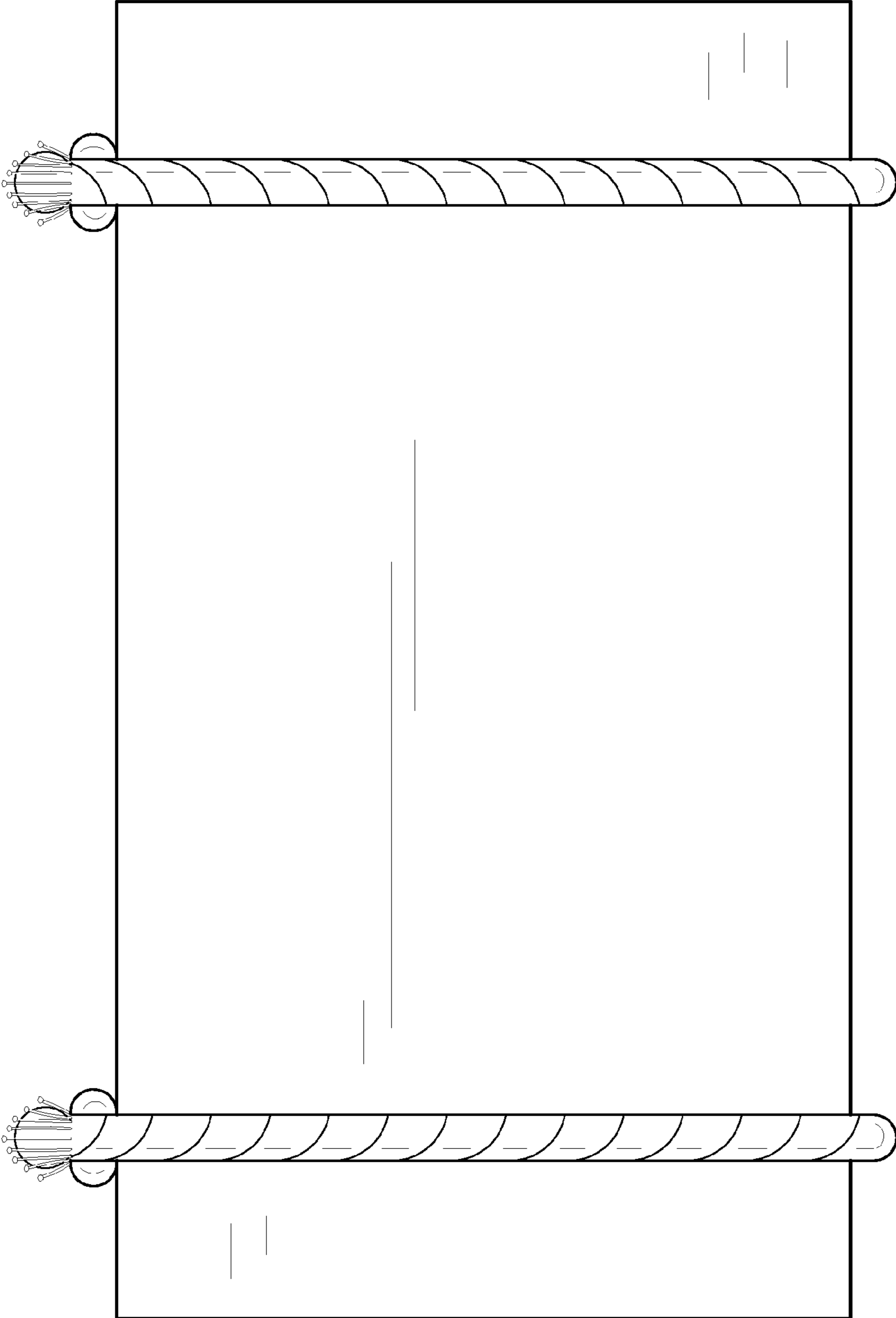


FIG. 5

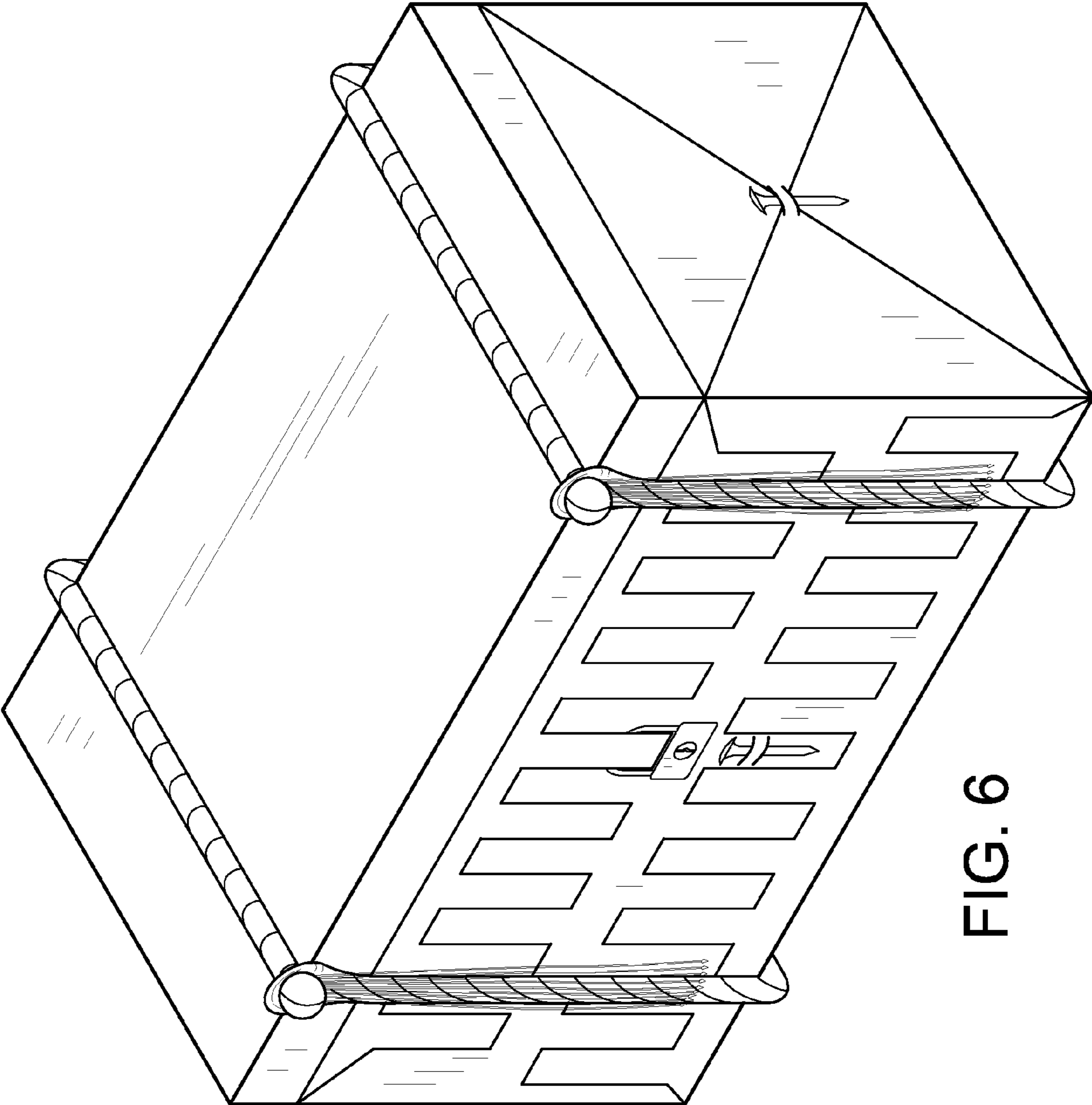


FIG. 6