



US00D653446S

(12) **United States Design Patent**
Bode

(10) **Patent No.:** **US D653,446 S**
(45) **Date of Patent:** **** Feb. 7, 2012**

(54) **FISHING ROD STORAGE DEVICE**

(76) Inventor: **Douglas R. Bode**, Bailey, CO (US)

(**) Term: **14 Years**

(21) Appl. No.: **29/367,594**

(22) Filed: **Aug. 10, 2010**

(51) **LOC (9) Cl.** **03-01**

(52) **U.S. Cl.** **D3/260**

(58) **Field of Classification Search** D3/260,
D3/905; 43/21.2, 26, 54.1, 57.1; 224/922;
206/315.11; D22/147

See application file for complete search history.

(56) **References Cited**

U.S. PATENT DOCUMENTS

2,749,645	A *	6/1956	McKern	43/26
D284,423	S *	7/1986	McCallum	D3/260
4,967,504	A *	11/1990	Craft	43/26
D321,281	S *	11/1991	Cooper	D3/260
5,341,590	A *	8/1994	Hepworth et al.	43/26
D458,747	S *	6/2002	Hields et al.	D3/260
6,760,994	B2 *	7/2004	Henault et al.	43/26
D530,085	S *	10/2006	Quinnan	D3/260

OTHER PUBLICATIONS

“Semi-Custom Dual rod/reel holders FS,” Teton Gravity Research Forums, <http://www.tetongravity.com/forums/showthread.php&t+192171&page=2>, printed May 17, 2010.

* cited by examiner

Primary Examiner — Catheri Oliver

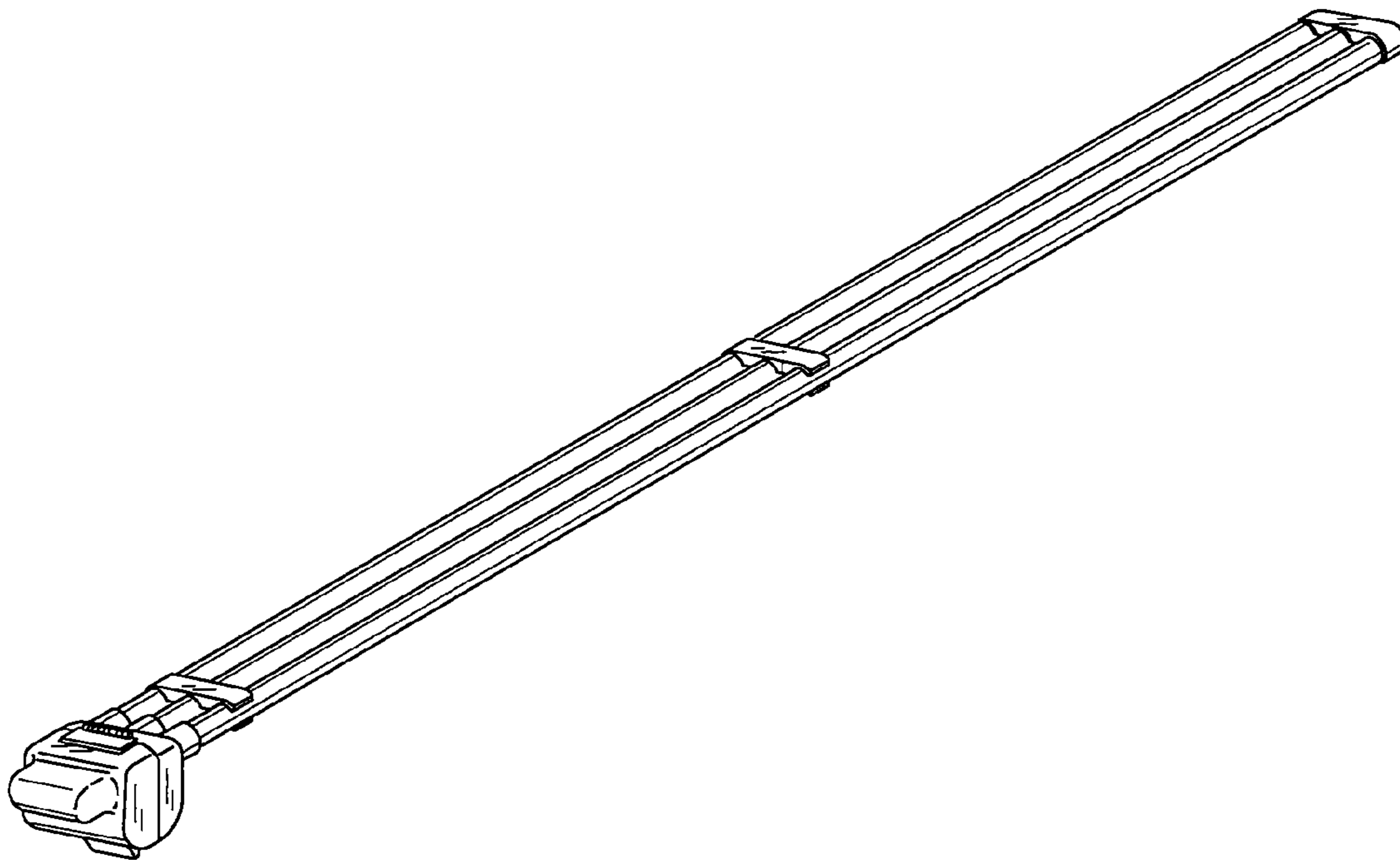
(57) **CLAIM**

The ornamental design for a fishing rod storage device, as shown and described.

DESCRIPTION

FIG. 1 is a perspective view of a fishing rod storage device showing my new design;
FIG. 2 is another perspective view showing a portion of the fishing rod storage device in a second position of use;
FIG. 3 is a top plan view thereof;
FIG. 4 is a front elevation view thereof;
FIG. 5 is a right elevation view thereof;
FIG. 6 is a left elevation view thereof;
FIG. 7 is a bottom plan view thereof; and,
FIG. 8 is a rear elevation view thereof.

1 Claim, 3 Drawing Sheets



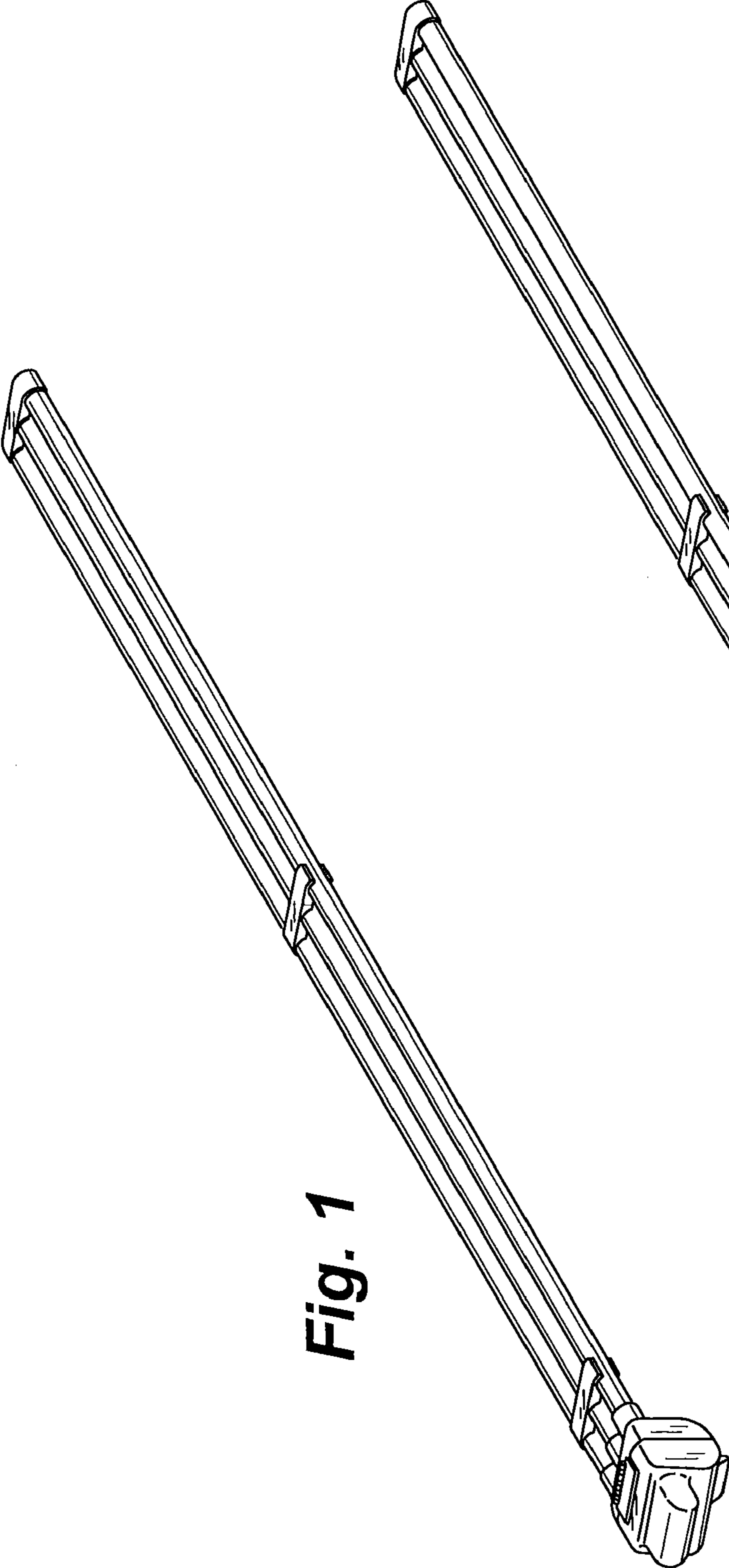


Fig. 1

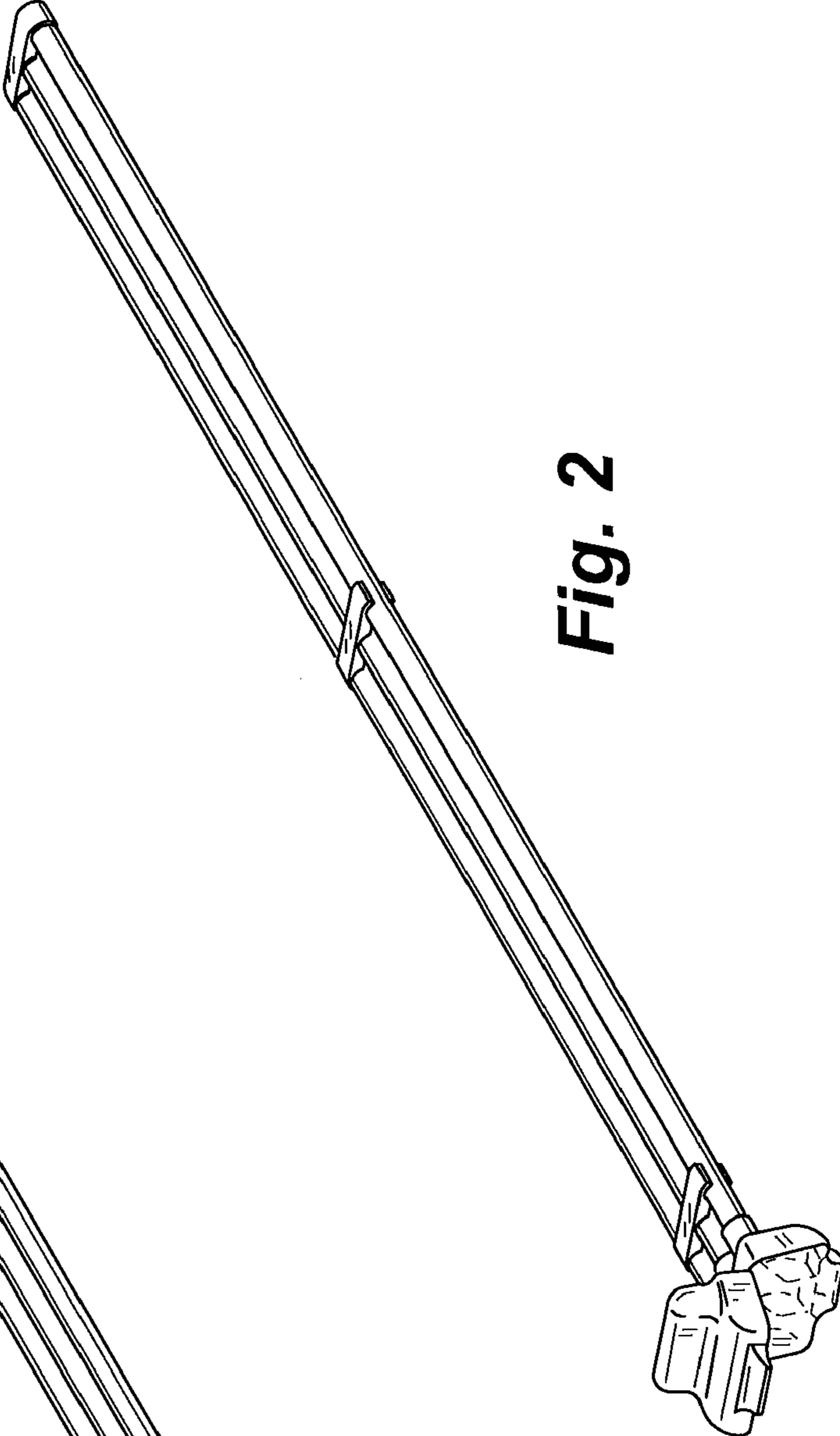


Fig. 2

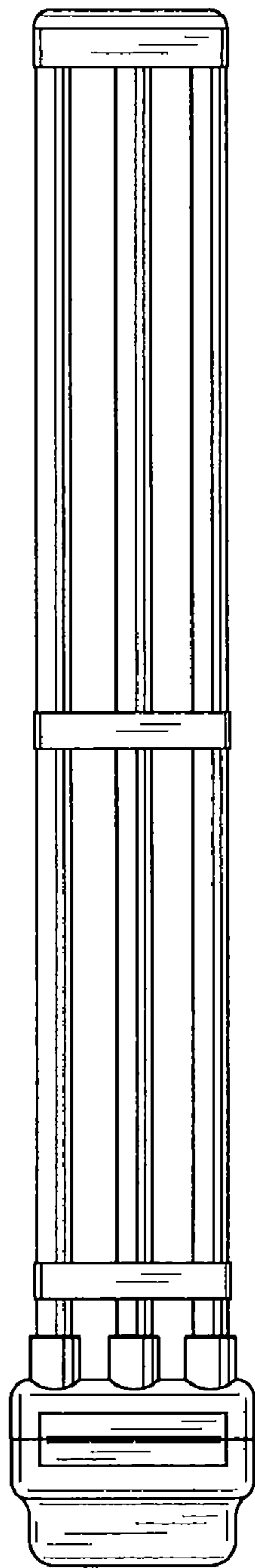


Fig. 3

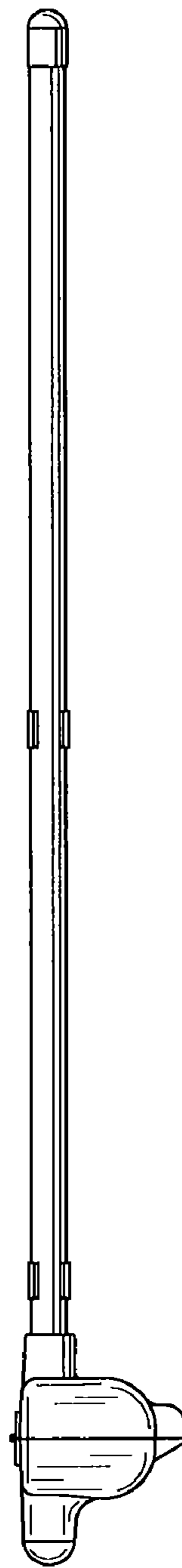


Fig. 4

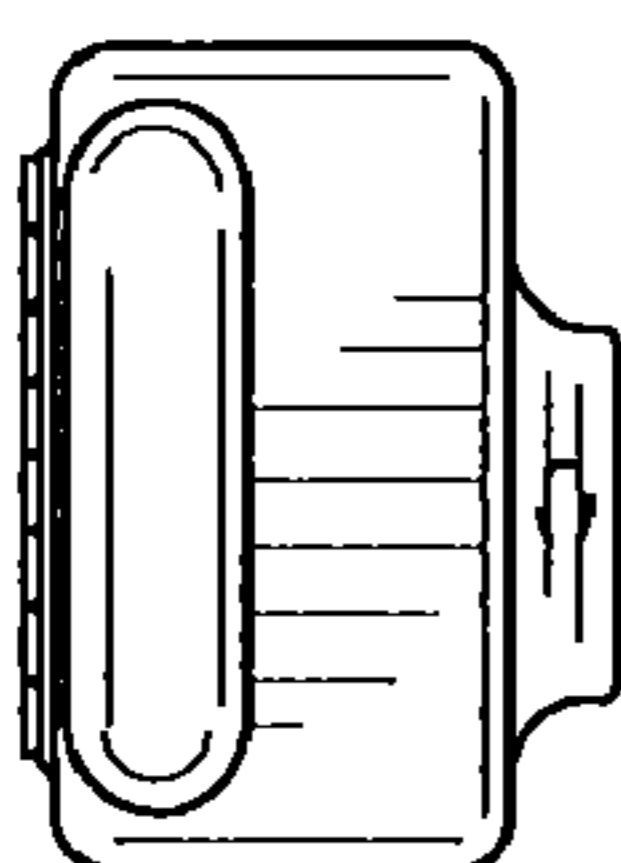


Fig. 5

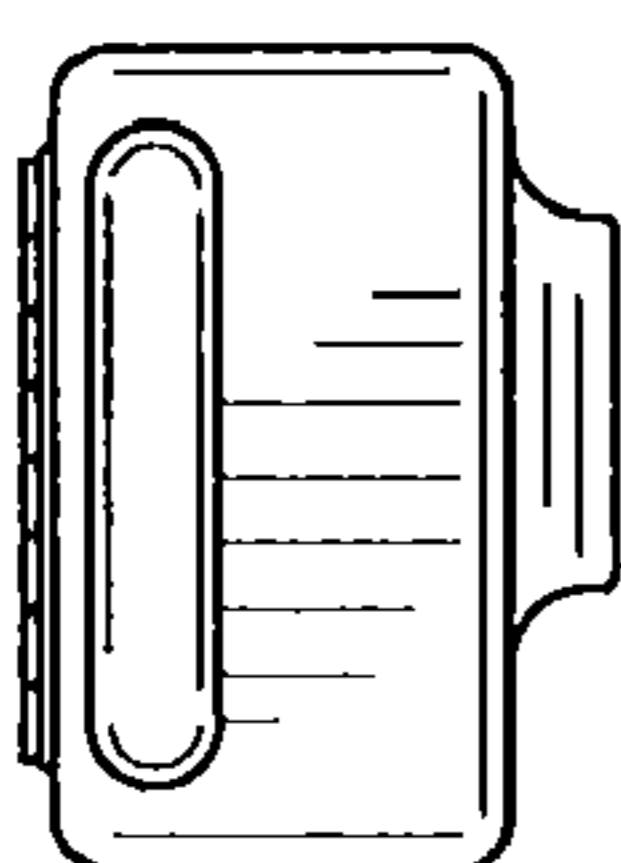


Fig. 6

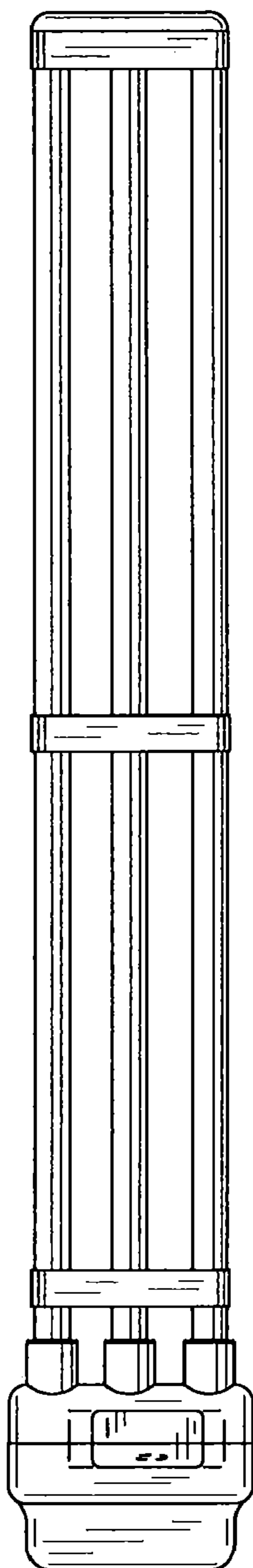


Fig. 7

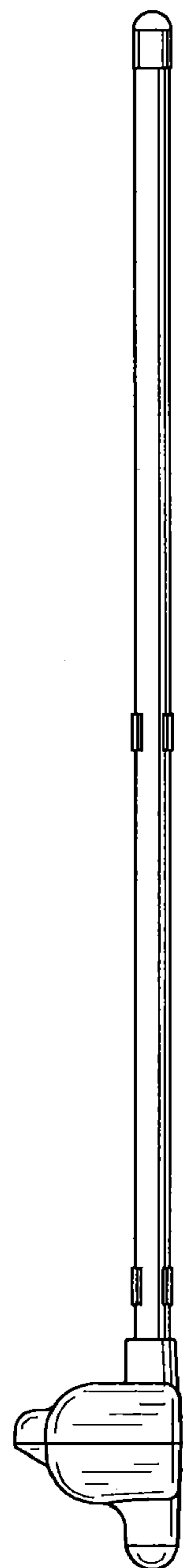


Fig. 8