



US00D653444S

(12) **United States Design Patent**  
**Larios**

(10) **Patent No.:** **US D653,444 S**

(45) **Date of Patent:** **\*\* Feb. 7, 2012**

(54) **CELL PHONE HOLSTER WITH BELT**

(76) Inventor: **Laura Larios**, San Jose, CA (US)

(\*\*) Term: **14 Years**

(21) Appl. No.: **29/392,704**

(22) Filed: **May 25, 2011**

(51) **LOC (9) Cl.** ..... **03-01**

(52) **U.S. Cl.** ..... **D3/218**

(58) **Field of Classification Search** ..... D3/218,  
D3/215, 226, 232-243; 224/219, 222, 269,  
224/623, 625, 236, 240, 901, 904, 682, 257,  
224/223, 267; 150/100, 103, 107; 206/305,  
206/320

See application file for complete search history.

(56) **References Cited**

**U.S. PATENT DOCUMENTS**

D379,118 S *	5/1997	Wilson	.....	D3/218
D395,162 S *	6/1998	Frank	.....	D3/218
D433,227 S *	11/2000	Evans	.....	D3/218
D515,806 S *	2/2006	Rice	.....	D3/218
D527,893 S *	9/2006	Martz	.....	D3/218

D593,748 S *	6/2009	Farfante	.....	D3/226
D629,192 S *	12/2010	Pueblo	.....	D3/218
D631,650 S *	2/2011	Li	.....	D3/218

\* cited by examiner

*Primary Examiner* — Catheri Oliver

(74) *Attorney, Agent, or Firm* — Schneck & Schneck;  
Thomas Schneck

(57) **CLAIM**

The ornamental design for a cell phone holster with belt, as shown and described.

**DESCRIPTION**

FIG. 1 is a perspective view of a cell phone holster and belt of my design in use on a person;

FIG. 2 is a front perspective view thereof;

FIG. 3 is a front elevational view thereof;

FIG. 4 is a rear elevational view thereof;

FIG. 5 is a left side view thereof;

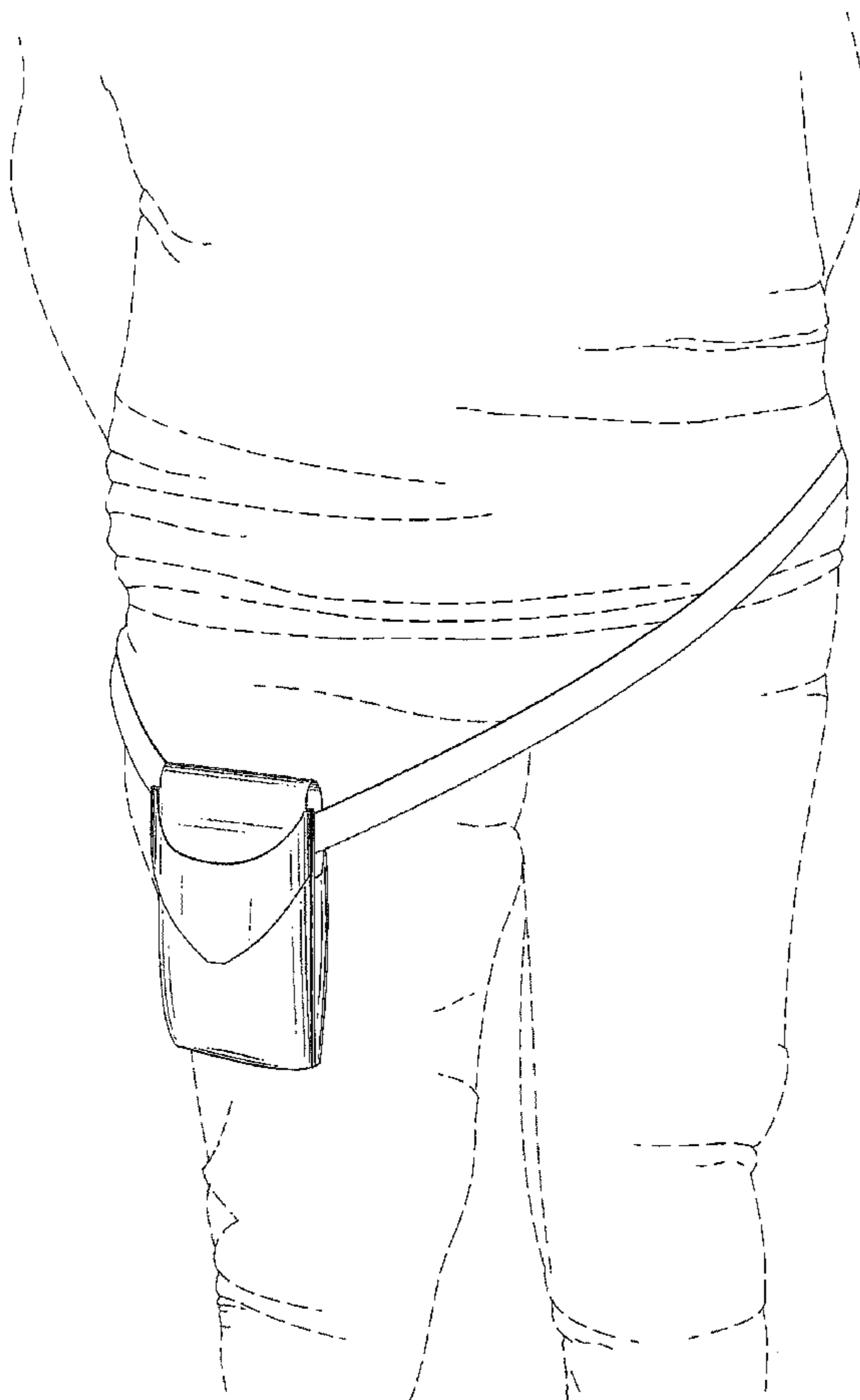
FIG. 6 is a right side view thereof;

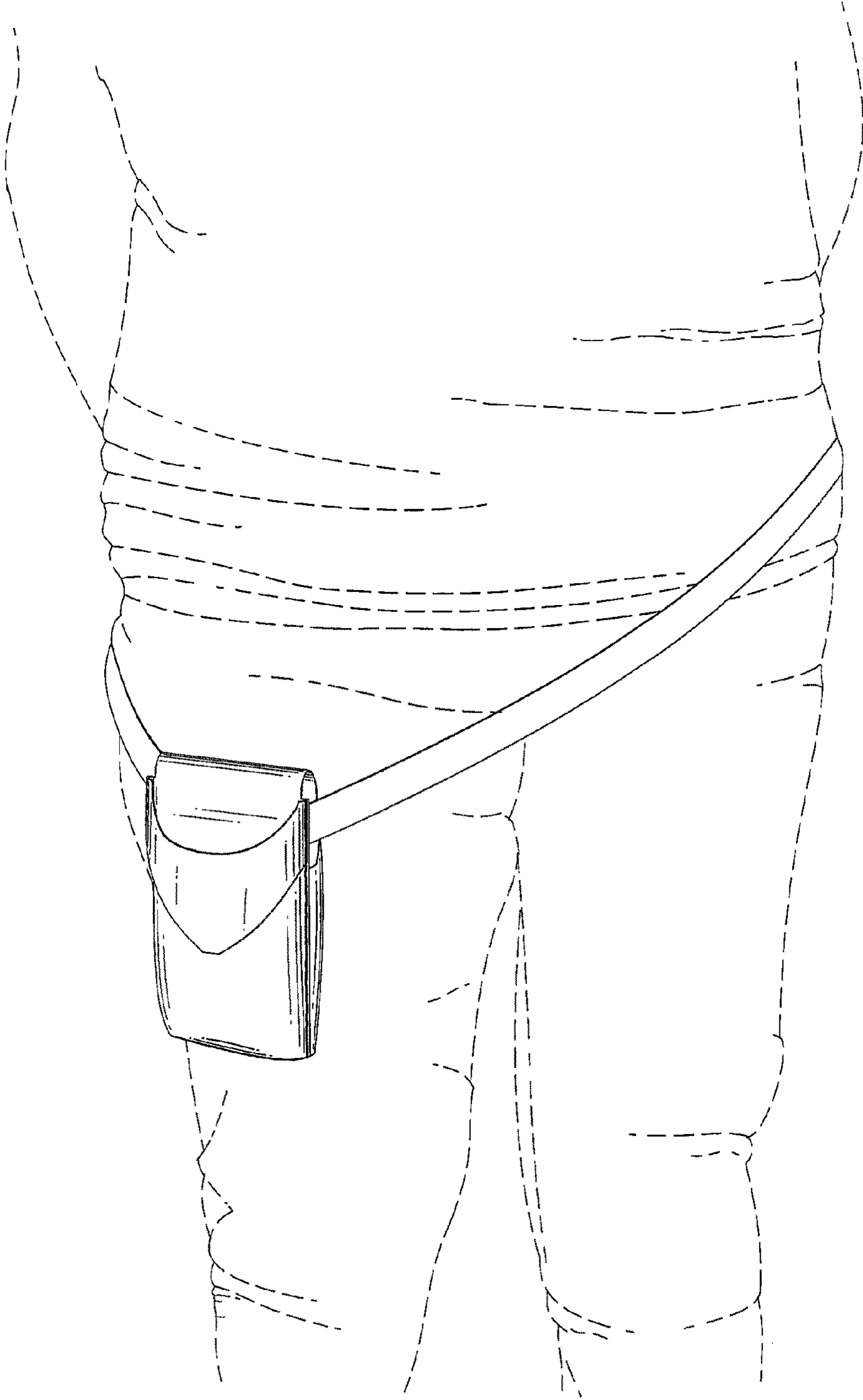
FIG. 7 is a top view thereof; and,

FIG. 8 is a bottom view thereof.

No claim is made to items shown in dashed lines.

**1 Claim, 5 Drawing Sheets**





*Fig. 1*

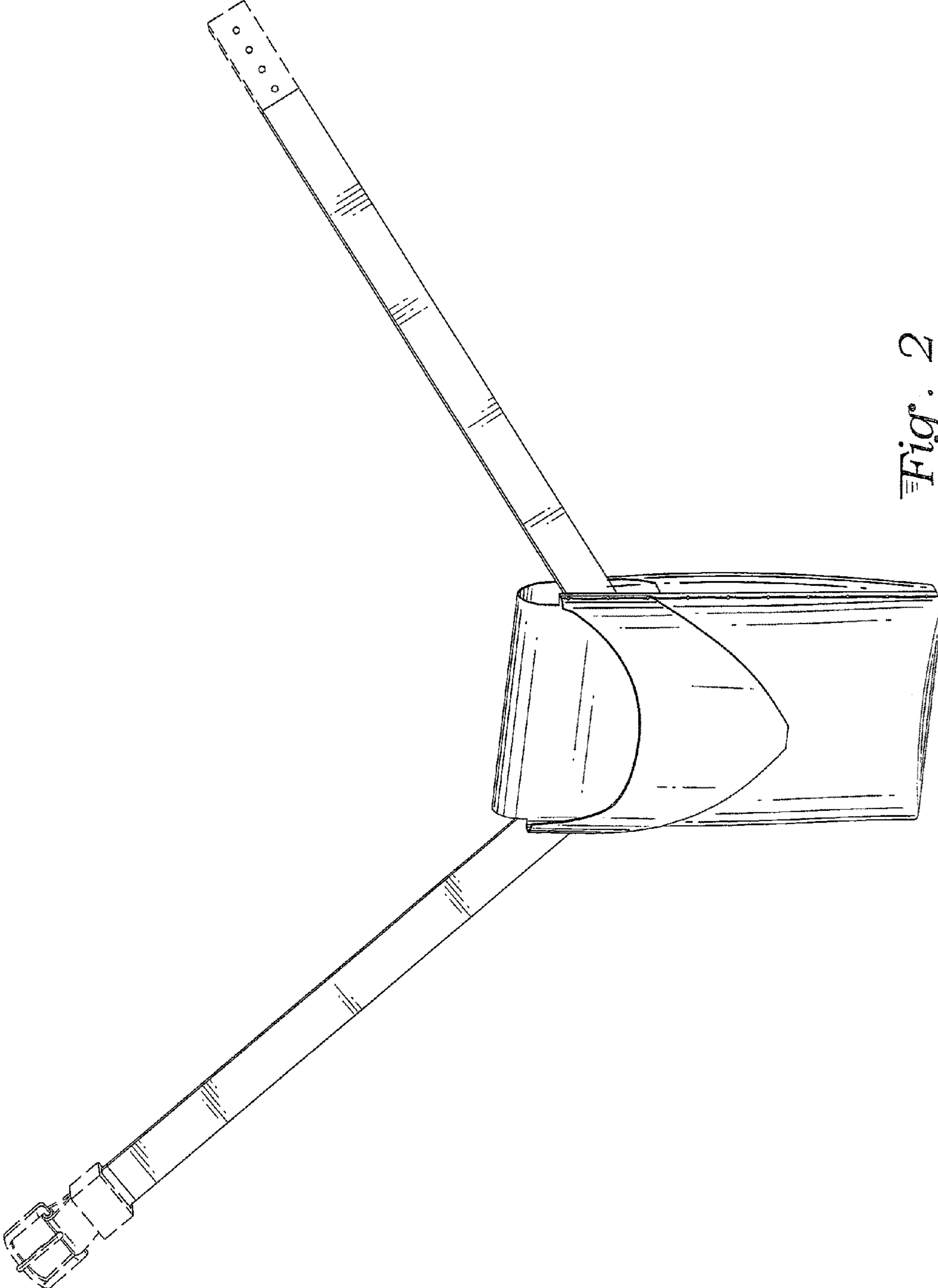


Fig. 2

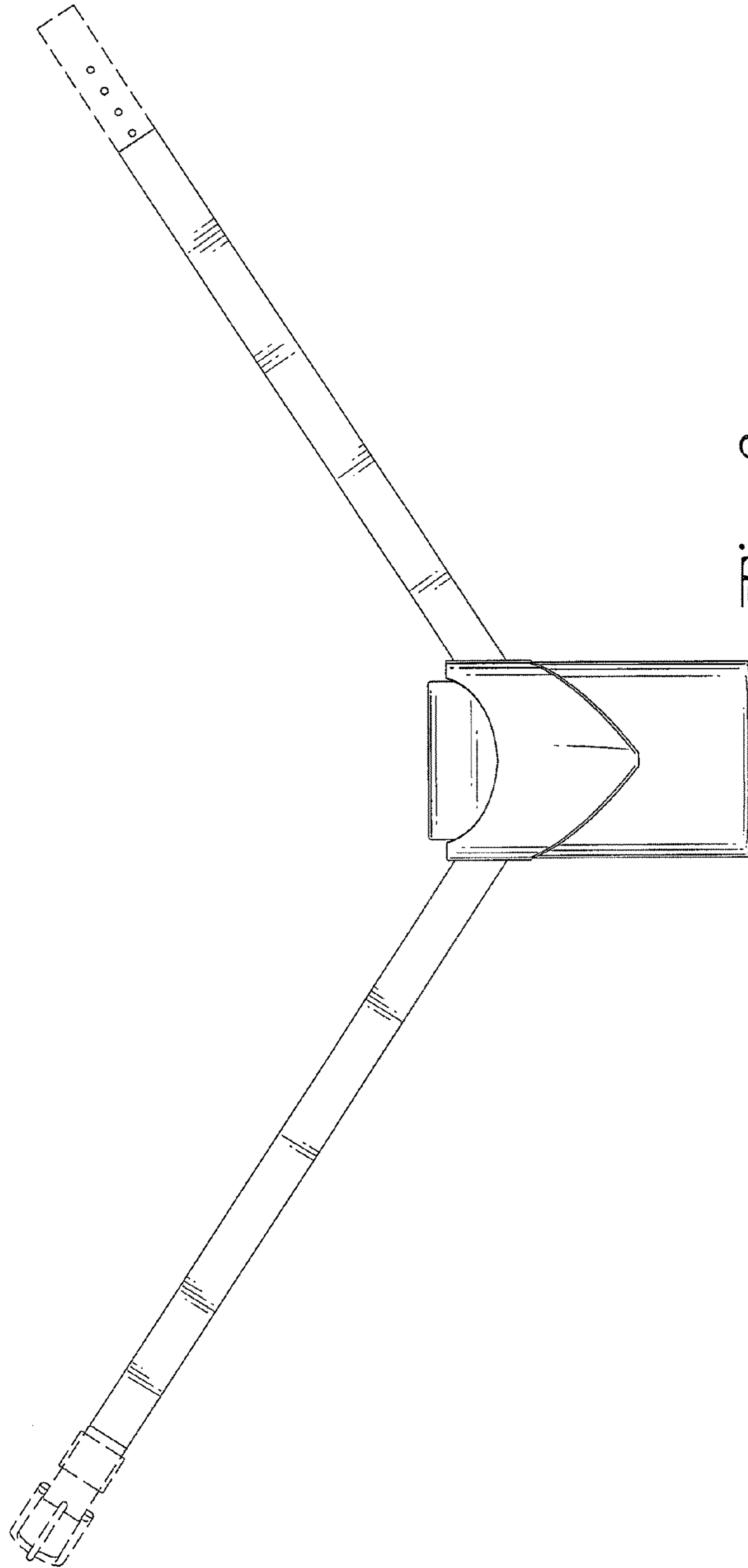


Fig. 3

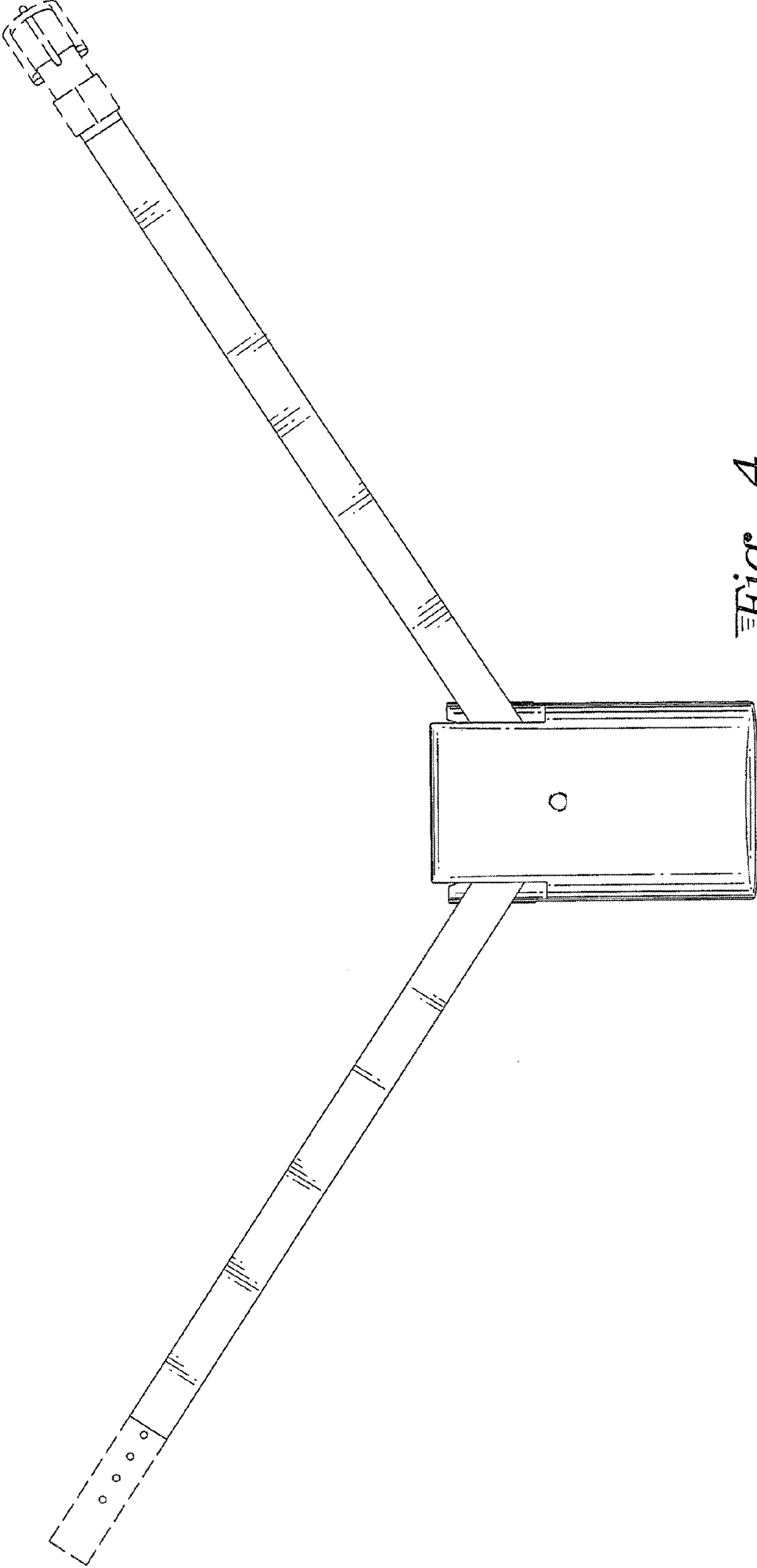


Fig. 4



Fig. 7



Fig. 6

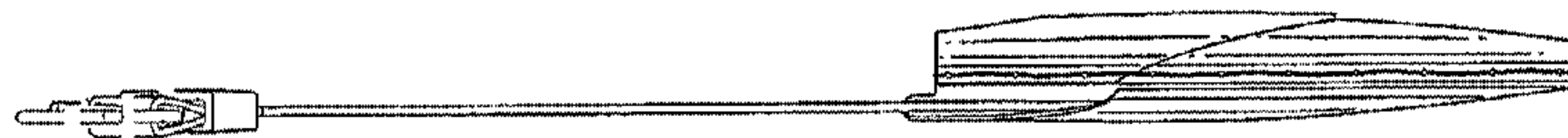


Fig. 5



Fig. 8

