



US00D653438S

(12) **United States Design Patent**
Moon

(10) **Patent No.:** **US D653,438 S**

(45) **Date of Patent:** **** Feb. 7, 2012**

(54) **SHOE ANTI-SLIP ATTACHMENT**

(76) Inventor: **Ku Do Moon**, Seoul (KR)

(**) Term: **14 Years**

(21) Appl. No.: **29/352,342**

(22) Filed: **Dec. 18, 2009**

(30) **Foreign Application Priority Data**

Aug. 31, 2009 (KR) 30-2009-0038515

(51) **LOC (9) Cl.** **02-04**

(52) **U.S. Cl.** **D2/957; D2/960; D2/951**

(58) **Field of Classification Search** D2/902,
D2/906, 908, 916, 918, 925, 946, 947, 951-962,
D2/977; 36/3 B, 22 R, 24.5, 25 R, 28, 32 R,
36/34 R, 59 C, 67 A, 103; D6/583; D5/53;
D12/510, 512, 542

See application file for complete search history.

(56) **References Cited**

U.S. PATENT DOCUMENTS

D16,018 S *	4/1885	Elliott	D2/959
D203,577 S *	2/1966	Weinberg	D2/957
D241,688 S *	10/1976	Johnson	D2/955
D335,572 S *	5/1993	Peterson	D2/959
D341,707 S *	11/1993	Blissett	D2/957
D346,480 S *	5/1994	Davidson	D2/961
D445,243 S *	7/2001	Cockrell	D2/957
D494,346 S *	8/2004	Hawkins	D2/952
D509,949 S *	9/2005	Wu	D2/959
D514,287 S *	2/2006	Cockrell	D2/959
D529,695 S *	10/2006	Cockrell	D2/959
D530,067 S *	10/2006	Cockrell	D2/959
D530,493 S *	10/2006	Holmes	D2/957
D530,894 S *	10/2006	Cockrell	D2/959
D530,895 S *	10/2006	Cockrell	D2/959
D531,789 S *	11/2006	Kohastu et al.	D2/959
D532,585 S *	11/2006	McDonald	D2/959
D538,519 S *	3/2007	McClaskie	D2/957
D542,017 S *	5/2007	Cockrell	D2/959
D552,759 S *	10/2007	Murdock	D25/121
7,290,357 B2 *	11/2007	McDonald et al.	36/102

D561,438 S *	2/2008	Belley	D2/957
D572,885 S *	7/2008	Jensen	D2/958
D597,735 S *	8/2009	Norton	D2/957
D604,030 S *	11/2009	Wilson	D2/947
D611,691 S *	3/2010	Lubart	D2/947
D612,140 S *	3/2010	Moon	D2/962
D612,141 S *	3/2010	Moon	D2/962
D616,187 S *	5/2010	Moon	D2/957
D619,346 S *	7/2010	Moon	D2/957
D622,042 S *	8/2010	Moon	D2/953
D622,944 S *	9/2010	Moon	D2/953

(Continued)

Primary Examiner — T. Chase Nelson

(74) *Attorney, Agent, or Firm* — Workman Nydegger

(57) **CLAIM**

The ornamental design for a shoe anti-slip attachment, as shown and described.

DESCRIPTION

FIG. 1 is a perspective view of a shoe anti-slip attachment showing my new design;

FIG. 2 is a front elevational view thereof;

FIG. 3 is a left side elevational view thereof;

FIG. 4 is a right side elevational view thereof;

FIG. 5 is a top plan view thereof;

FIG. 6 is a bottom plan view thereof;

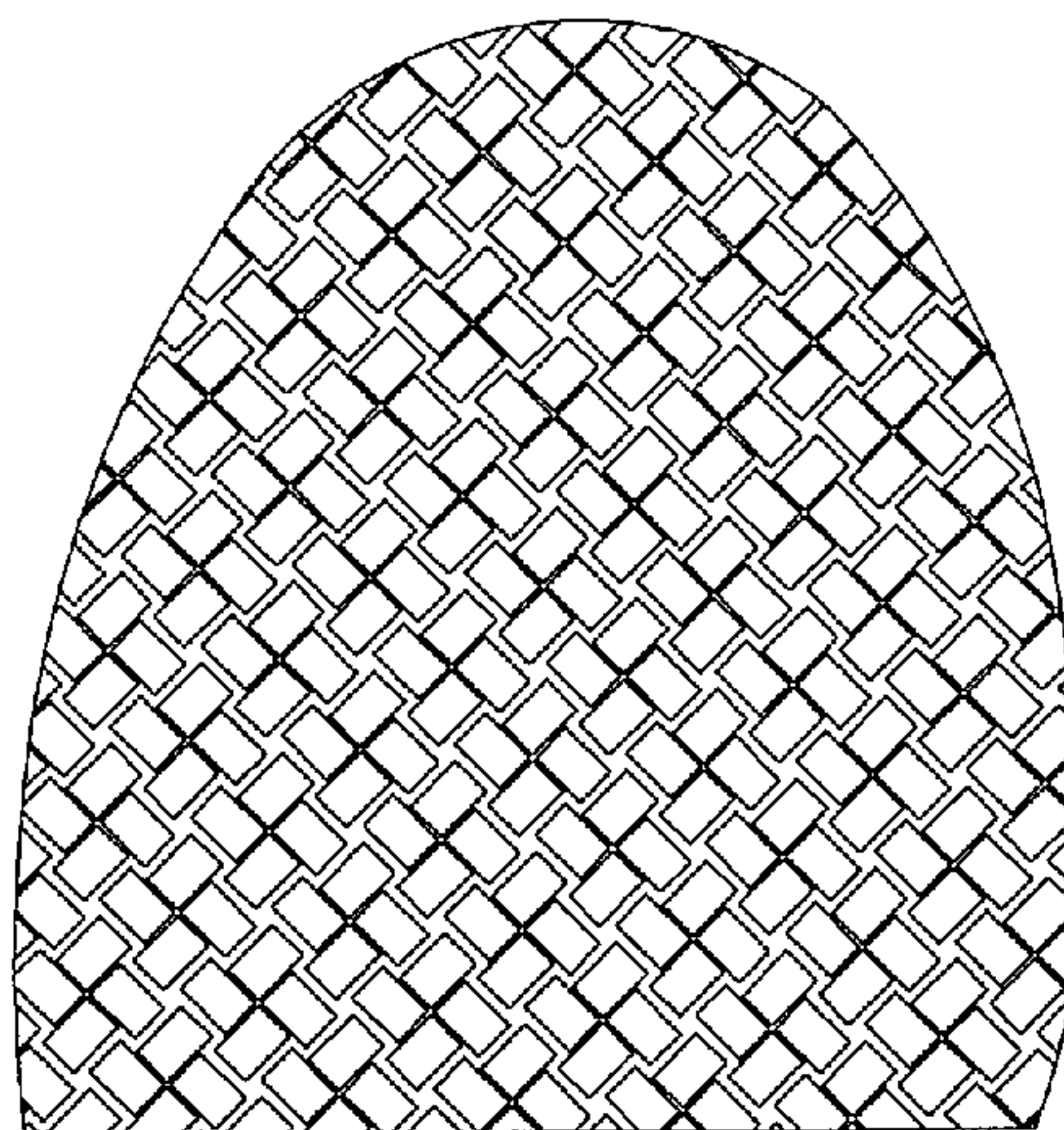
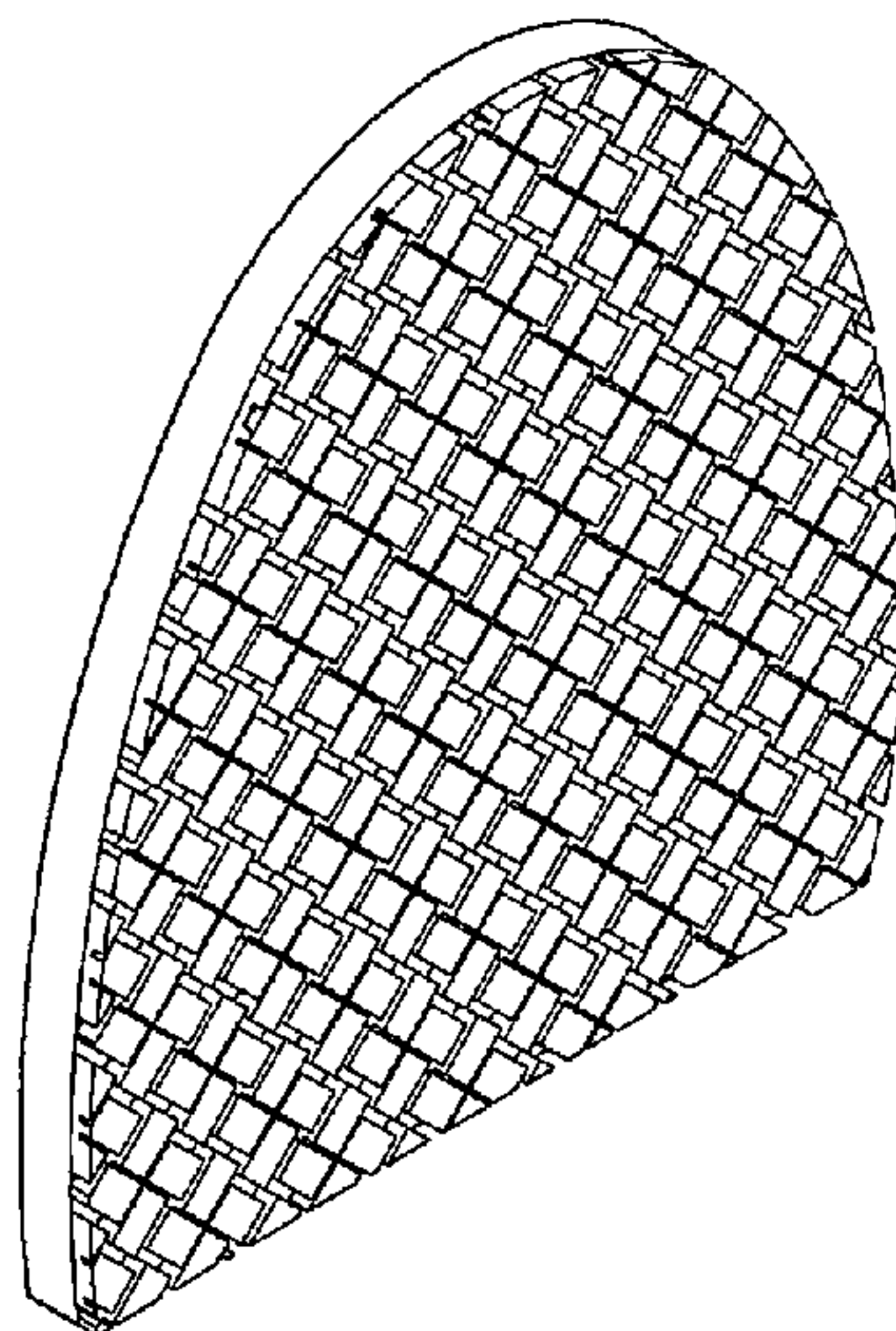
FIG. 7 is a reference perspective view showing the shoe anti-slip attachment in condition of use;

FIG. 8 is an enlarged, partial perspective view thereof taken from circle 8 in FIG. 7; and,

FIG. 9 is a reference perspective view showing the shoe anti-slip attachment in another condition of use.

The broken line circle in FIGS. 7 and 8 illustrates the location from where the partial FIG. 8 view is taken, and forms no part of the claimed design. The vertical alternating long and short dashed lines in FIGS. 7 and 9 depict the order of assembly forming no part of the claimed design, and the remainder of the broken lines in FIGS. 7 and 9 depict environmental structure that also forms no part of the claimed design.

1 Claim, 6 Drawing Sheets



US D653,438 S

Page 2

U.S. PATENT DOCUMENTS

D622,946 S *	9/2010	Moon	D2/957	D635,746 S *	4/2011	Cofinco	D2/896
D625,091 S *	10/2010	Moon	D2/953	2005/0262739 A1 *	12/2005	McDonald et al.	36/102
D625,092 S *	10/2010	Moon	D2/957	2008/0022553 A1 *	1/2008	McDonald et al.	36/25 R
D632,467 S *	2/2011	Lubart	D2/959	2008/0110053 A1 *	5/2008	Dominquez et al.	36/91
D632,880 S *	2/2011	Youn	D2/957	2011/0010965 A1 *	1/2011	Shepherd et al.	36/114
D635,342 S *	4/2011	Youn	D2/951	2011/0067267 A1 *	3/2011	Lubart	36/88

* cited by examiner

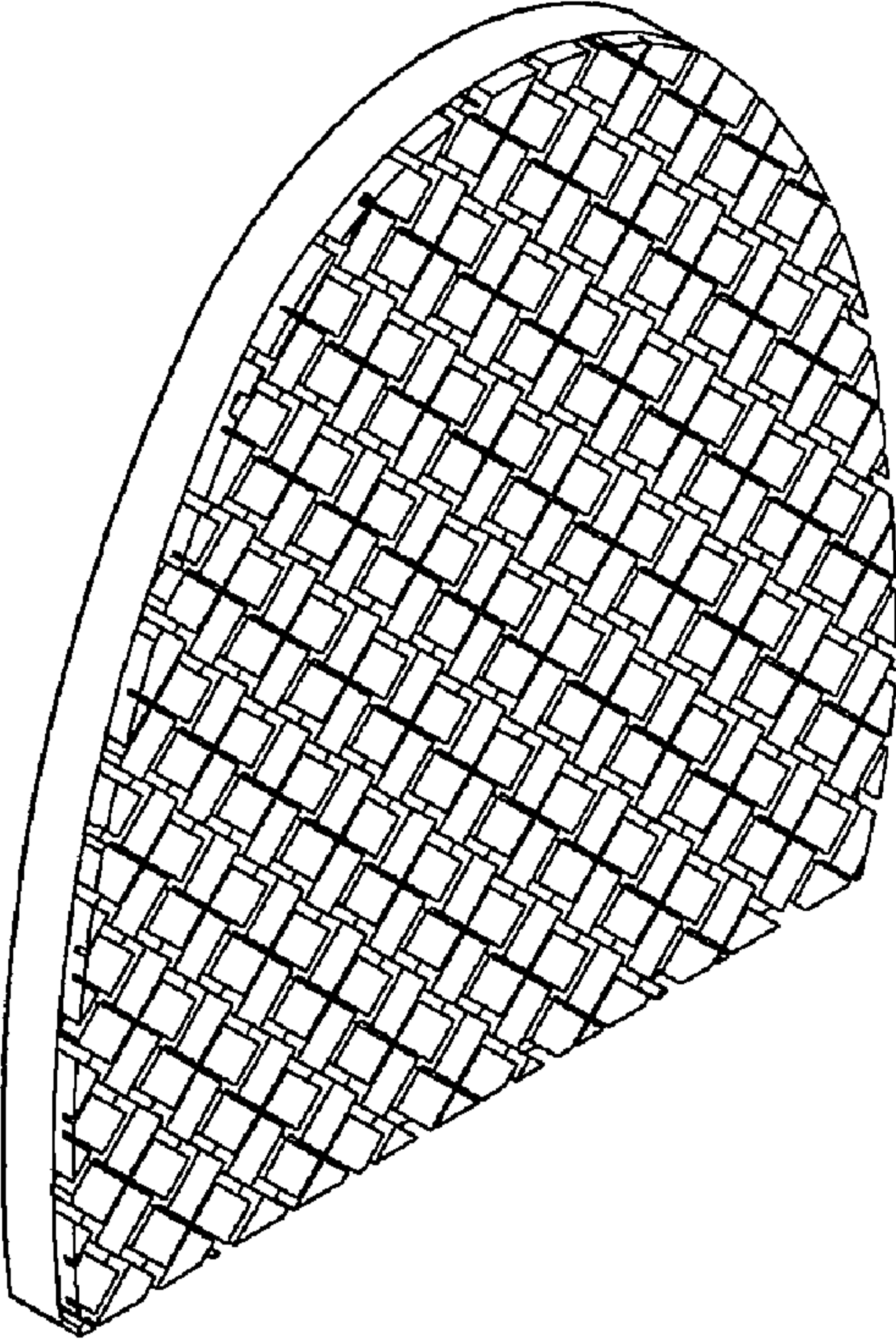


FIG. 1

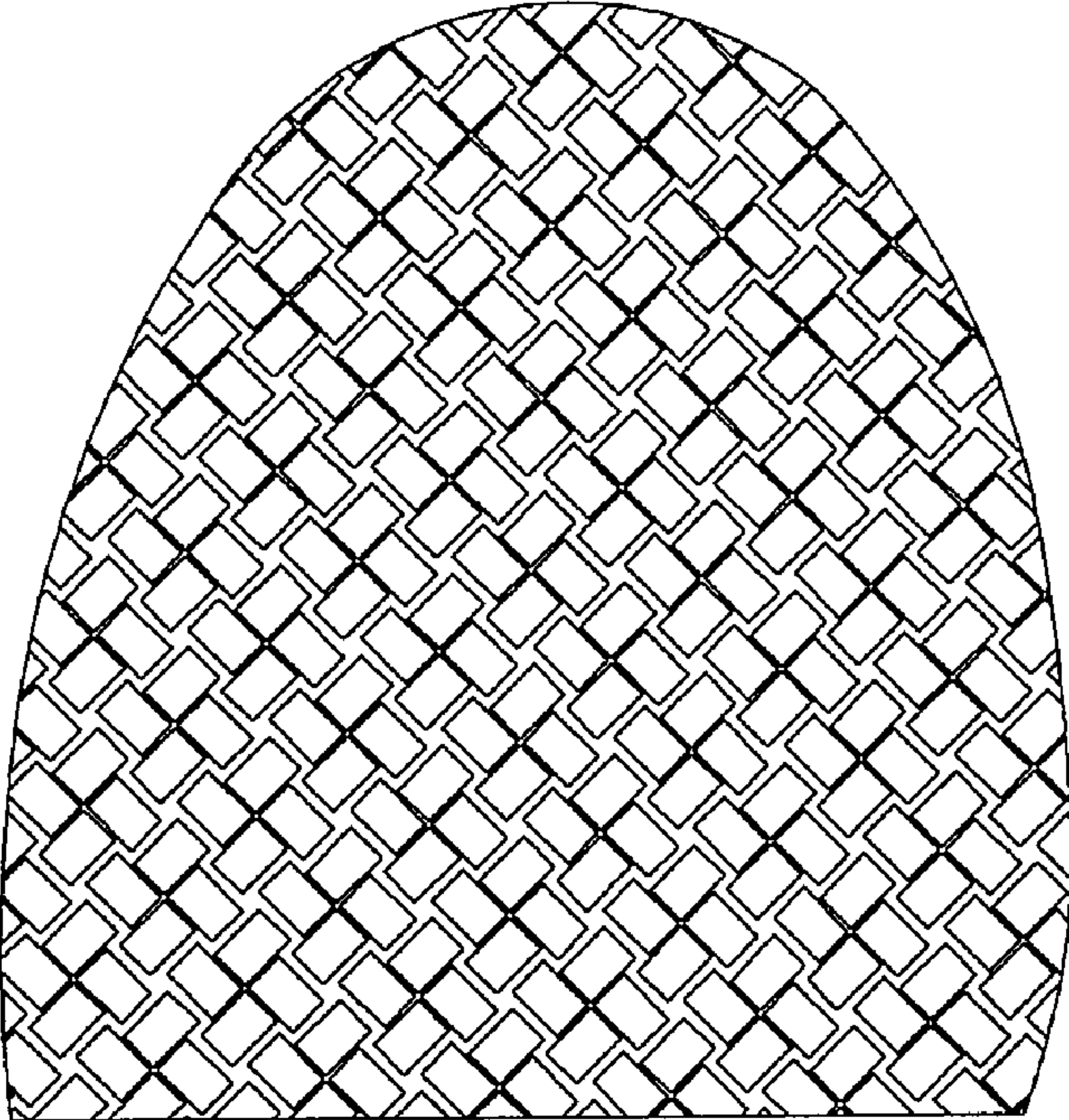


FIG. 2

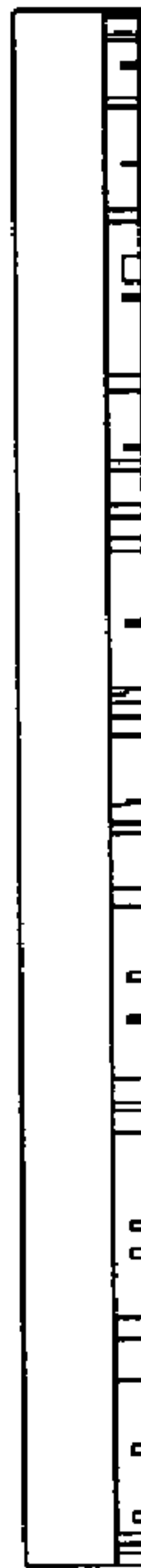


FIG. 3

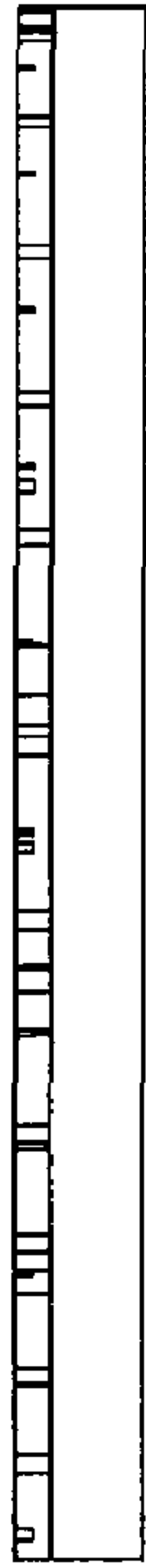


FIG. 4

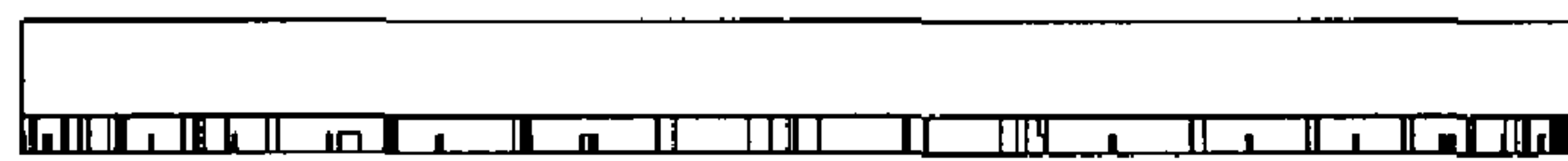


FIG. 5

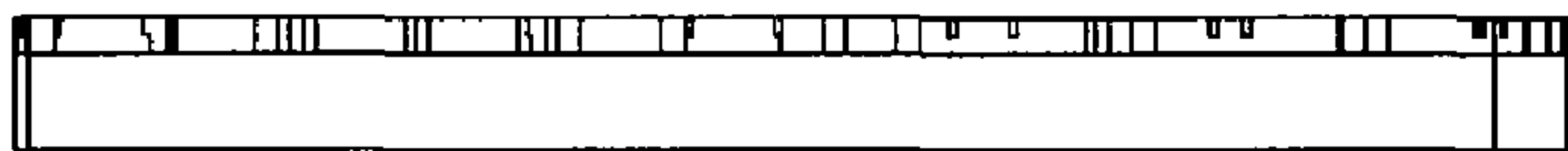
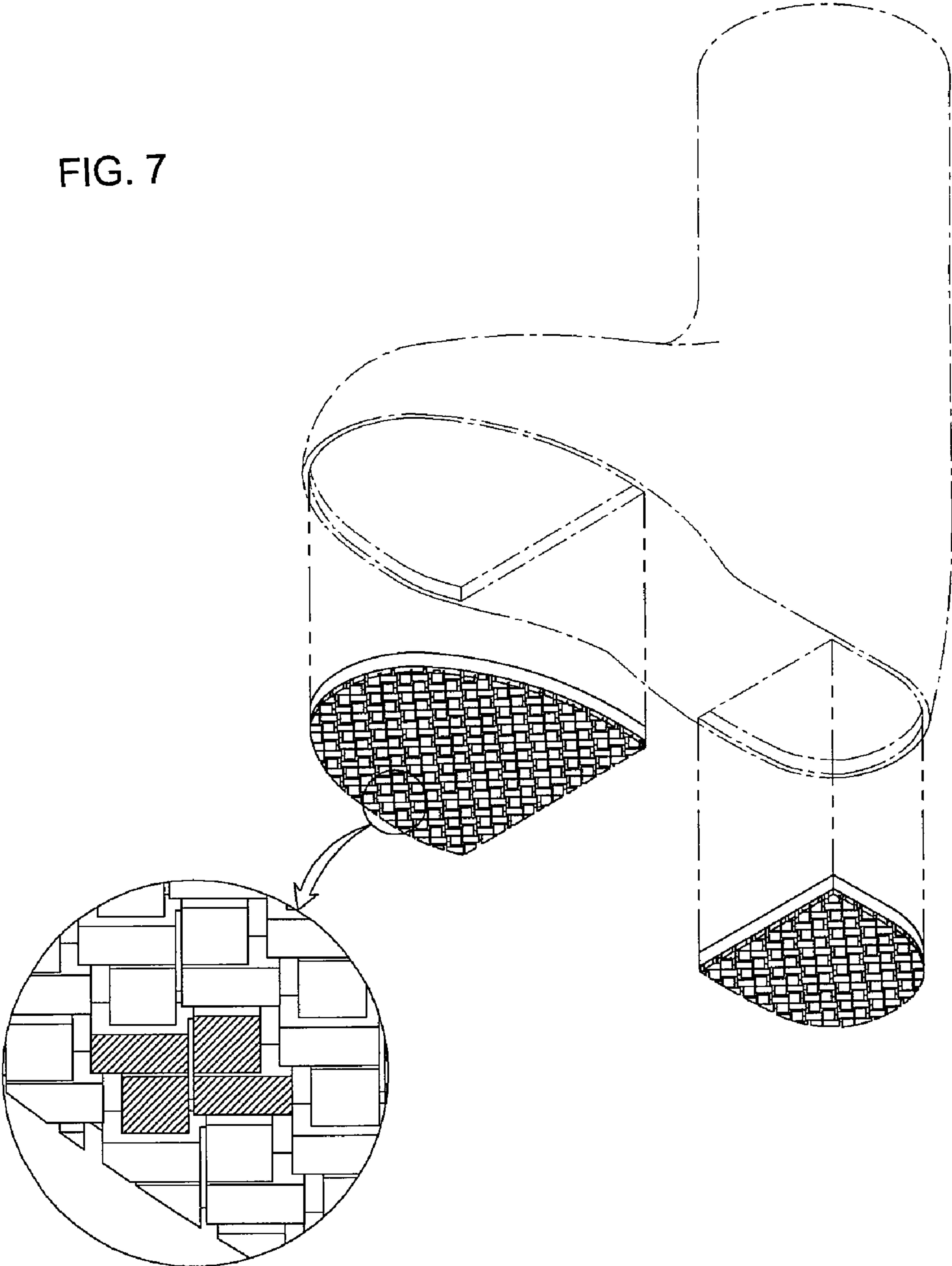


FIG. 6

FIG. 7



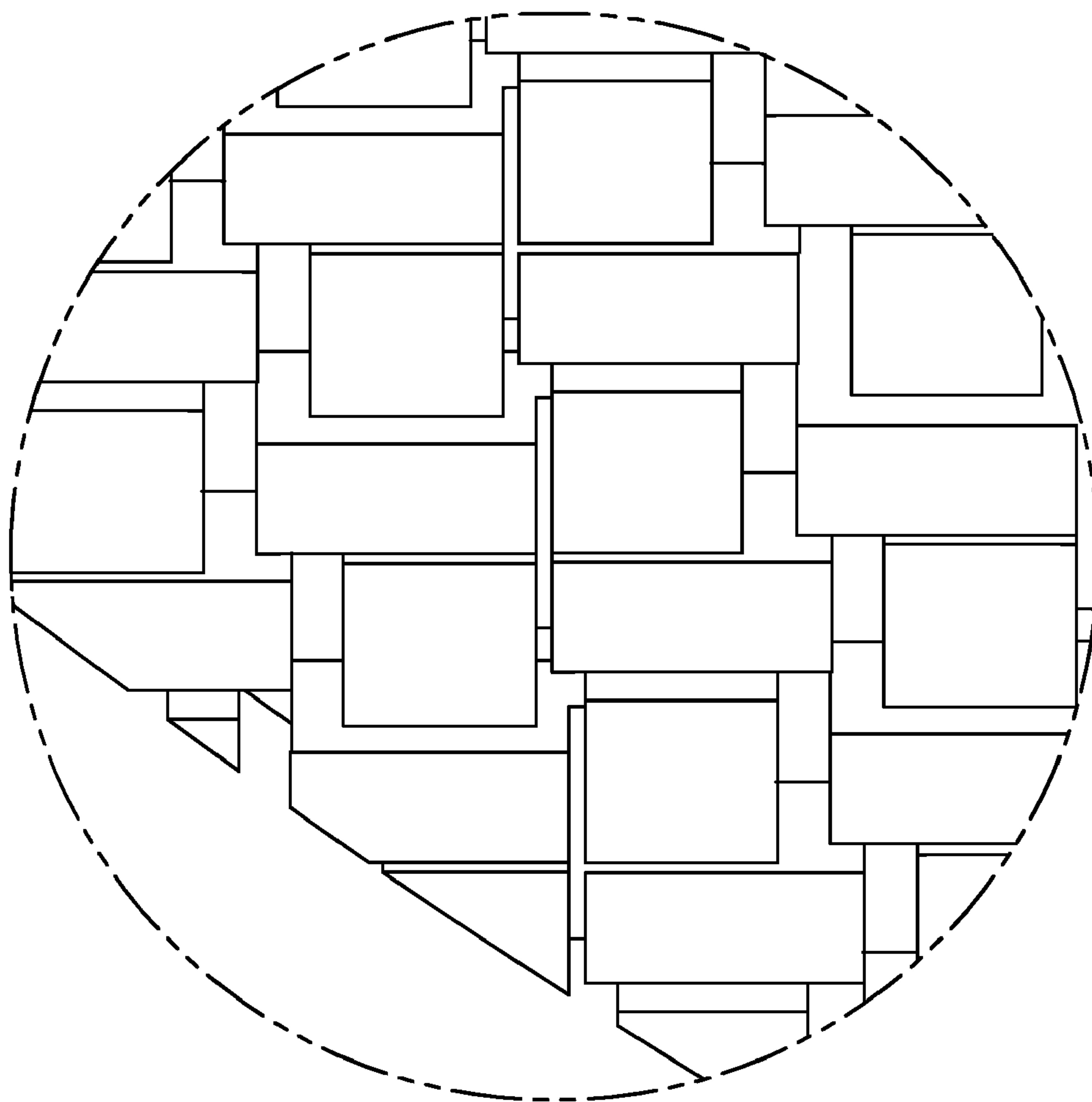


Fig. 8

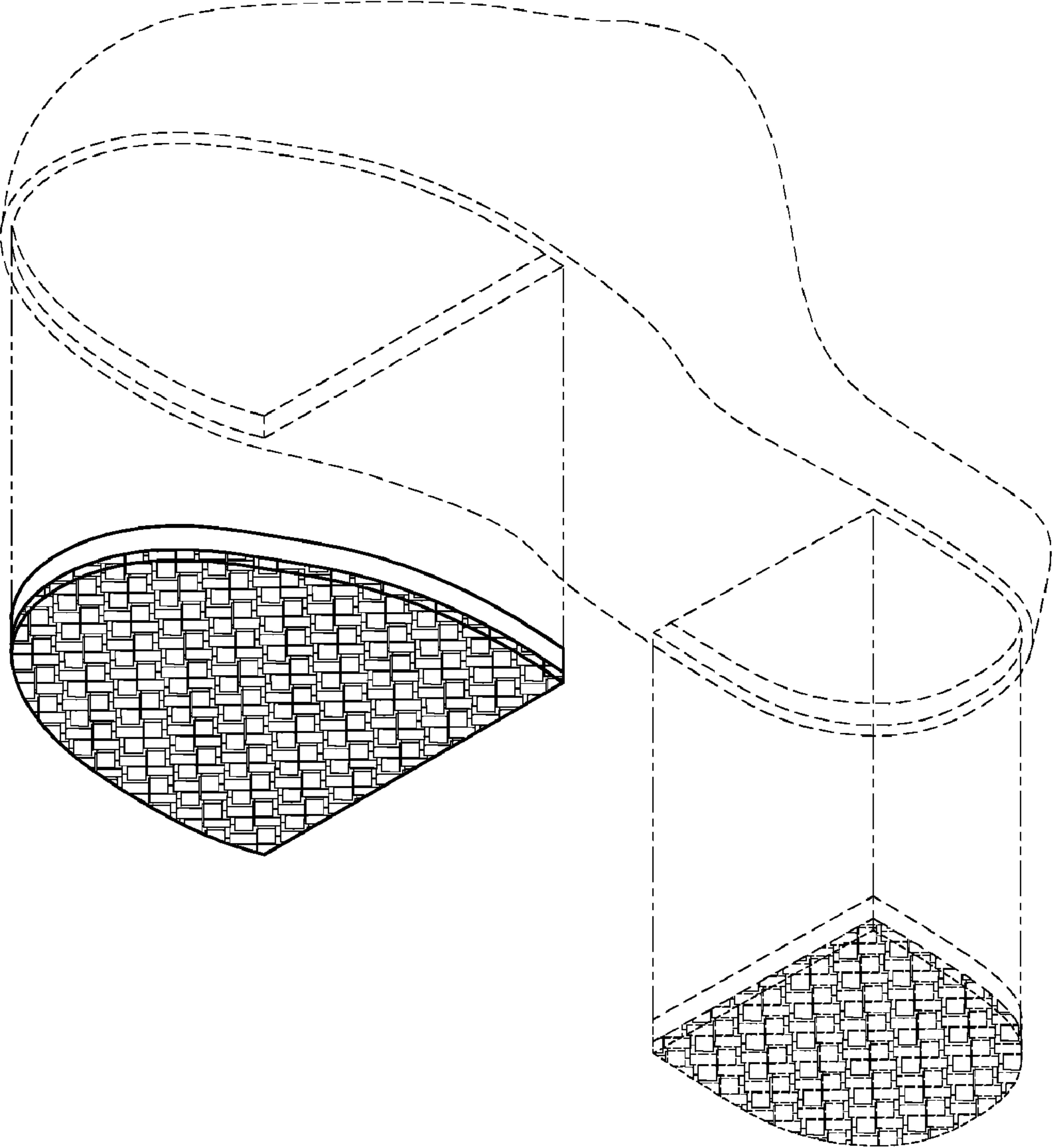


Fig. 9