



US00D653414S

(12) **United States Design Patent**  
**Genoa et al.**

(10) **Patent No.:** **US D653,414 S**  
(45) **Date of Patent:** **\*\* Jan. 31, 2012**

(54) **SURFACE CLEANING APPARATUS**

(75) Inventors: **Mark Genoa**, Dix Hills, NY (US); **Scott Genoa**, Merrick, NY (US)

(73) Assignee: **Genla Inc.**, Farmingdale, NY (US)

(\*\*) Term: **14 Years**

(21) Appl. No.: **29/377,256**

(22) Filed: **Oct. 19, 2010**

(51) **LOC (9) Cl.** ..... **15-05**

(52) **U.S. Cl.** ..... **D32/38**

(58) **Field of Classification Search** ..... D32/50,  
D32/51, 38-45, 21, 22, 32; 15/41.1, 42-46,  
15/48, 48.1, 79.1, 49.1, 50.3, 415.1; 16/DIG. 41  
See application file for complete search history.

(56) **References Cited**

**U.S. PATENT DOCUMENTS**

D312,154 S *	11/1990	Kuroda	.....	D32/38
D391,708 S	3/1998	Canavan et al.		
5,920,939 A *	7/1999	Worwag	.....	15/41.1
D456,966 S	5/2002	Paterson et al.		
D475,823 S	6/2003	Medema et al.		
D499,518 S	12/2004	Downey et al.		
D501,283 S	1/2005	Carr et al.		
D544,668 S *	6/2007	Harper et al.	.....	D32/51
D549,410 S *	8/2007	Orak et al.	.....	D32/38
D549,910 S	8/2007	Bouhuys		
D560,866 S	1/2008	Rosenzweig		

7,367,076 B2 *	5/2008	Makarov et al.	.....	15/41.1
D575,467 S *	8/2008	Paredes et al.	.....	D32/32
D575,917 S *	8/2008	Rosenzweig	.....	D32/39
D577,166 S *	9/2008	Rosenzweig	.....	D32/38
D581,616 S *	11/2008	Presnell	.....	D32/38
D581,617 S *	11/2008	Presnell	.....	D32/38
D599,066 S *	8/2009	Baker	.....	D32/38
D600,420 S *	9/2009	Dammkoehler	.....	D32/38
D626,301 S *	10/2010	Raven	.....	D32/38

\* cited by examiner

*Primary Examiner* — David Muller

(74) *Attorney, Agent, or Firm* — Holtz, Holtz, Goodman & Chick, PC

(57) **CLAIM**

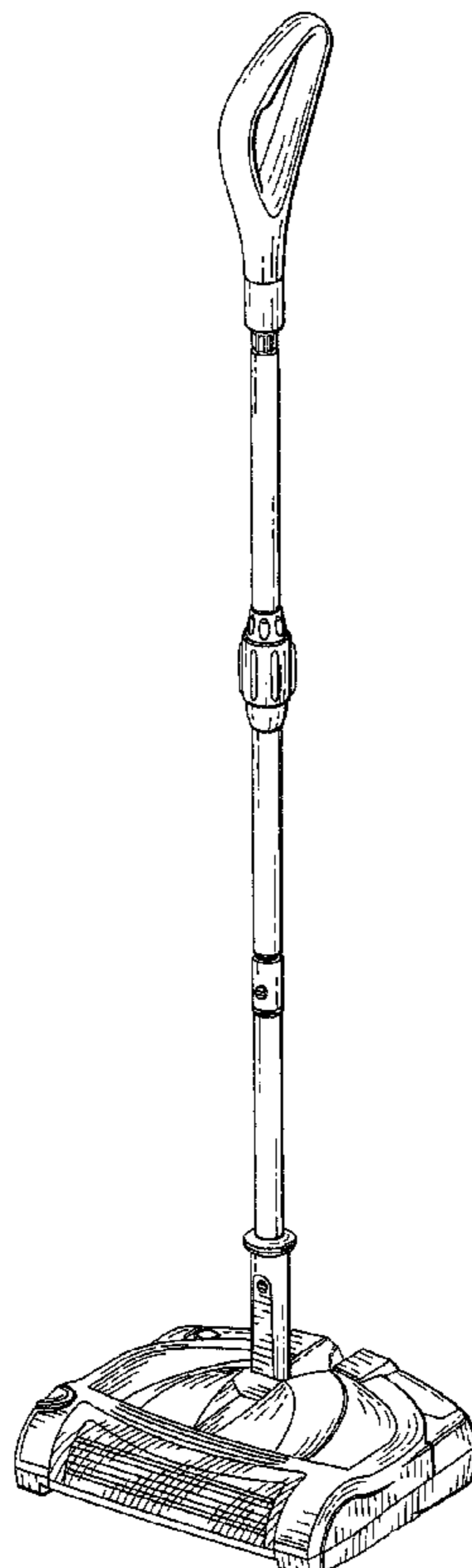
The ornamental design for a surface cleaning apparatus, as shown and described.

**DESCRIPTION**

FIG. 1 is a front, right side perspective view of a surface cleaning apparatus showing our new design; FIG. 2 is a left side view thereof; FIG. 3 is a front view thereof; FIG. 4 is a right side view thereof; FIG. 5 is a rear view thereof; FIG. 6 is a top view thereof; and, FIG. 7 is a bottom view thereof.

The broken line showing of parts of the drawings is included for the purpose of illustrating use and environment and forms no part of the claimed design.

**1 Claim, 3 Drawing Sheets**



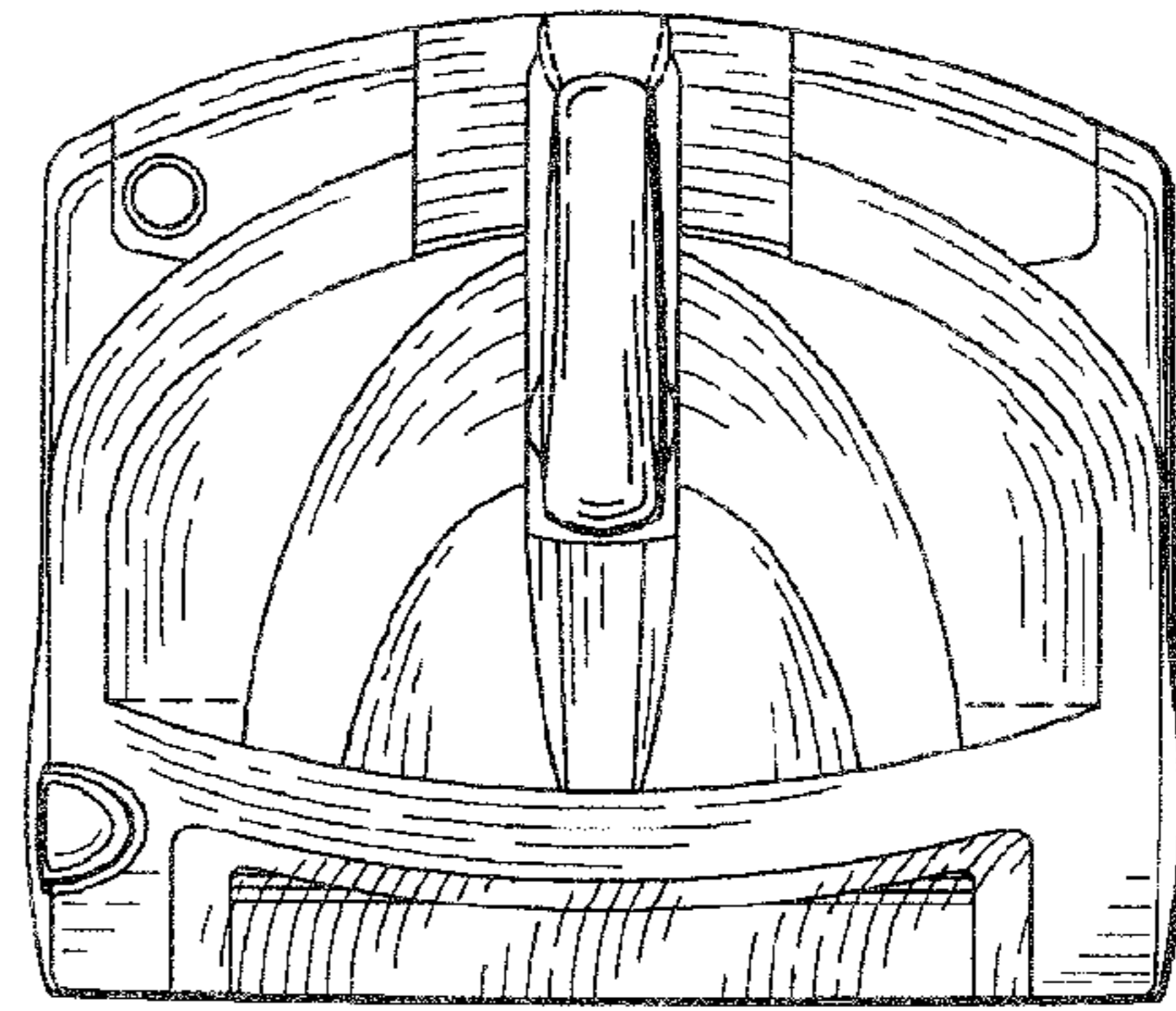
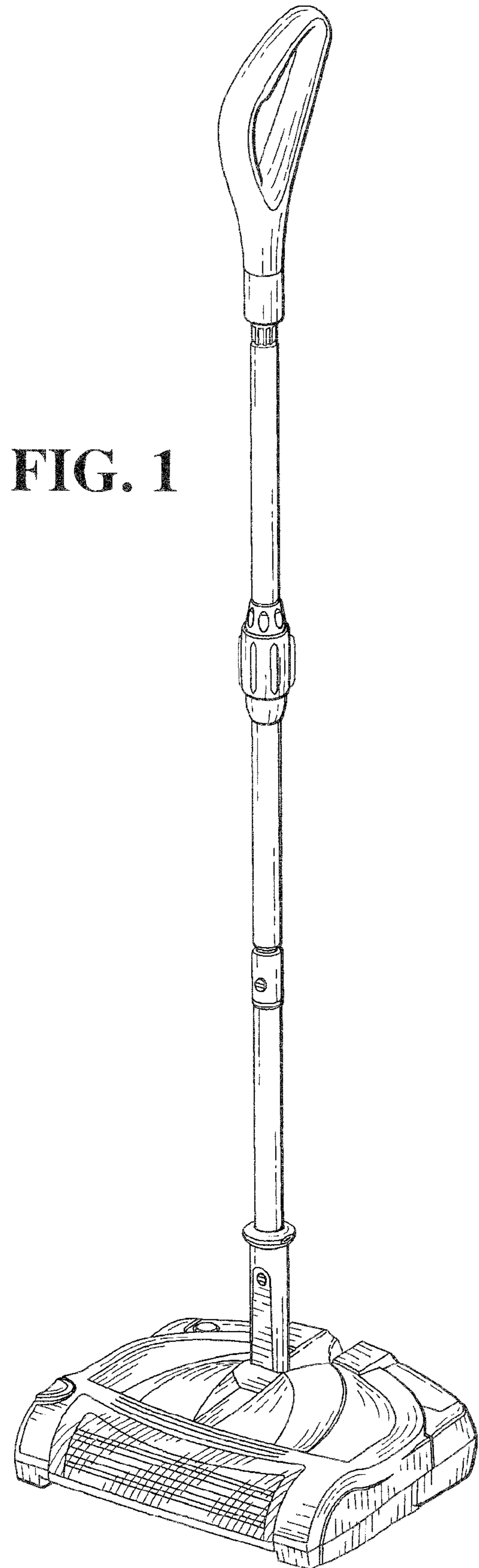


FIG. 6

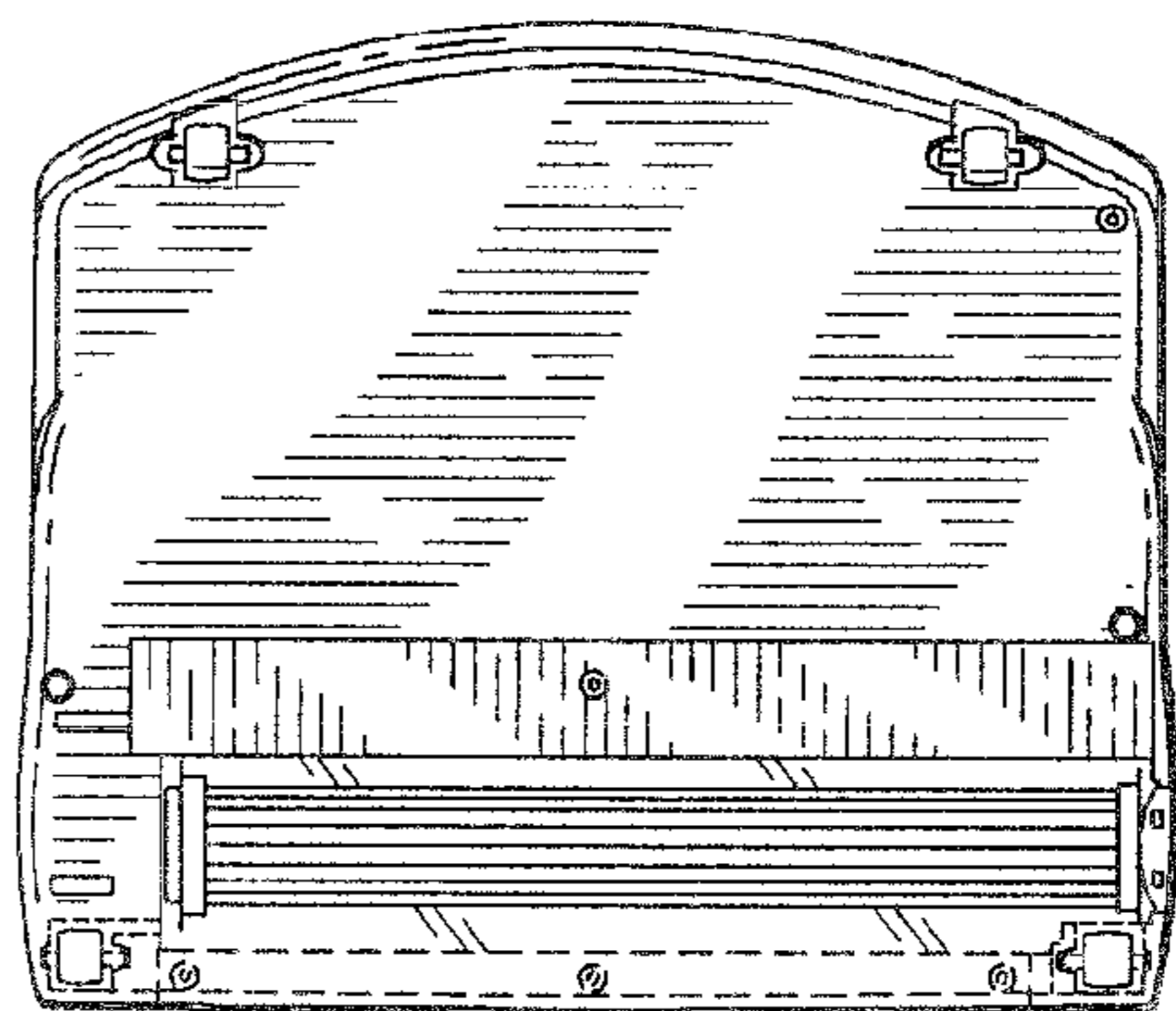


FIG. 7

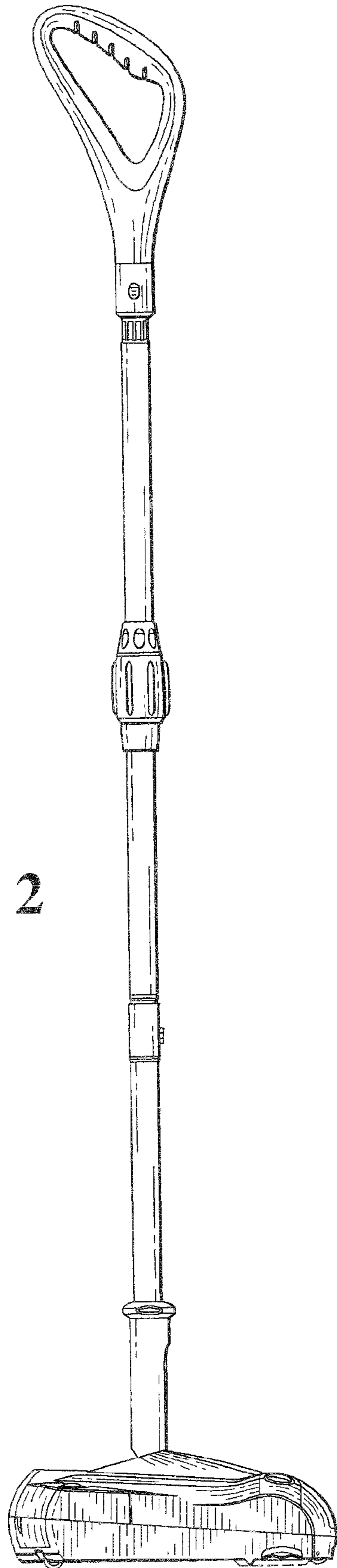


FIG. 2

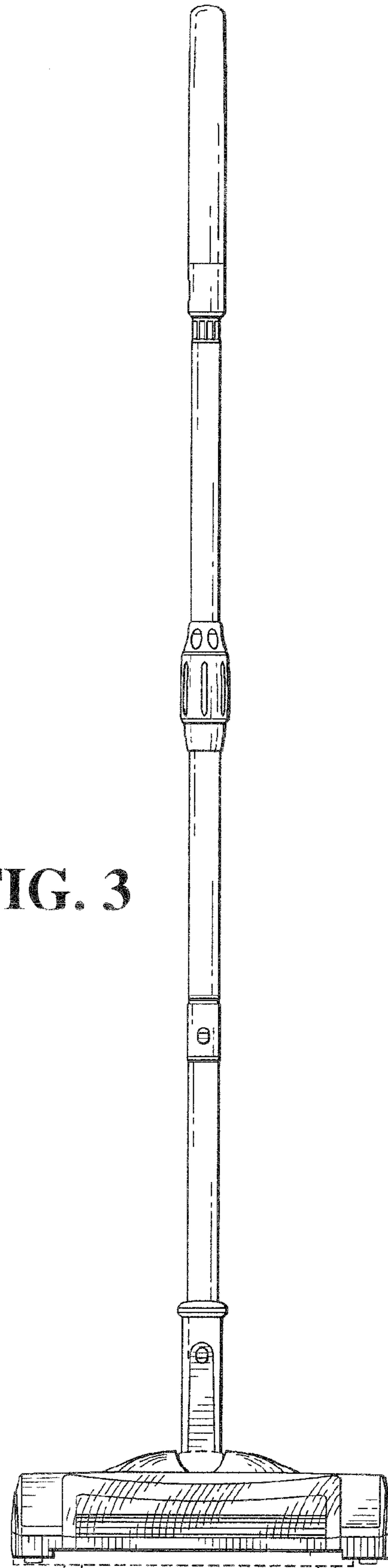


FIG. 3

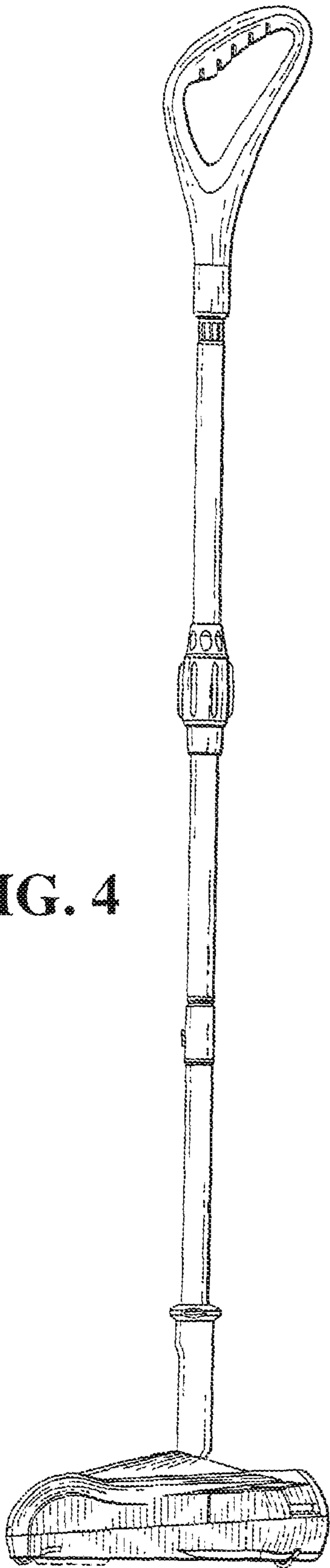


FIG. 4

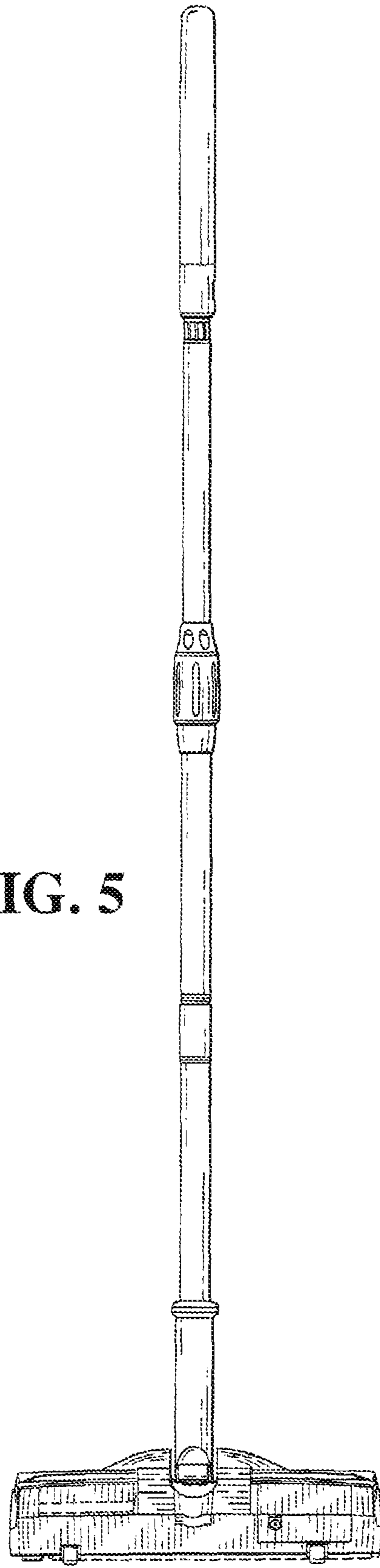


FIG. 5