



US00D653413S

(12) **United States Design Patent**
Wicks et al.

(10) **Patent No.:** **US D653,413 S**
(45) **Date of Patent:** **** Jan. 31, 2012**

(54) **COMBINED POOL CLEANER AND ATTACHMENT**

(76) Inventors: **Frederic Wicks**, Winter Park, FL (US);
Aaron D. Wicks, Orlando, FL (US)

(**) Term: **14 Years**

(21) Appl. No.: **29/373,224**

(22) Filed: **Mar. 22, 2011**

(51) **LOC (9) Cl.** **15-05**

(52) **U.S. Cl.** **D32/21**

(58) **Field of Classification Search** D32/1,
D32/21; 15/1.7, 408-409; 210/416.2

See application file for complete search history.

(56) **References Cited**

U.S. PATENT DOCUMENTS

D177,633	S	*	5/1956	Pansini	D32/32
3,008,160	A	*	11/1961	West	15/1.7
3,102,289	A	*	9/1963	Norris	15/1.7
3,961,393	A	*	6/1976	Pansini	15/1.7
4,003,100	A	*	1/1977	Whitaker	15/1.7
4,240,173	A	*	12/1980	Sherrill	15/1.7
D261,655	S	*	11/1981	Pansini	D32/32
4,649,589	A	*	3/1987	Dibb	15/1.7
5,048,140	A	*	9/1991	Wu	15/1.7
D349,150	S	*	7/1994	Garrigos Ruiz	D23/209
5,336,403	A	*	8/1994	Marbach	210/167.17
D358,235	S	*	5/1995	Brooks et al.	D32/1
5,418,994	A	*	5/1995	Rissik et al.	15/1.7
5,469,596	A	*	11/1995	Rief et al.	15/1.7
5,720,068	A	*	2/1998	Clark et al.	15/1.7
5,768,734	A	*	6/1998	Dietrich	15/1.7
5,799,351	A	*	9/1998	Rief et al.	15/1.7
D409,341	S	*	5/1999	Van Etten et al.	D32/25

D421,512	S	*	3/2000	Campbell	D32/1
6,098,228	A	*	8/2000	Chang	15/1.7
D432,206	S	*	10/2000	Stoltz et al.	D23/209
D468,067	S	*	12/2002	Stoltz et al.	D32/15
D490,195	S	*	5/2004	Rod	D32/1
7,328,473	B2	*	2/2008	Deklinski	15/1.7
D629,486	S	*	12/2010	Rossano et al.	D23/208
D630,810	S	*	1/2011	Bruneel	D32/21

OTHER PUBLICATIONS

Leaf Bagger, Leaf Master, Control the Leaves. <http://www.epoolshop.com/leafbaggerleafmastercontroltheleaves.aspx>.

Retrieved from the Internet on Jul. 7, 2011.*

Replacement Parts for the Leaf Master. Retrieved from Internet: "http://www.aqua-man.com/schematic.asp?kc=S924&s=full".

Retrieved on Sep. 29, 2011.*

* cited by examiner

Primary Examiner — Ruth McInroy

(74) *Attorney, Agent, or Firm* — William M. Hobby, III

(57) **CLAIM**

The ornamental design for a combined pool cleaner and attachment, as shown.

DESCRIPTION

FIG. 1 is a top and right side perspective view of a combined pool cleaner and attachment showing our new design;

FIG. 2 is a front side elevation thereof;

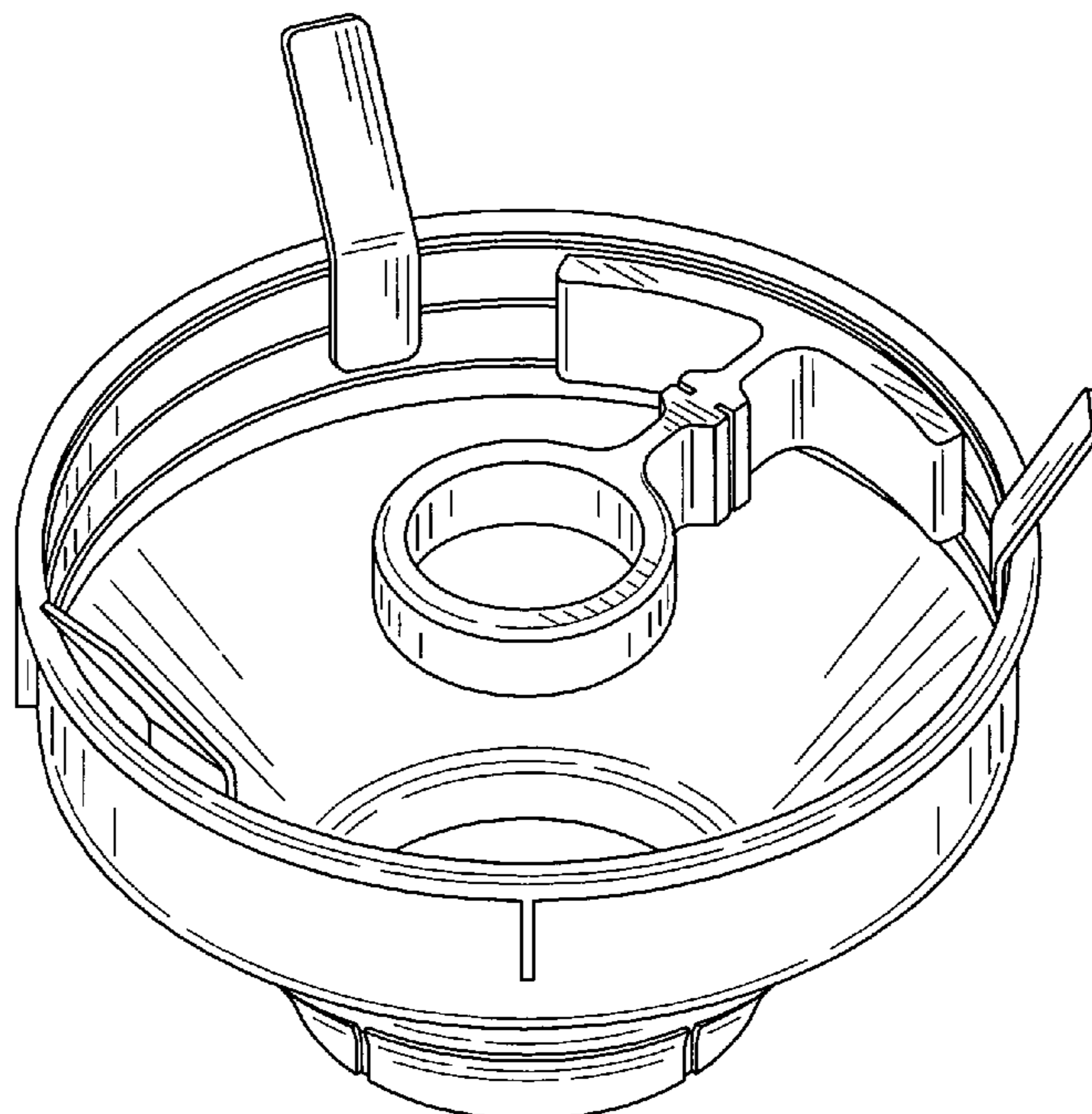
FIG. 3 is a rear side elevation thereof;

FIG. 4 is a left side elevation thereof, the right side elevation being a mirror image thereof;

FIG. 5 is a top plan view; and,

FIG. 6 is a bottom plan view.

1 Claim, 3 Drawing Sheets



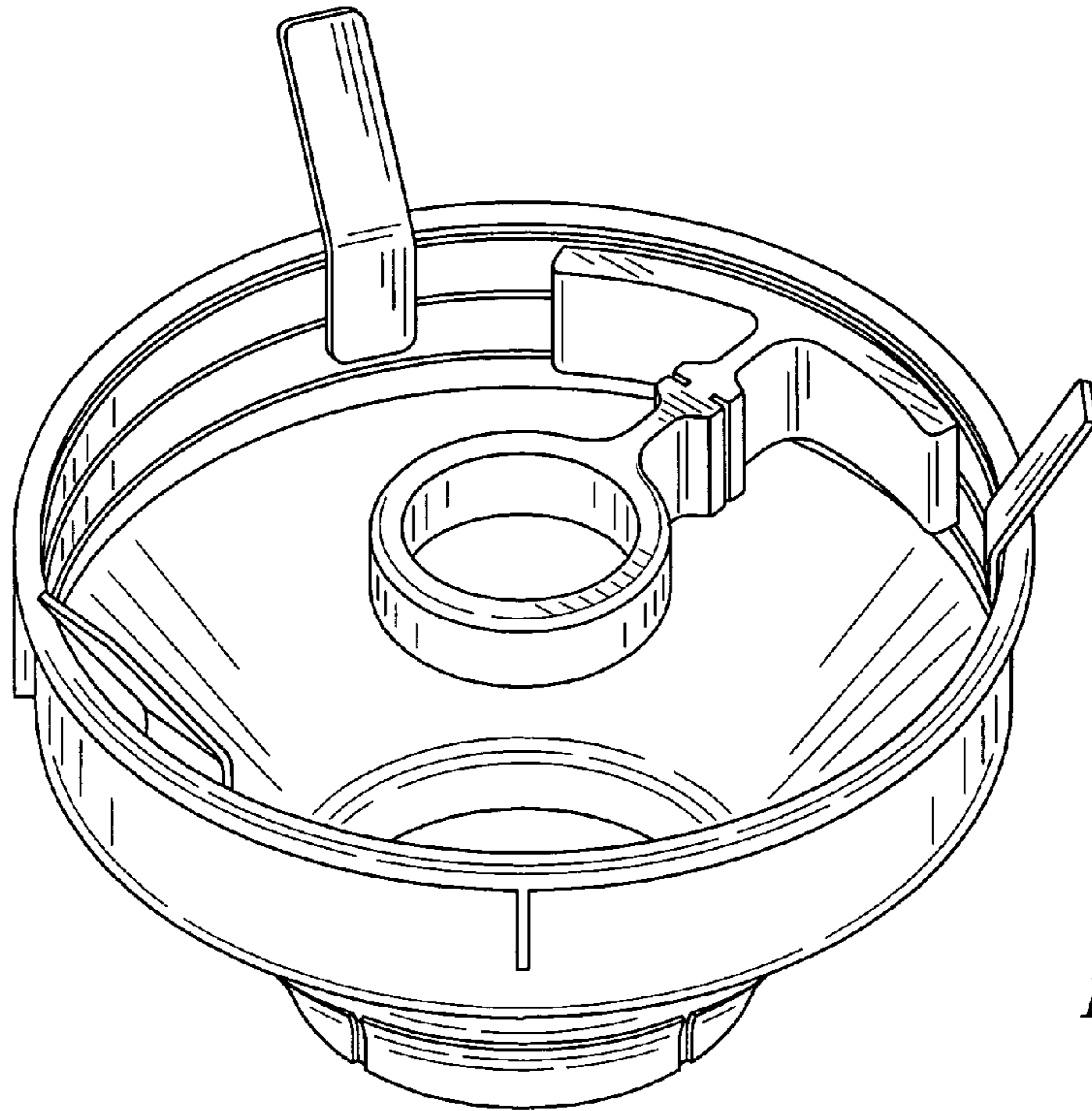


FIG. 1

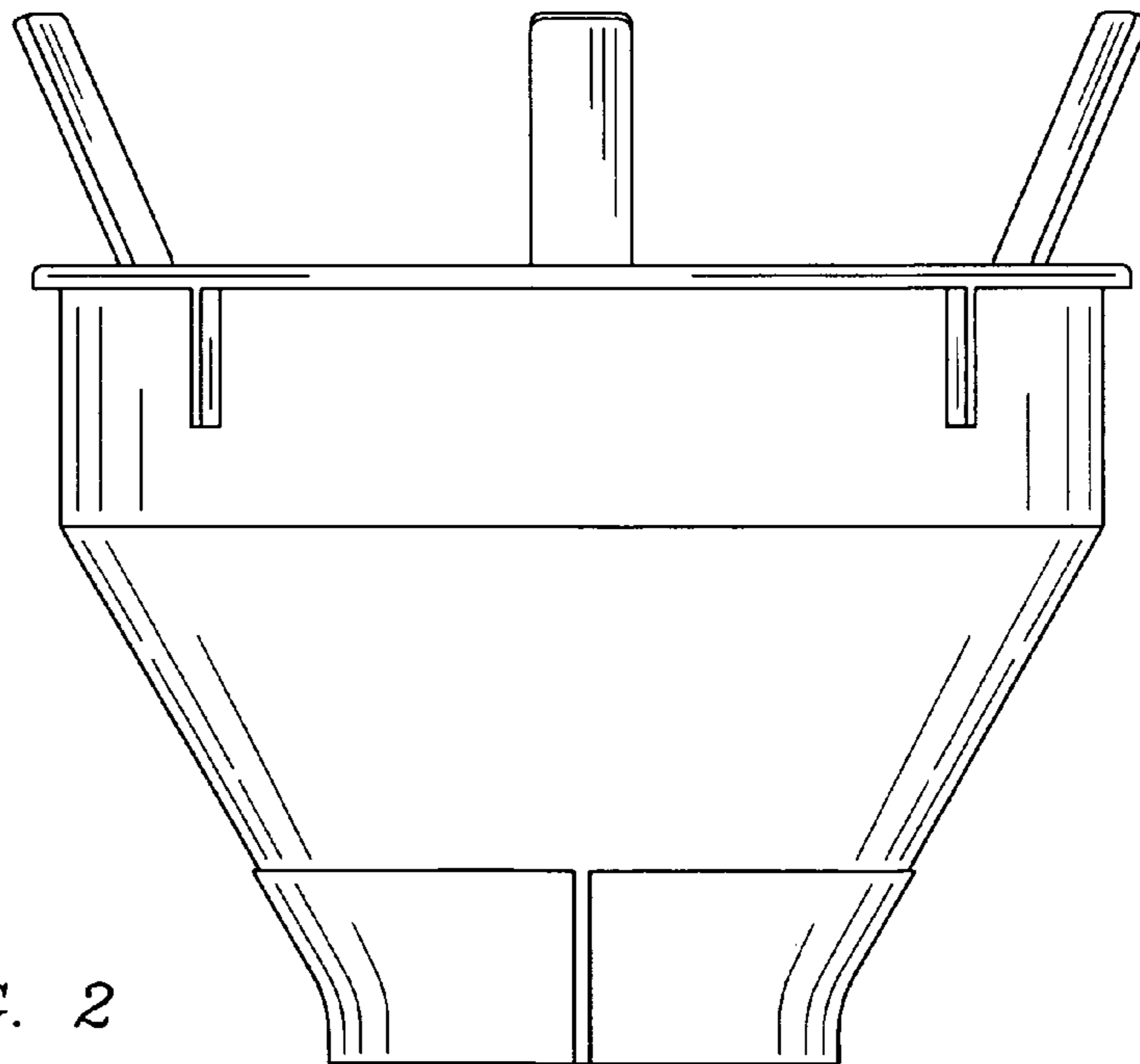


FIG. 2

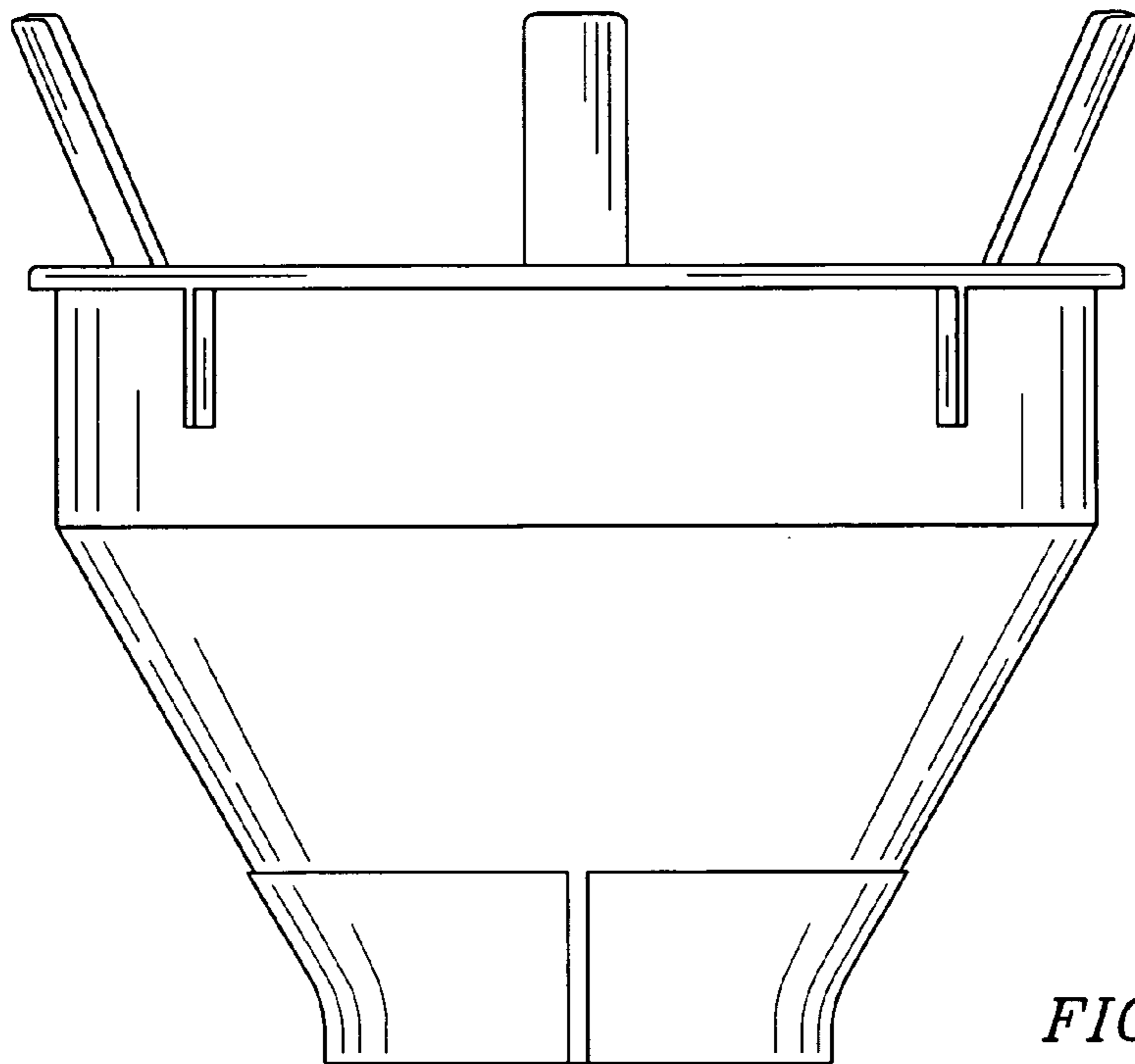


FIG. 3

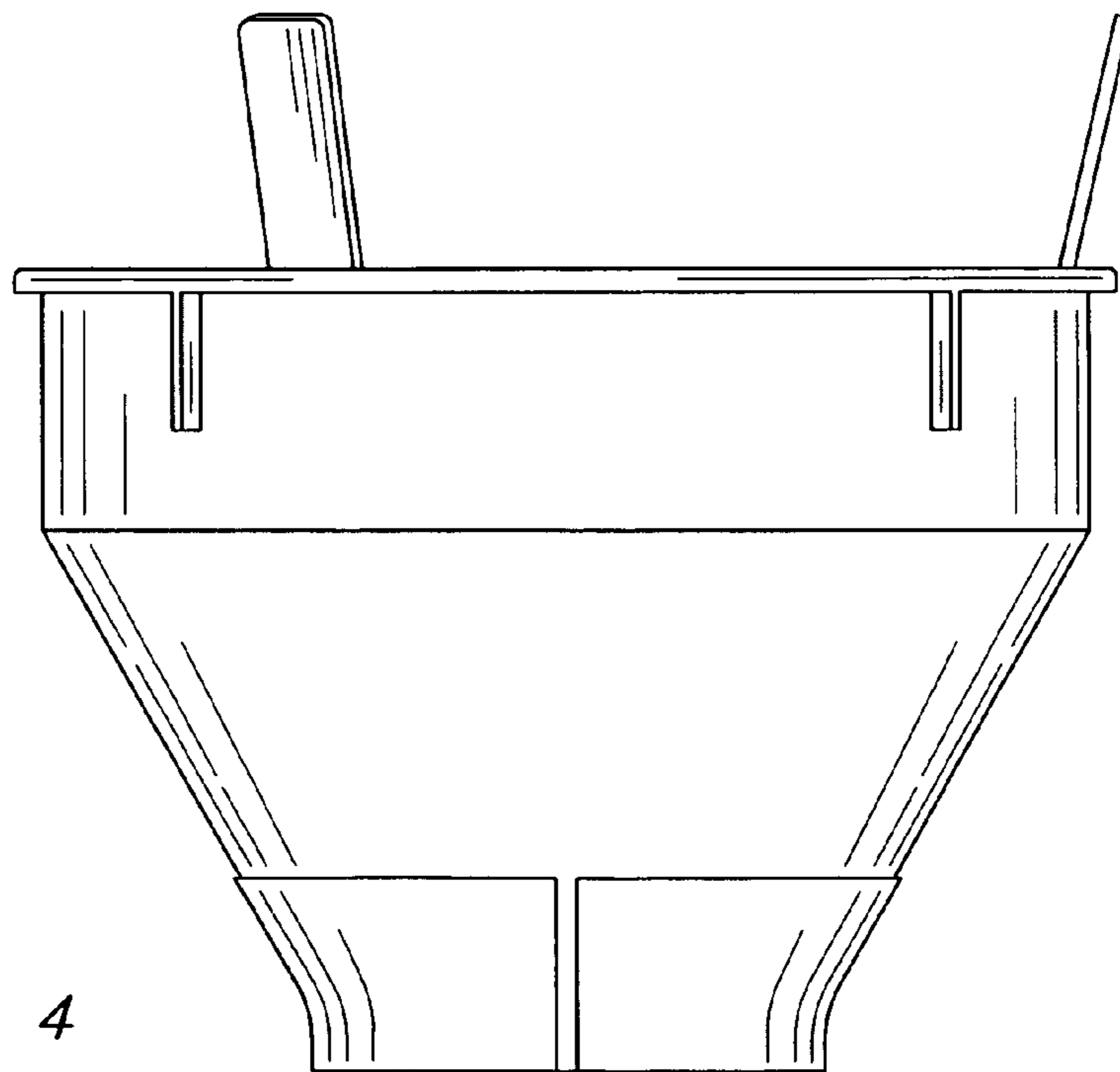


FIG. 4

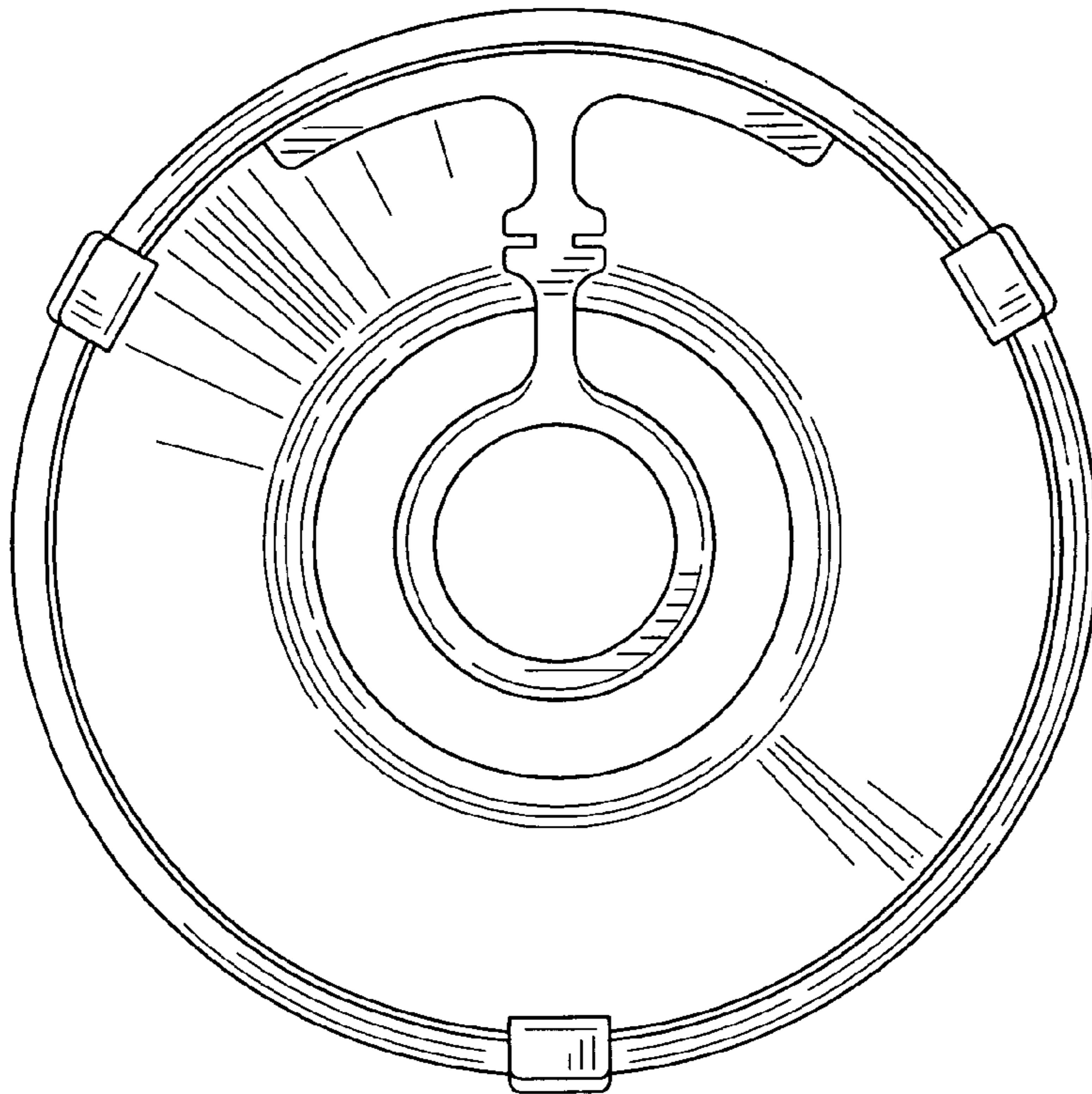


FIG. 5

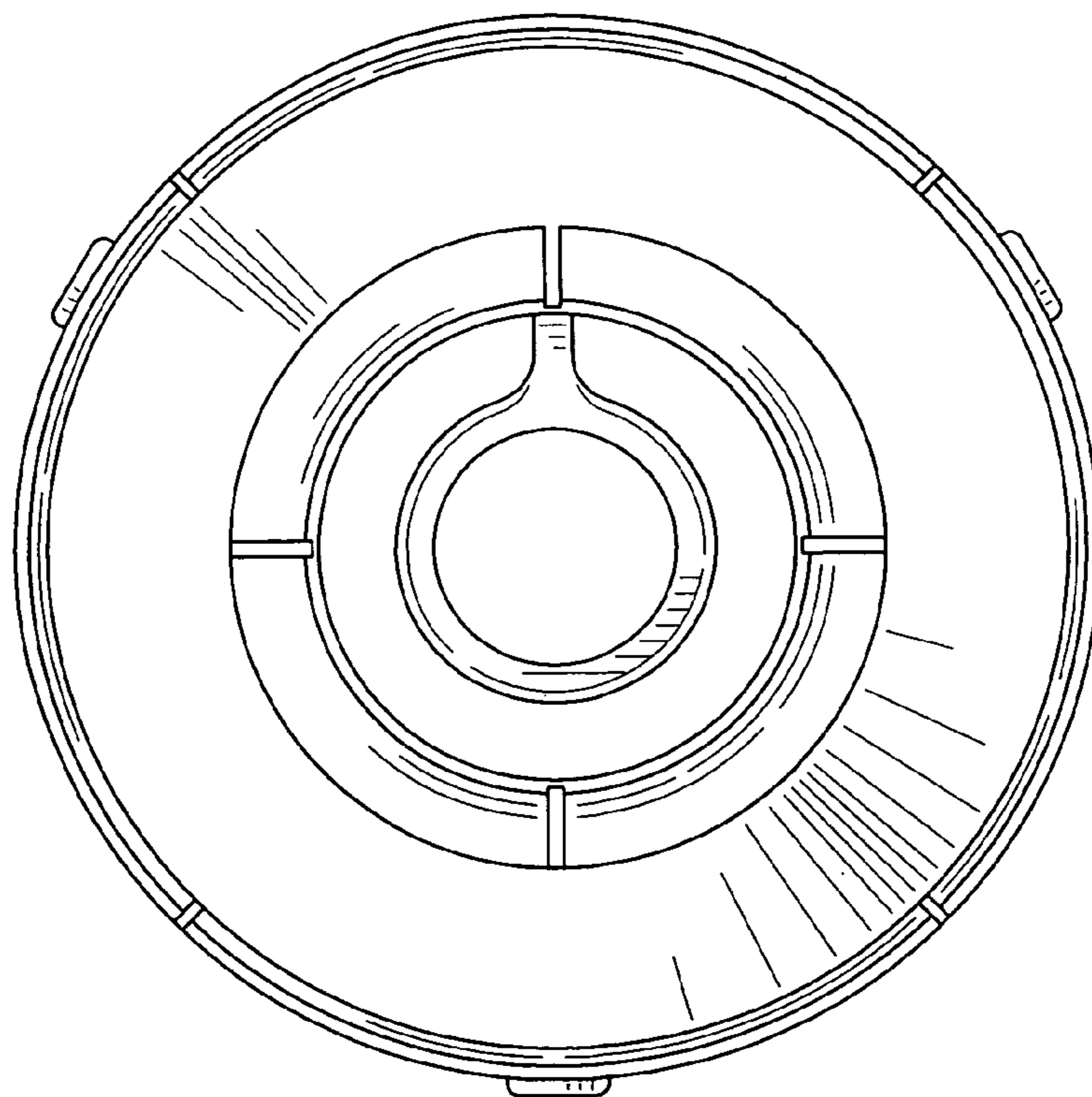


FIG. 6