



US00D653412S

(12) **United States Design Patent**
Choi et al.

(10) **Patent No.:** **US D653,412 S**

(45) **Date of Patent:** **** Jan. 31, 2012**

(54) **VACUUM CLEANER**

(75) Inventors: **Gyoo Sang Choi**, Seoul (KR);
Gwanwoo Shin, Kyungki-Do (KR)

(73) Assignee: **Samsung Electronics Co., Ltd.**,
Suwon-si (KR)

(**) Term: **14 Years**

(21) Appl. No.: **29/368,174**

(22) Filed: **Aug. 19, 2010**

(51) **LOC (9) Cl.** **15-05**

(52) **U.S. Cl.** **D32/21**

(58) **Field of Classification Search** D32/21–24,
D32/31; 15/327.1–327.7, 329, 412, 320–321;
55/DIG. 3, 345, 357, 429, 271; 95/271
See application file for complete search history.

(56) **References Cited**

U.S. PATENT DOCUMENTS

D391,700 S *	3/1998	Hughes	D32/21
D394,528 S *	5/1998	Pochopien et al.	D32/21
D503,250 S *	3/2005	Choi	D32/21
D559,482 S *	1/2008	Jansson et al.	D32/21

D596,814 S *	7/2009	Macleod et al.	D32/21
D597,713 S *	8/2009	Brown et al.	D32/21
D599,512 S *	9/2009	Lee et al.	D32/21
D600,415 S *	9/2009	Svantesson	D32/21
D617,963 S *	6/2010	Ayers	D32/21

* cited by examiner

Primary Examiner — Ruth McInroy

(74) *Attorney, Agent, or Firm* — Ladas & Parry LLP

(57) **CLAIM**

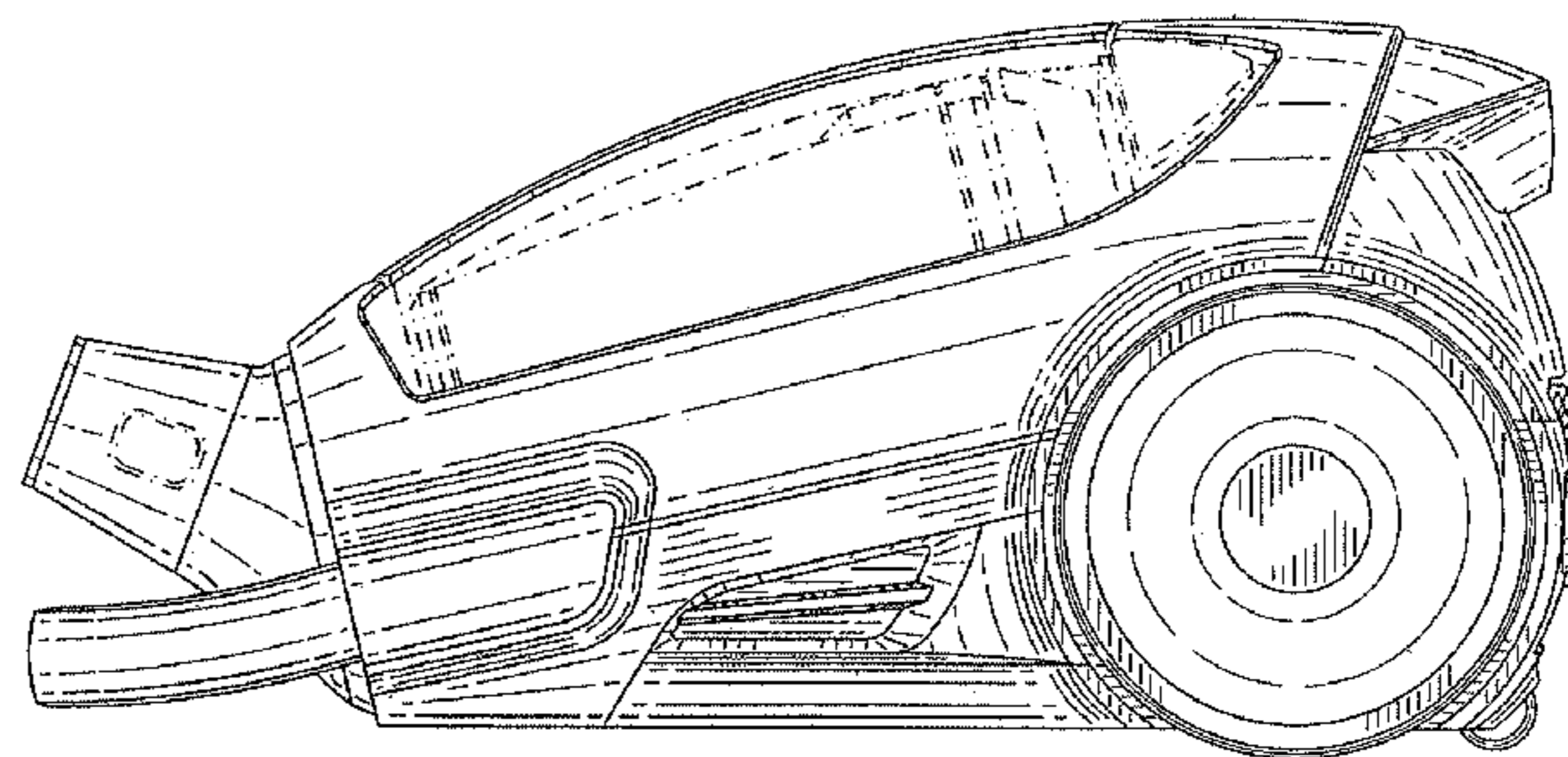
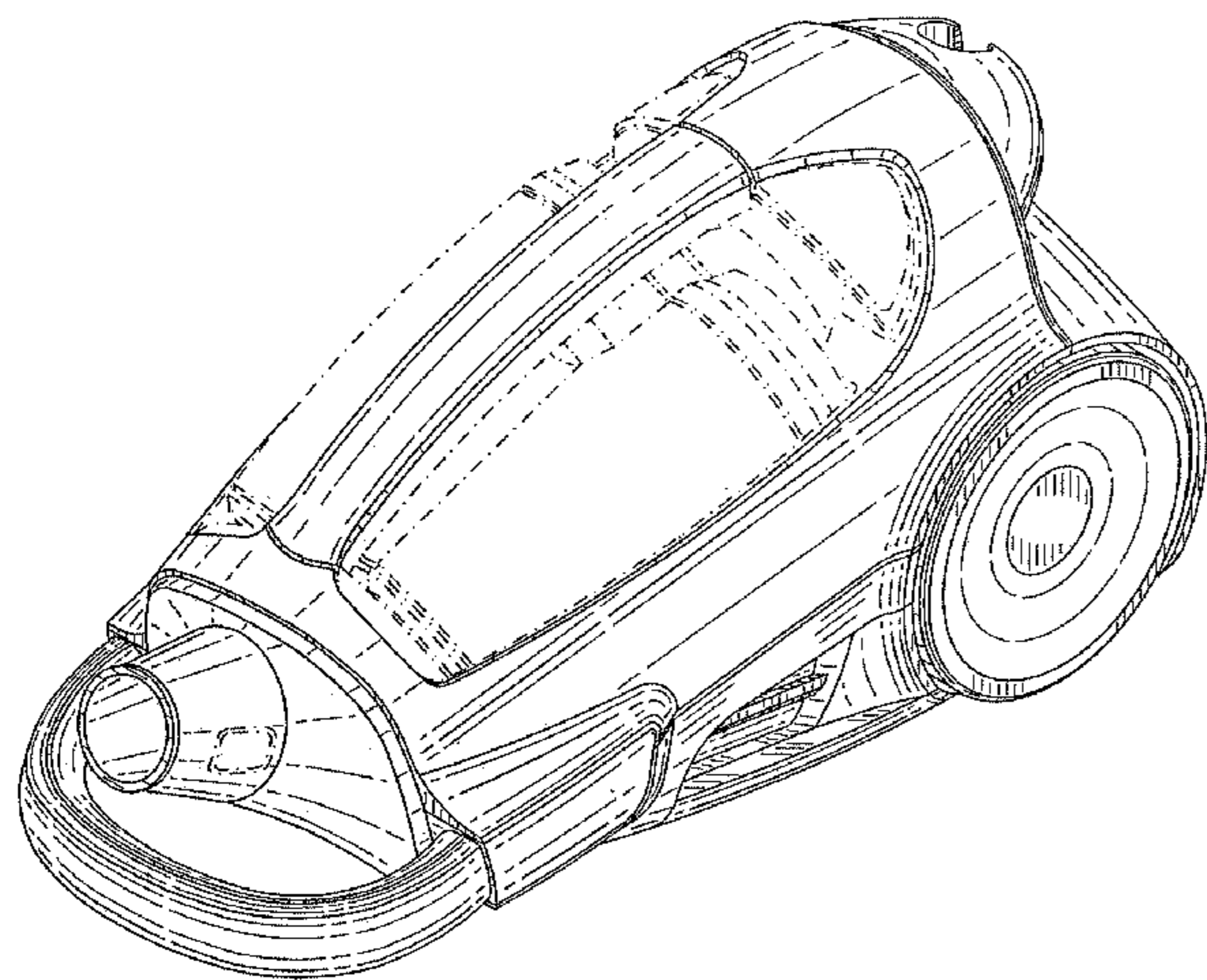
We claim the ornamental design for a vacuum cleaner, as shown and described.

DESCRIPTION

FIG. 1 is a top, front and right-side perspective view of a vacuum cleaner showing our new design; FIG. 2 is a front elevational view thereof; FIG. 3 is a rear elevational view thereof; FIG. 4 is a left-side elevational view thereof; FIG. 5 is a right-side elevational view thereof; FIG. 6 is a top plan view thereof; and, FIG. 7 is a bottom plan view thereof.

The upper surface of the vacuum cleaner includes transparent portions.

1 Claim, 5 Drawing Sheets



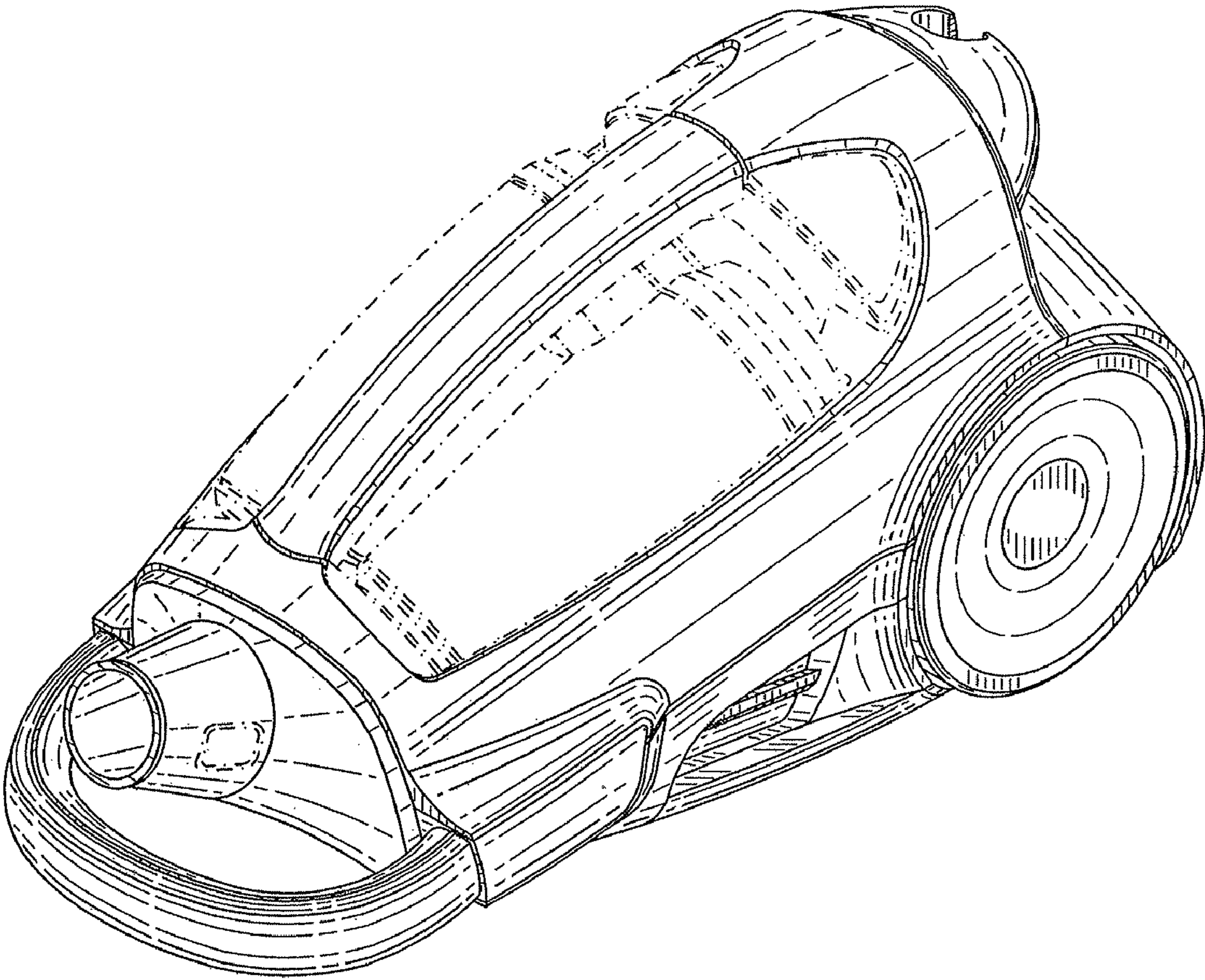


FIG. 1

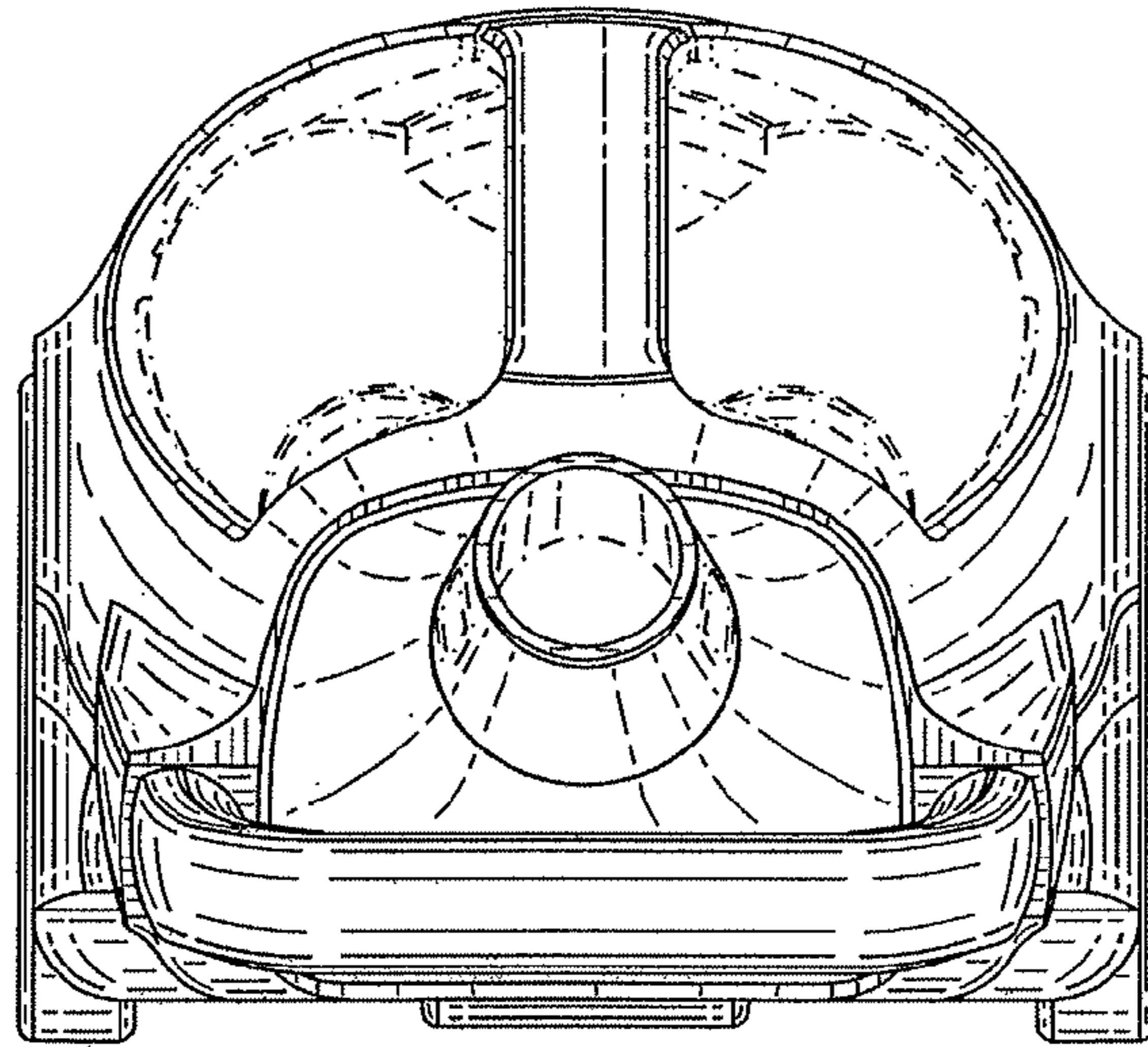


FIG. 2

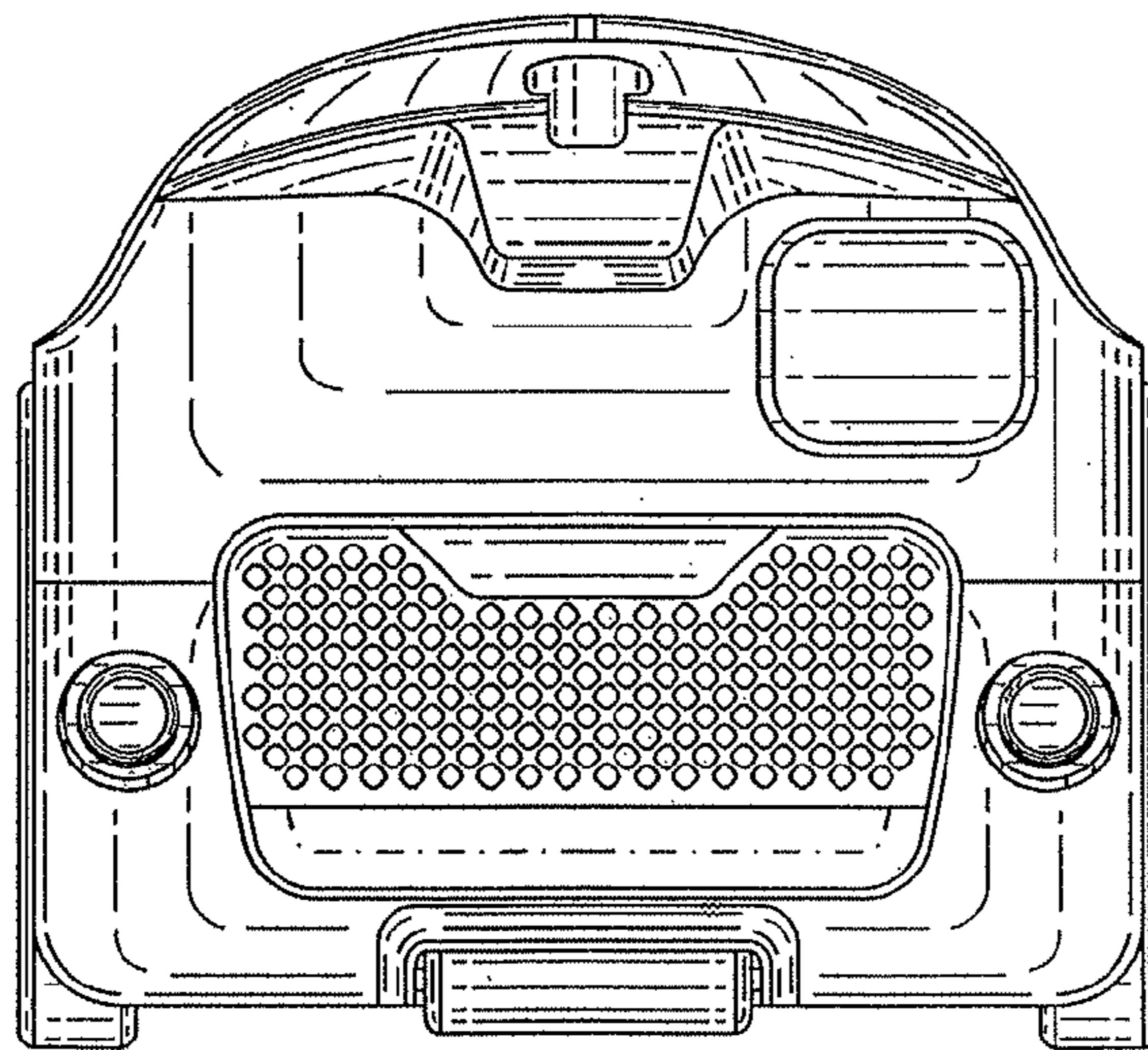


FIG. 3

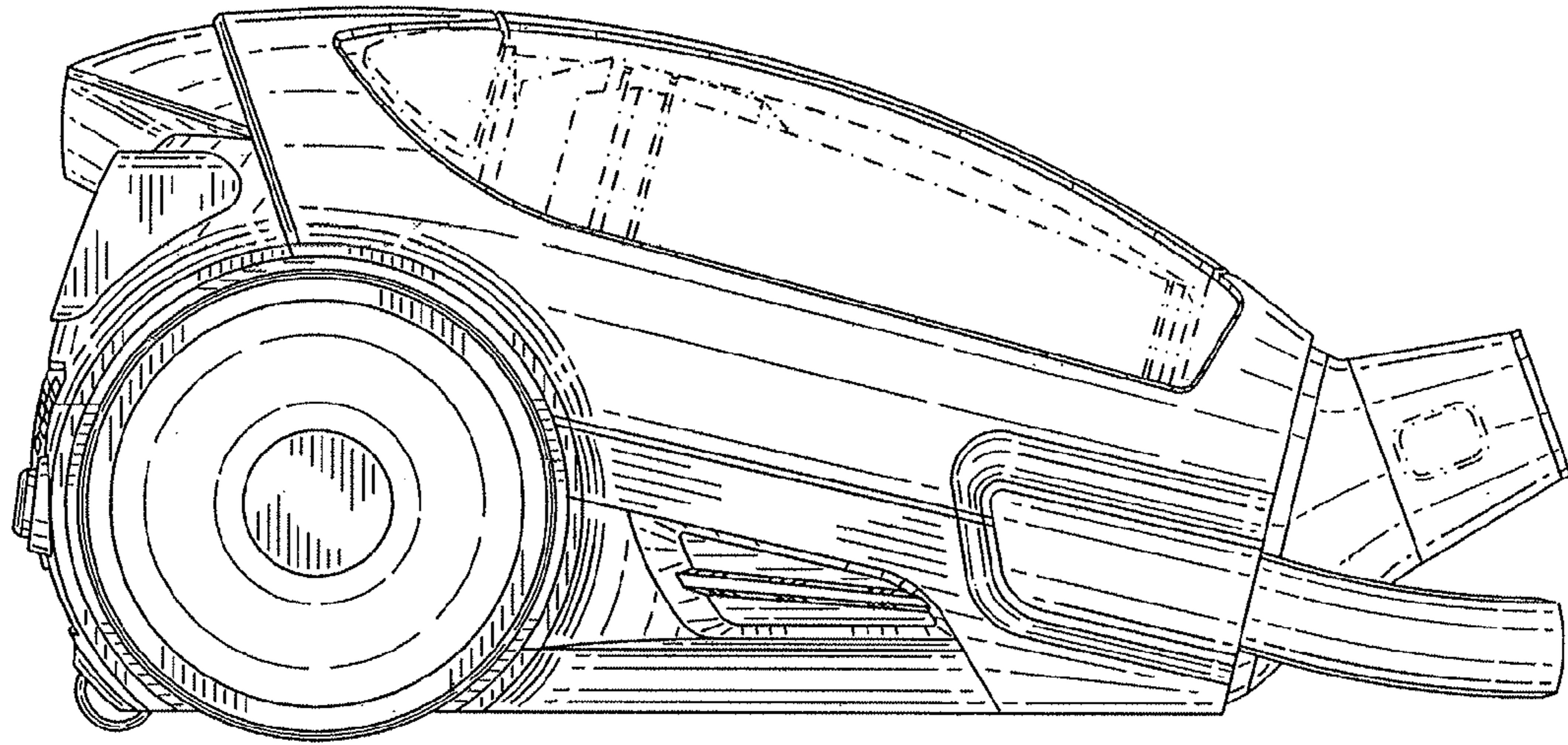


FIG. 4

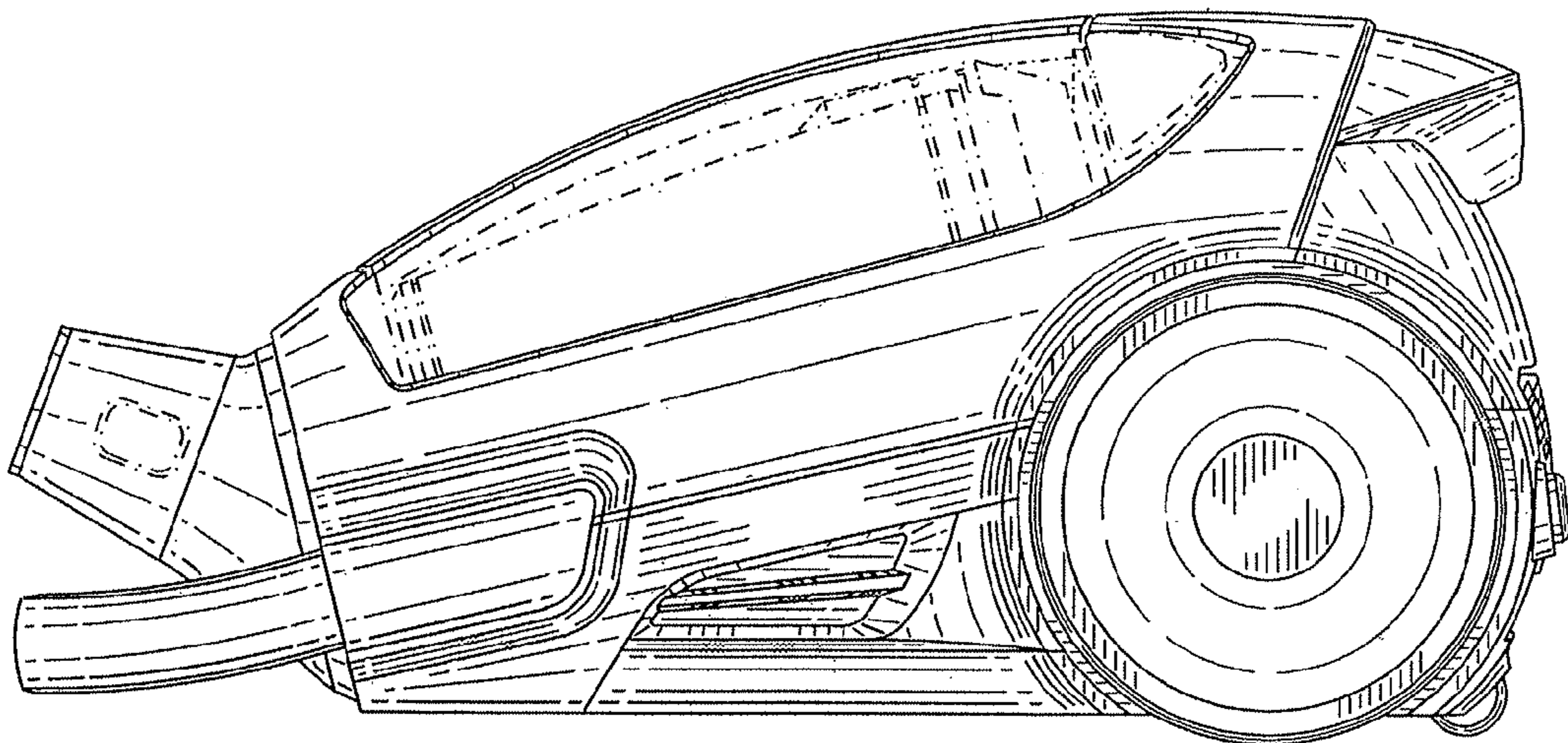


FIG. 5

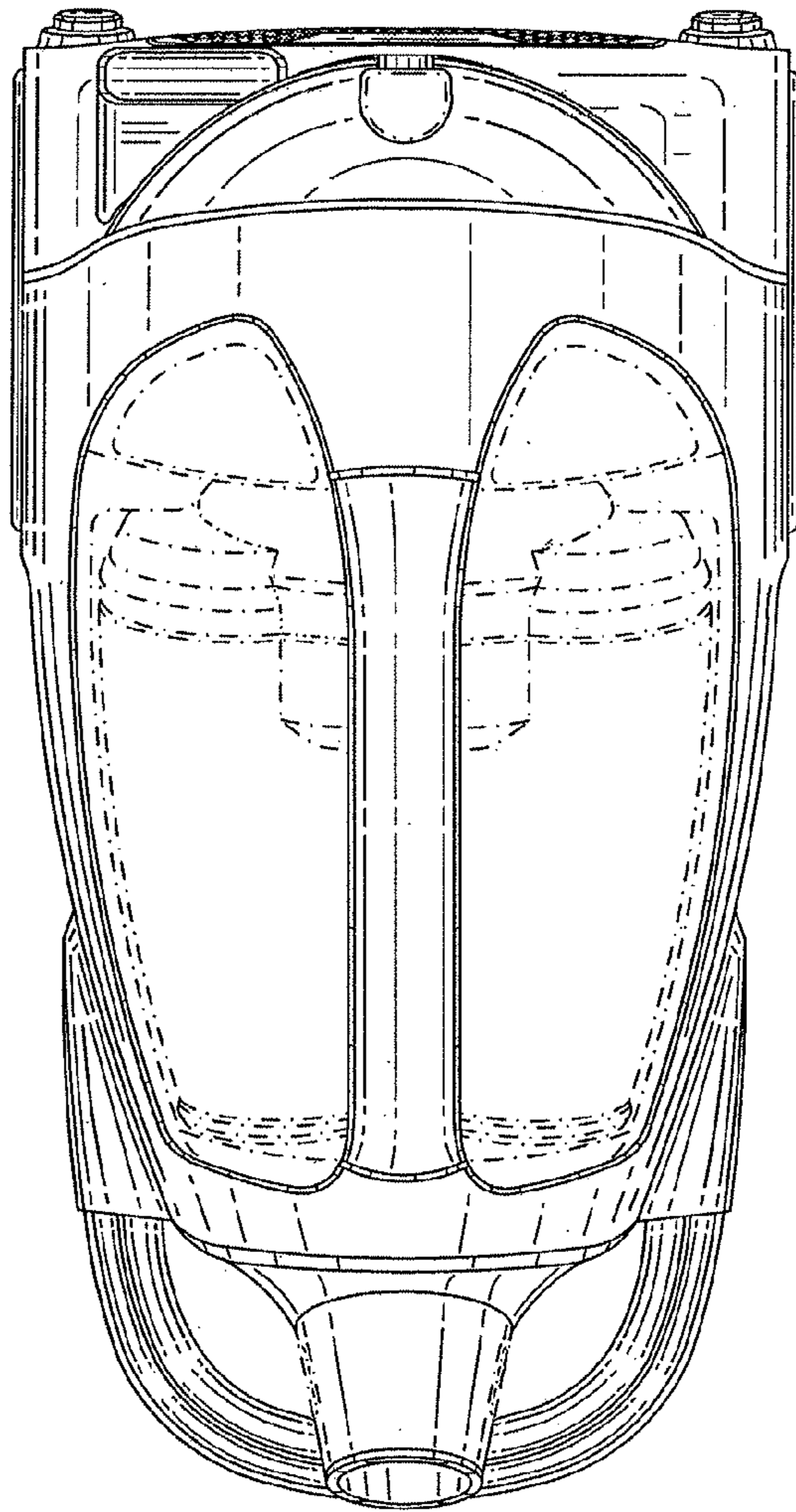


FIG. 6

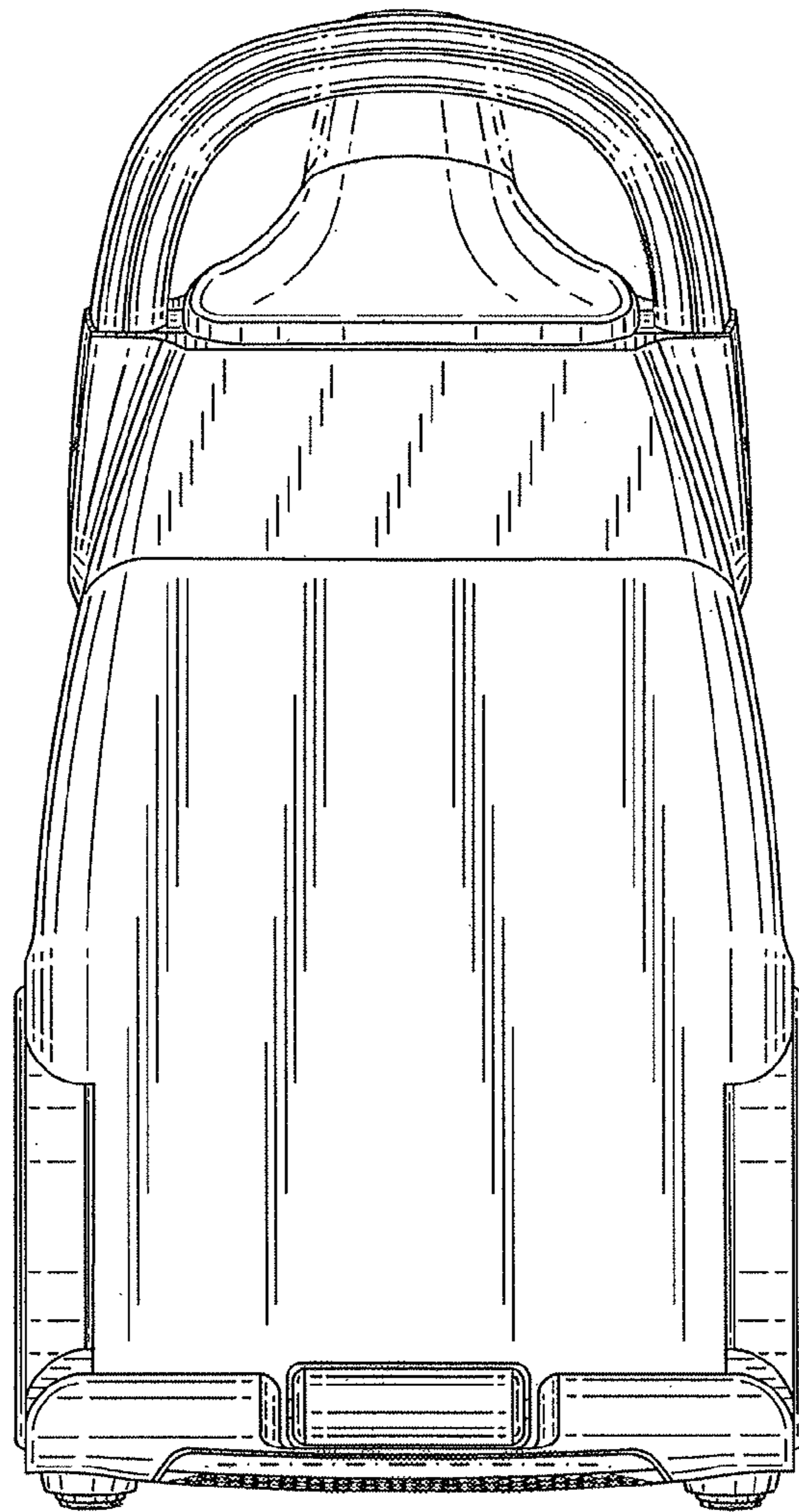


FIG. 7