



US00D653411S

(12) **United States Design Patent**  
**Elliott**

(10) **Patent No.:** **US D653,411 S**  
(45) **Date of Patent:** **\*\* Jan. 31, 2012**

- (54) **NOTCHED BACKPACK FOR DOMESTICATED ANIMALS**
- (75) Inventor: **Kristin V. Elliott**, Victor, NY (US)
- (73) Assignee: **Doodie Pack, LLC**, Victor, NY (US)
- (\*\*) Term: **14 Years**
- (21) Appl. No.: **29/369,929**
- (22) Filed: **Sep. 15, 2010**
- (51) **LOC (9) Cl.** ..... **30-04**
- (52) **U.S. Cl.** ..... **D30/152; D30/144; D30/145**
- (58) **Field of Classification Search** ..... D30/152, D30/144, 151, 153, 154, 145; 119/702, 712, 119/792-798, 758, 760, 769, 770, 784, 815, 119/818, 856, 863, 864, 905, 907, 802, 857, 119/865, 725, 771; D21/805, 804; D3/217, D3/327, 271.2; D29/101.1, 101.5, 101.3; D24/190; D34/28; 54/71  
See application file for complete search history.

(56) **References Cited**

**U.S. PATENT DOCUMENTS**

536,909	A *	4/1895	Banks	.....	222/148
D228,926	S *	10/1973	Bennett	.....	D30/145
4,114,352	A *	9/1978	Horton et al.	.....	54/79.1
4,139,130	A *	2/1979	Glusker et al.	.....	224/148.2
4,355,600	A *	10/1982	Zielinski	.....	119/850
D313,676	S *	1/1991	Indursky et al.	.....	D30/145
5,072,458	A *	12/1991	Suzuki	.....	2/102
5,271,211	A *	12/1993	Newman	.....	54/79.2
5,293,840	A *	3/1994	Wedlick	.....	119/850
D363,572	S *	10/1995	Obenchain	.....	D30/145
5,632,235	A *	5/1997	Larsen et al.	.....	119/856
D383,255	S *	9/1997	Caditz	.....	D30/145
D384,780	S *	10/1997	McLaughlin	.....	D30/152
5,727,720	A *	3/1998	Thatcher	.....	224/664
5,887,772	A *	3/1999	Dooley	.....	224/191
5,901,532	A *	5/1999	Bopp	.....	54/66
5,938,089	A *	8/1999	Abreu-Marston	.....	224/148.5

5,941,199	A *	8/1999	Tamura	.....	119/850
D429,390	S *	8/2000	Grady et al.	.....	D30/152
D429,391	S *	8/2000	Grady et al.	.....	D30/152
6,123,049	A *	9/2000	Slater	.....	119/850
D455,873	S *	4/2002	Constans	.....	D30/145
D457,988	S *	5/2002	Kerrigan	.....	D30/145
6,427,779	B1 *	8/2002	Richman	.....	169/30
6,571,745	B2 *	6/2003	Kerrigan	.....	119/858

(Continued)

*Primary Examiner* — Susan Moon Lee

(74) *Attorney, Agent, or Firm* — Brian B. Shaw, Esq.; Harter Secrest & Emery LLP

(57) **CLAIM**

The ornamental design for a notched backpack for domesticated animals, as shown and described herein.

**DESCRIPTION**

FIG. 1 is a right side perspective view of a notched backpack for domesticated animals in an operable configuration in accordance with the present invention;

FIG. 2 is a left side perspective view thereof;

FIG. 3 is a top plan view of the notched backpack for domesticated animals of FIG. 1 in an open, flat orientation;

FIG. 4 is a left side elevation view of the notched backpack for domesticated animals of FIG. 1;

FIG. 5 is a right side elevation view of the notched backpack for domesticated animals of FIG. 1;

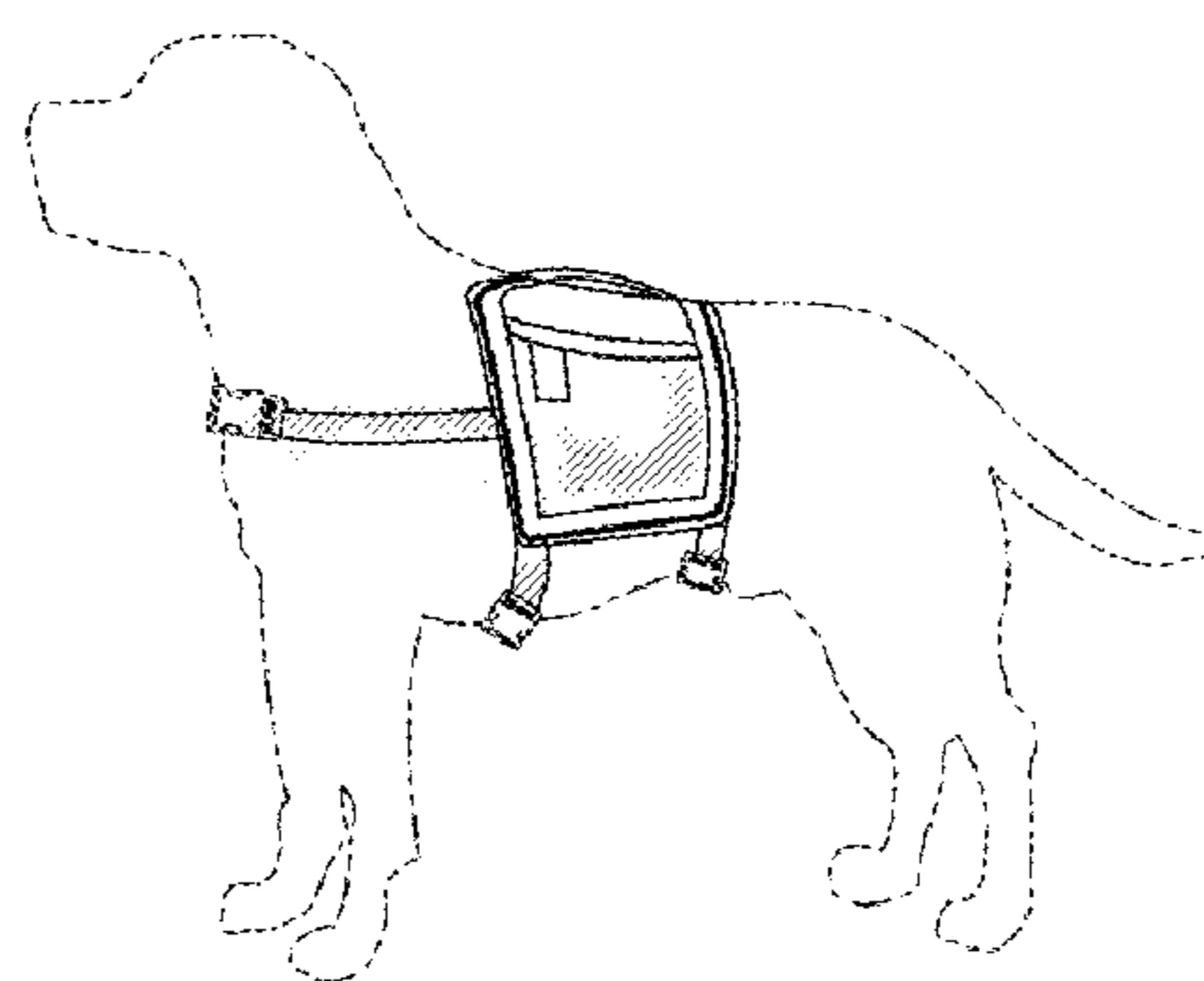
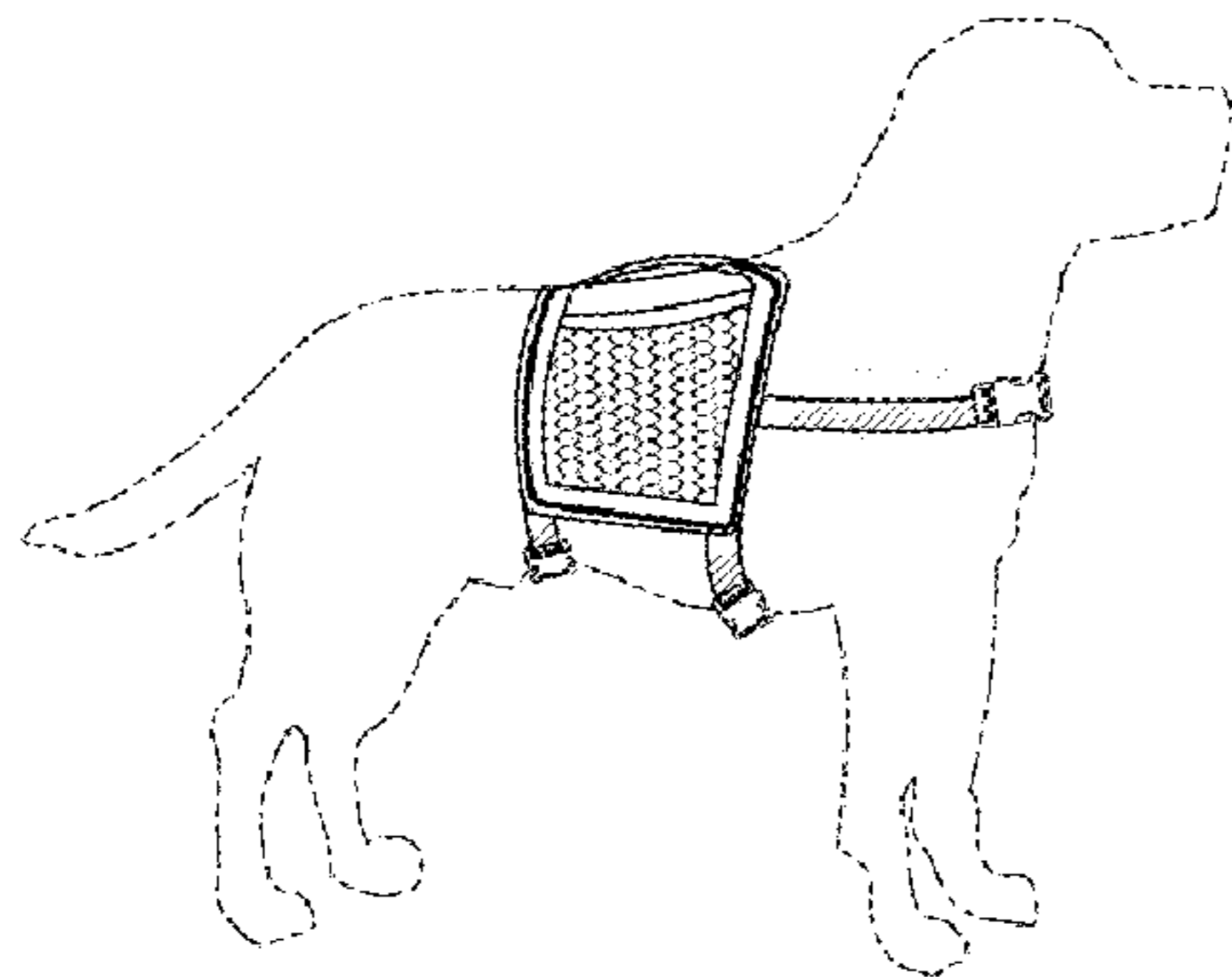
FIG. 6 is a rear elevation view of the notched backpack for domesticated animals of FIG. 1;

FIG. 7 is a front elevation view of the notched backpack for domesticated animals of FIG. 1; and,

FIG. 8 is a bottom plan view of the notched backpack for domesticated animals as shown in FIG. 3.

The profile of the domesticated animal and the buckles shown in broken lines are for illustrative purposes only and do not form any portion of the claimed design.

**1 Claim, 3 Drawing Sheets**



# US D653,411 S

Page 2

## U.S. PATENT DOCUMENTS

D480,843	S *	10/2003	Sullivan	.....	D30/152	2005/0217609	A1 *	10/2005	Dorton et al.	.....	119/792
6,637,367	B1 *	10/2003	Dost et al.	.....	119/28.5	2005/0284418	A1 *	12/2005	Benefiel	.....	119/850
6,679,198	B1 *	1/2004	LaGarde	.....	119/792	2006/0090711	A1 *	5/2006	Richards	.....	119/850
7,121,231	B2 *	10/2006	Benefiel	.....	119/850	2007/0022974	A1 *	2/2007	Aebi	.....	119/795
7,281,363	B2 *	10/2007	Woerner	.....	54/37.1	2009/0031966	A1	2/2009	Kates		
7,370,608	B1 *	5/2008	Friedman	.....	119/850	2009/0039129	A1	2/2009	Peterson-Malesci		
7,410,197	B2 *	8/2008	Edwards	.....	294/1.3	2009/0071414	A1	3/2009	Caputo		
D584,862	S	1/2009	Kemper			2009/0095224	A1	4/2009	Cooper		
D585,606	S *	1/2009	Kennedy	.....	D30/152	2009/0095233	A1	4/2009	Trujillo		
D587,412	S	2/2009	Oka			2009/0145371	A1	6/2009	Kramer		
D587,861	S	3/2009	Miller			2009/0152884	A1	6/2009	Ruscil et al.		
D591,459	S	4/2009	Melerine			2009/0179440	A1	7/2009	Saber		
D592,363	S	5/2009	Price			2009/0205586	A1	8/2009	Matthews		
7,530,334	B1	5/2009	Napolitano			2009/0235871	A1	9/2009	Andreas et al.		
D596,356	S	7/2009	Danieli			2009/0235873	A1	9/2009	Gould et al.		
D597,263	S	7/2009	Nazimek			2009/0235874	A1	9/2009	Sullivan		
7,559,817	B2	7/2009	Von Zell			2009/0250016	A1	10/2009	Stampoultzis		
D599,504	S	9/2009	Halip et al.			2009/0266310	A1	10/2009	Behme		
7,594,482	B1	9/2009	Toplin			2009/0278365	A1	11/2009	Hawks		
7,631,910	B2	12/2009	Shalhoub			2009/0301404	A1	12/2009	Tanaya		
D610,629	S	2/2010	Brown			2009/0320769	A1	12/2009	McCay		
7,658,166	B1	2/2010	Rheinschmidt, Jr. et al.			2010/0006576	A1	1/2010	Berry		
D611,205	S	3/2010	Kirsentals et al.			2010/0018468	A1	1/2010	Rabello		
D612,551	S	3/2010	Calenda			2010/0024744	A1	2/2010	Baillie		
D615,252	S	5/2010	Nunes-Freitas et al.			2010/0031415	A1	2/2010	Shadid		
D615,337	S	5/2010	Sultan			2010/0071628	A1	3/2010	Wells		
7,779,789	B2	8/2010	Tanaya			2010/0084880	A1	4/2010	Avilez et al.		
7,789,441	B1	9/2010	Conway			2010/0126429	A1	5/2010	Lindemann		
D634,488	S *	3/2011	Cohen	.....	D30/145	2010/0154720	A1	6/2010	Handelin		
7,918,192	B1 *	4/2011	Digh et al.	.....	119/850	2010/0161015	A1	6/2010	Wilson et al.		
2004/0079775	A1 *	4/2004	Choi et al.	.....	224/148.2	2010/0199926	A1	8/2010	McCullough et al.		
2004/0128747	A1 *	7/2004	Bumbarger et al.	.....	2/458	2010/0199927	A1	8/2010	Cigard et al.		
2005/0029319	A1 *	2/2005	Robins et al.	.....	224/148.2	2010/0212269	A1	8/2010	Dell'Agnese		
2005/0035160	A1 *	2/2005	Forsman	.....	224/148.2	2010/0231391	A1	9/2010	Dror et al.		
2005/0072376	A1 *	4/2005	Kerrigan	.....	119/850						

\* cited by examiner

FIG. 1

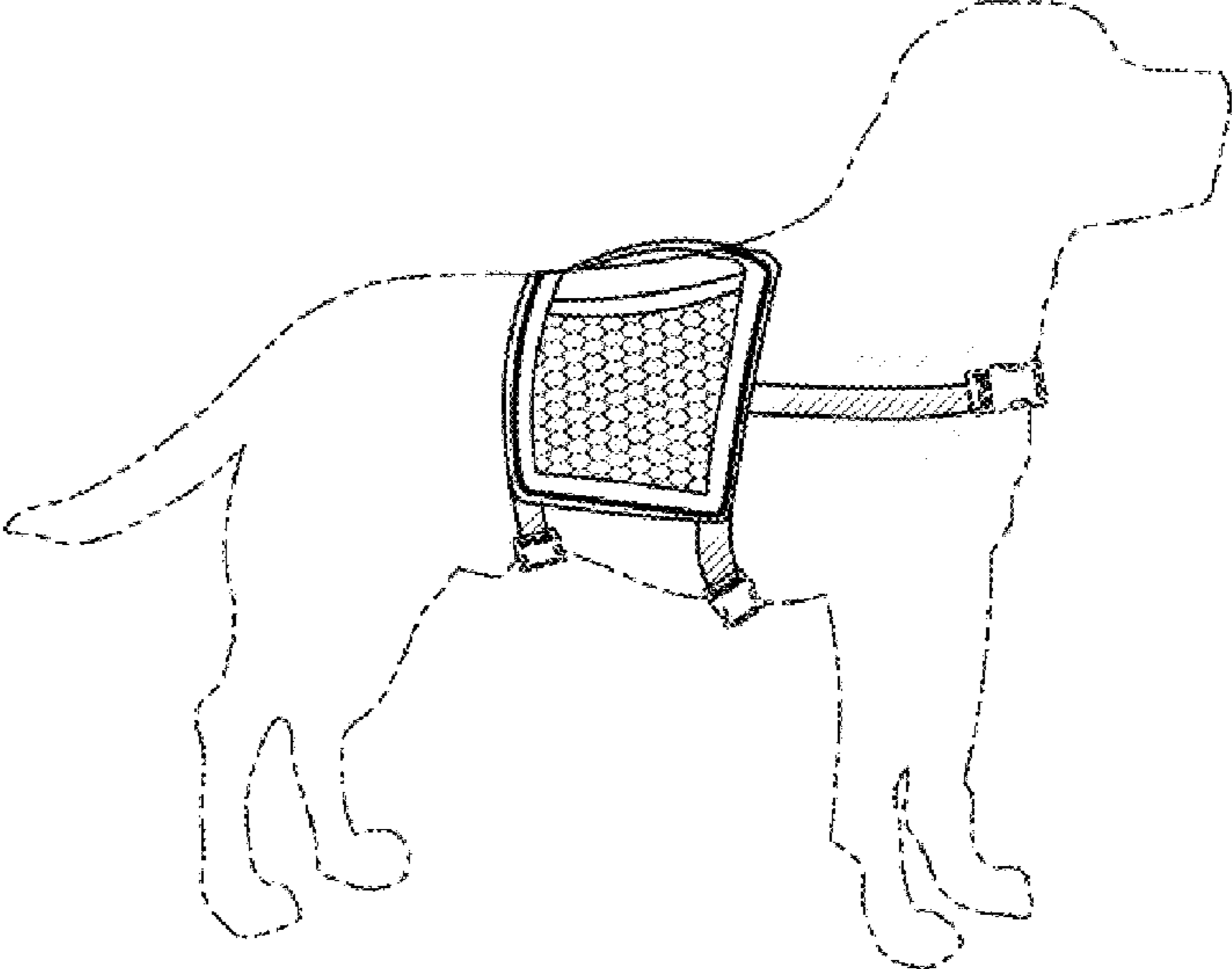
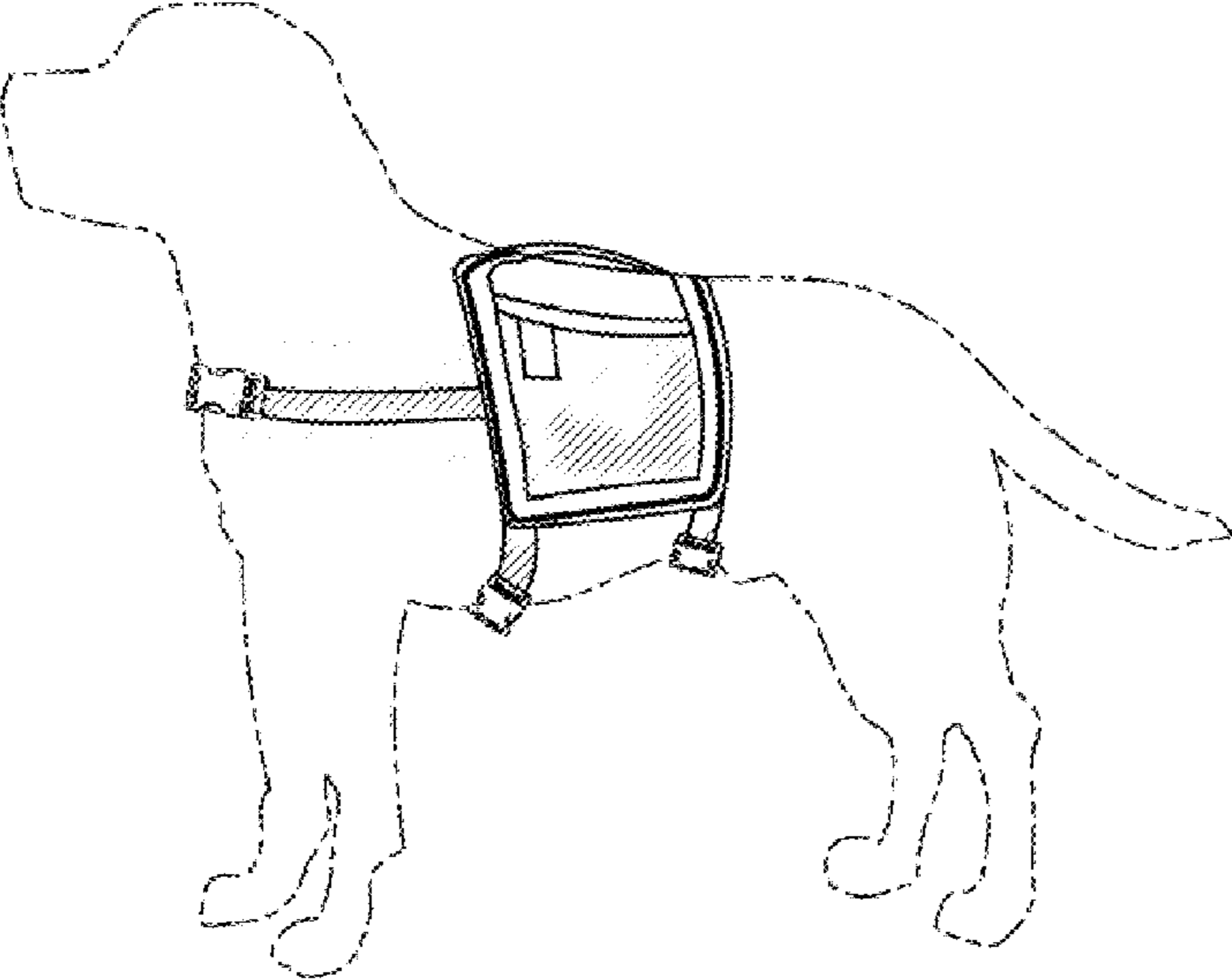


FIG. 2



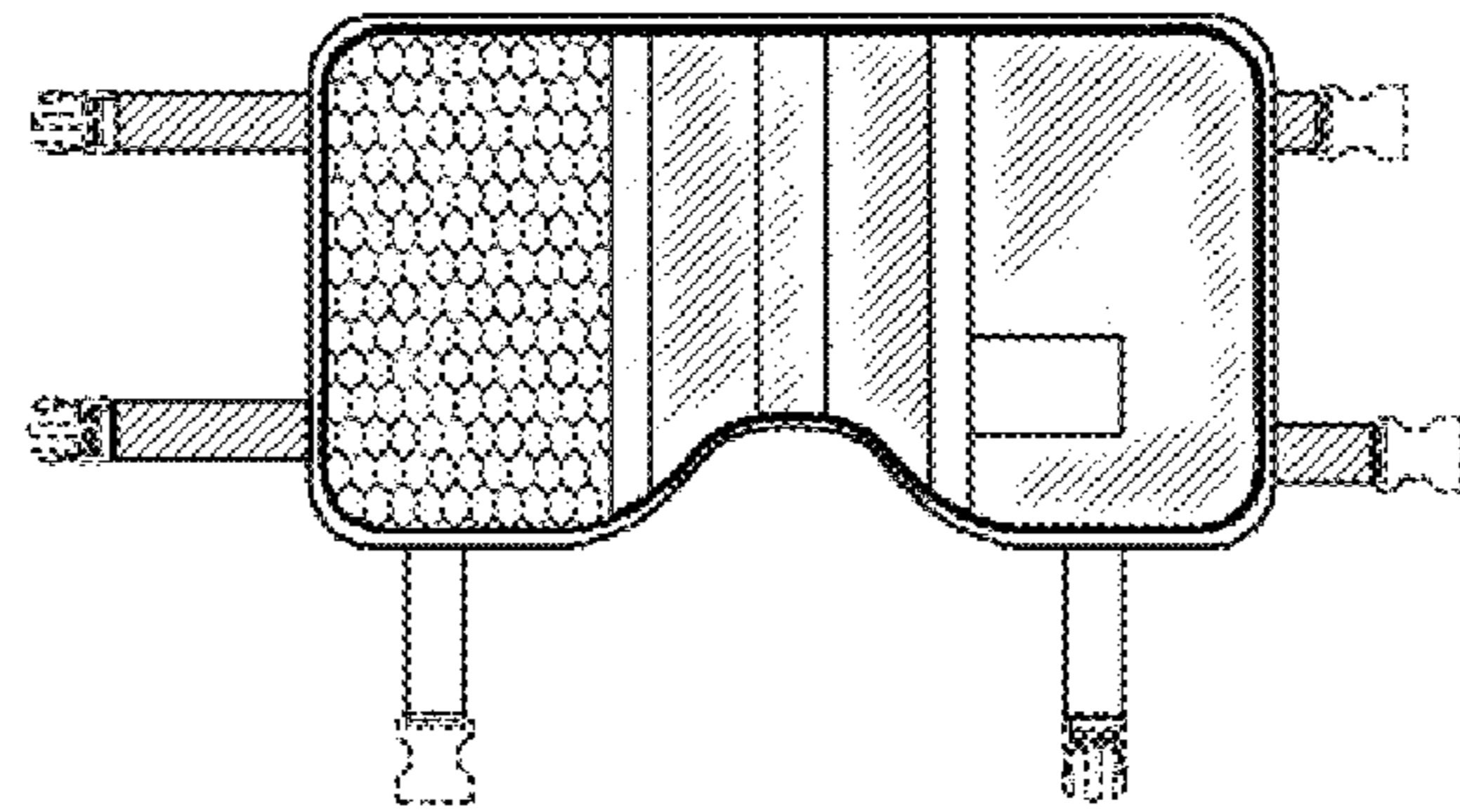


FIG. 3

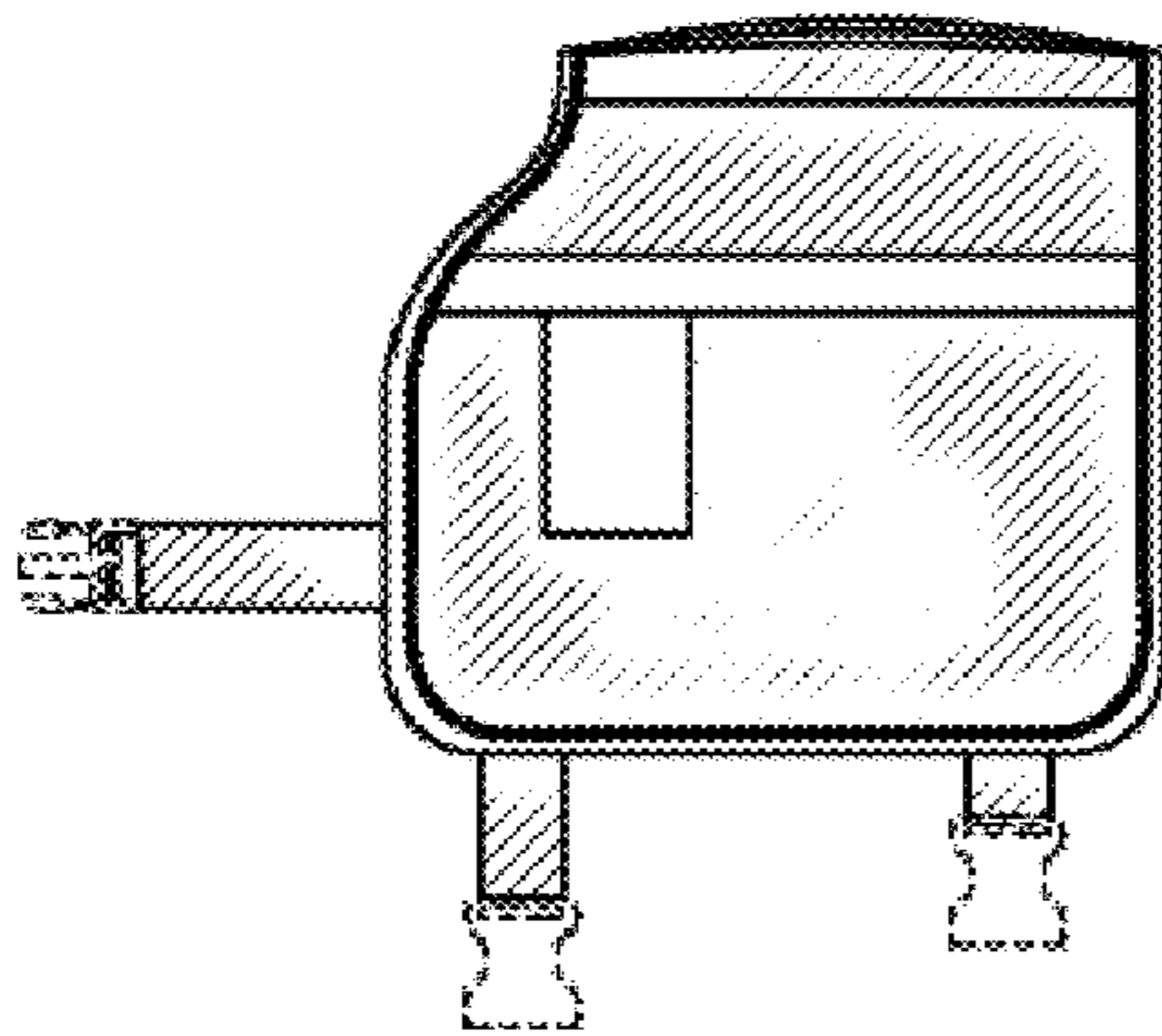
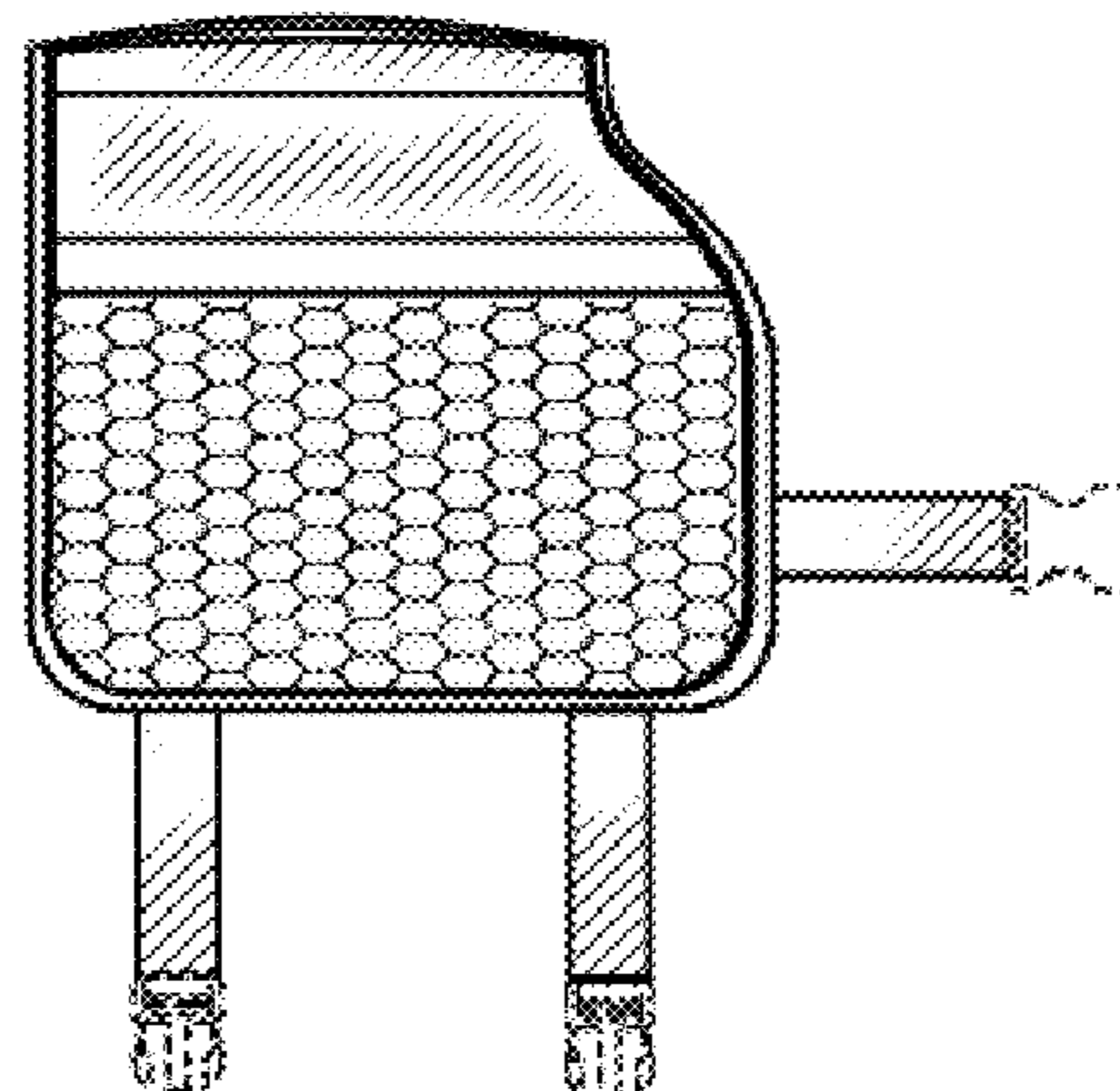


FIG. 4

FIG. 5



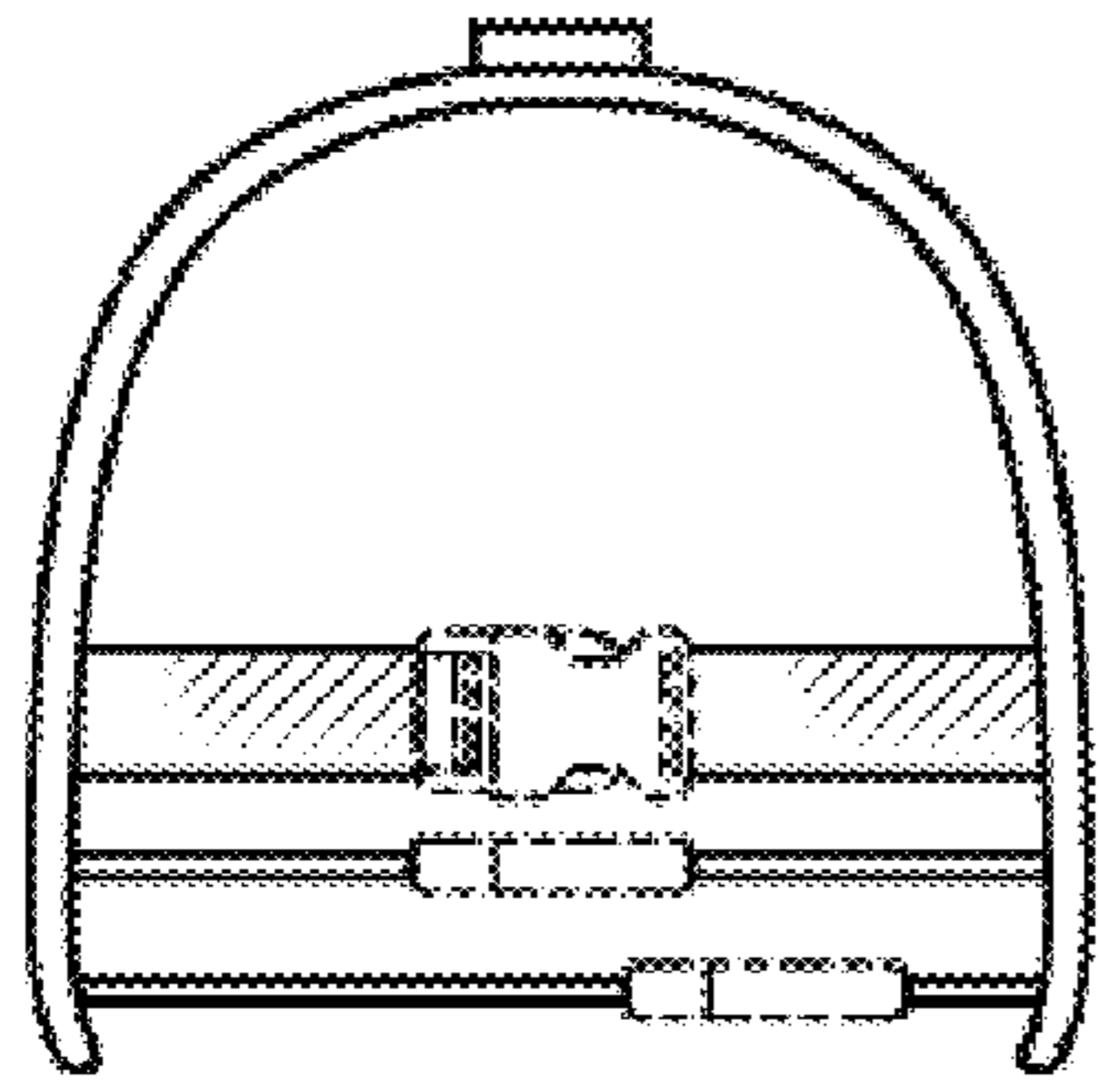


FIG. 6

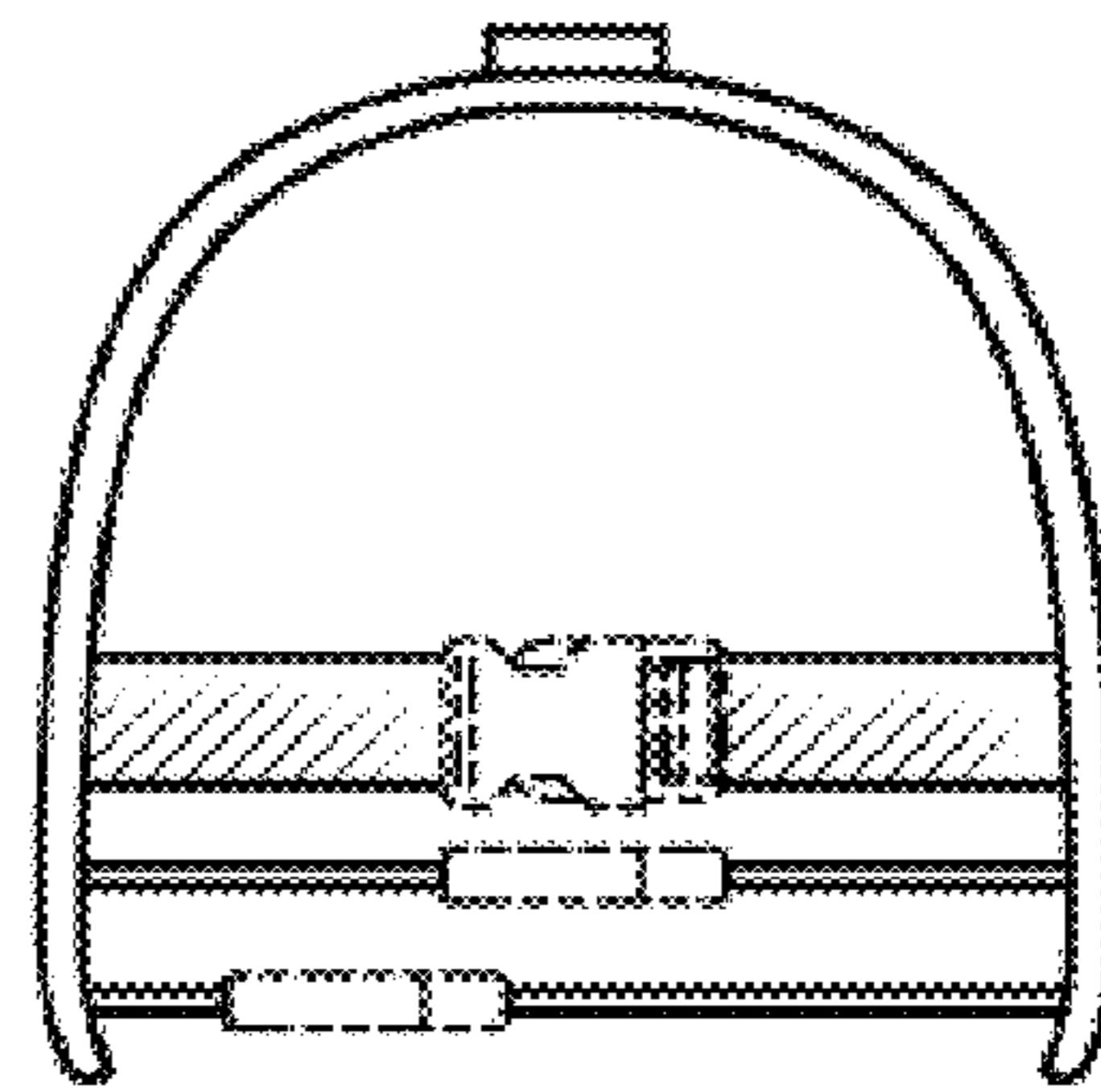


FIG. 7

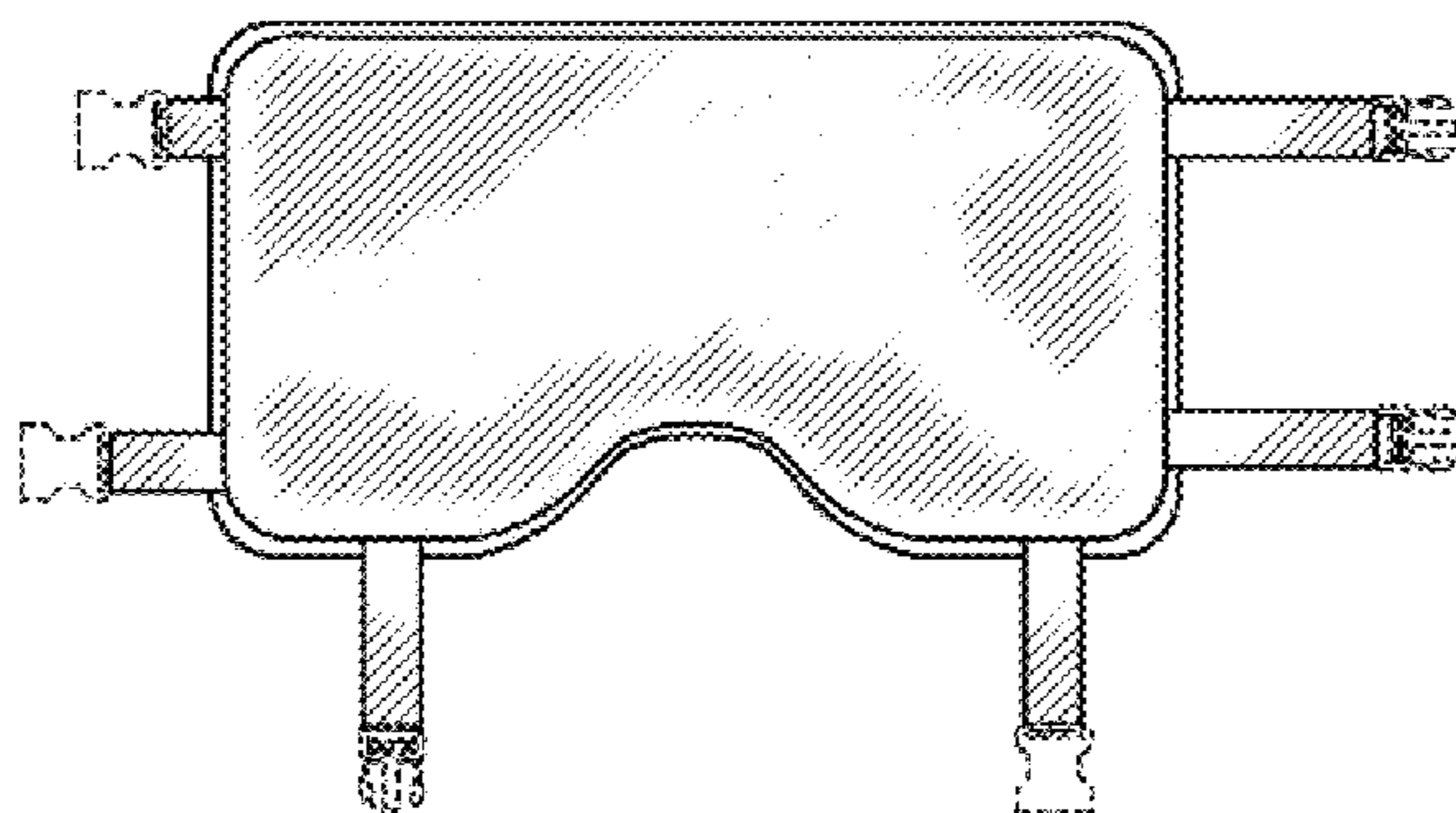


FIG. 8