



US00D653409S

(12) **United States Design Patent**  
**Elliott**

(10) **Patent No.:** **US D653,409 S**  
(45) **Date of Patent:** **\*\* Jan. 31, 2012**

(54) **BACKPACK FOR DOMESTICATED ANIMALS**

(75) Inventor: **Kristin V. Elliott**, Victor, NY (US)

(73) Assignee: **Doodie Pack, LLC**, Victor, NY (US)

(\*\*) Term: **14 Years**

(21) Appl. No.: **29/369,599**

(22) Filed: **Sep. 10, 2010**

(51) **LOC (9) Cl.** ..... **30-04**

(52) **U.S. Cl.** ..... **D30/152; D30/144; D30/145**

(58) **Field of Classification Search** ..... D30/152,  
D30/144, 151, 153, 154, 145; 119/702, 712,  
119/792-798, 758, 760, 769, 770, 784, 815,  
119/818, 856, 863, 864, 905, 907, 802, 857,  
119/865, 725, 771; D21/805, 804; D3/217,  
D3/327, 271.2; D29/101.1, 101.5, 101.3;  
D24/190; D34/28; 54/71

See application file for complete search history.

(56) **References Cited**

**U.S. PATENT DOCUMENTS**

536,909	A *	4/1895	Banks	.....	222/148
D228,926	S *	10/1973	Bennett	.....	D30/145
4,114,352	A *	9/1978	Horton et al.	.....	54/79.1
4,139,130	A *	2/1979	Glusker et al.	.....	224/148.2
4,355,600	A *	10/1982	Zielinski	.....	119/850
D313,676	S *	1/1991	Indursky et al.	.....	D30/145
5,072,458	A *	12/1991	Suzuki	.....	2/102
5,271,211	A *	12/1993	Newman	.....	54/79.2
5,293,840	A *	3/1994	Wedlick	.....	119/850
D363,572	S *	10/1995	Obenchain	.....	D30/145
5,632,235	A *	5/1997	Larsen et al.	.....	119/856
D383,255	S *	9/1997	Caditz	.....	D30/145
D384,780	S *	10/1997	McLaughlin	.....	D30/152
5,727,720	A *	3/1998	Thatcher	.....	224/664
5,887,772	A *	3/1999	Dooley	.....	224/191
5,901,532	A *	5/1999	Bopp	.....	54/66
5,938,089	A *	8/1999	Abreu-Marston	.....	224/148.5
5,941,199	A *	8/1999	Tamura	.....	119/850

D429,390	S *	8/2000	Grady et al.	.....	D30/152
D429,391	S *	8/2000	Grady et al.	.....	D30/152
6,123,049	A *	9/2000	Slater	.....	119/850
D455,873	S *	4/2002	Constans	.....	D30/145
D457,988	S *	5/2002	Kerrigan	.....	D30/145
6,427,779	B1 *	8/2002	Richman	.....	169/30
6,571,745	B2 *	6/2003	Kerrigan	.....	119/858
D480,843	S *	10/2003	Sullivan	.....	D30/152

(Continued)

*Primary Examiner* — Susan Moon Lee

(74) *Attorney, Agent, or Firm* — Brian B. Shaw, Esq.; Harter Secrest & Emery LLP

(57) **CLAIM**

The ornamental design for a backpack for domesticated animals, as shown and described herein.

**DESCRIPTION**

FIG. 1 is a right side perspective view of a backpack for domesticated animals in an operable configuration in accordance with the present invention;

FIG. 2 is a left side perspective view thereof;

FIG. 3 is a top plan view of the backpack for domesticated animals of FIG. 1 in an open, flat orientation;

FIG. 4 is a left side elevation view of the backpack for domesticated animals of FIG. 1;

FIG. 5 is a right side elevation view of the backpack for domesticated animals of FIG. 1;

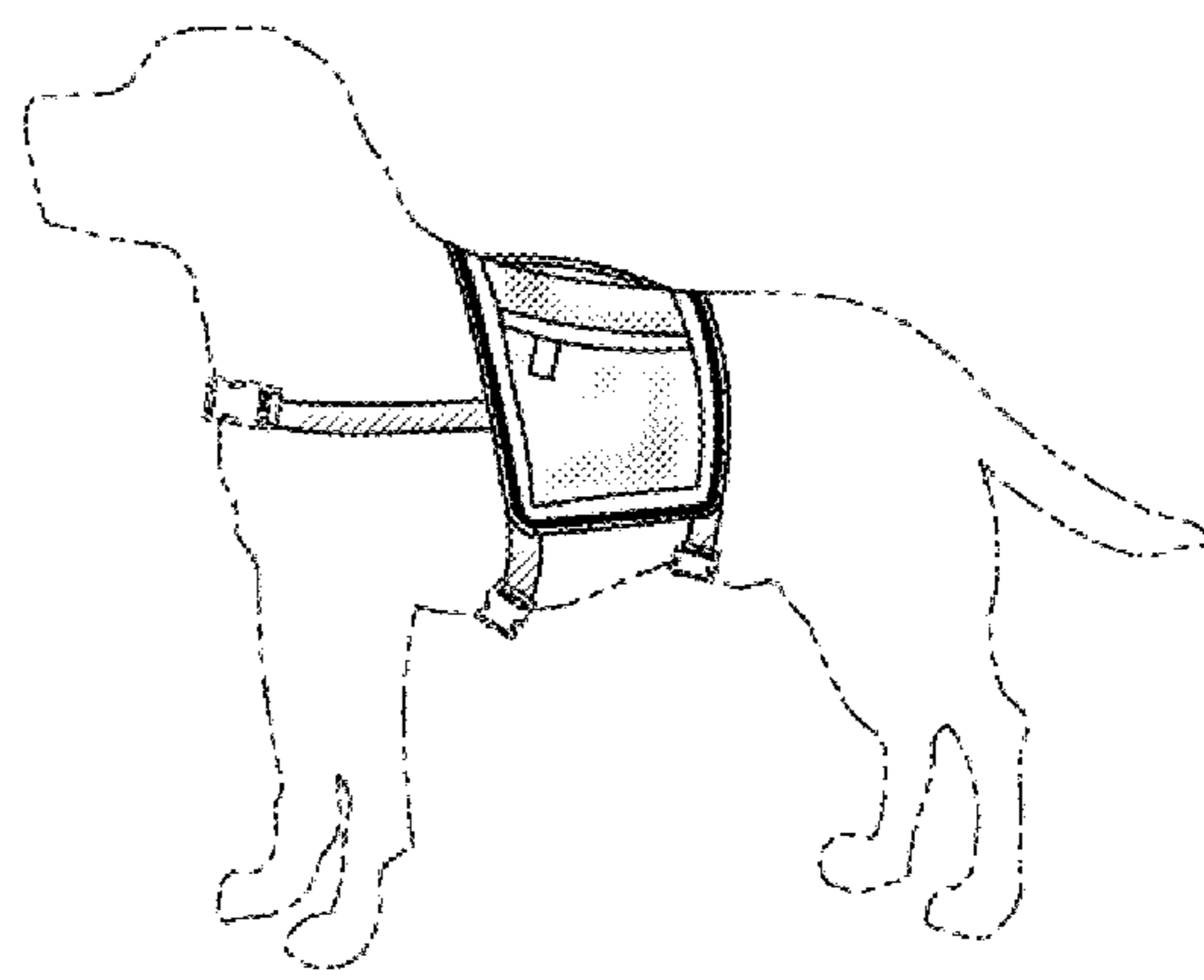
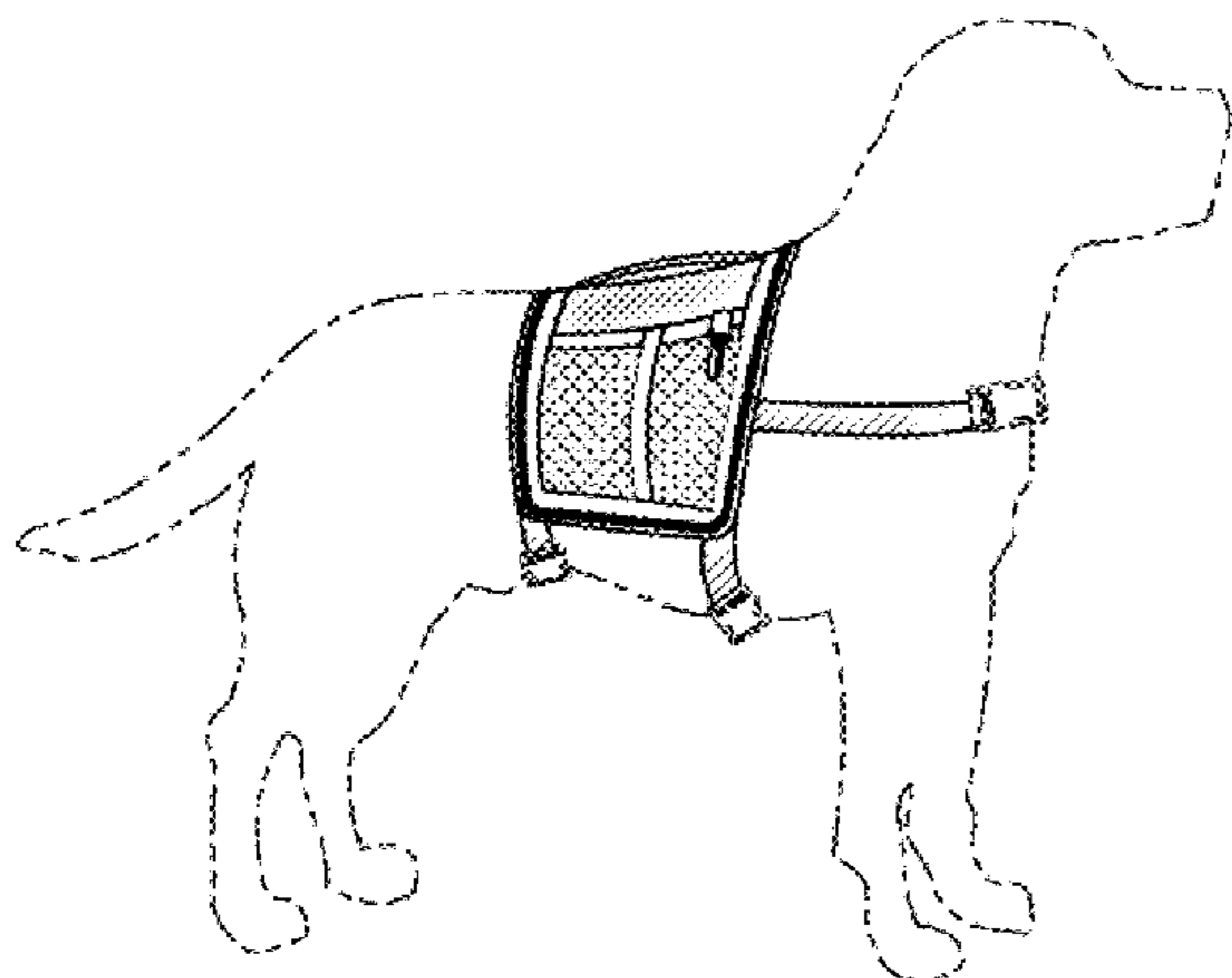
FIG. 6 is a rear elevation view of the backpack for domesticated animals of FIG. 1;

FIG. 7 is a front elevation view of the backpack for domesticated animals of FIG. 1; and,

FIG. 8 is a bottom plan view of the backpack for domesticated animals as shown in FIG. 3.

The profile of the domesticated animal and the buckles shown in broken lines are for illustrative purposes only and do not form any portion of the claimed design.

**1 Claim, 3 Drawing Sheets**



# US D653,409 S

Page 2

## U.S. PATENT DOCUMENTS

6,637,367	B1 *	10/2003	Dost et al. ....	119/28.5	
6,679,198	B1 *	1/2004	LaGarde .....	119/792	
7,121,231	B2 *	10/2006	Benefiel .....	119/850	
7,281,363	B2 *	10/2007	Woerner .....	54/37.1	
7,370,608	B1 *	5/2008	Friedman .....	119/850	
7,410,197	B2 *	8/2008	Edwards .....	294/1.3	
D584,862	S	1/2009	Kemper		
D585,606	S *	1/2009	Kennedy .....	D30/152	
D587,412	S	2/2009	Oka		
D587,861	S	3/2009	Miller		
D591,459	S	4/2009	Melerine		
D592,363	S	5/2009	Price		
7,530,334	B1	5/2009	Napolitano		
D596,356	S	7/2009	Danieli		
D597,263	S	7/2009	Nazimek		
7,559,817	B2	7/2009	Von Zell		
D599,504	S	9/2009	Halip et al.		
7,594,482	B1	9/2009	Toplin		
7,631,910	B2	12/2009	Shalhoub		
D610,629	S	2/2010	Brown		
7,658,166	B1	2/2010	Rheinschmidt, Jr. et al.		
D611,205	S	3/2010	Kirsentals et al.		
D612,551	S	3/2010	Calenda		
D615,252	S	5/2010	Nunes-Freitas et al.		
D615,337	S	5/2010	Sultan		
7,779,789	B2	8/2010	Tanaya		
7,789,441	B1	9/2010	Conway		
D634,488	S *	3/2011	Cohen .....	D30/145	
7,918,192	B1 *	4/2011	Digh et al. ....	119/850	
2004/0079775	A1 *	4/2004	Choi et al. ....	224/148.2	
2004/0128747	A1 *	7/2004	Bumbarger et al. ....	2/458	
2005/0029319	A1 *	2/2005	Robins et al. ....	224/148.2	
2005/0035160	A1 *	2/2005	Forsman .....	224/148.2	
2005/0072376	A1 *	4/2005	Kerrigan .....	119/850	
			2005/0217609	A1 *	10/2005 Dorton et al. .... 119/792
			2005/0284418	A1 *	12/2005 Benefiel .....
			2006/0090711	A1 *	5/2006 Richards .....
			2007/0022974	A1 *	2/2007 Aebi .....
			2009/0031966	A1	2/2009 Kates
			2009/0039129	A1	2/2009 Peterson-Malesci
			2009/0071414	A1	3/2009 Caputo
			2009/0095224	A1	4/2009 Cooper
			2009/0095233	A1	4/2009 Trujillo
			2009/0145371	A1	6/2009 Kramer
			2009/0152884	A1	6/2009 Ruscil et al.
			2009/0179440	A1	7/2009 Saber
			2009/0205586	A1	8/2009 Matthews
			2009/0235871	A1	9/2009 Andreas et al.
			2009/0235873	A1	9/2009 Gould et al.
			2009/0235874	A1	9/2009 Sullivan
			2009/0250016	A1	10/2009 Stampoultzis
			2009/0266310	A1	10/2009 Behme
			2009/0278365	A1	11/2009 Hawks
			2009/0301404	A1	12/2009 Tanaya
			2009/0320769	A1	12/2009 McCay
			2010/0006576	A1	1/2010 Berry
			2010/0018468	A1	1/2010 Rabello
			2010/0024744	A1	2/2010 Baillie
			2010/0031415	A1	2/2010 Shadid
			2010/0071628	A1	3/2010 Wells
			2010/0084880	A1	4/2010 Avilez et al.
			2010/0126429	A1	5/2010 Lindemann
			2010/0154720	A1	6/2010 Handelin
			2010/0161015	A1	6/2010 Wilson et al.
			2010/0199926	A1	8/2010 Mccullough et al.
			2010/0199927	A1	8/2010 Cigard et al.
			2010/0212269	A1	8/2010 Dell' Agnese
			2010/0231391	A1	9/2010 Dror et al.

\* cited by examiner

FIG. 1

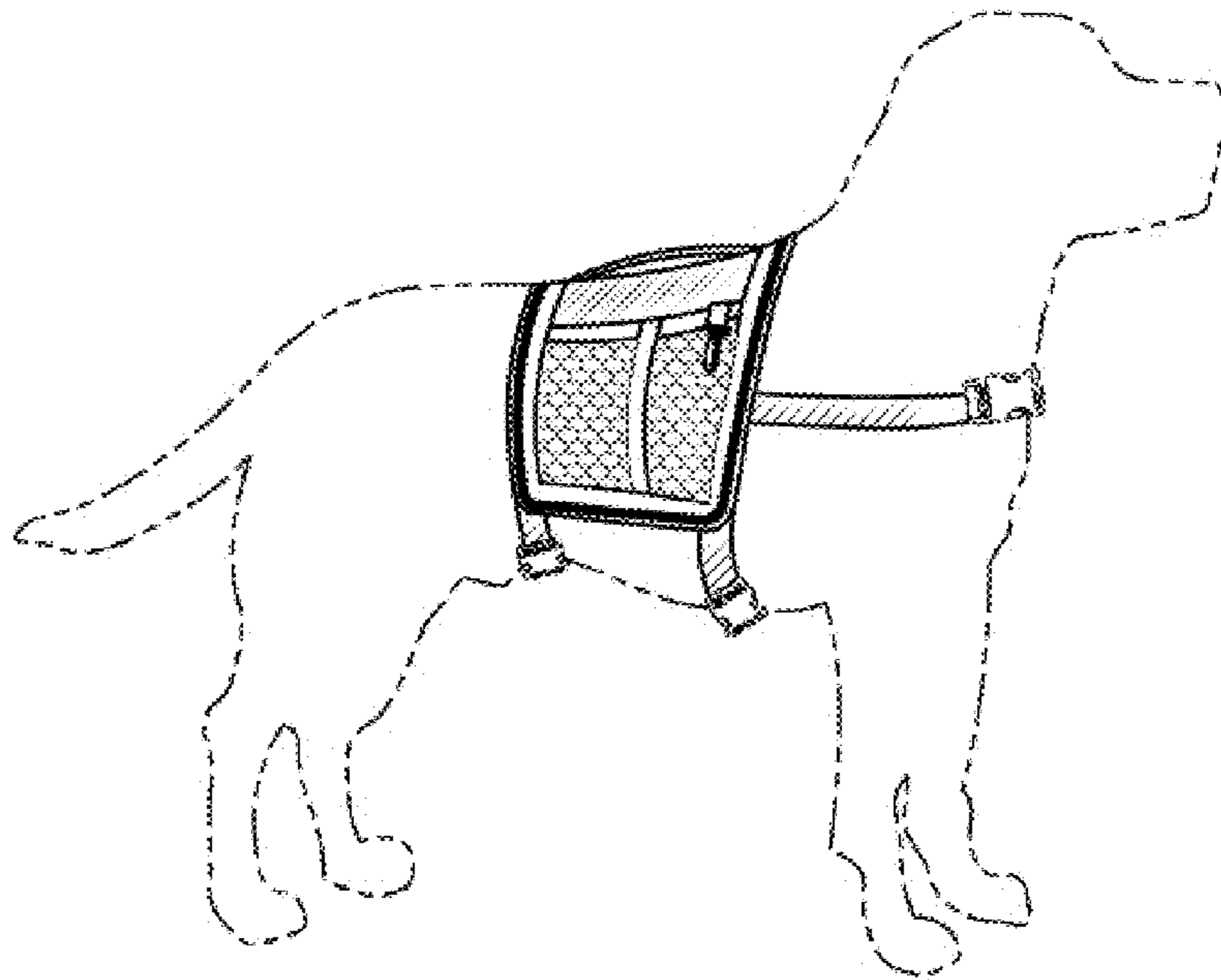
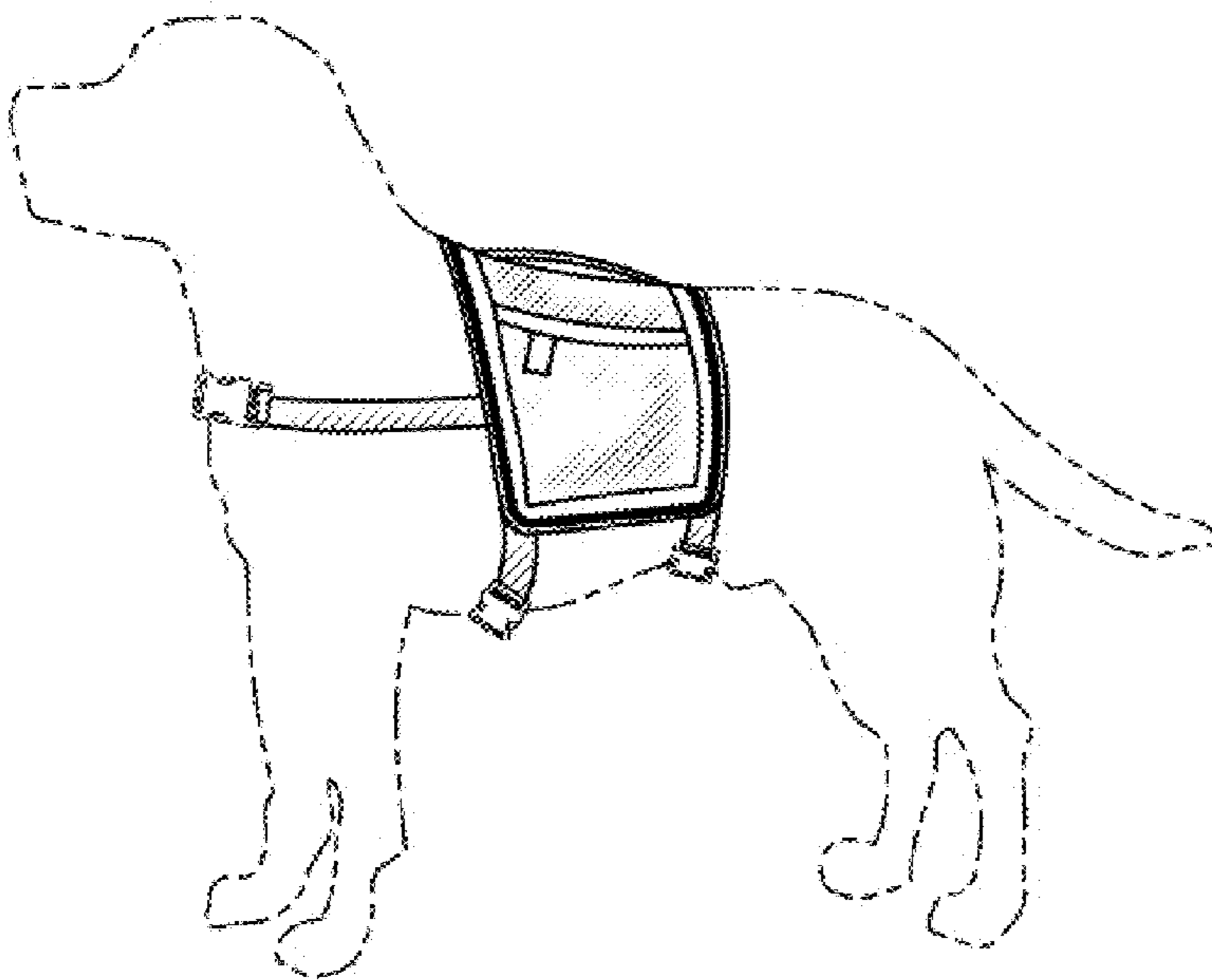


FIG. 2



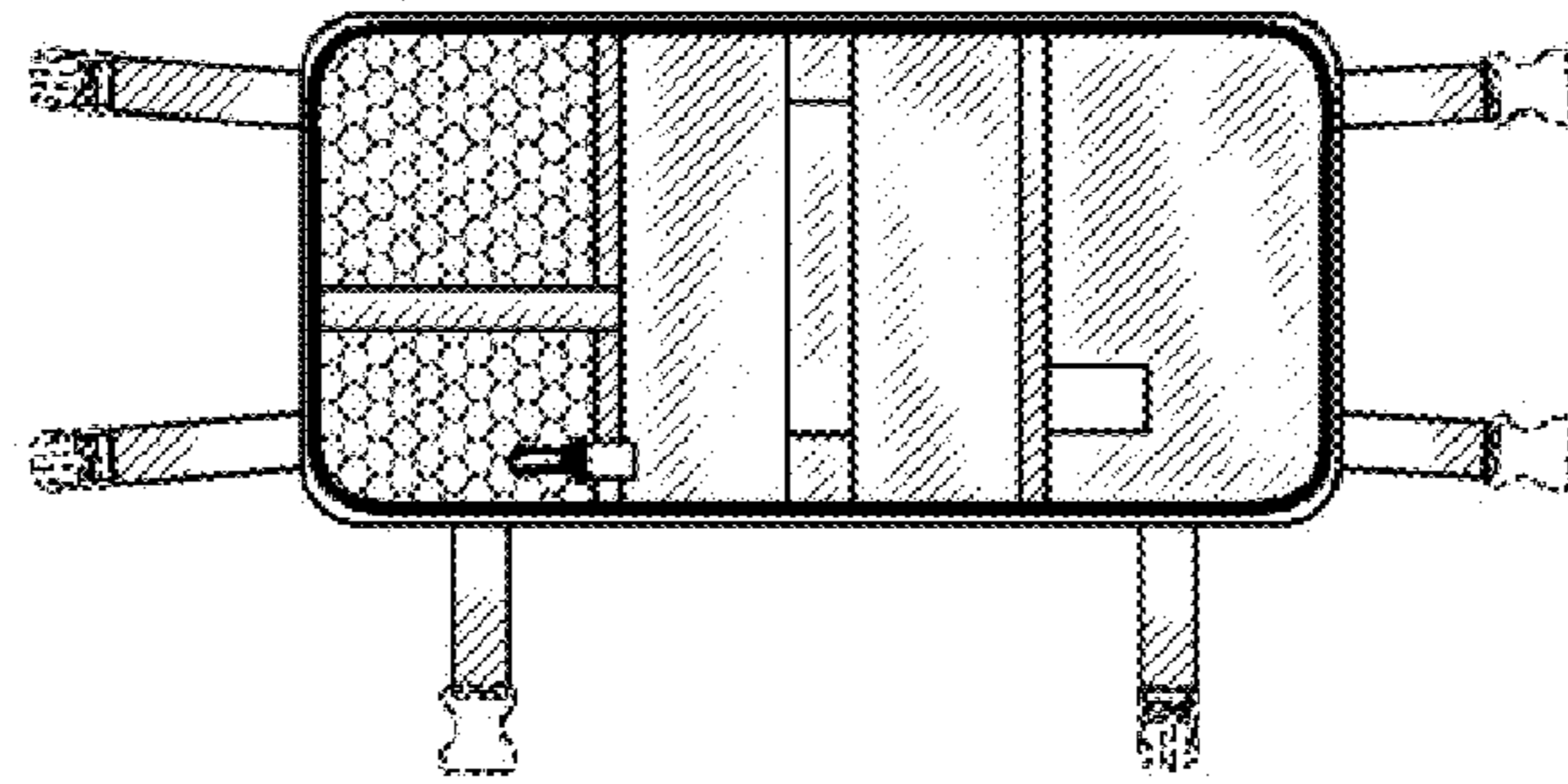


FIG. 3

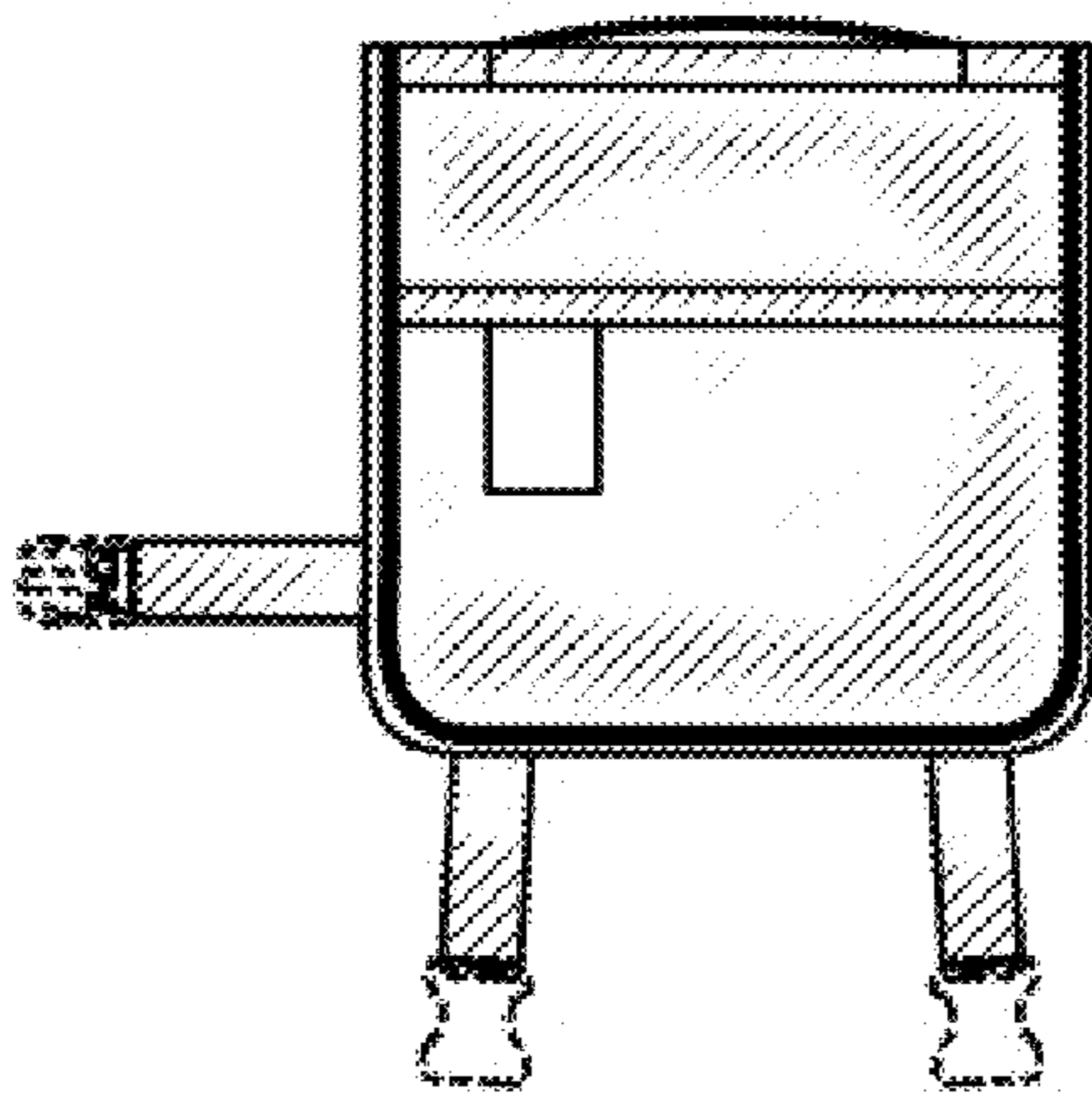
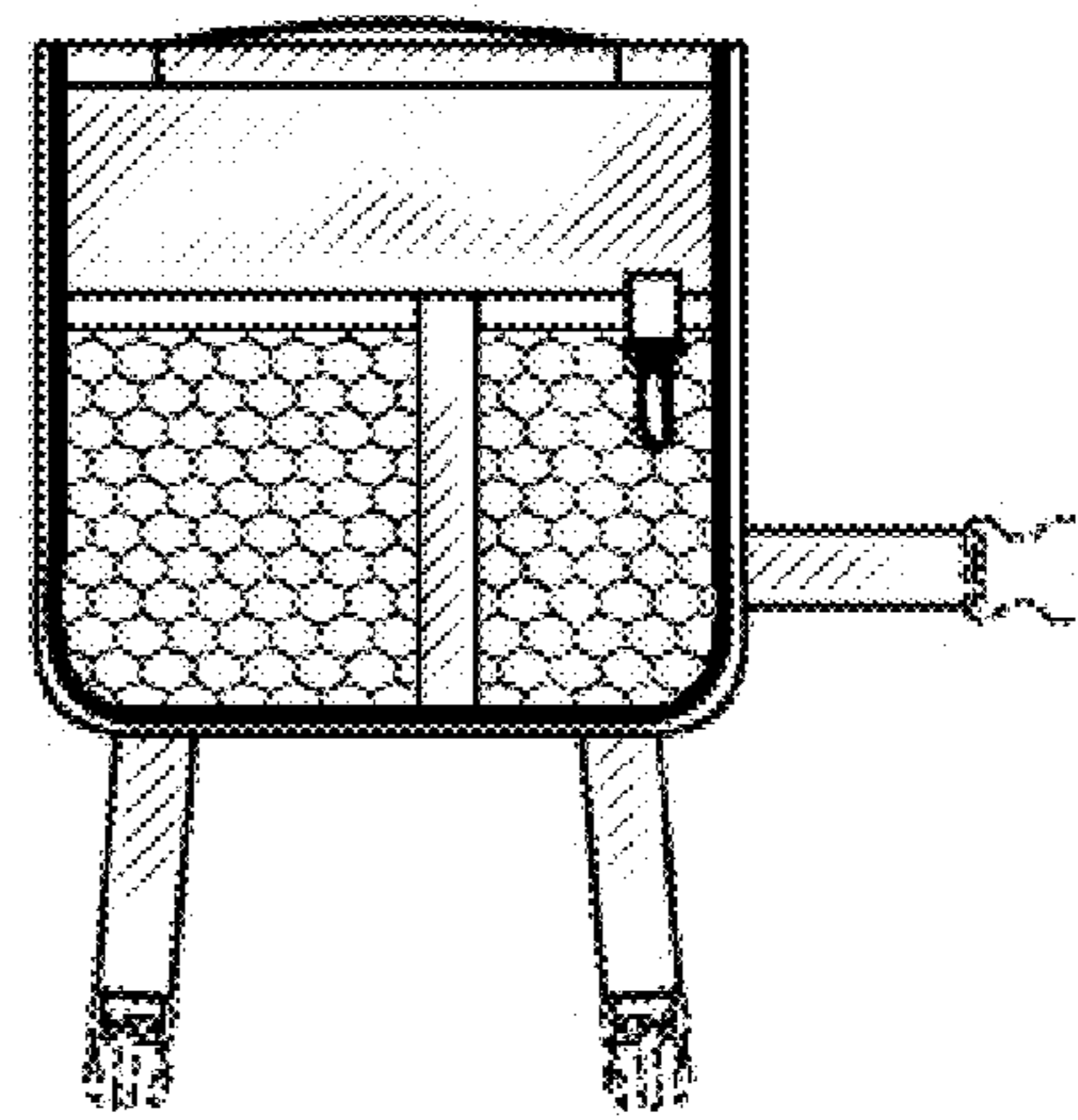


FIG. 4

FIG. 5



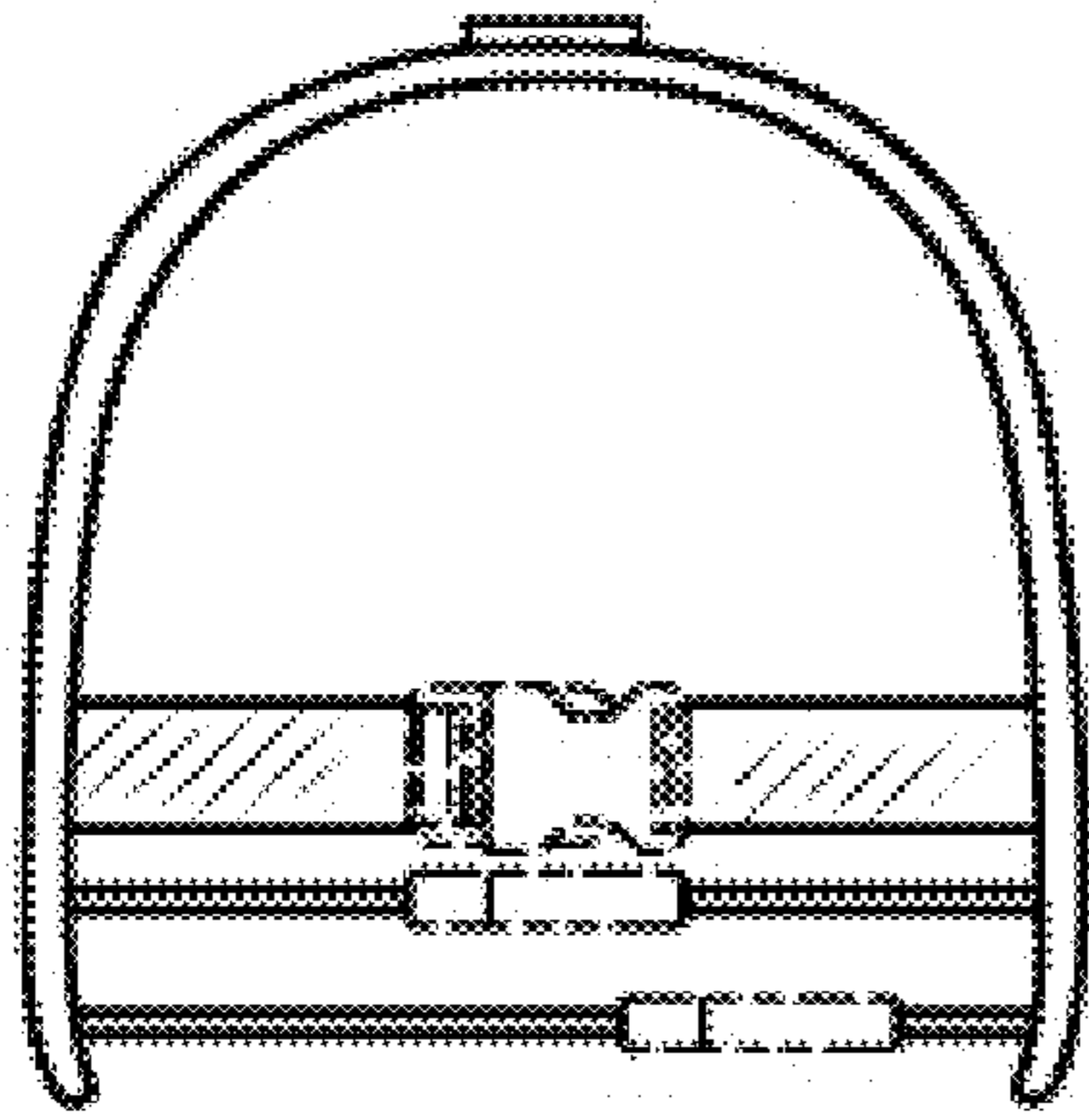


FIG. 6

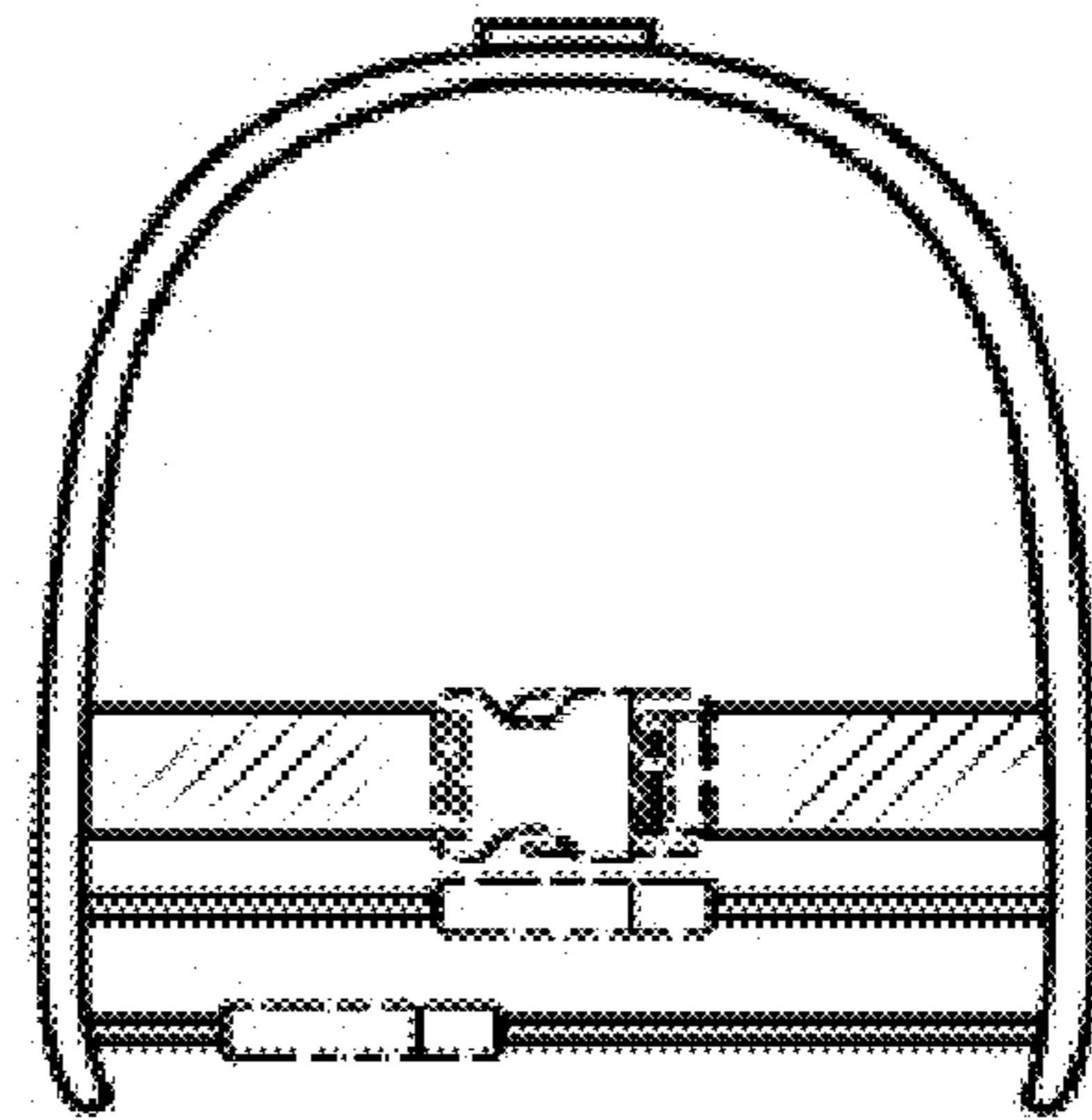


FIG. 7

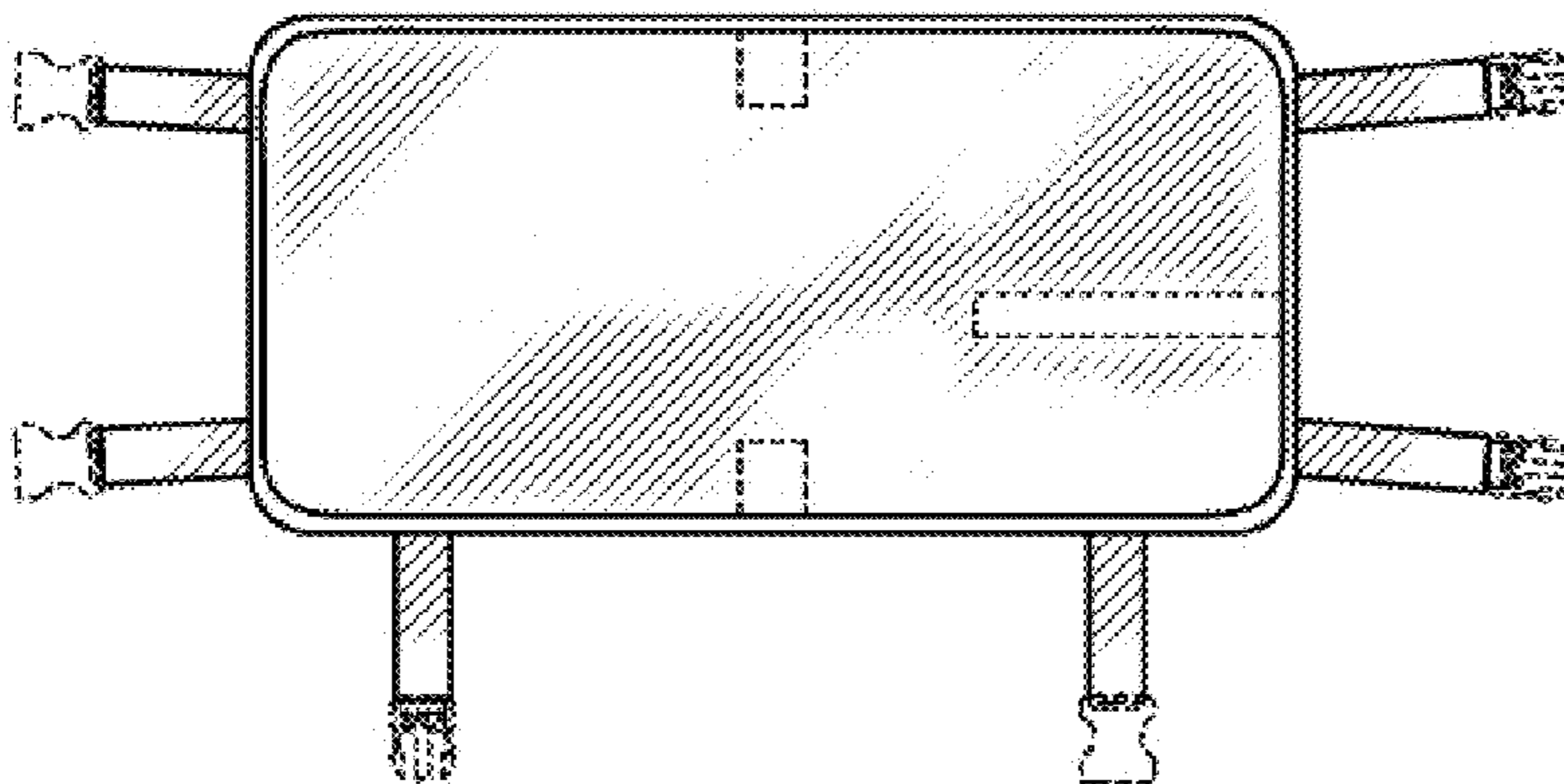


FIG. 8